



US00D511163S

(12) **United States Design Patent**  
**Su et al.**

(10) **Patent No.:** **US D511,163 S**  
(45) **Date of Patent:** **\*\* Nov. 1, 2005**

(54) **COMPUTER ENCLOSURE**

D418,490 S \* 1/2000 Jobs et al. .... D14/351  
D485,268 S \* 1/2004 Andre et al. .... D14/349

(75) Inventors: **Tao Su**, Shenzhen (CN); **Chun-Chi Liang**, Tu-Chen (TW); **Yun-Dong Xu**, Shenzhen (CN)

\* cited by examiner

(73) Assignee: **Hon Hai Precision Ind. Co., Ltd.**, Taipei Hsien (TW)

*Primary Examiner*—Freda S. Nunn  
(74) *Attorney, Agent, or Firm*—Wei Te Chung

(\*\*) Term: **14 Years**

(57) **CLAIM**

(21) Appl. No.: **29/212,452**

The ornamental design for a computer enclosure, as shown and described.

(22) Filed: **Aug. 31, 2004**

**DESCRIPTION**

(30) **Foreign Application Priority Data**

Jun. 4, 2004 (CN) ..... 200430042162

FIG. 1 is a perspective view of a computer enclosure of our new design;

(51) **LOC (8) Cl.** ..... **14-02**

FIG. 2 is a front elevational view thereof;

(52) **U.S. Cl.** ..... **D14/349**

FIG. 3 is a rear elevational view thereof;

(58) **Field of Search** ..... D14/300, 301, D14/308, 313, 314, 348, 349, 351-356, 361-368; D13/162, 184, 199; 360/99.01-99.12; 361/680-686, 690-696; 369/34.01, 36.01

FIG. 4 is a left side elevational view thereof;

FIG. 5 is a right side elevational view thereof;

FIG. 6 is a top plan view thereof; and,

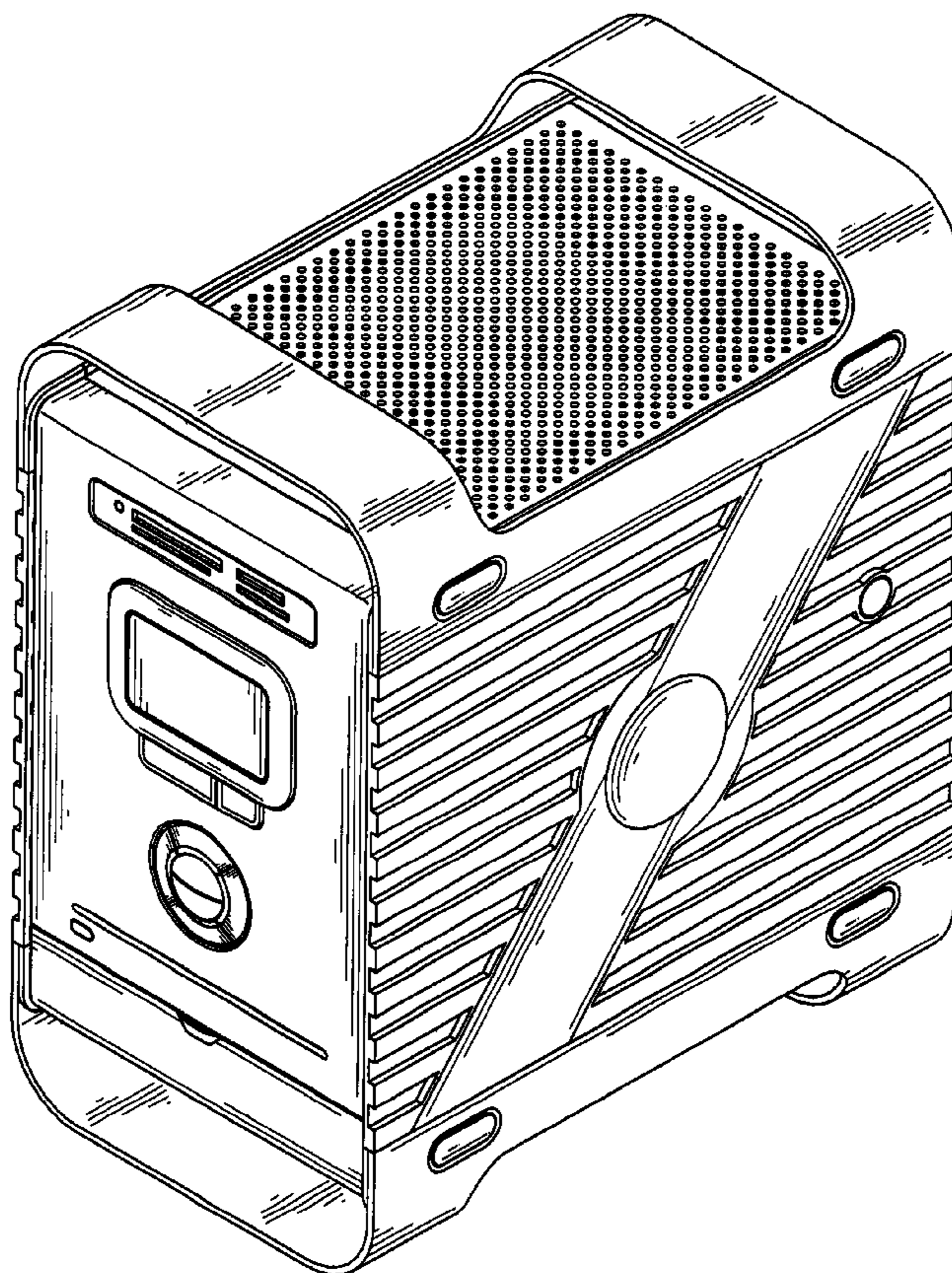
FIG. 7 is a bottom plan view thereof.

(56) **References Cited**

**U.S. PATENT DOCUMENTS**

D364,148 S \* 11/1995 Jasinski et al. .... D14/349

**1 Claim, 7 Drawing Sheets**



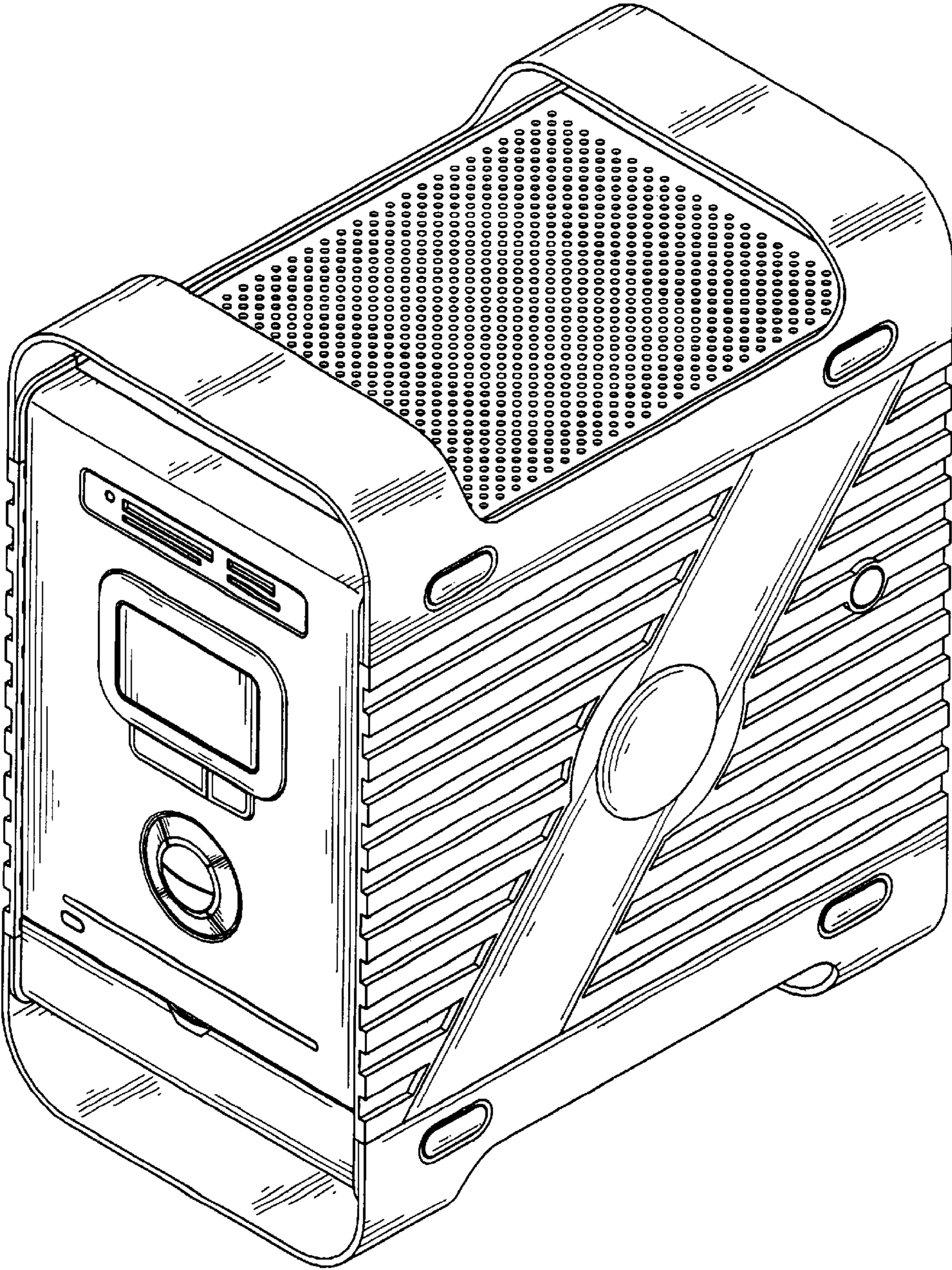


FIG. 1

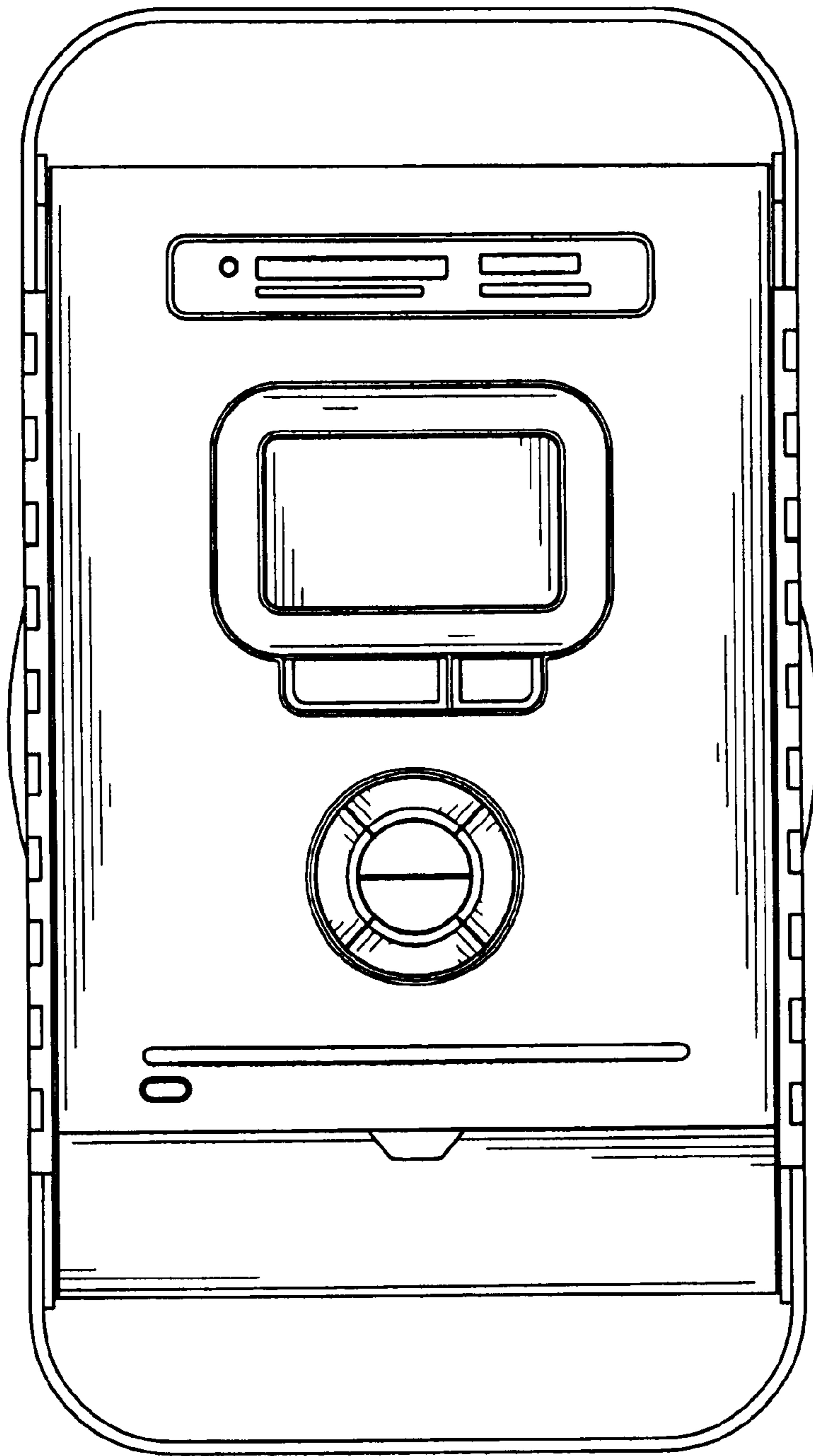


FIG. 2

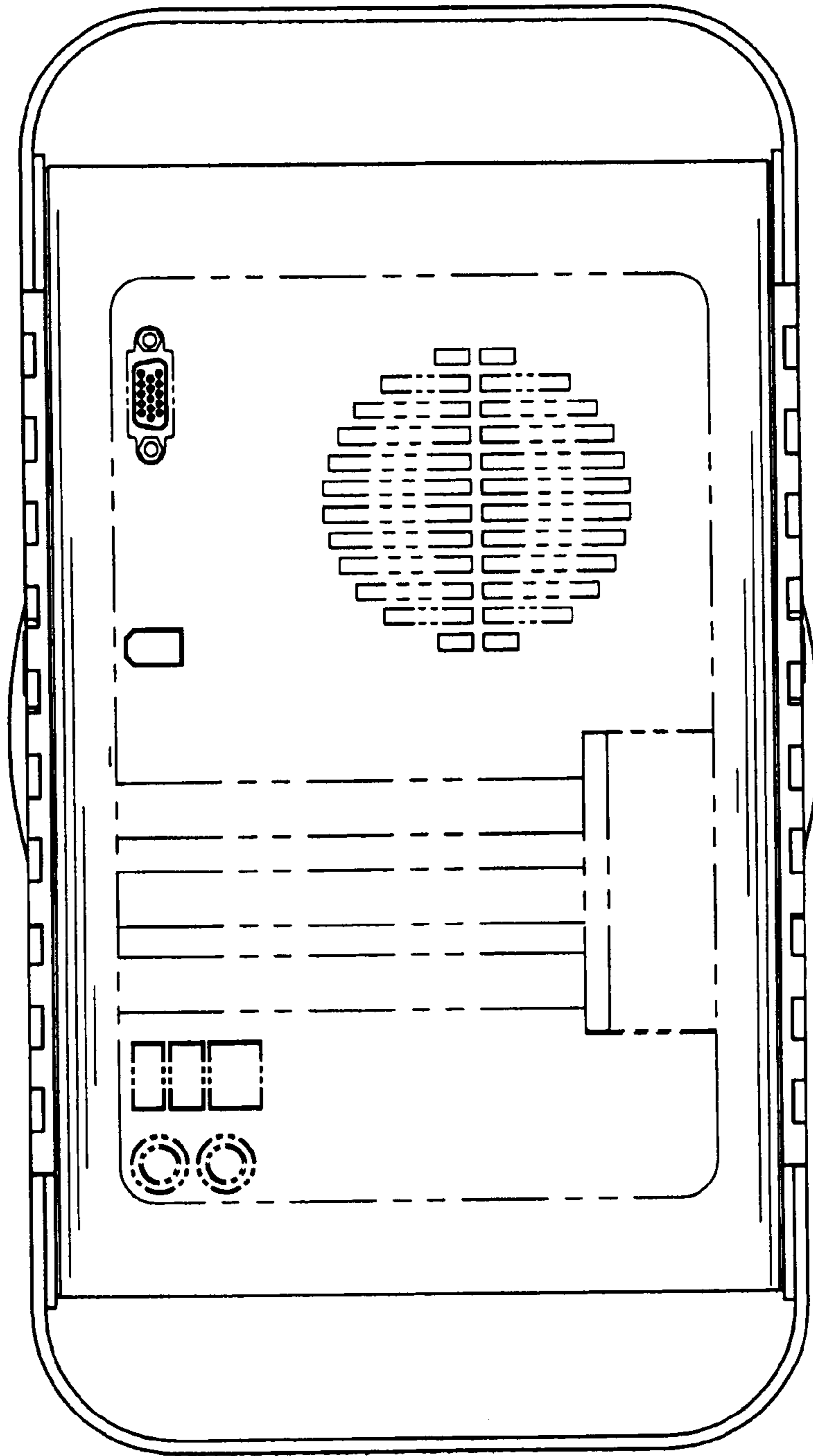


FIG. 3

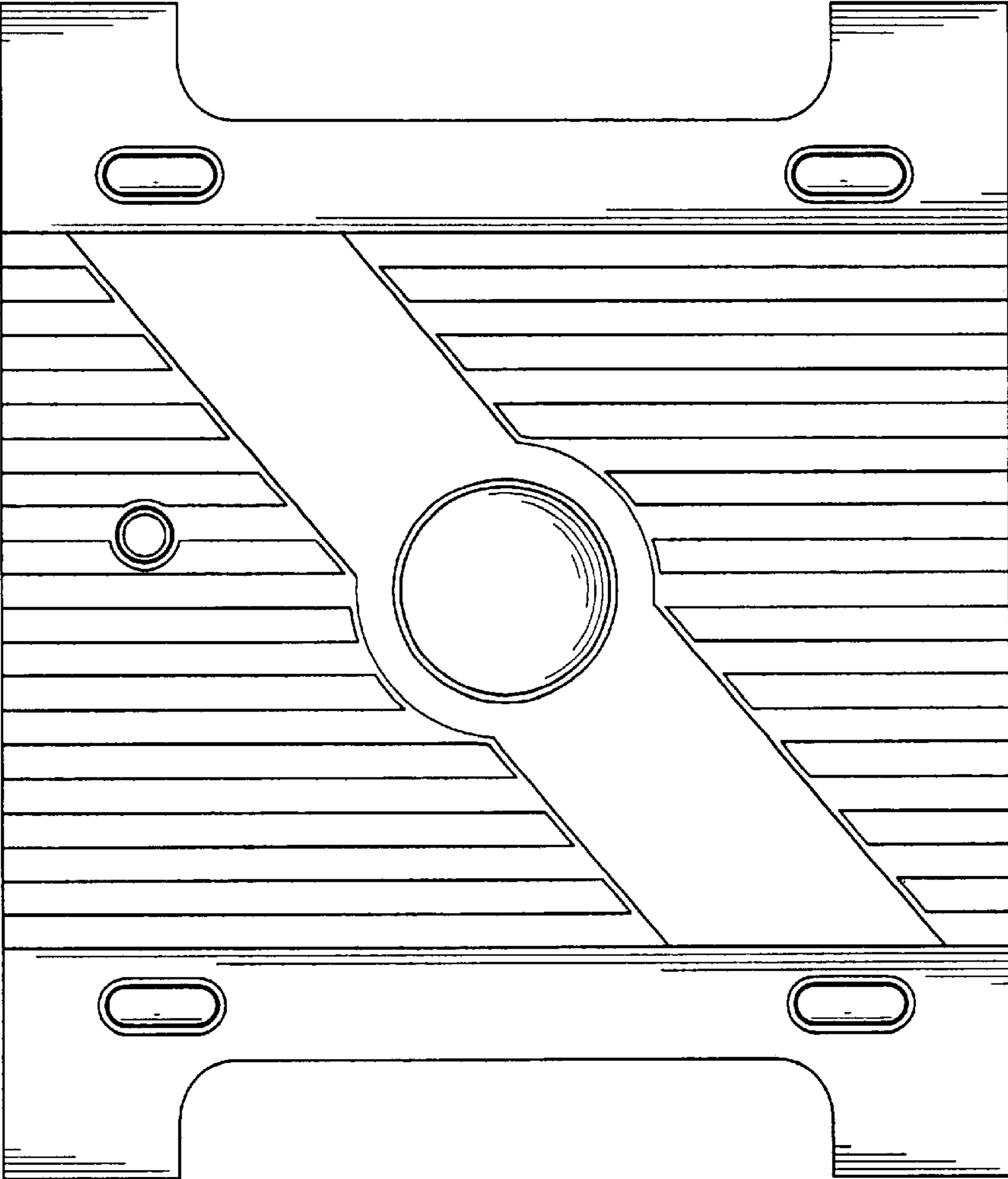


FIG. 4

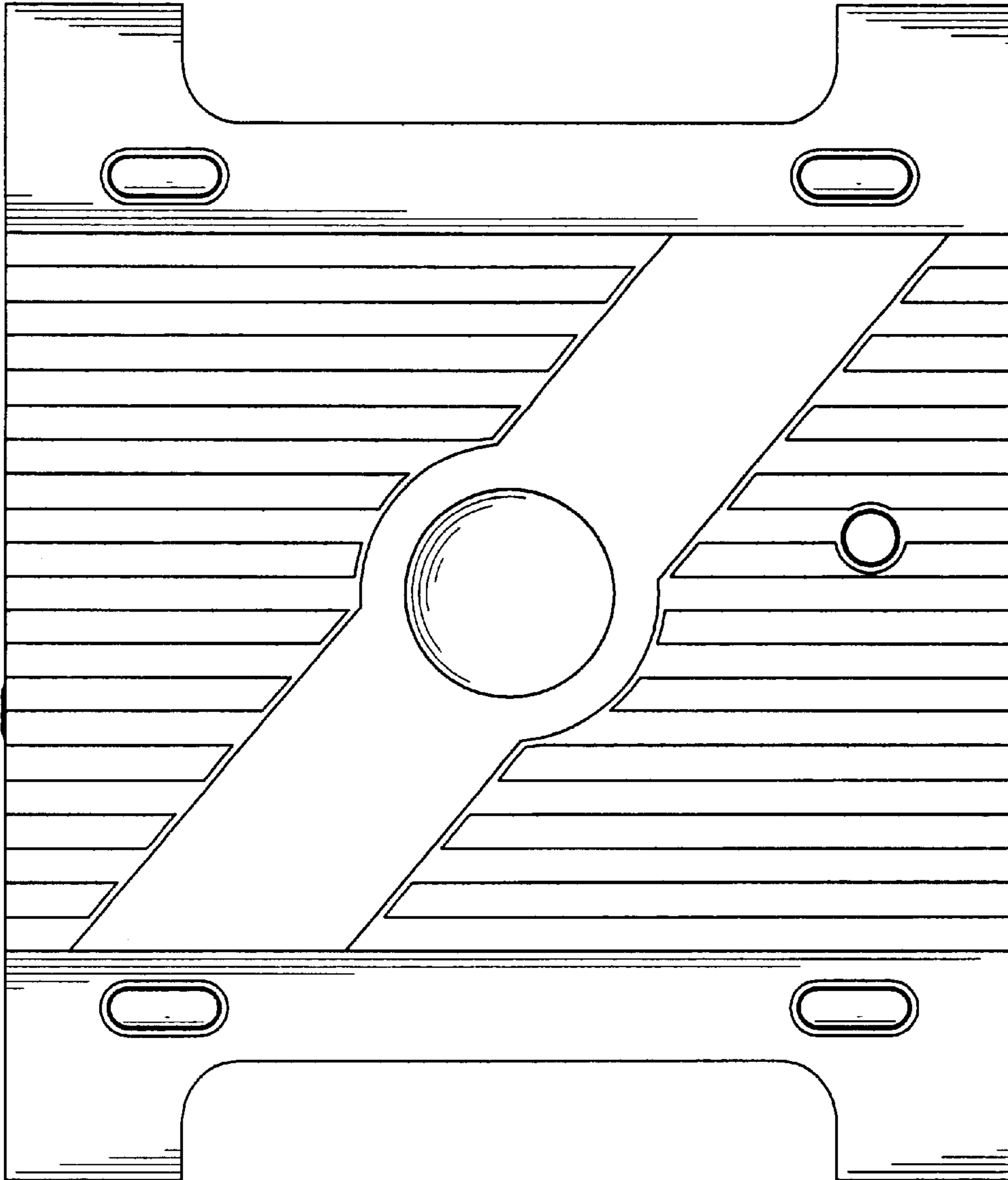


FIG. 5

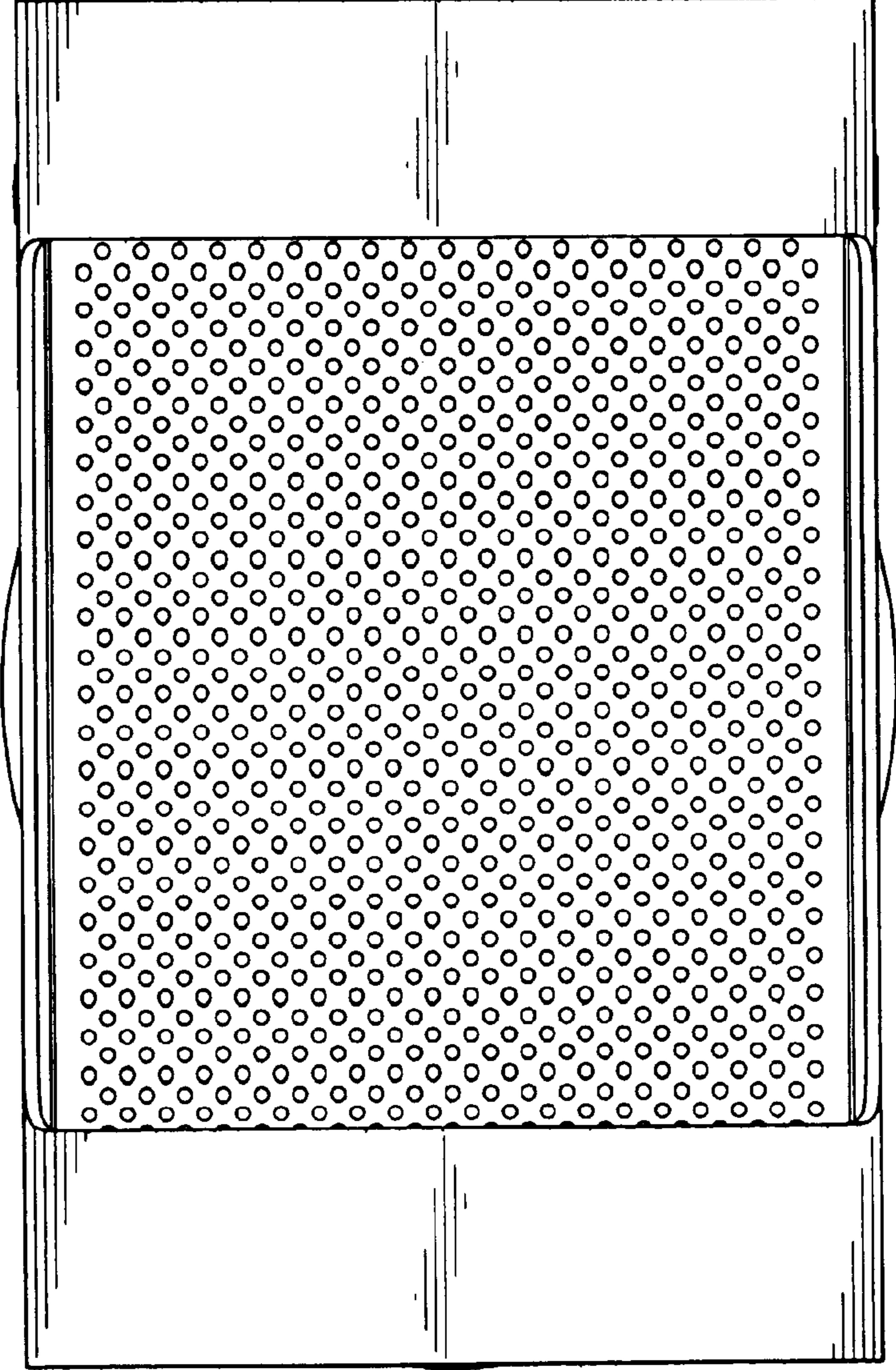


FIG. 6

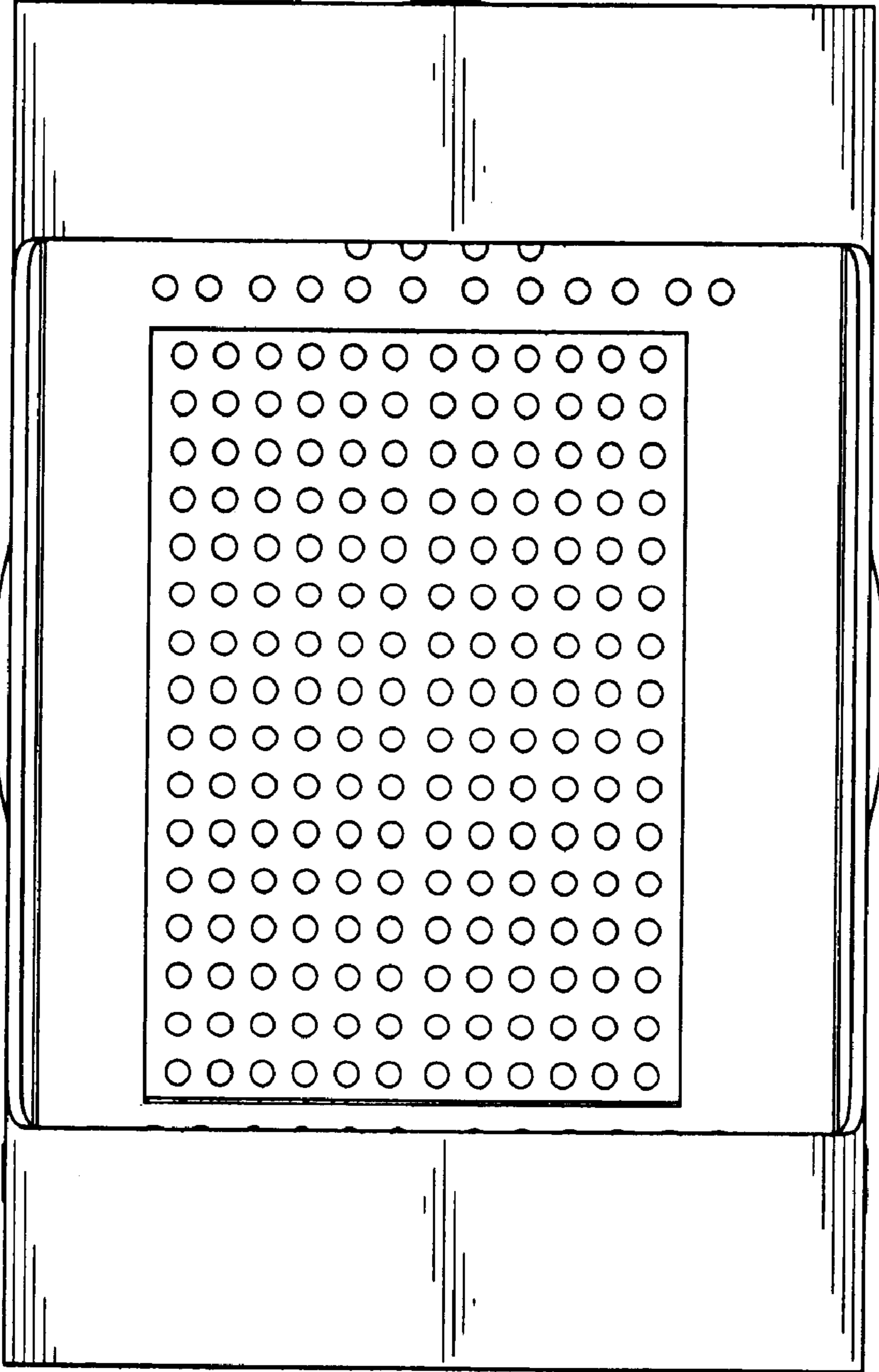


FIG. 7