

US00D511154S

(12) **United States Design Patent**
Hasegawa et al.

(10) **Patent No.:** **US D511,154 S**
(45) **Date of Patent:** **** Nov. 1, 2005**

(54) **COMBINED DIGITAL AUDIO DISK PLAYER
AND RADIO RECEIVER**

D391,961 S * 3/1998 Hanig D14/194
D459,336 S * 6/2002 Ito et al. D14/168
D474,170 S * 5/2003 Hasegawa et al. D14/168

(75) Inventors: **Shigeru Hasegawa, Tokyo (JP);
Hiroyuki Watanabe, Tokyo (JP)**

* cited by examiner

(73) Assignee: **Teac Corporation, Tokyo (JP)**

Primary Examiner—Nanda Bondade
(74) *Attorney, Agent, or Firm*—Anderson Kill & Olick,
P.C.; Eugene Lieberstein; Michael N. Mercer

(**) Term: **14 Years**

(57) **CLAIM**

(21) Appl. No.: **29/191,446**

The ornamental design of a combined digital audio disk
player and radio receiver, as shown and described.

(22) Filed: **Oct. 7, 2003**

(51) **LOC (8) Cl.** **14-01**

(52) **U.S. Cl.** **D14/168**

(58) **Field of Search** D14/135-136,
D14/160-168, 188, 197-198, 156-157;
455/100, 344, 346-351, 157.1, 350; 369/75.1,
75.2, 77.2

DESCRIPTION

FIG. 1 is a perspective view of a combined digital audio disk
player and radio receiver showing the design;
FIG. 2 is a front view thereof;
FIG. 3 is a rear view thereof;
FIG. 4 is a left side view thereof;
FIG. 5 is a right side view thereof;
FIG. 6 is a top view thereof; and,
FIG. 7 is a bottom view thereof.

(56) **References Cited**

U.S. PATENT DOCUMENTS

2,523,103 A * 9/1950 Emde et al. 455/157.1

1 Claim, 4 Drawing Sheets

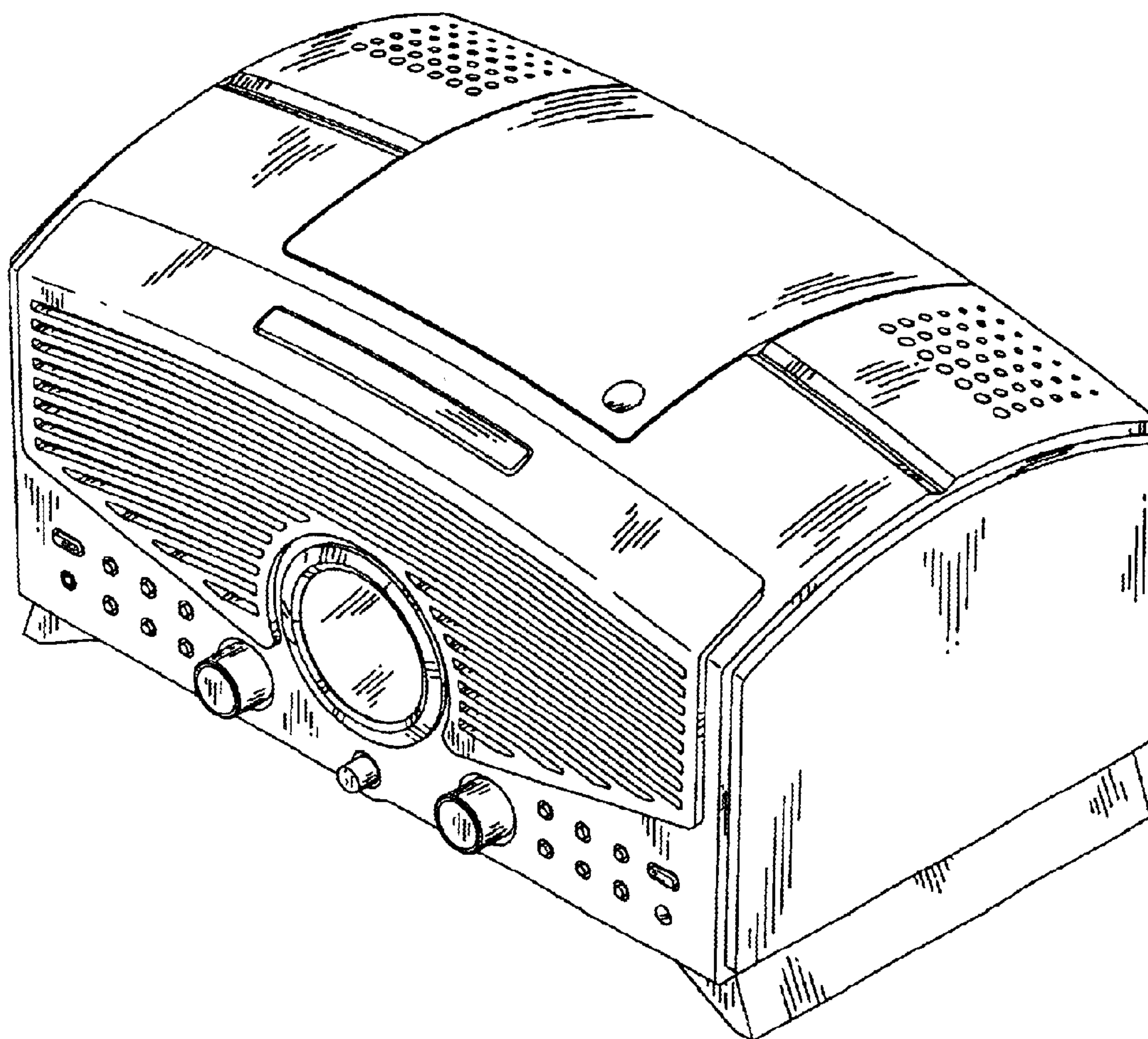


FIG. 1

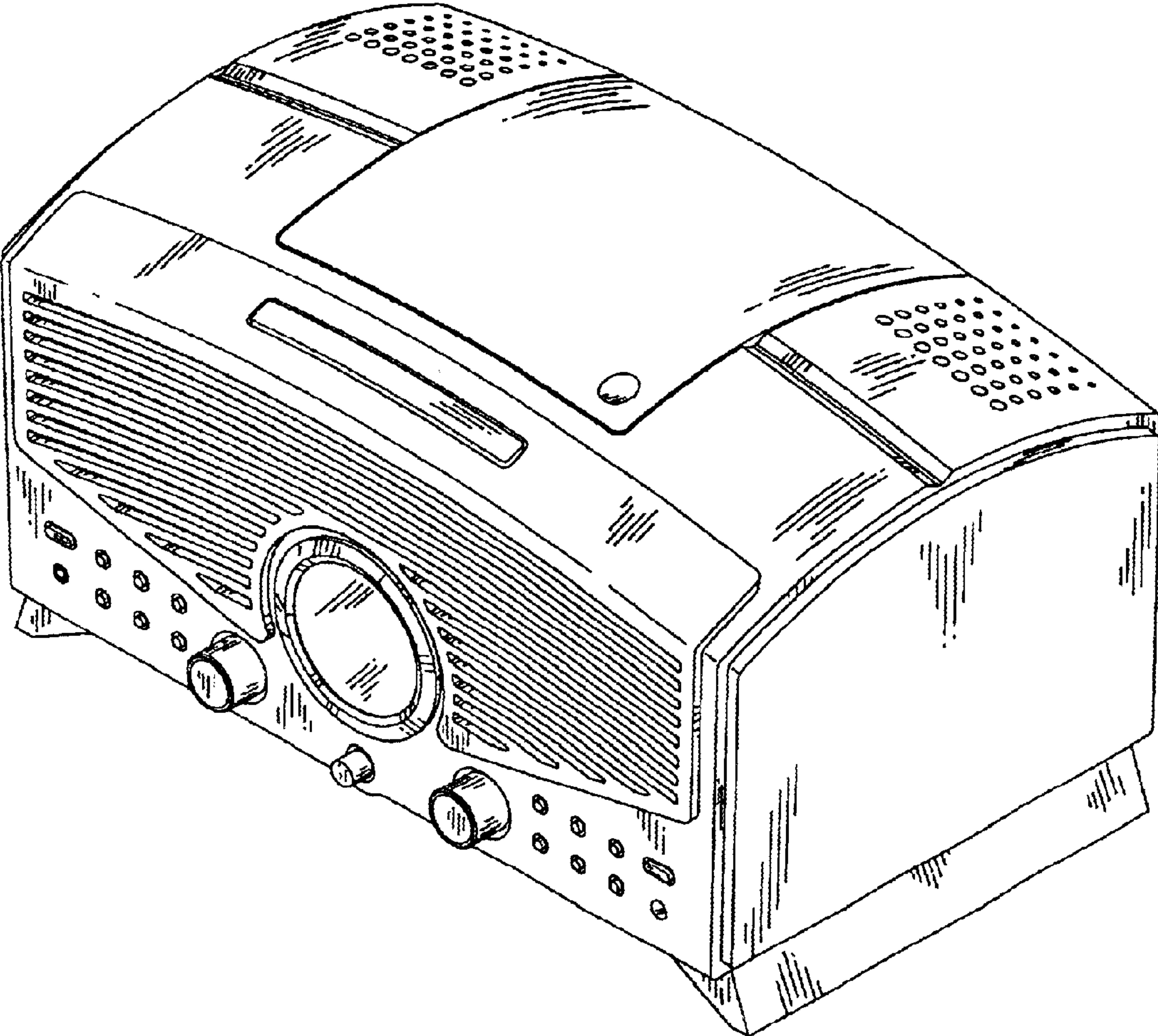


FIG. 2

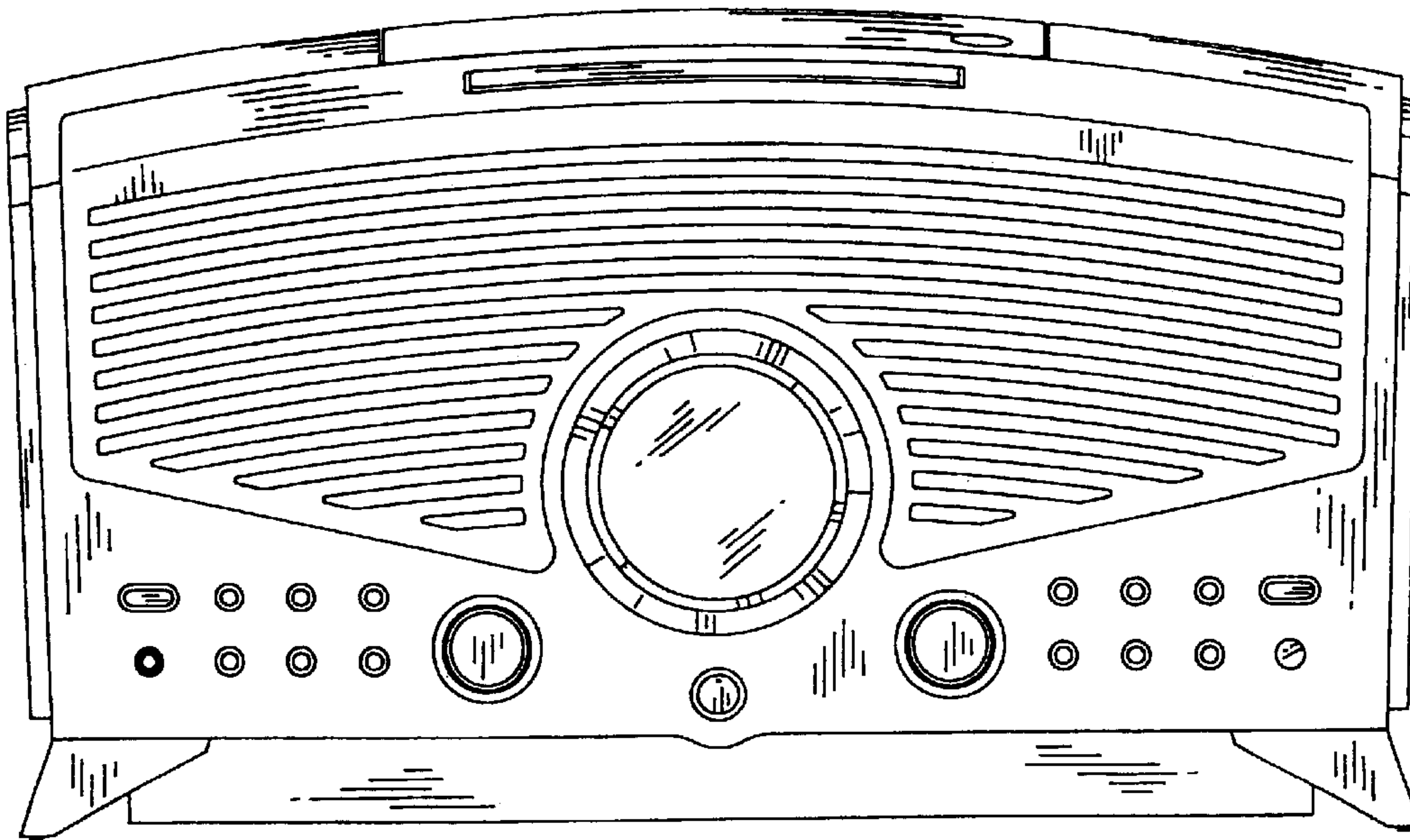


FIG. 3

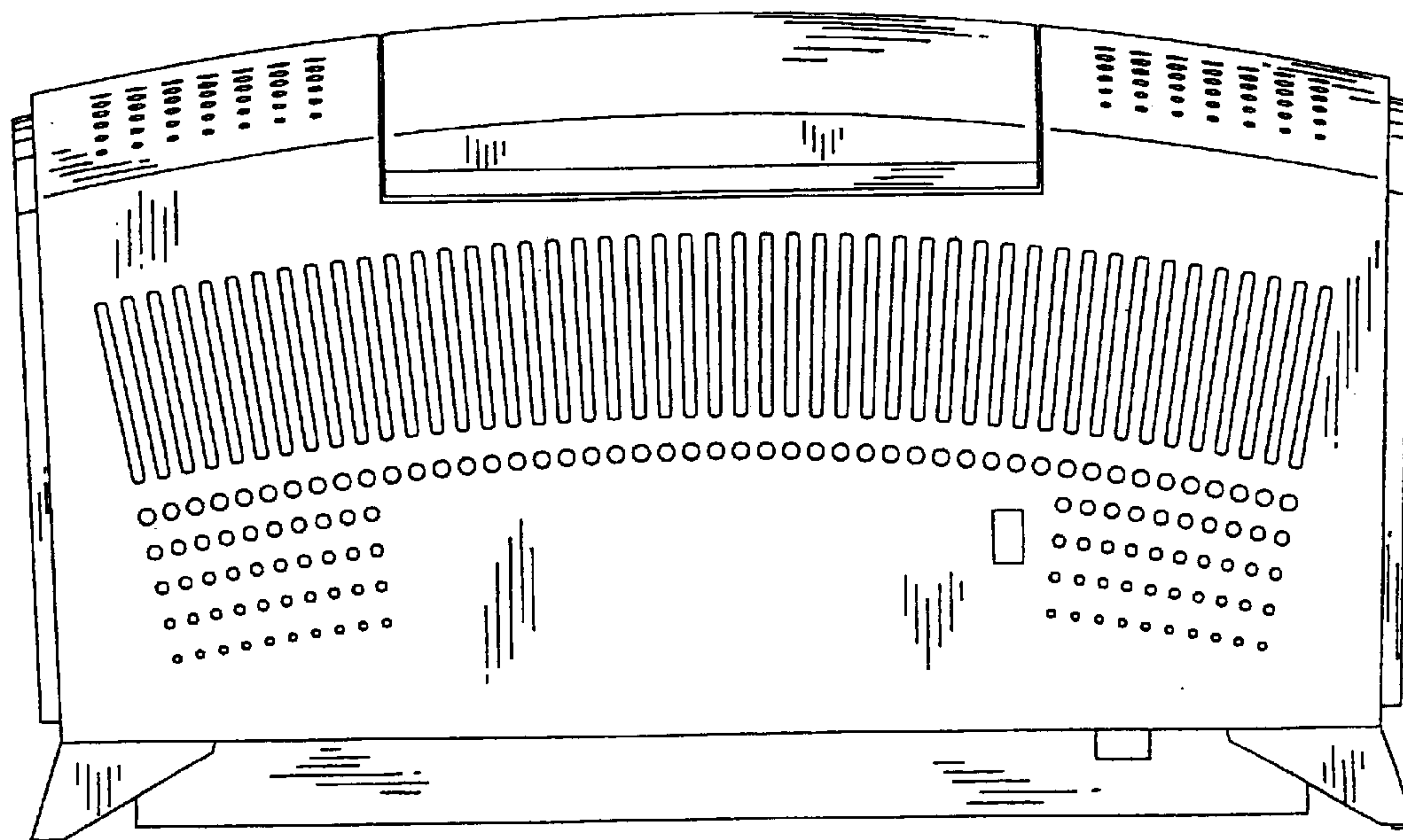


FIG. 4

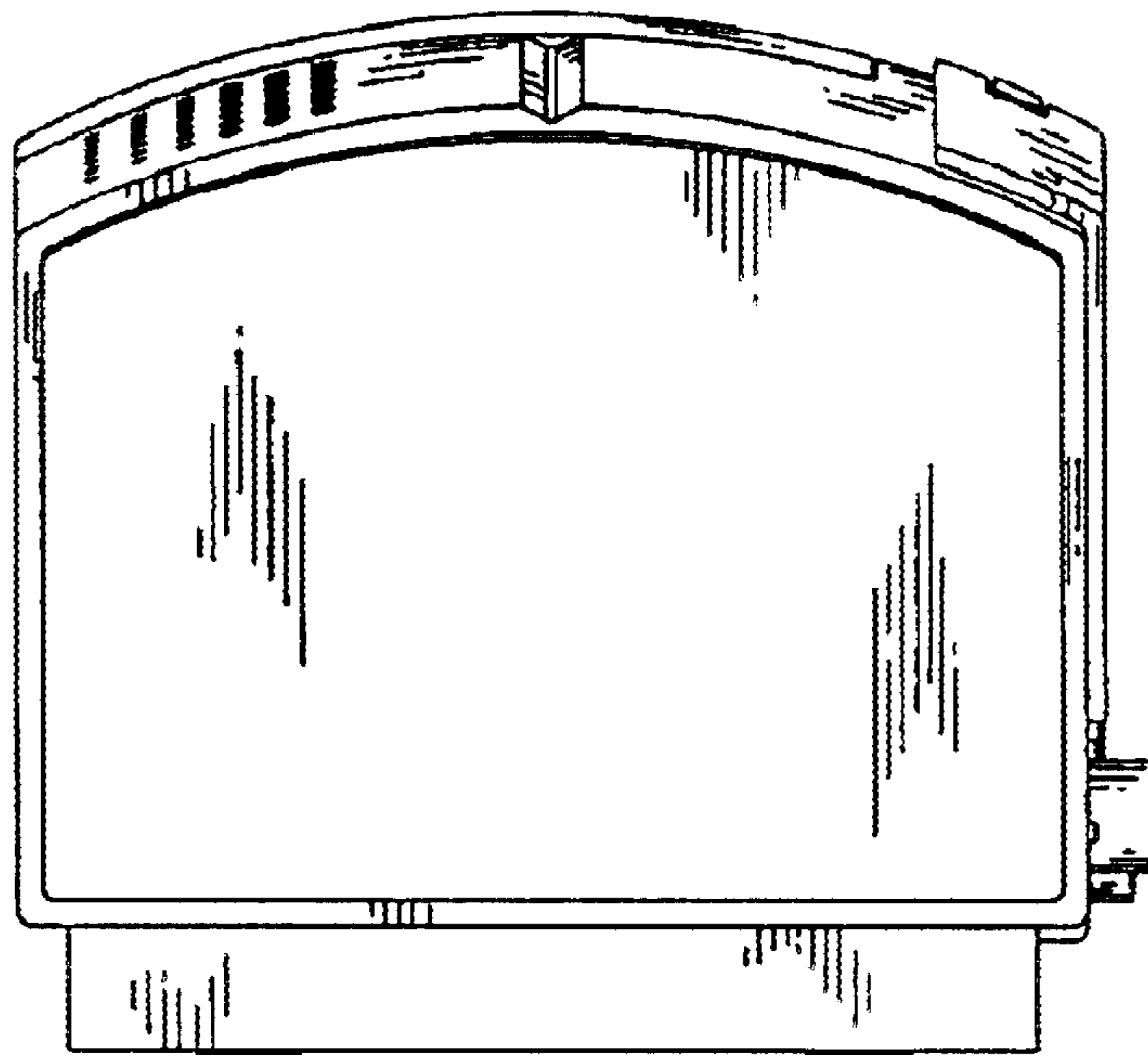


FIG. 5

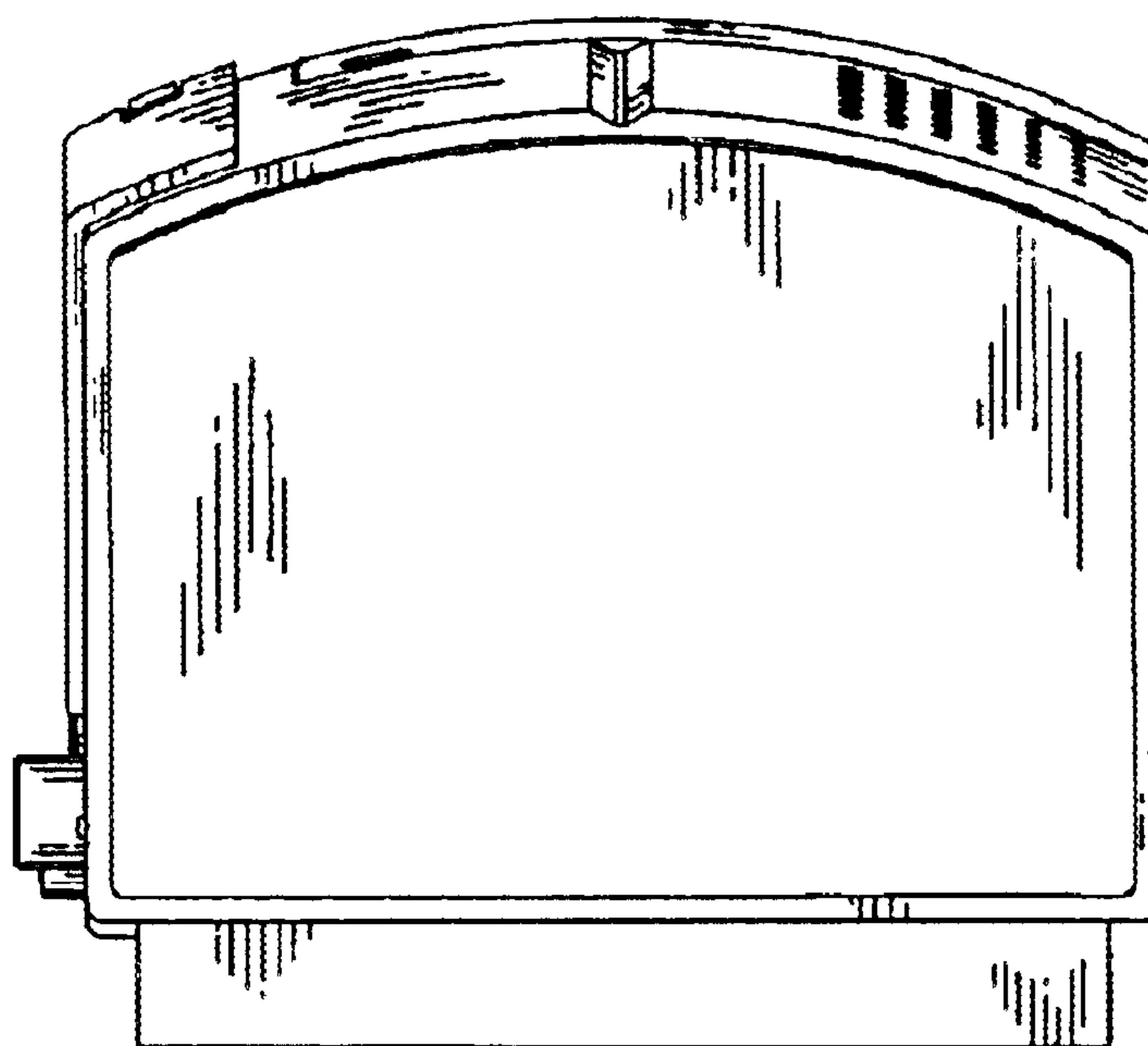


FIG. 6

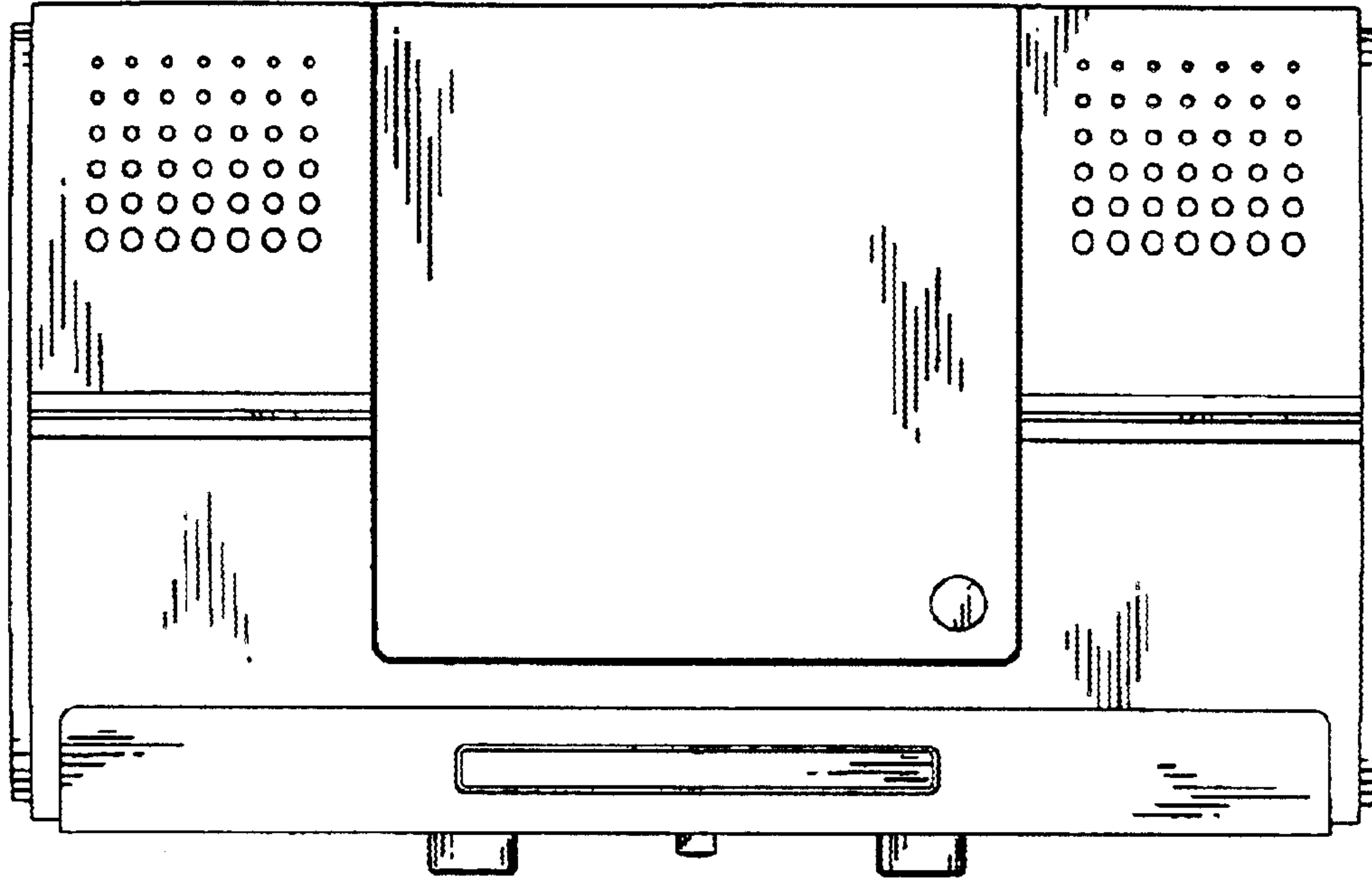


FIG. 7

