



US00D511153S

(12) **United States Design Patent** (10) **Patent No.:** **US D511,153 S**
dos Santos (45) **Date of Patent:** **** Nov. 1, 2005**

(54) **TELEPHONE APPARATUS**

(75) Inventor: **David Niebuhr dos Santos**, Curitiba (BR)

(73) Assignee: **Siemens Ltda.**, São Paulo (BR)

(**) Term: **14 Years**

(21) Appl. No.: **29/188,854**

(22) Filed: **Aug. 25, 2003**

(30) **Foreign Application Priority Data**

Feb. 27, 2003 (BR) DI 6300537

(51) **LOC (8) Cl.** **14-03**

(52) **U.S. Cl.** **D14/151**

(58) **Field of Search** D14/149–151,
D14/147–148, 251–253, 144, 143, 130,
329, 330, 434, 140, 142; 379/419, 428.01–428.04,
440; D13/107, 108; D21/517

(56) **References Cited**

U.S. PATENT DOCUMENTS

D299,131 S * 12/1988 Asaki et al. D14/144

(Continued)

FOREIGN PATENT DOCUMENTS

WO DM/046375 * 4/1998

(Continued)

Primary Examiner—Jeffrey Asch

(74) *Attorney, Agent, or Firm*—Fish & Richardson P.C.

(57) **CLAIM**

The ornamental design of a telephone apparatus, as shown and described.

DESCRIPTION

FIG. 1 is a top, front and right side perspective view of the transceiver handset portion of the telephone apparatus according to my new design;

FIG. 2 is a top plan view thereof;

FIG. 3 is a bottom plan view thereof;

FIG. 4 is a front elevational view thereof;

FIG. 5 is a back elevational view thereof; and

FIG. 6 is a right side elevational view thereof, the left side being a mirror image.

FIG. 7 is a top, front and right side perspective view of a first embodiment of the body portion of the telephone apparatus according to my new design;

FIG. 8 is a top plan view thereof;

FIG. 9 is a bottom plan view thereof;

FIG. 10 is a front elevational view thereof;

FIG. 11 is a back elevational view thereof;

FIG. 12 is a right-side elevational view thereof; and

FIG. 13 is a left side elevational view thereof.

FIG. 14 is a top, front and right side perspective view of the first embodiment of the body portion of the telephone apparatus showing the handset portion resting in its cradle;

FIG. 15 is a top plan view thereof;

FIG. 16 is a bottom plan view thereof;

FIG. 17 is a front elevational view thereof;

FIG. 18 is a back elevational view thereof;

FIG. 19 is a right-side elevational view thereof; and

FIG. 20 is a left side elevational view thereof.

FIG. 21 is a top, front and right side perspective view of a second embodiment of the body portion of the telephone apparatus according to my new design;

FIG. 22 is a top plan view thereof;

FIG. 23 is a bottom plan view thereof;

FIG. 24 is a front elevational view thereof;

FIG. 25 is a back elevational view thereof;

FIG. 26 is a right-side elevational view thereof; and

FIG. 27 is a left side elevational view thereof.

FIG. 28 is a top, front and right side perspective view of the second embodiment of the body portion of the telephone apparatus showing the handset portion resting in its cradle;

FIG. 29 is a top plan view thereof;

FIG. 30 is a bottom plan view thereof;

FIG. 31 is a front elevational view thereof;

FIG. 32 is a back elevational view thereof;

FIG. 33 is a right-side elevational view thereof; and

FIG. 34 is a left side elevational view thereof.

FIG. 35 is a top, front and right side perspective view of a third embodiment of the body portion of the telephone apparatus according to my new design;

FIG. 36 is a top plan view thereof;

FIG. 37 is a bottom plan view thereof;

FIG. 38 is a front elevational view thereof;

FIG. 39 is a back elevational view thereof;

FIG. 40 is a right-side elevational view thereof; and

FIG. 41 is a left side elevational view thereof.

FIG. 42 is a top, front and right side perspective view of the third embodiment of the body portion of the telephone apparatus showing the handset portion resting in its cradle;

FIG. 43 is a top plan view thereof;

FIG. 44 is a bottom plan view thereof;

FIG. 45 is a front elevational view thereof;

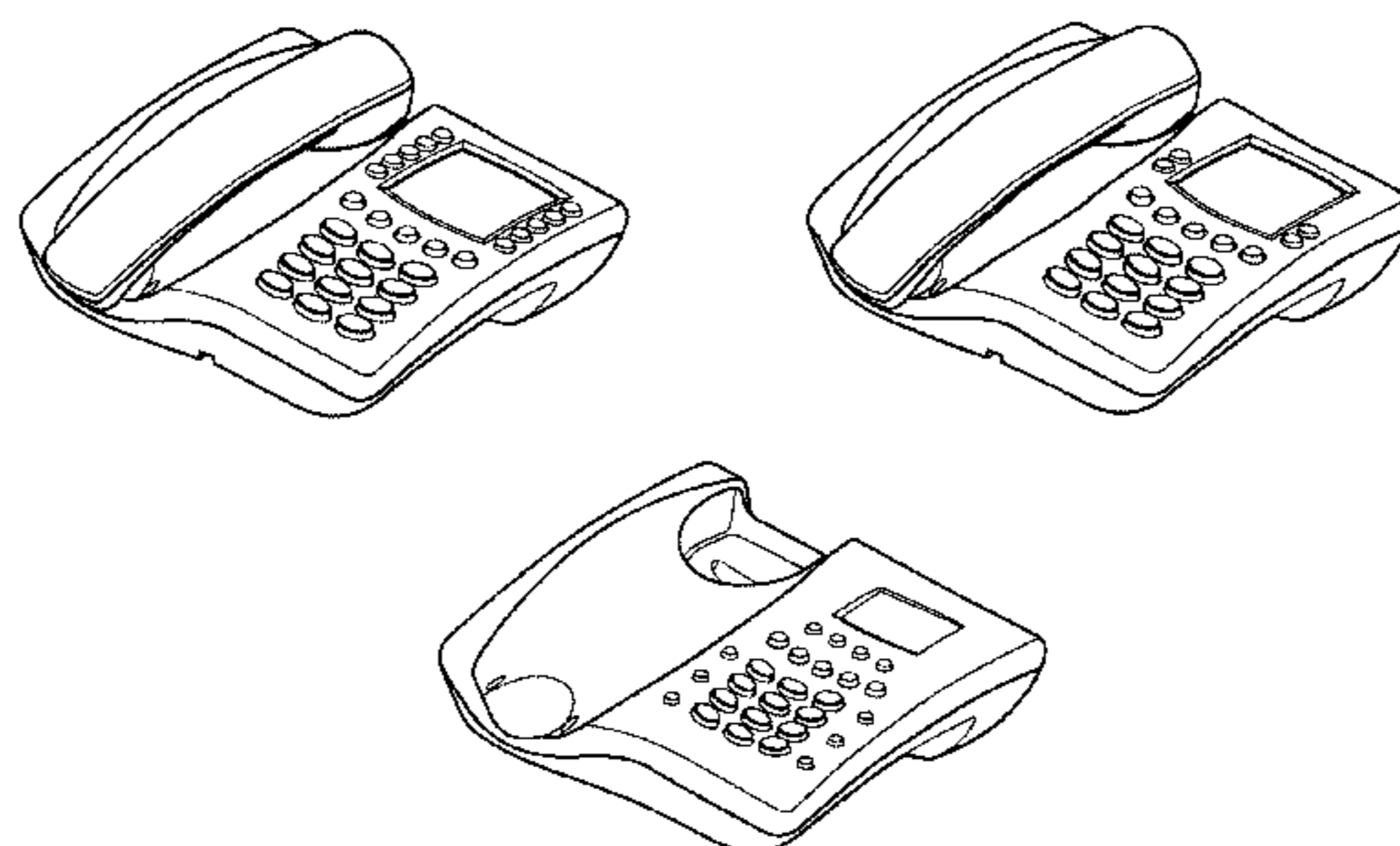
FIG. 46 is a back elevational view thereof;

FIG. 47 is a right-side elevational view thereof; and,

FIG. 48 is a left side elevational view thereof.

The telephone base and handset have been shown separately in FIGS. 1–13, 21–27, and 35–41, in order to more clearly illustrate the individual components that make up the design.

1 Claim, 7 Drawing Sheets



US D511,153 S

Page 2

U.S. PATENT DOCUMENTS

D303,386 S * 9/1989 Iino D14/142
D307,427 S * 4/1990 Polhemus D14/151
D308,059 S * 5/1990 Desbarats D14/151
D323,164 S * 1/1992 Myoga D14/138
D350,541 S * 9/1994 Chung et al. D14/149
D359,284 S * 6/1995 Hung D14/151
D370,482 S * 6/1996 Kong et al. D14/151
D399,201 S * 10/1998 Zeitman D14/151
D414,181 S * 9/1999 Isonaga D14/151
D421,259 S * 2/2000 Liu D14/149
D432,108 S * 10/2000 Isonaga D14/151
D439,234 S * 3/2001 Narrillos Hortiguela ... D14/151
D442,158 S * 5/2001 Isonaga D14/151
D445,772 S * 7/2001 Fitzgerald D14/151

D460,066 S * 7/2002 Hillenmayer D14/248
D472,540 S * 4/2003 Katou D14/151
D481,700 S * 11/2003 Jauregui et al. D14/151
D482,342 S * 11/2003 Weidinger D14/151
2002/0044644 A1 * 4/2002 Ichiyama 379/419
2004/0076290 A1 * 4/2004 Templin et al. 379/454
2004/0234071 A1 * 11/2004 Bae et al. 379/419

FOREIGN PATENT DOCUMENTS

WO DM/052909 * 7/2000
WO DM/053138 * 8/2000
WO DM/056883 * 7/2001
WO DM/057975 * 10/2001

* cited by examiner

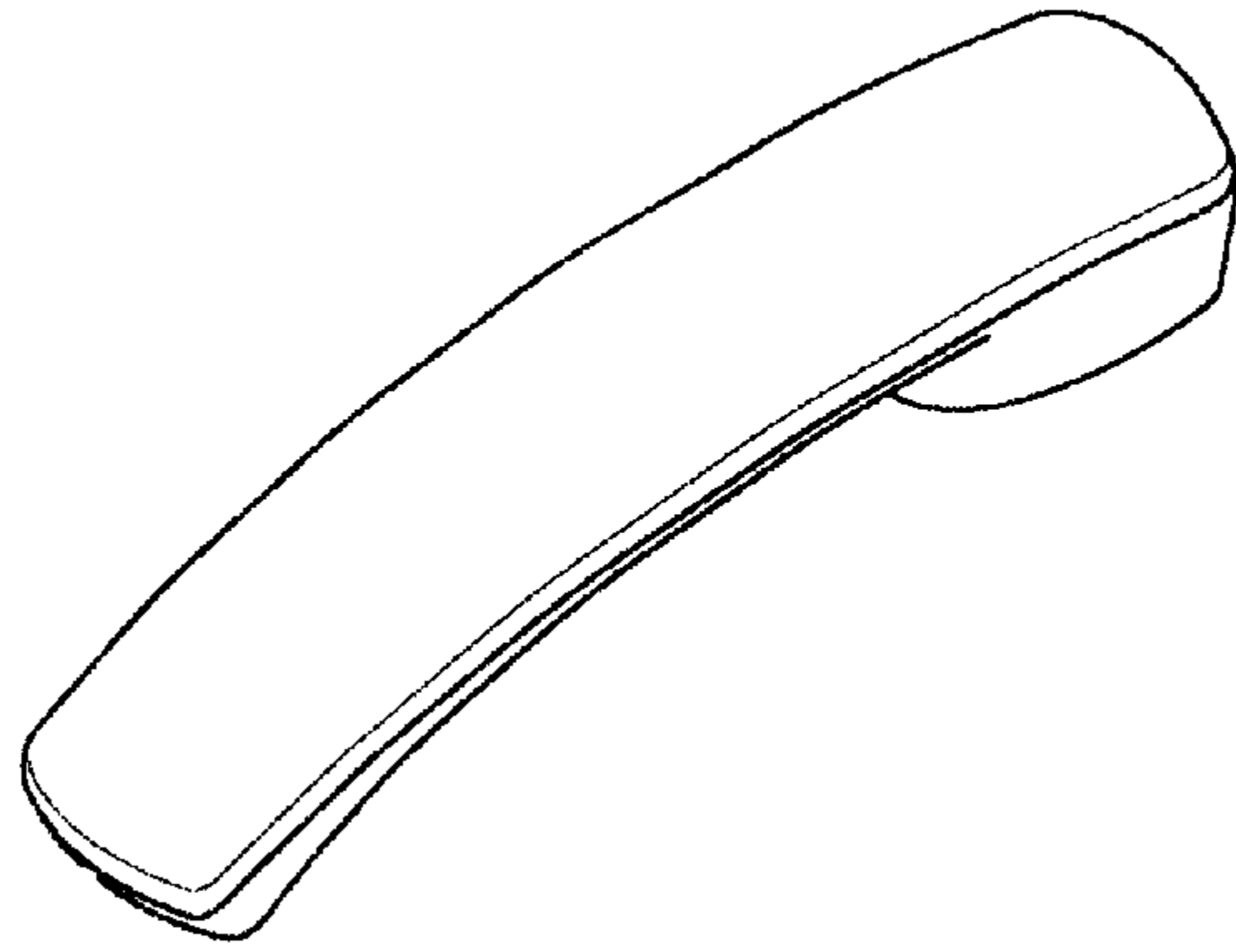


FIG. 1

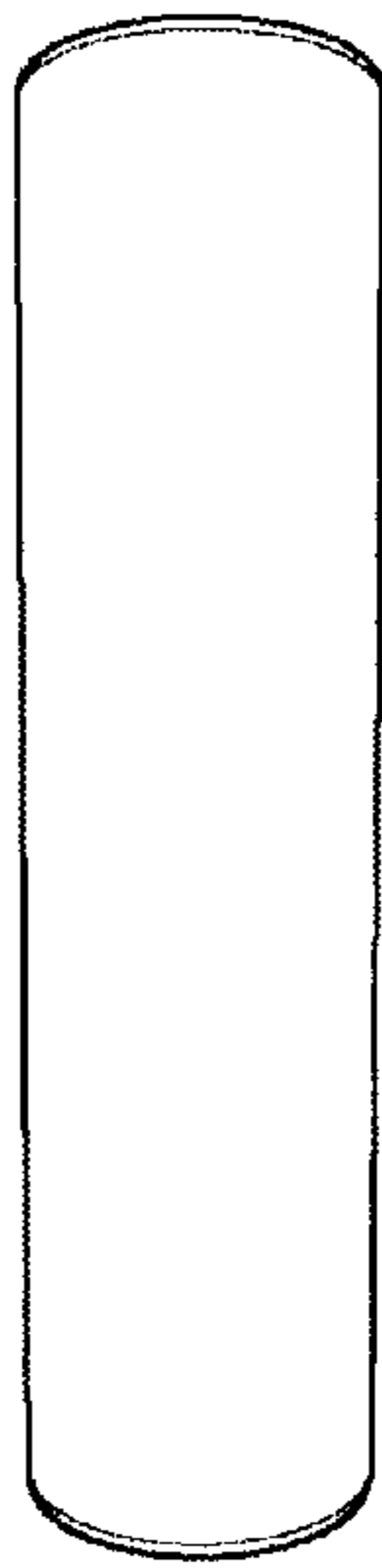


FIG. 2

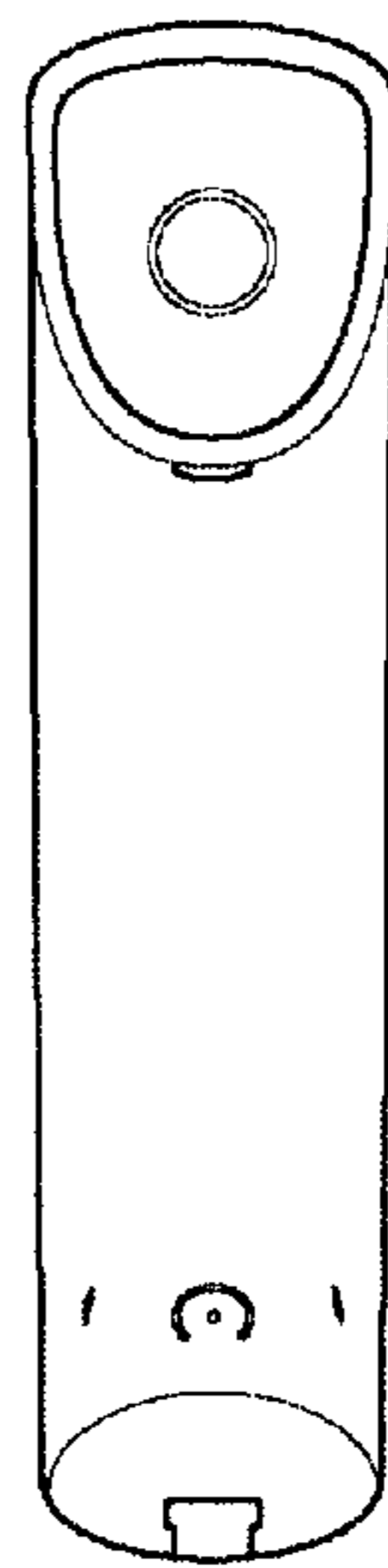


FIG. 3

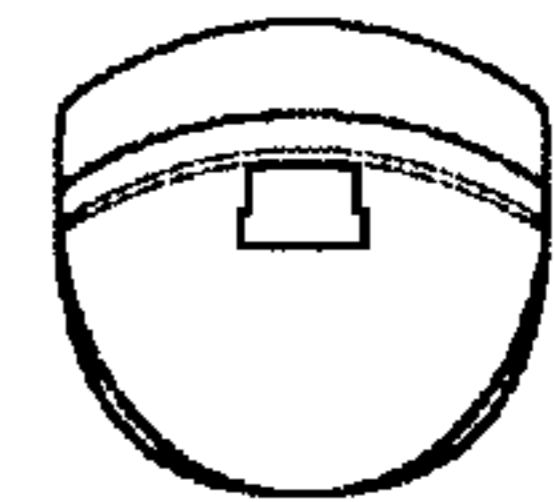


FIG. 4



FIG. 5



FIG. 6

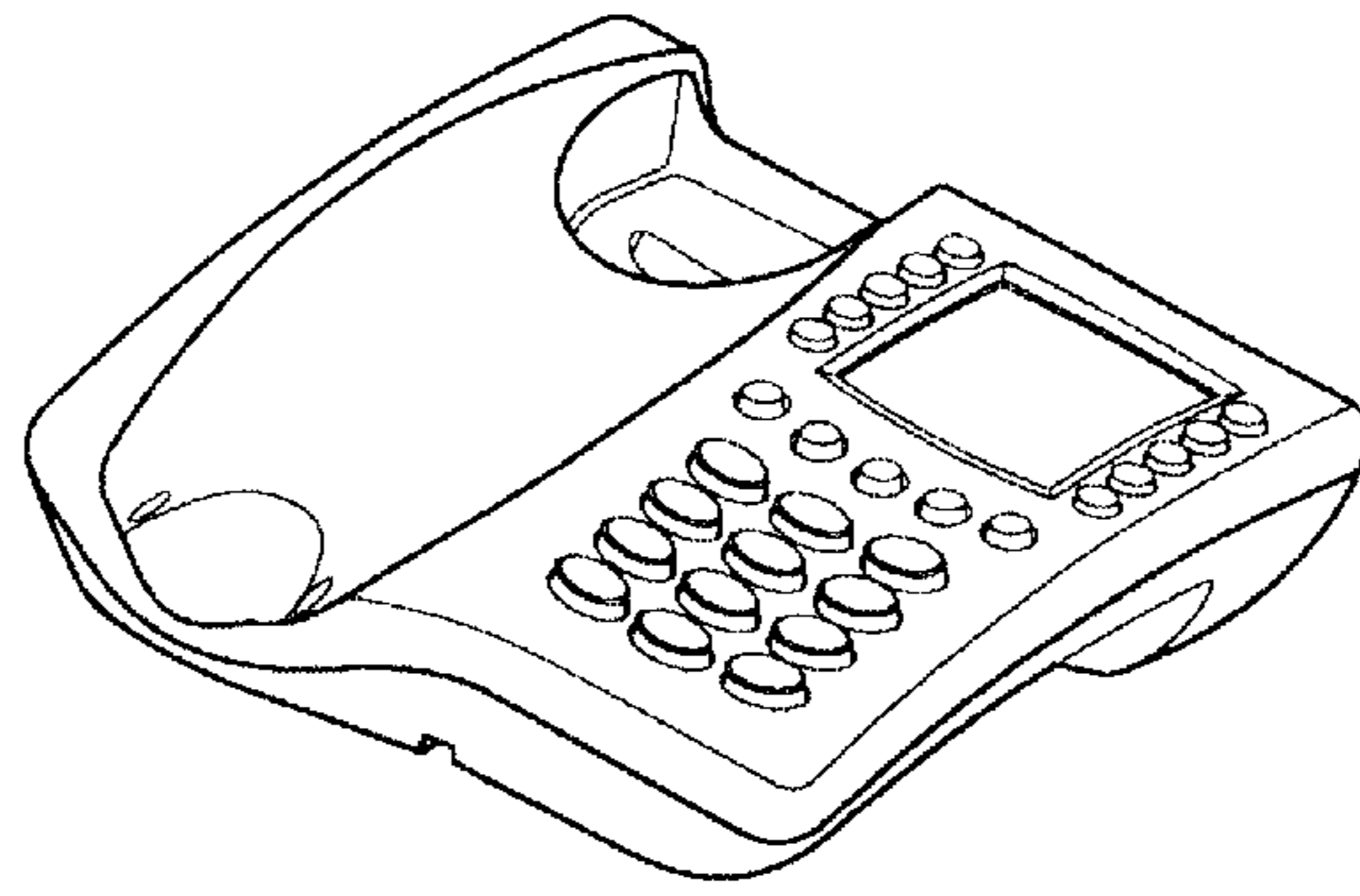


FIG. 7

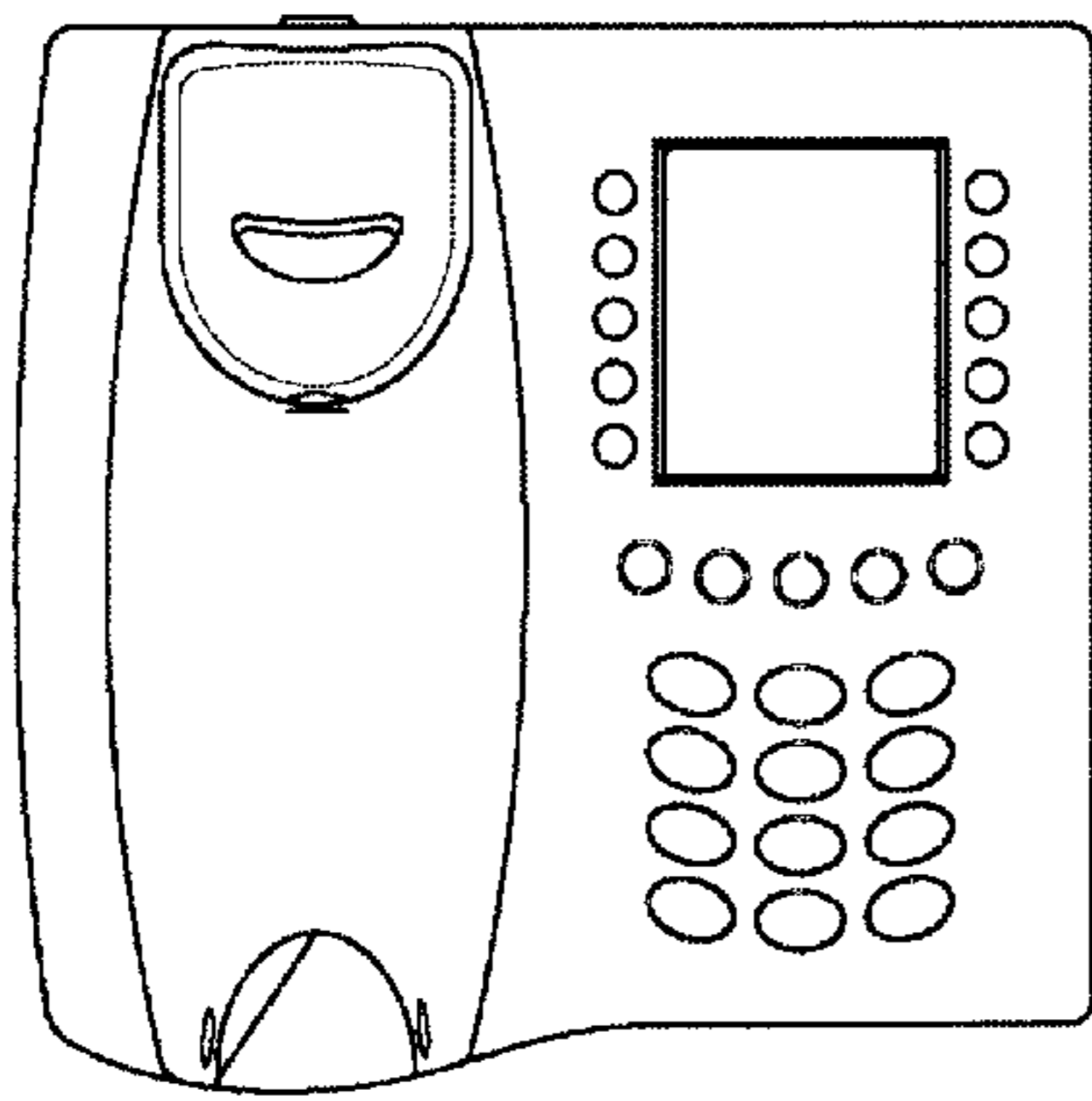


FIG. 8

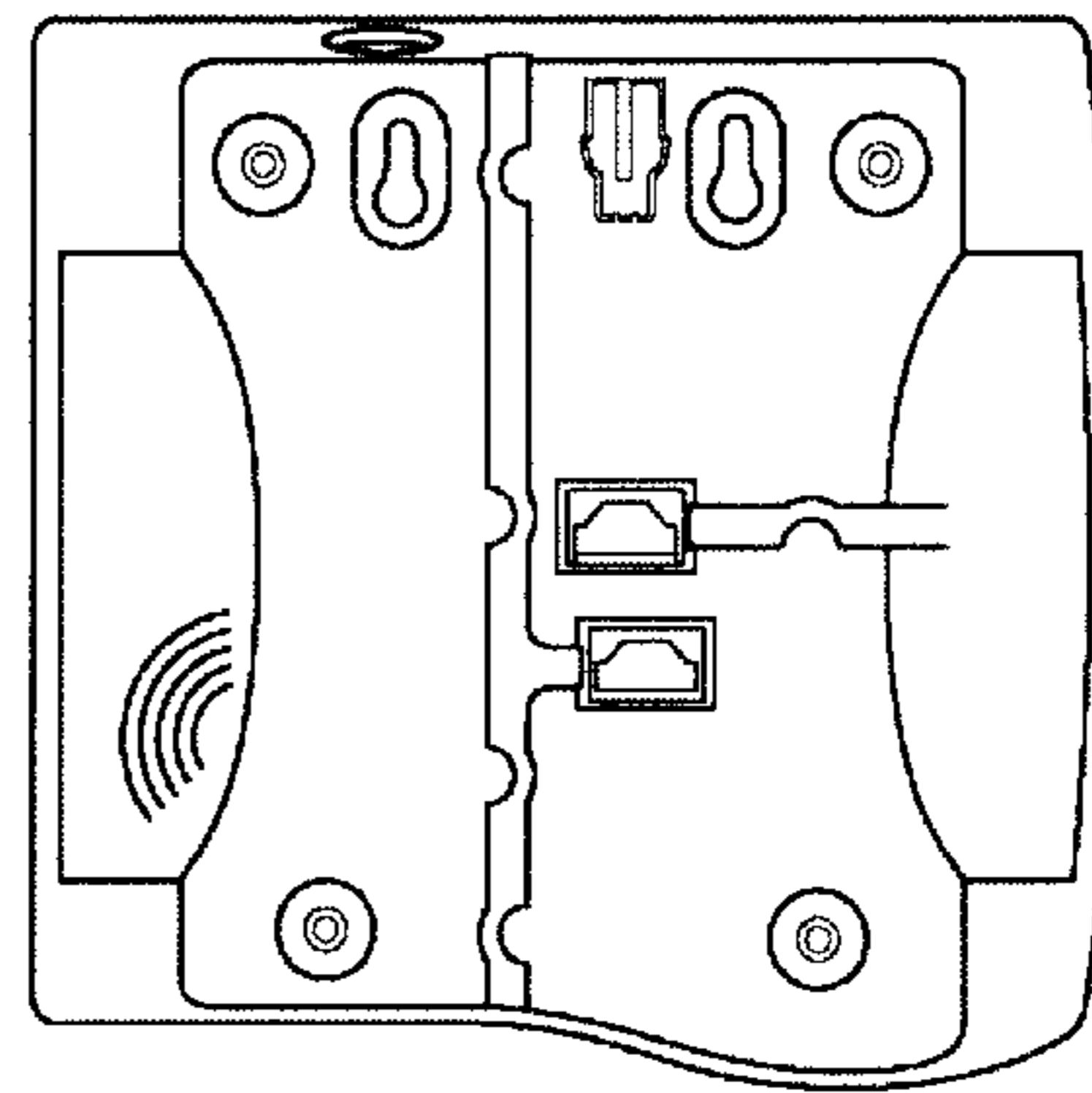


FIG. 9

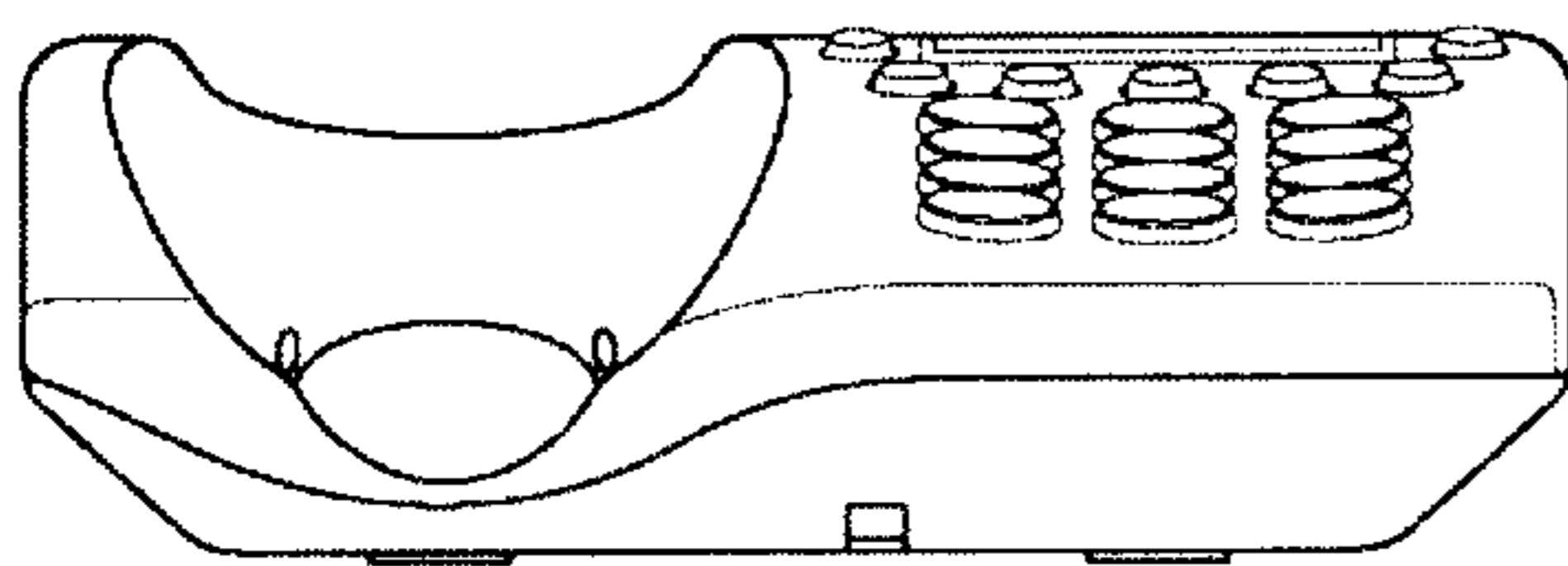


FIG. 10

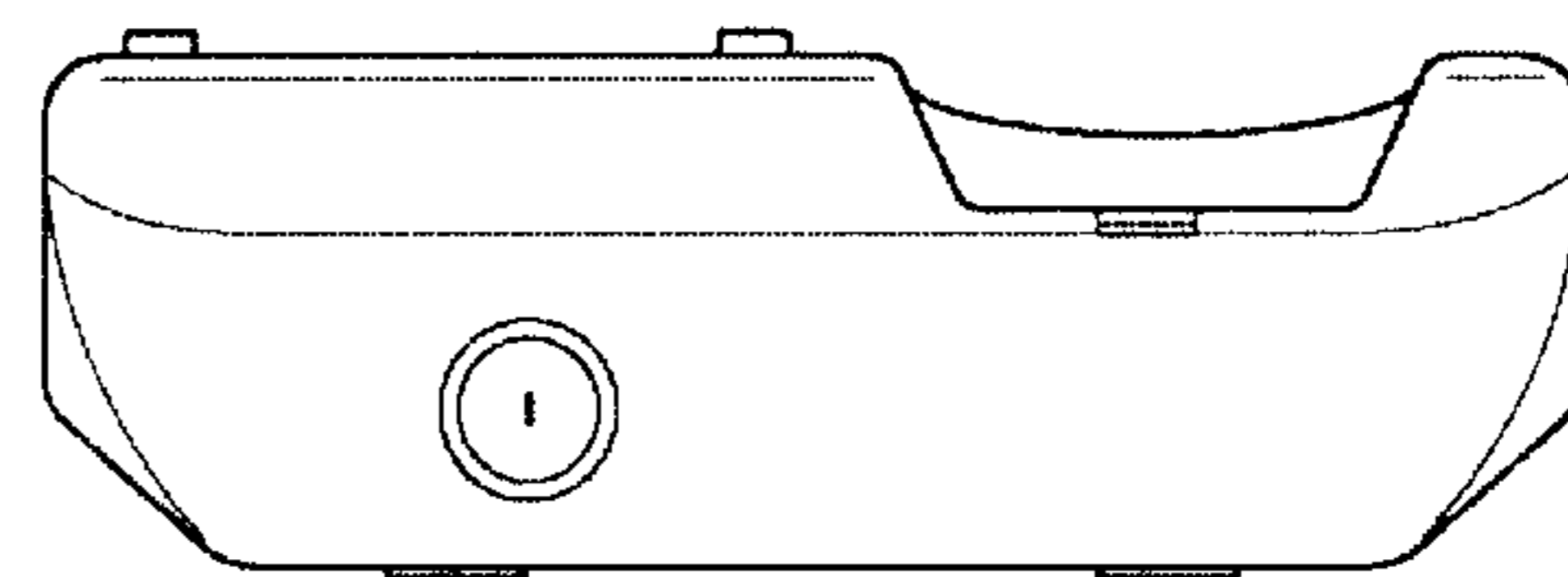


FIG. 11

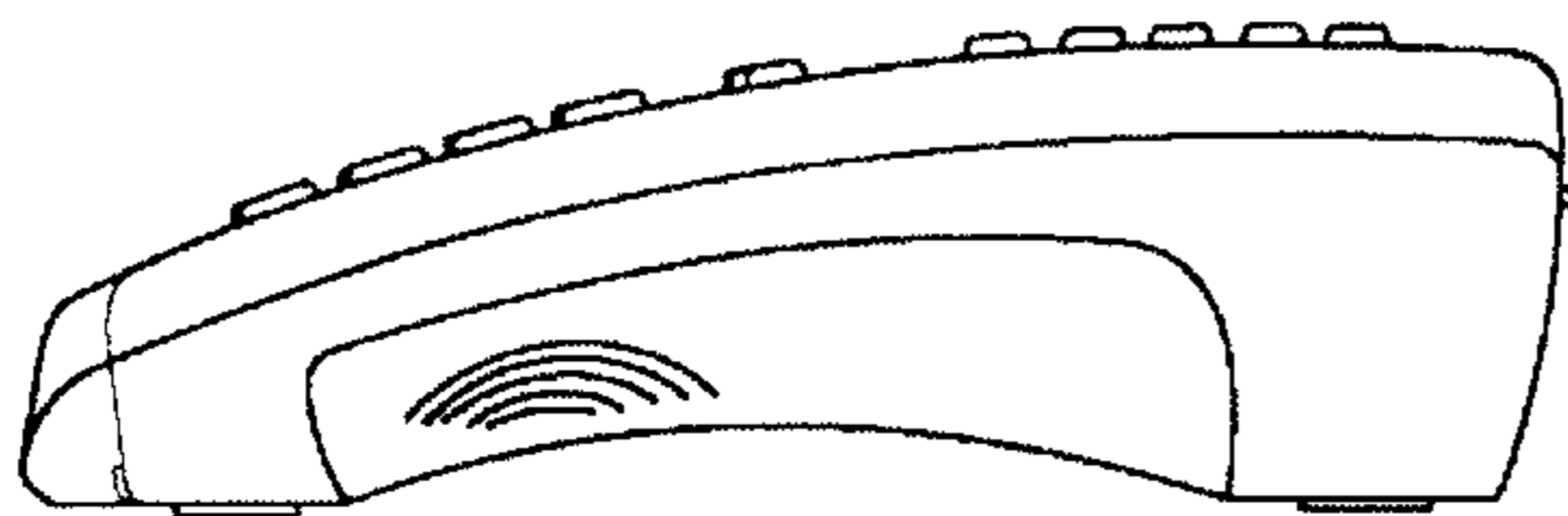


FIG. 12



FIG. 13

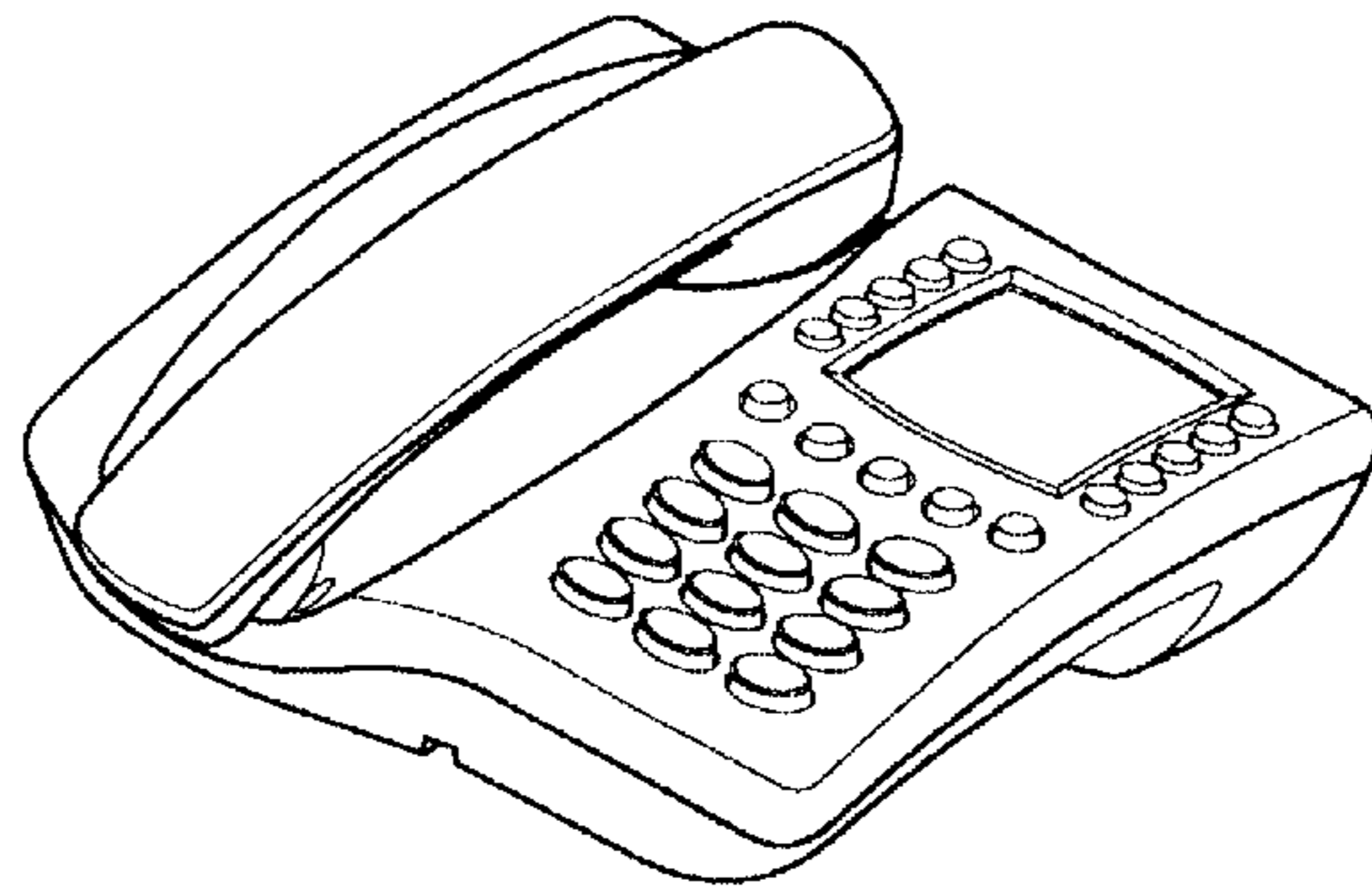


FIG. 14

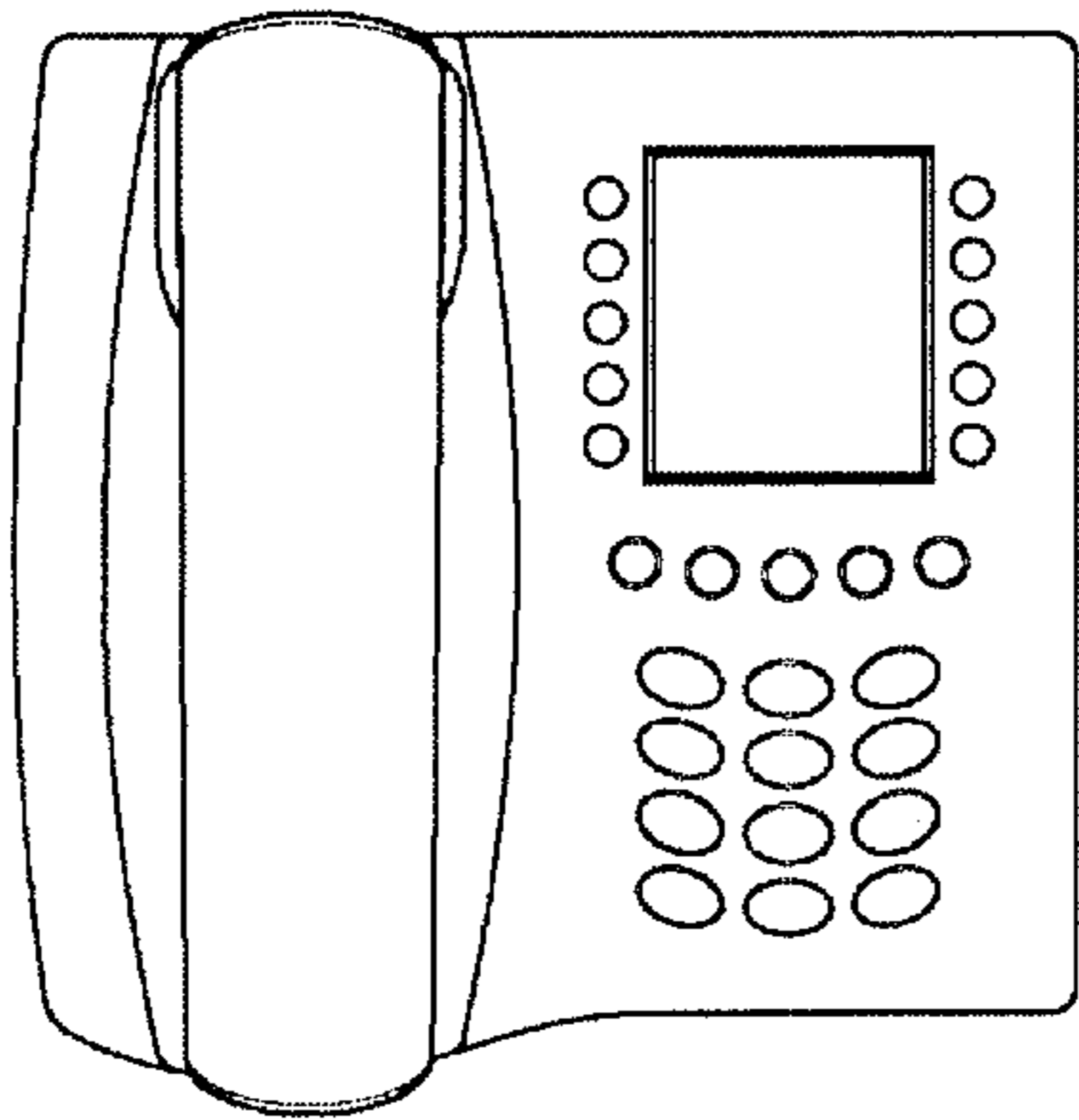


FIG. 15

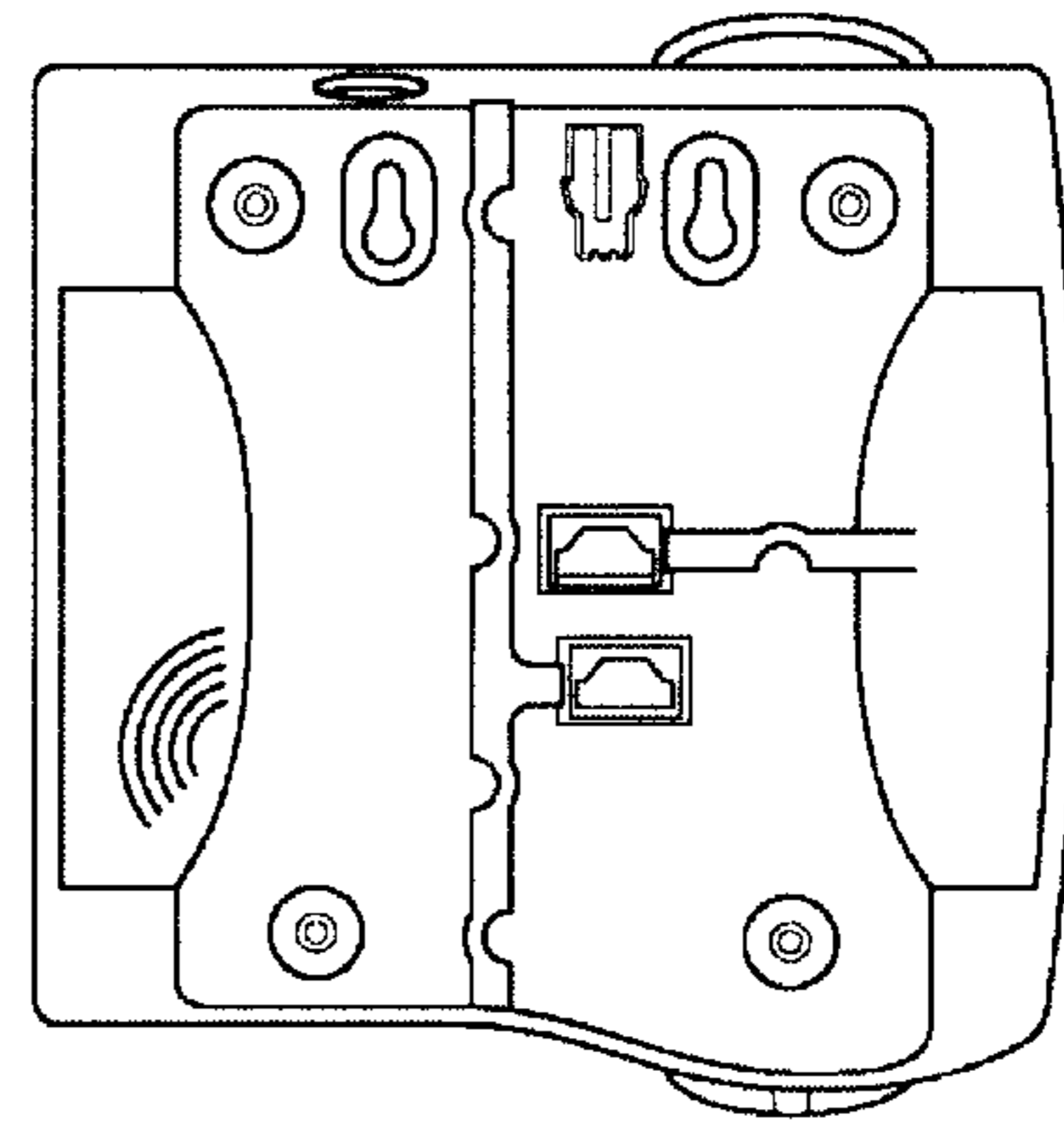


FIG. 16

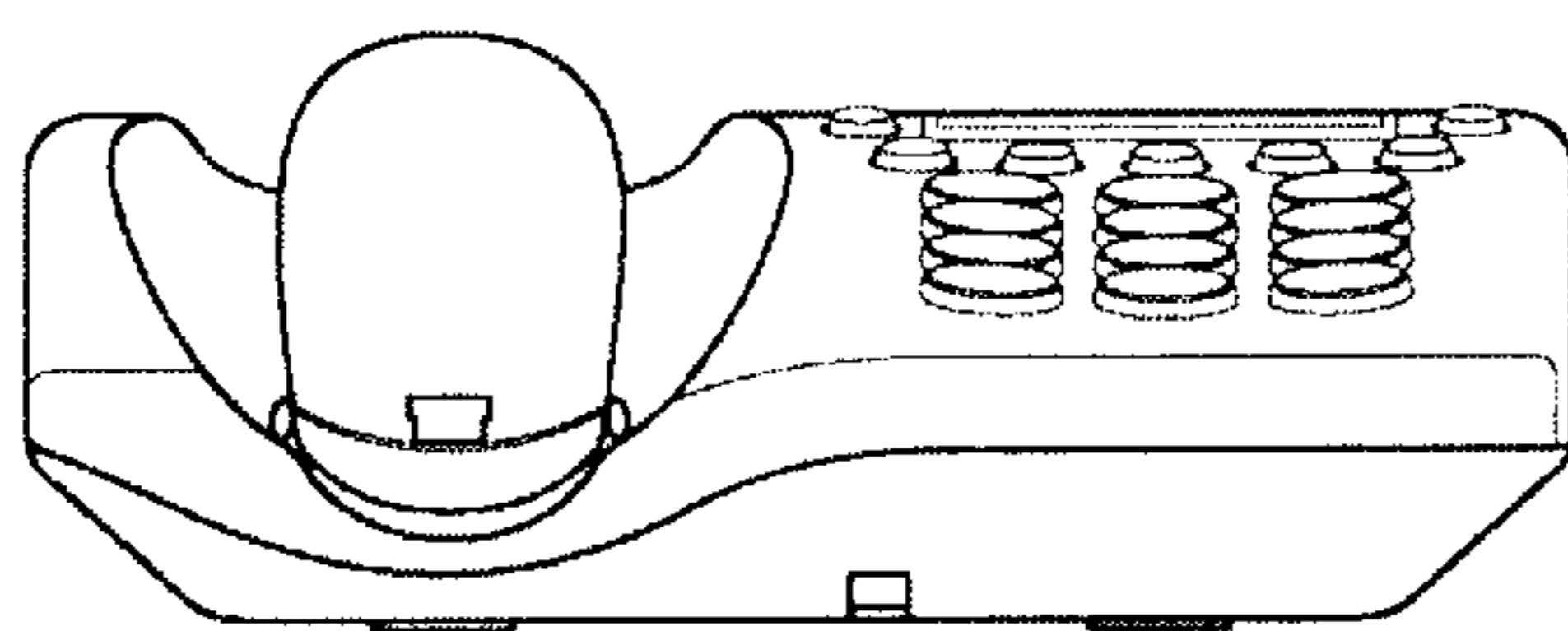


FIG. 17

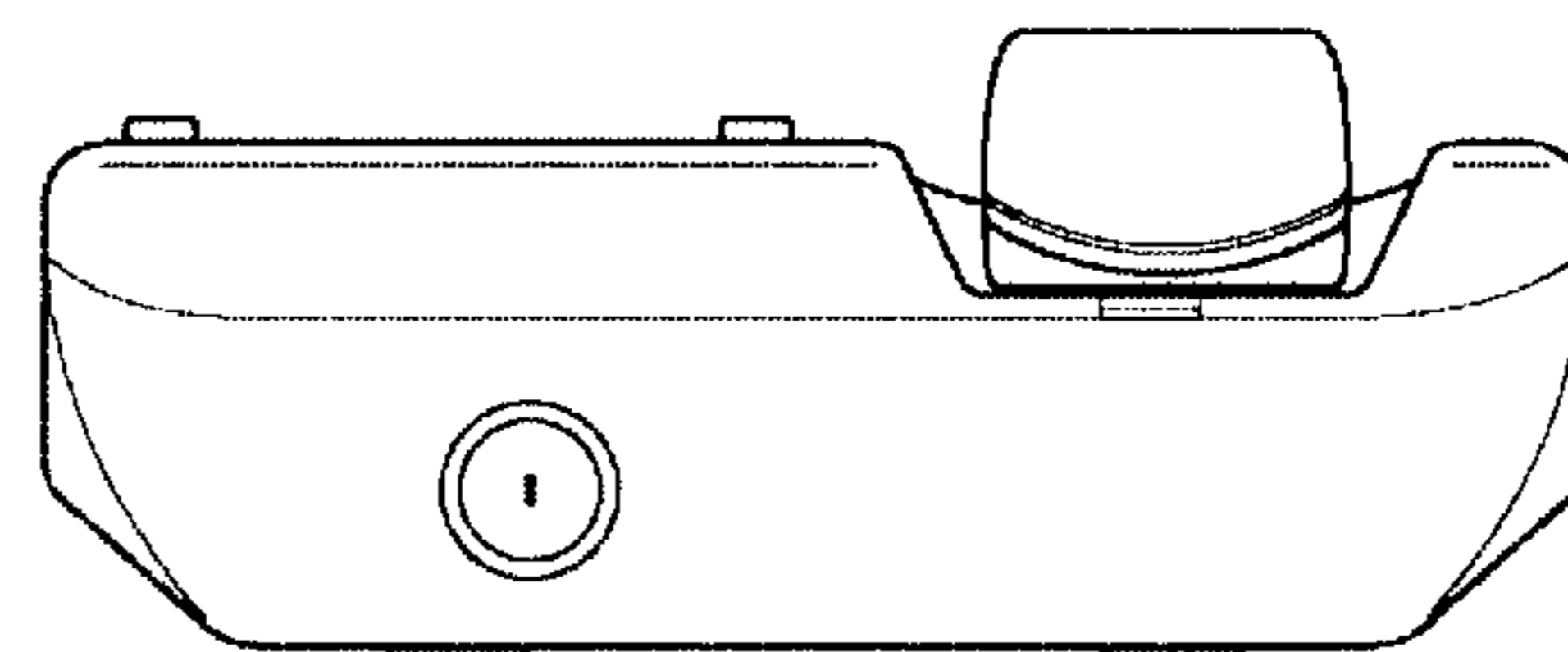


FIG. 18

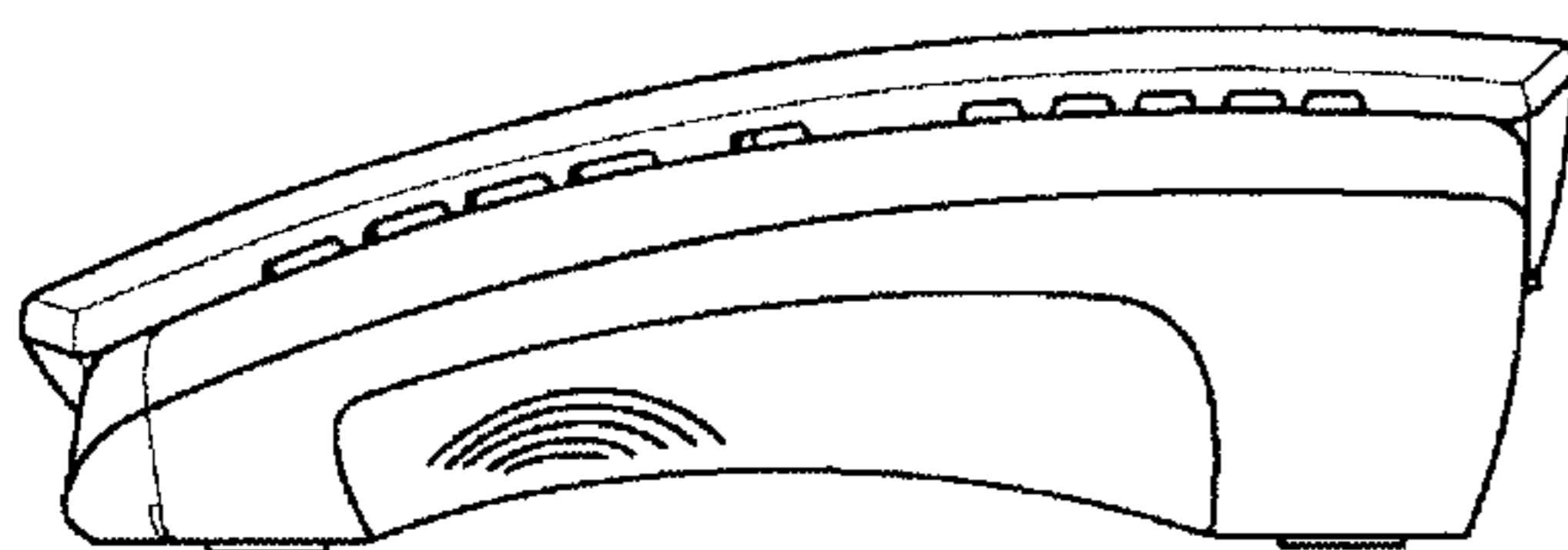


FIG. 19

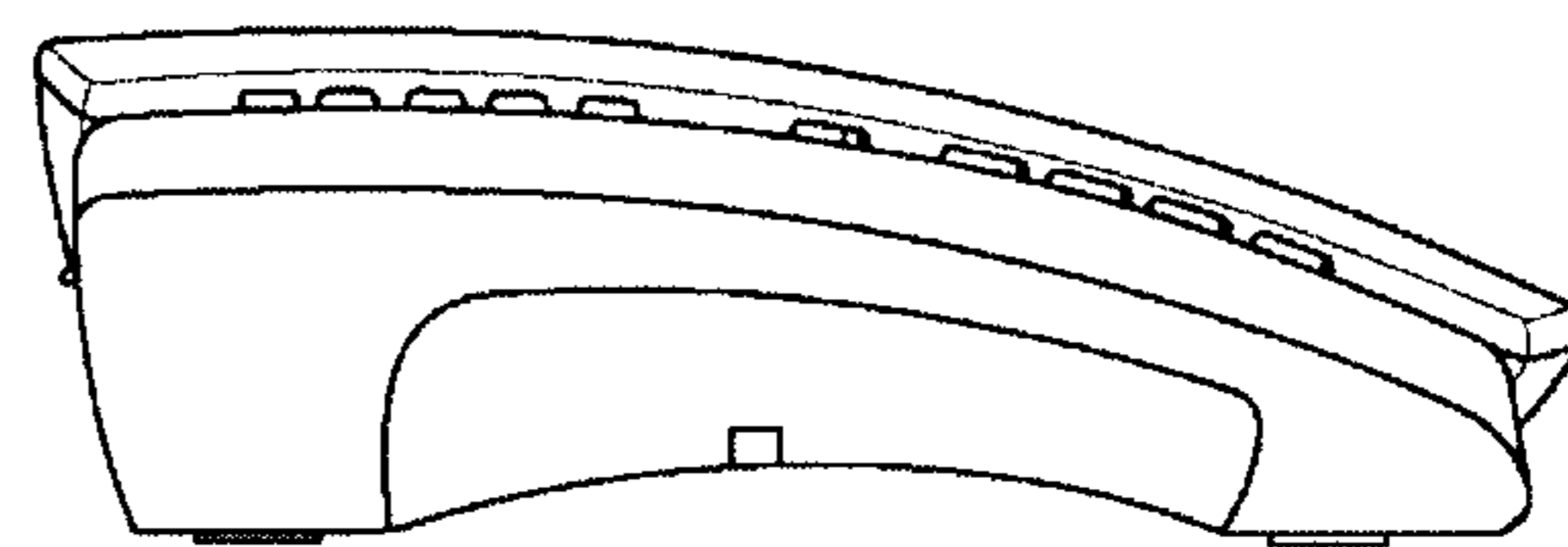


FIG. 20

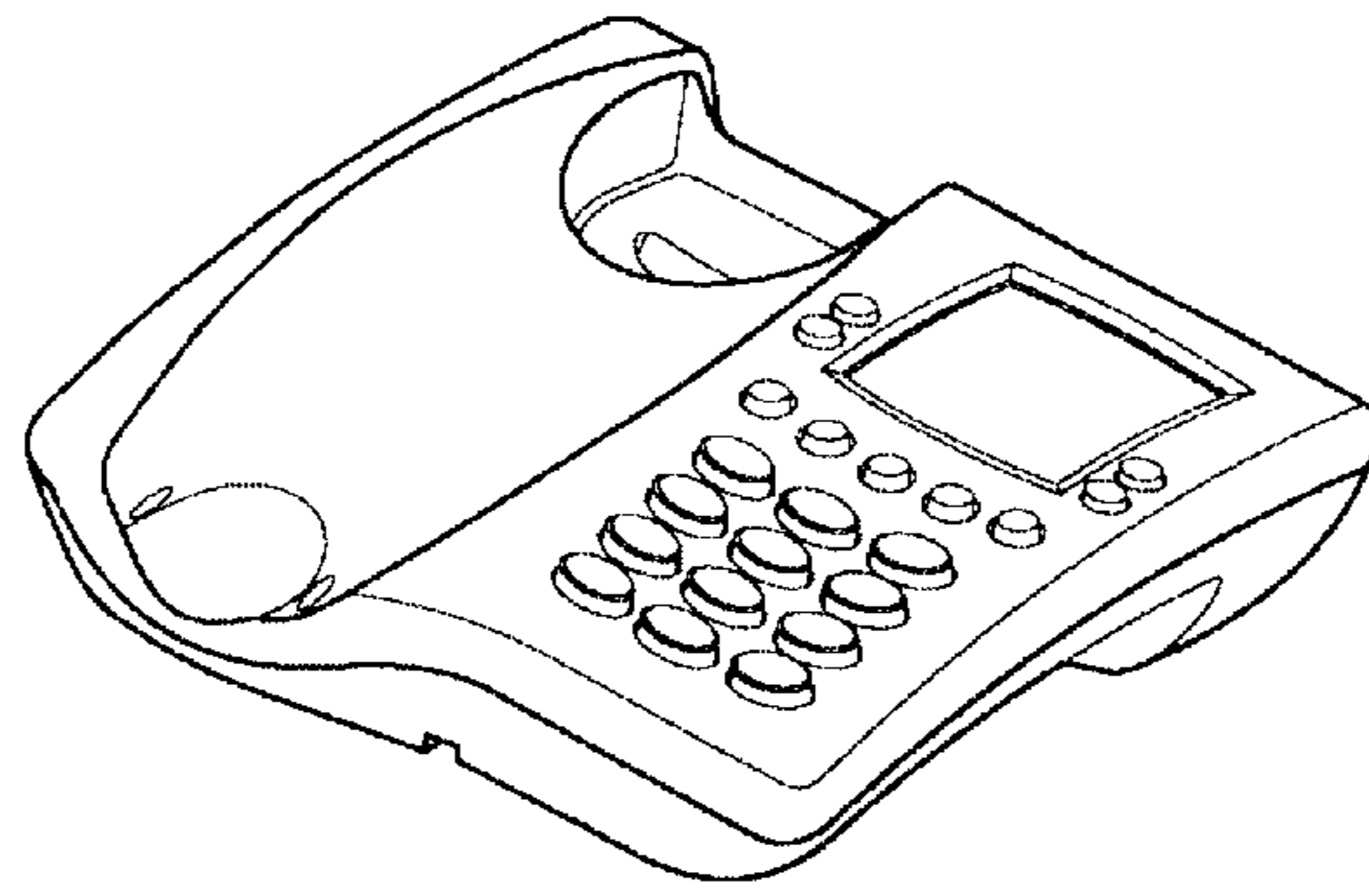


FIG. 21

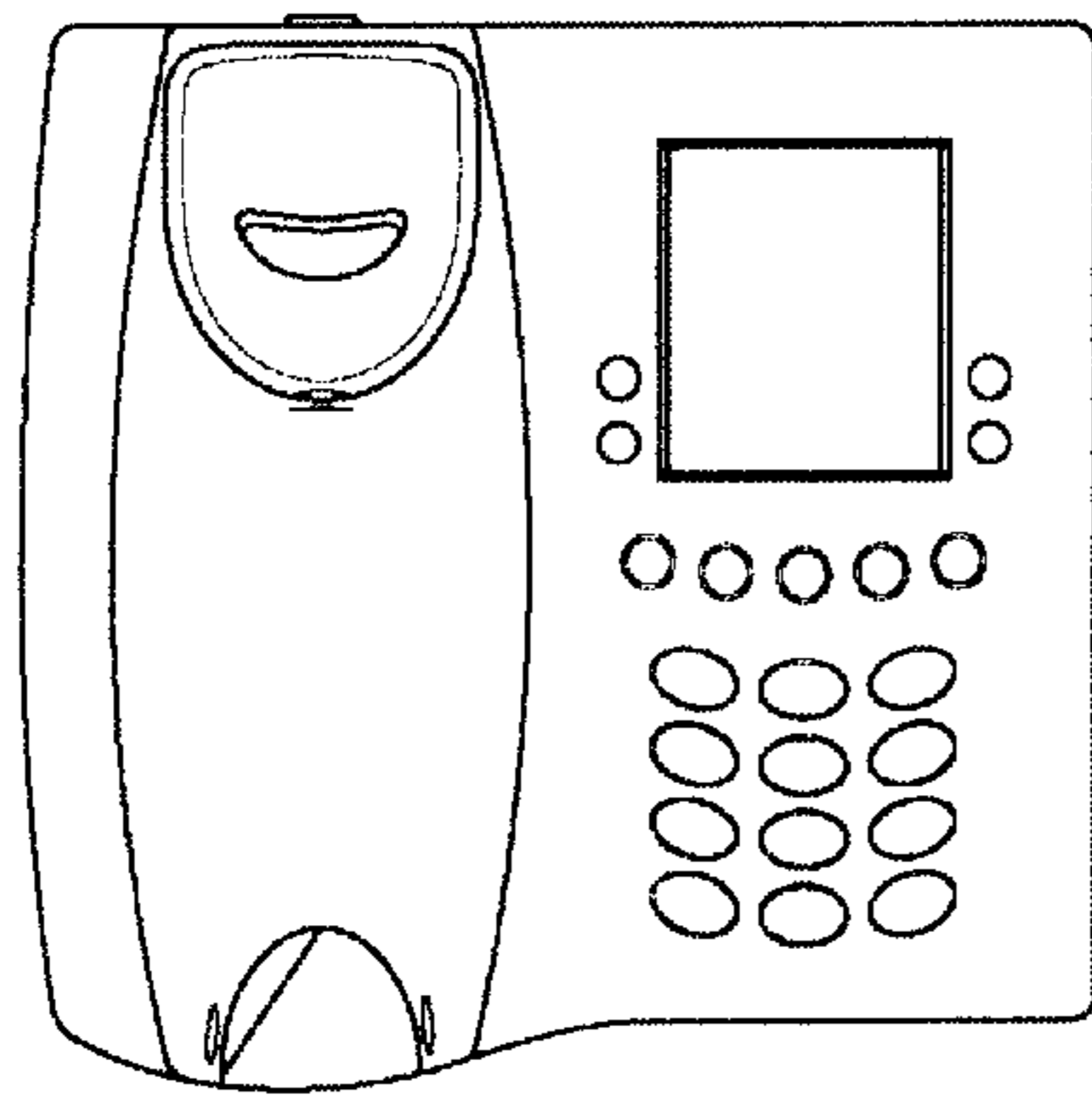


FIG. 22

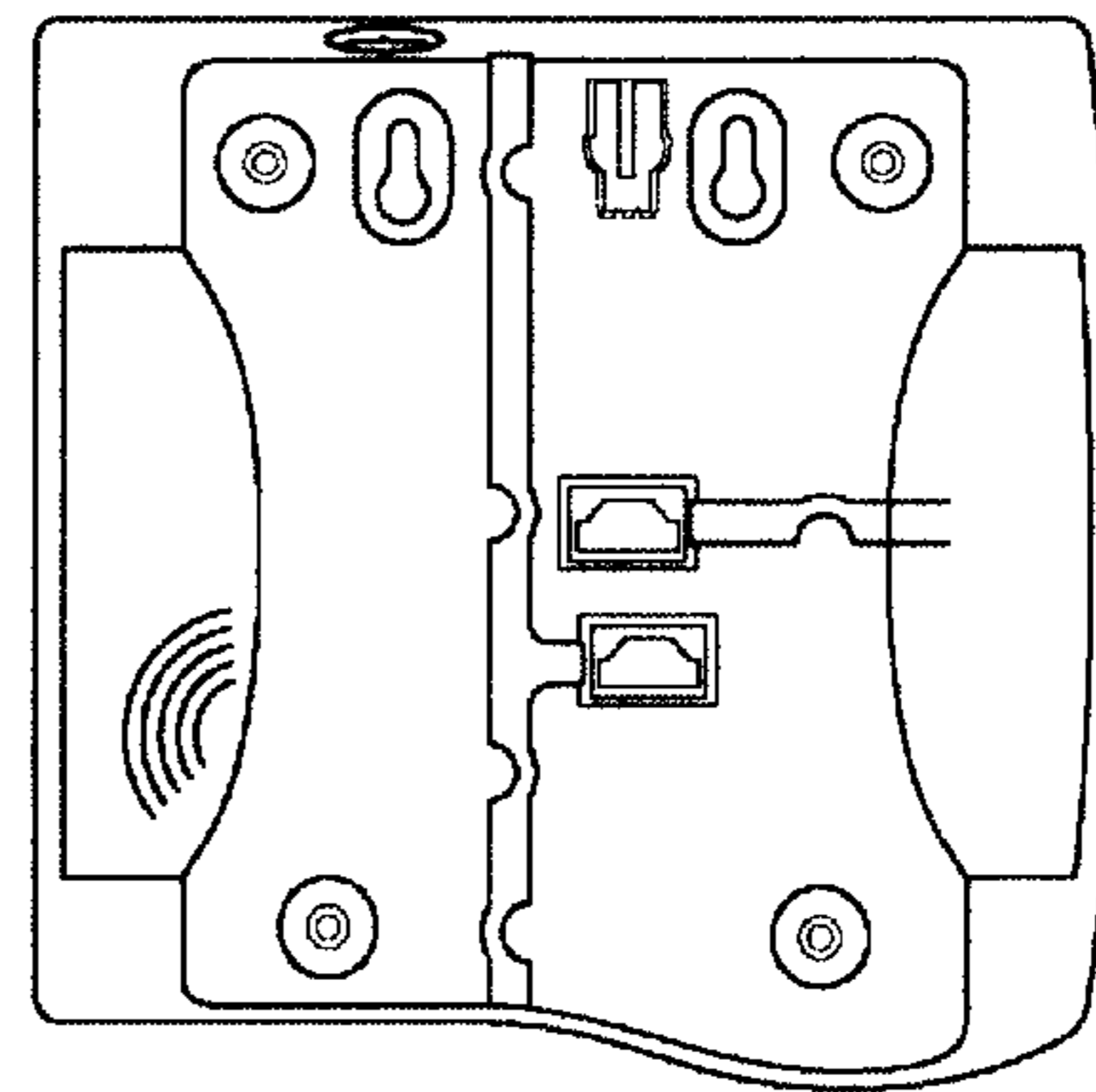


FIG. 23

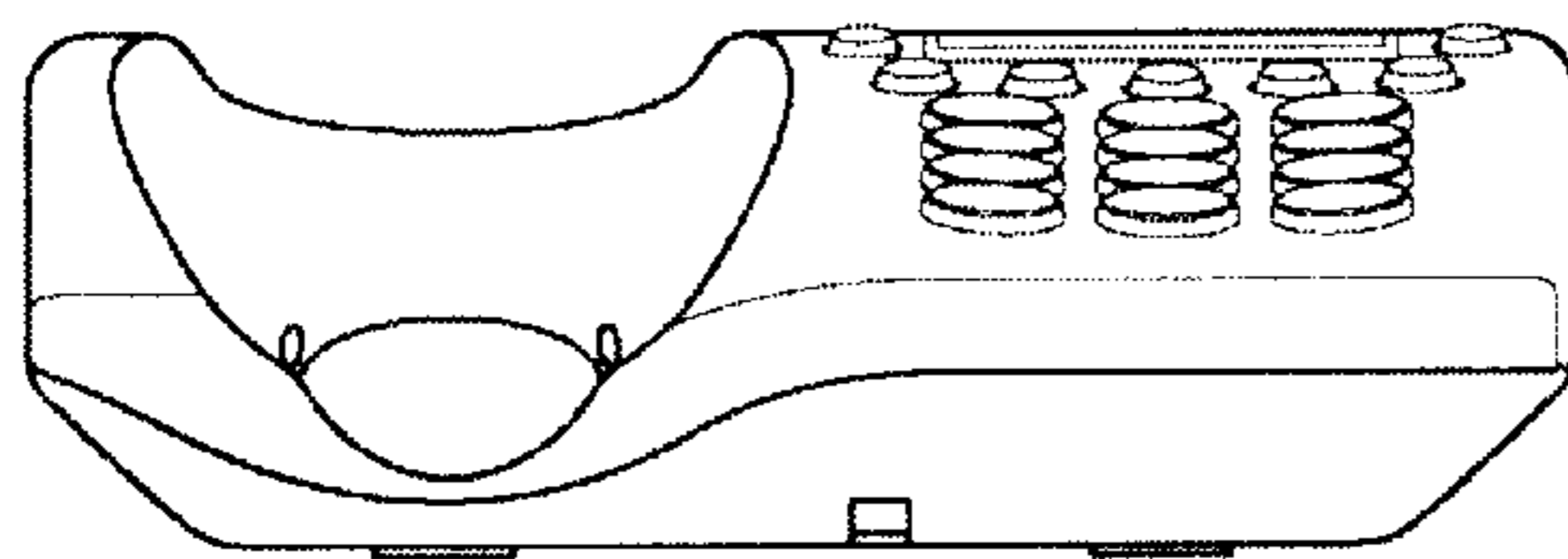


FIG. 24

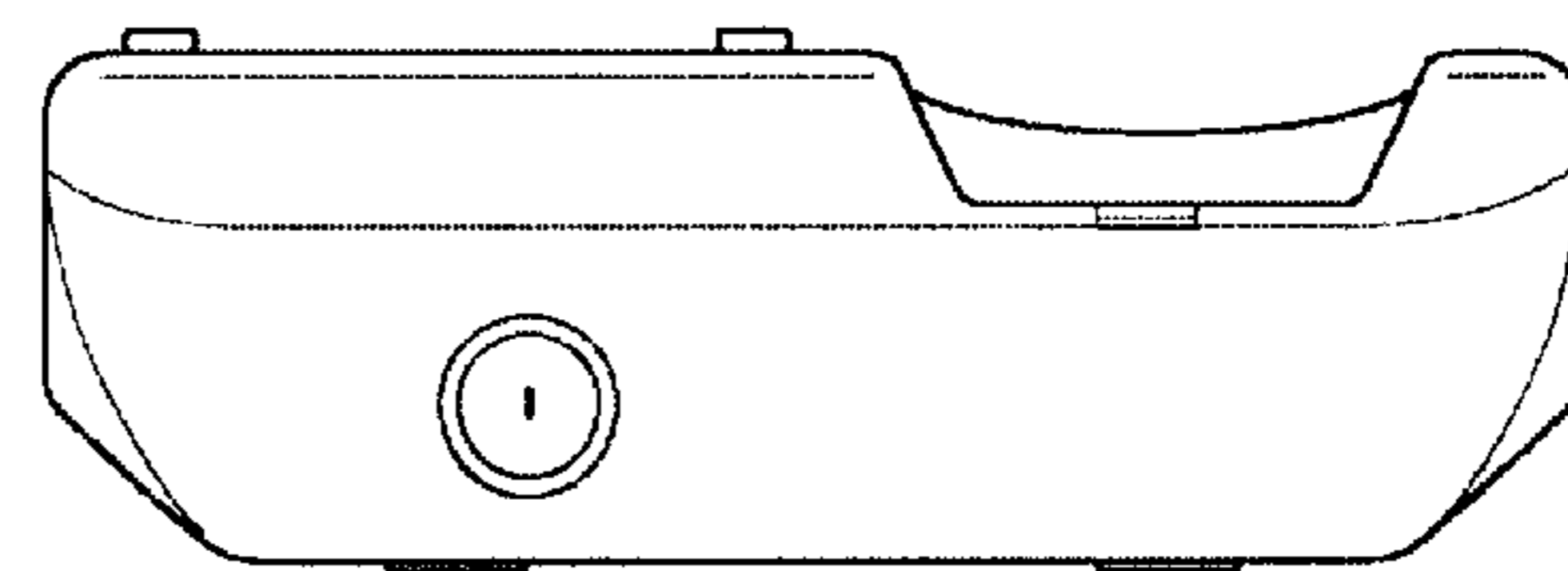


FIG. 25

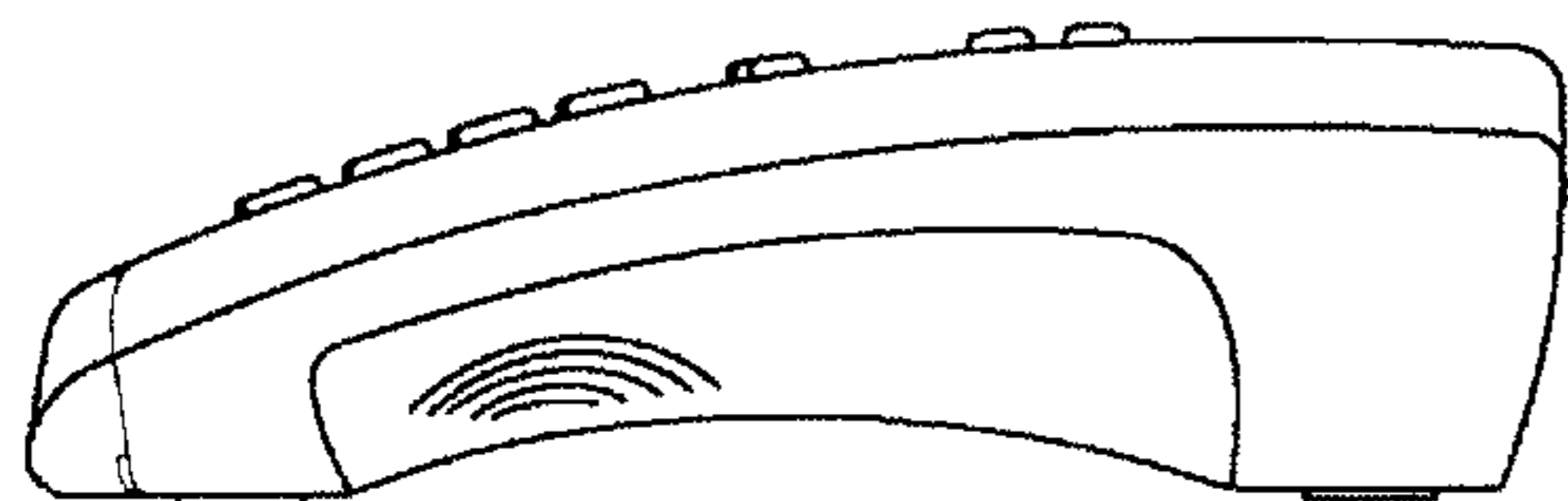


FIG. 26



FIG. 27

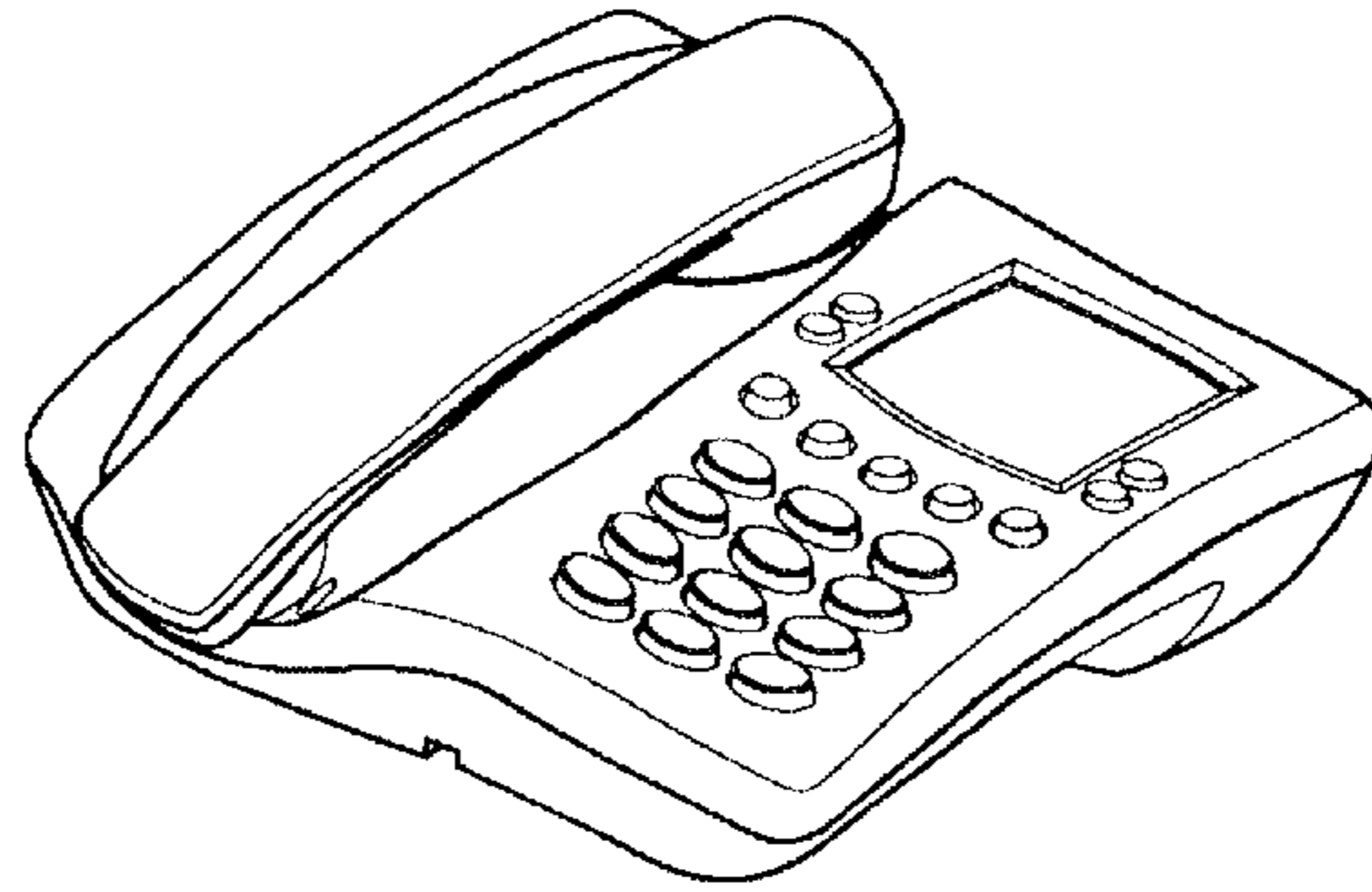


FIG. 28

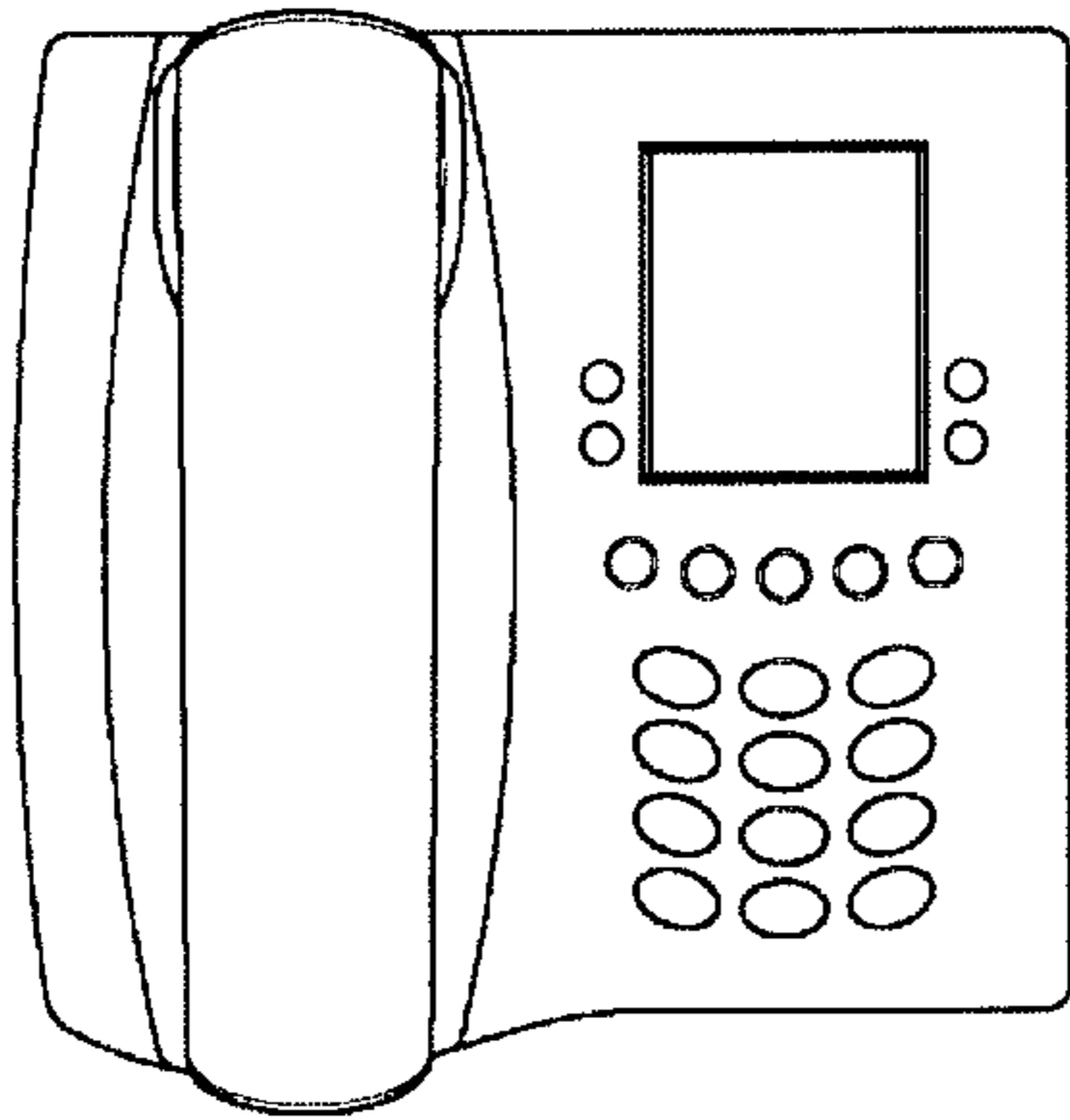


FIG. 29

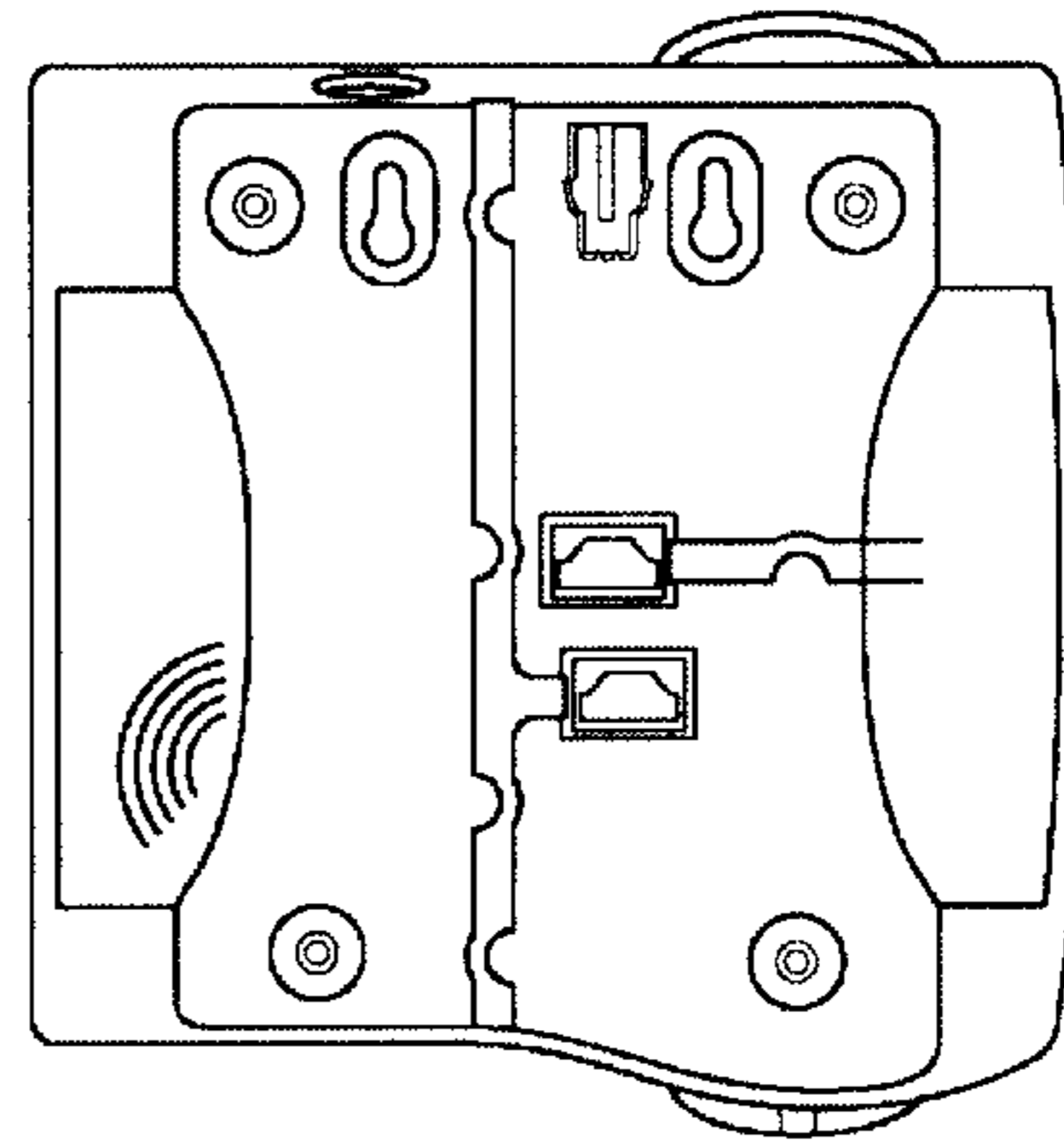


FIG. 30

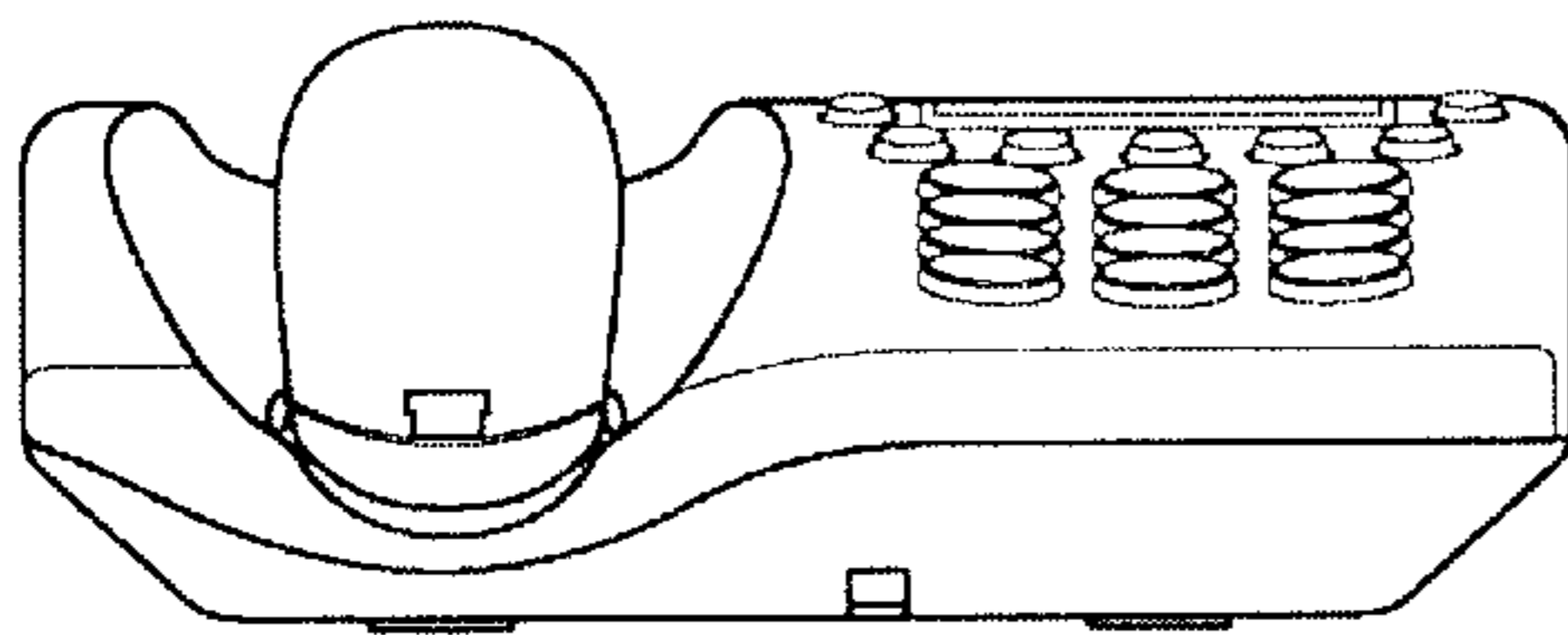


FIG. 31

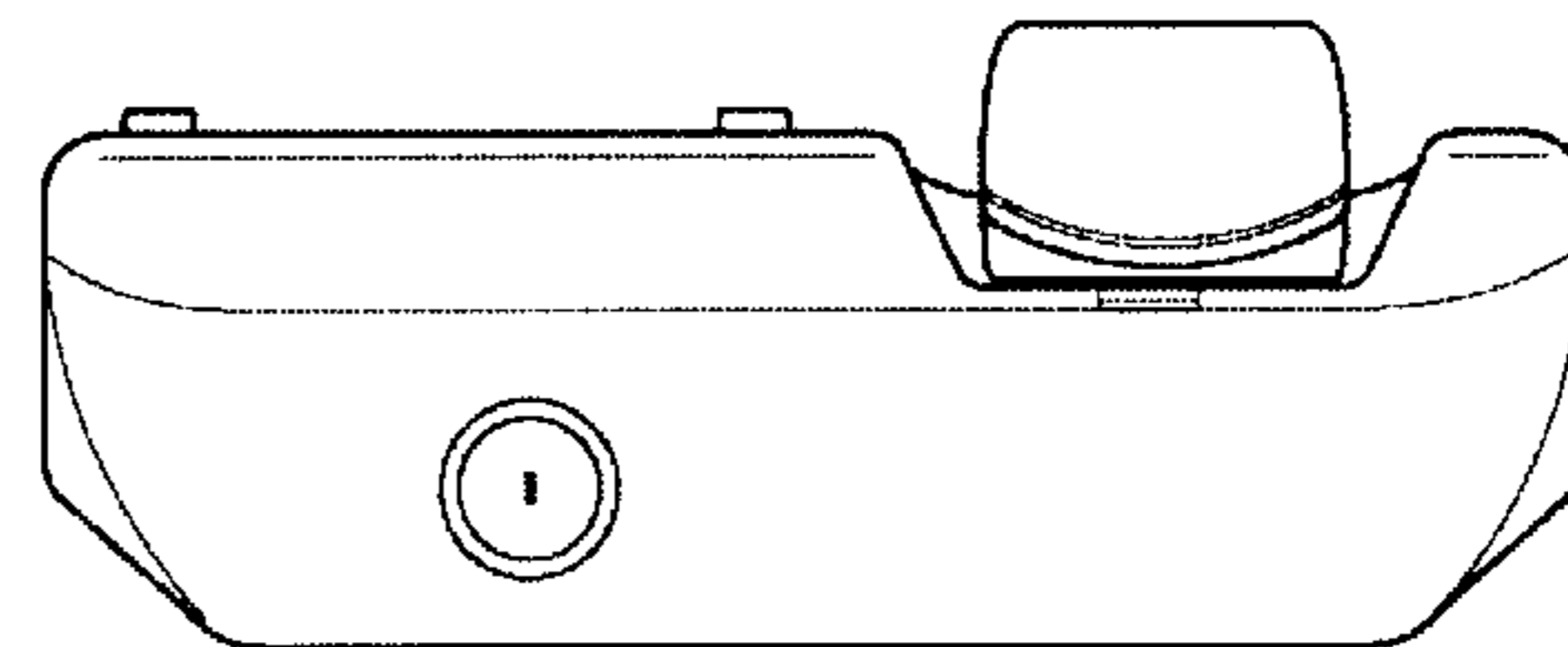


FIG. 32

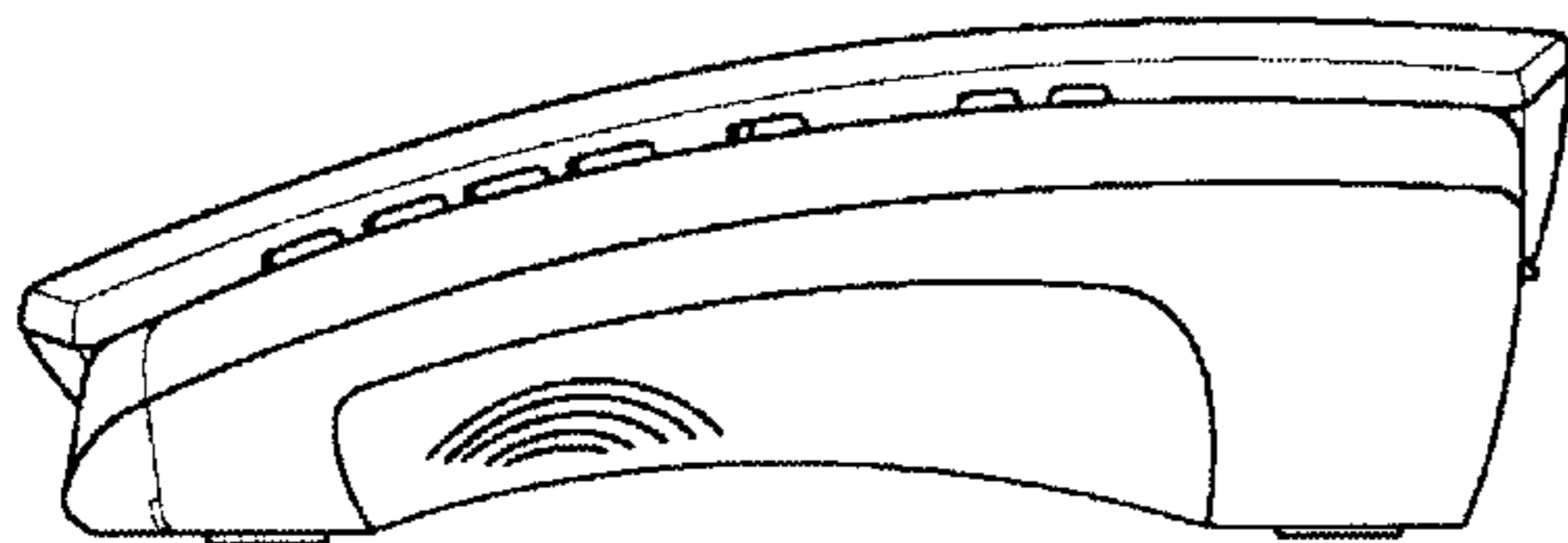


FIG. 33

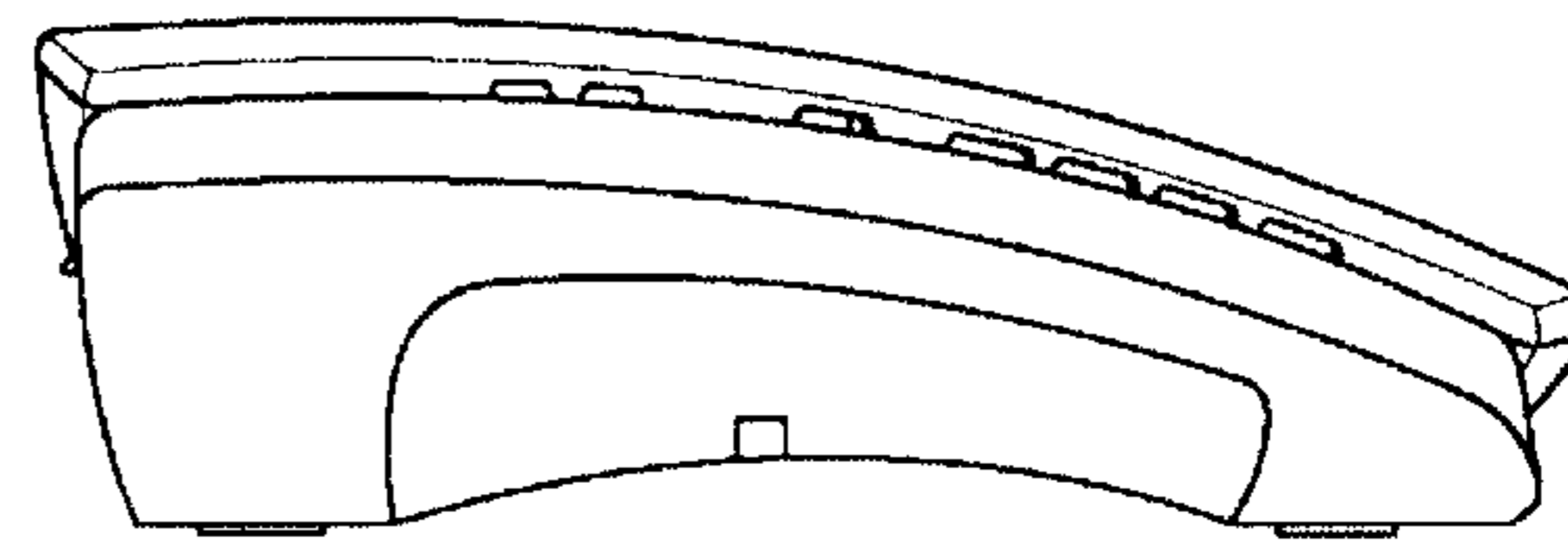


FIG. 34

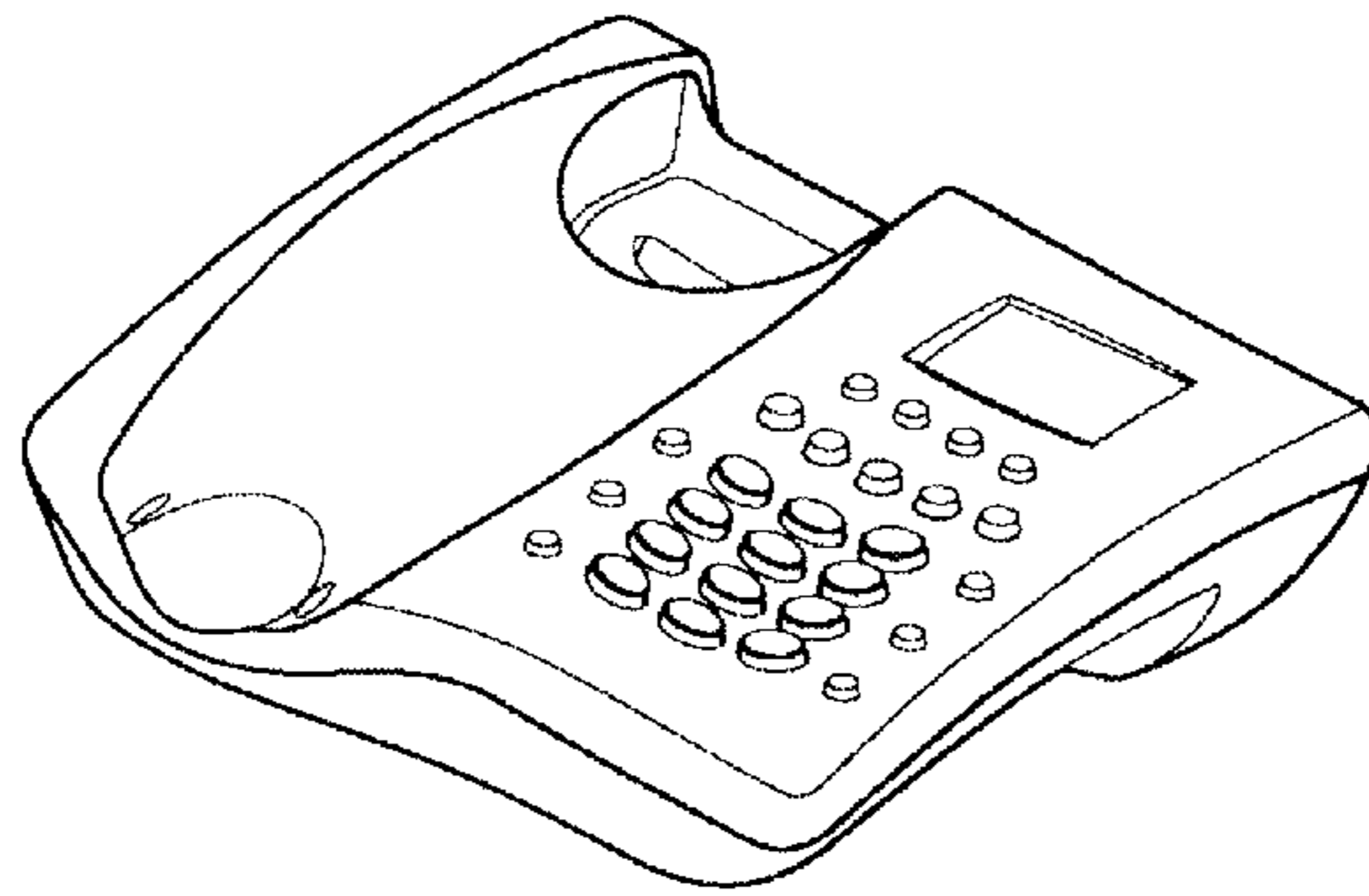


FIG. 35

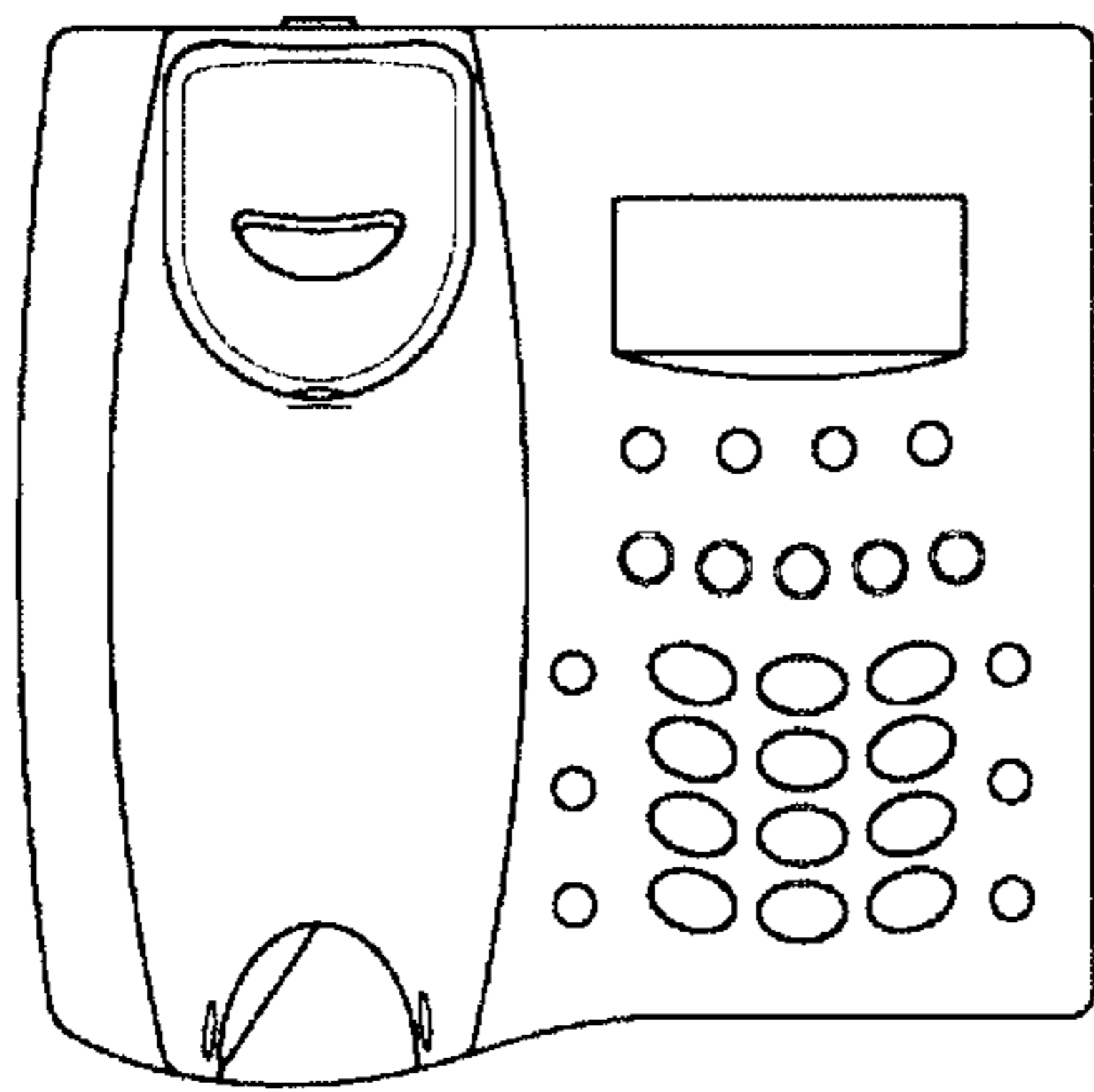


FIG. 36

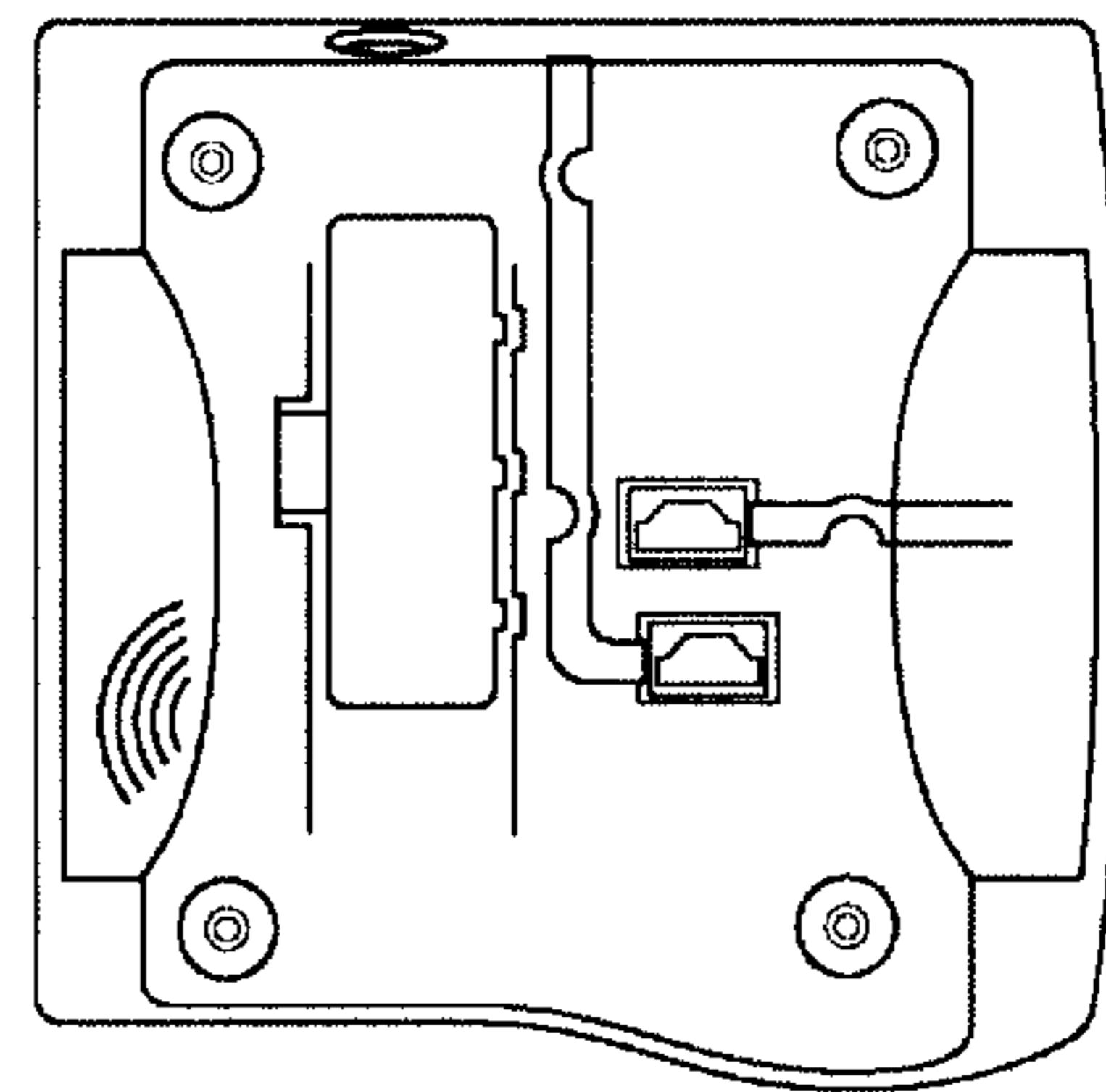


FIG. 37

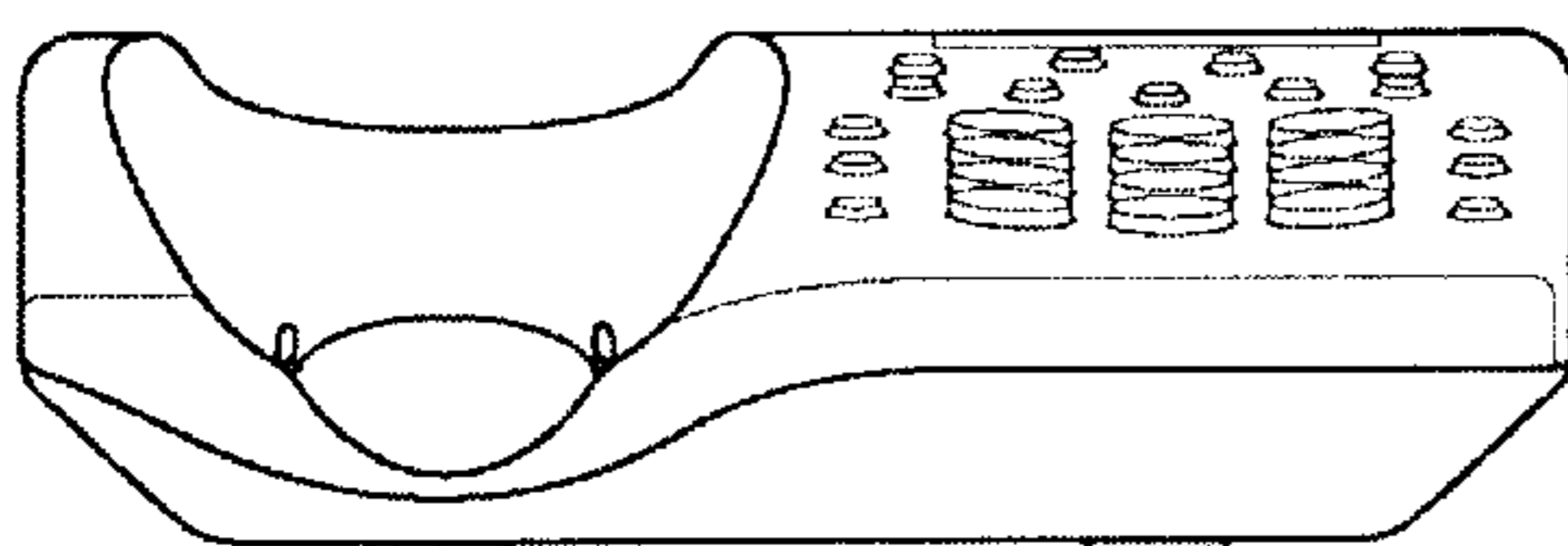


FIG. 38

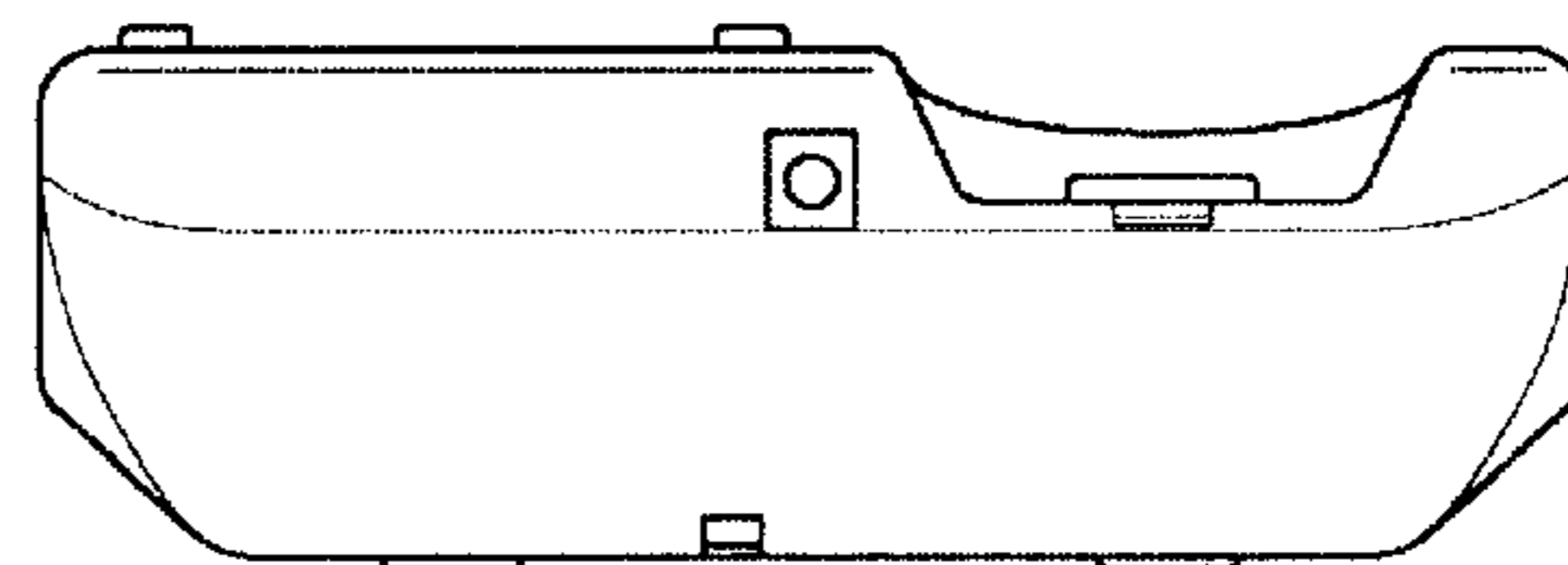


FIG. 39

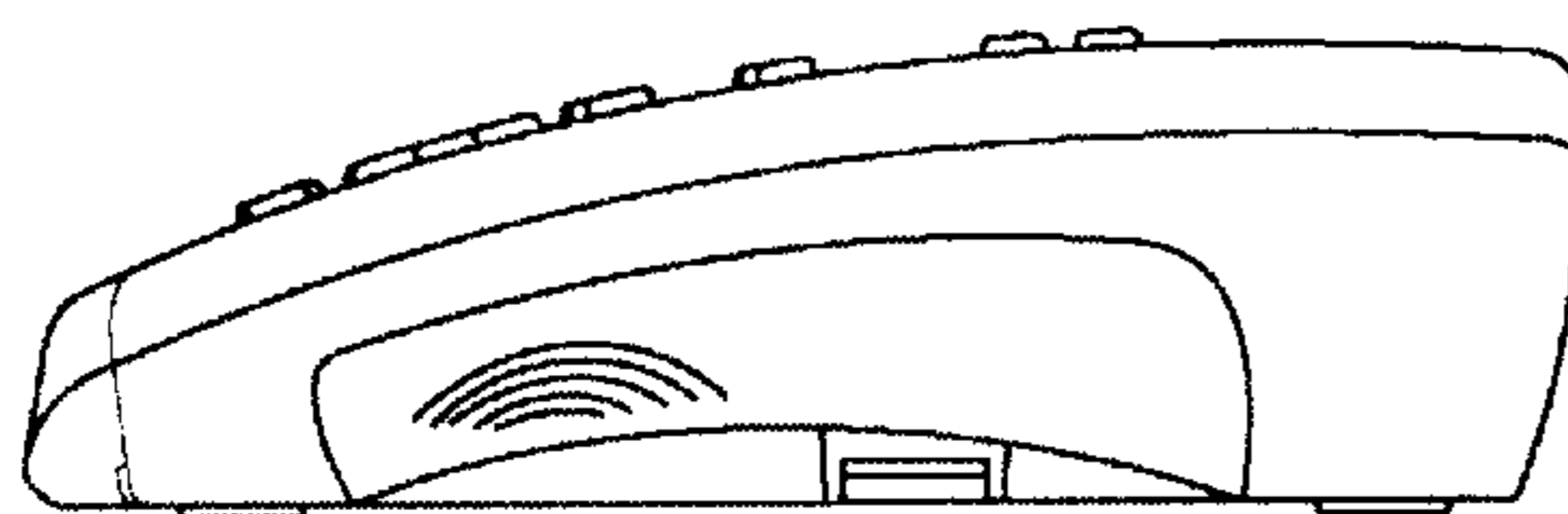


FIG. 40

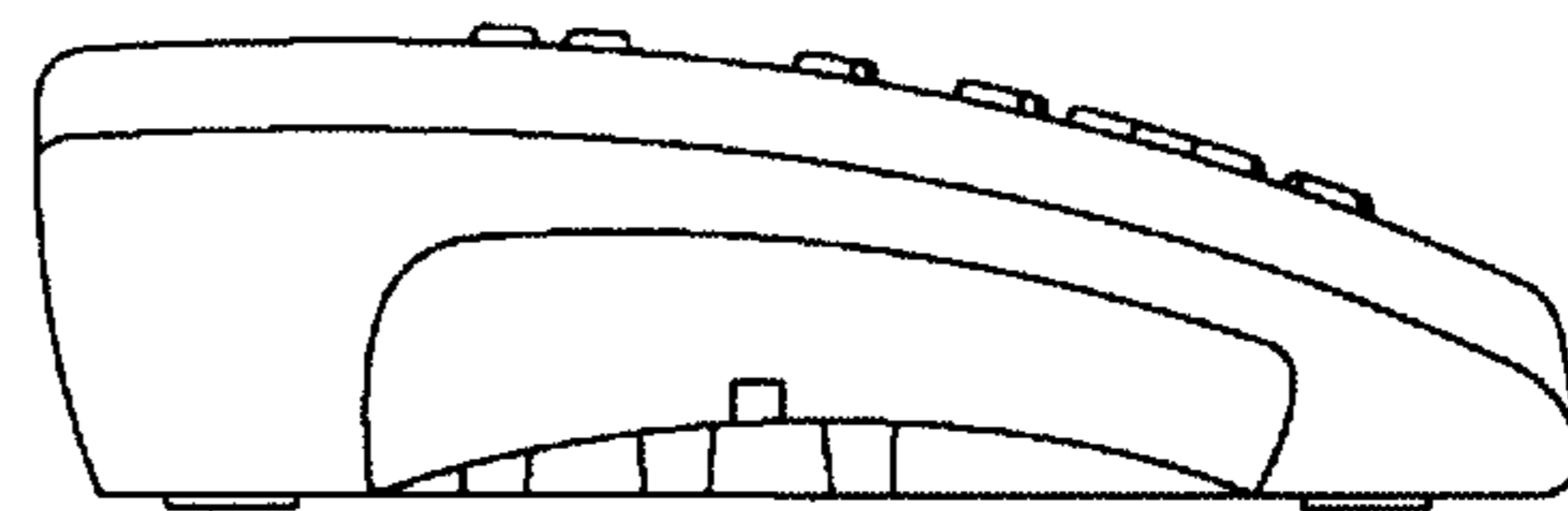


FIG. 41



FIG. 42

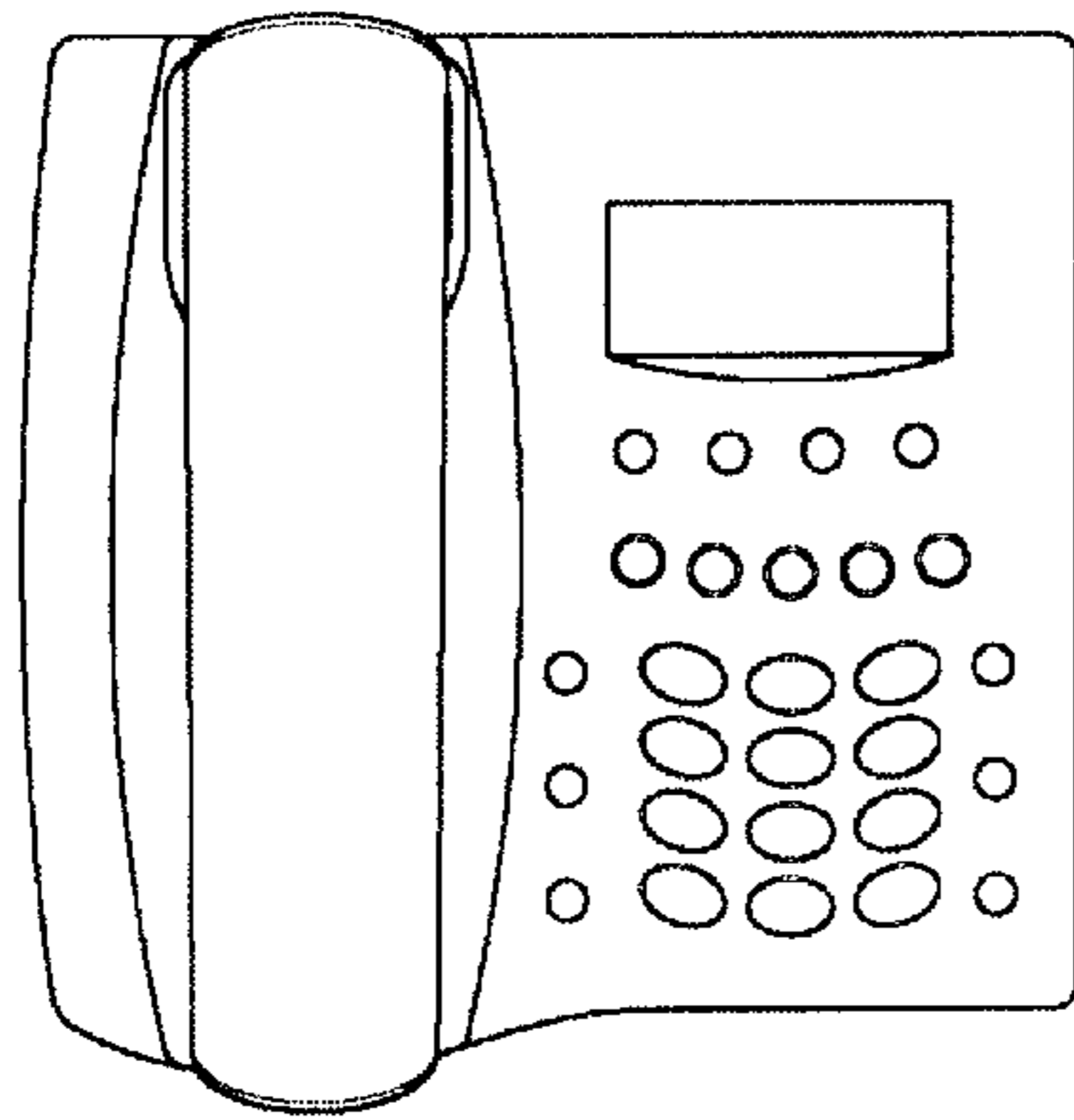


FIG. 43

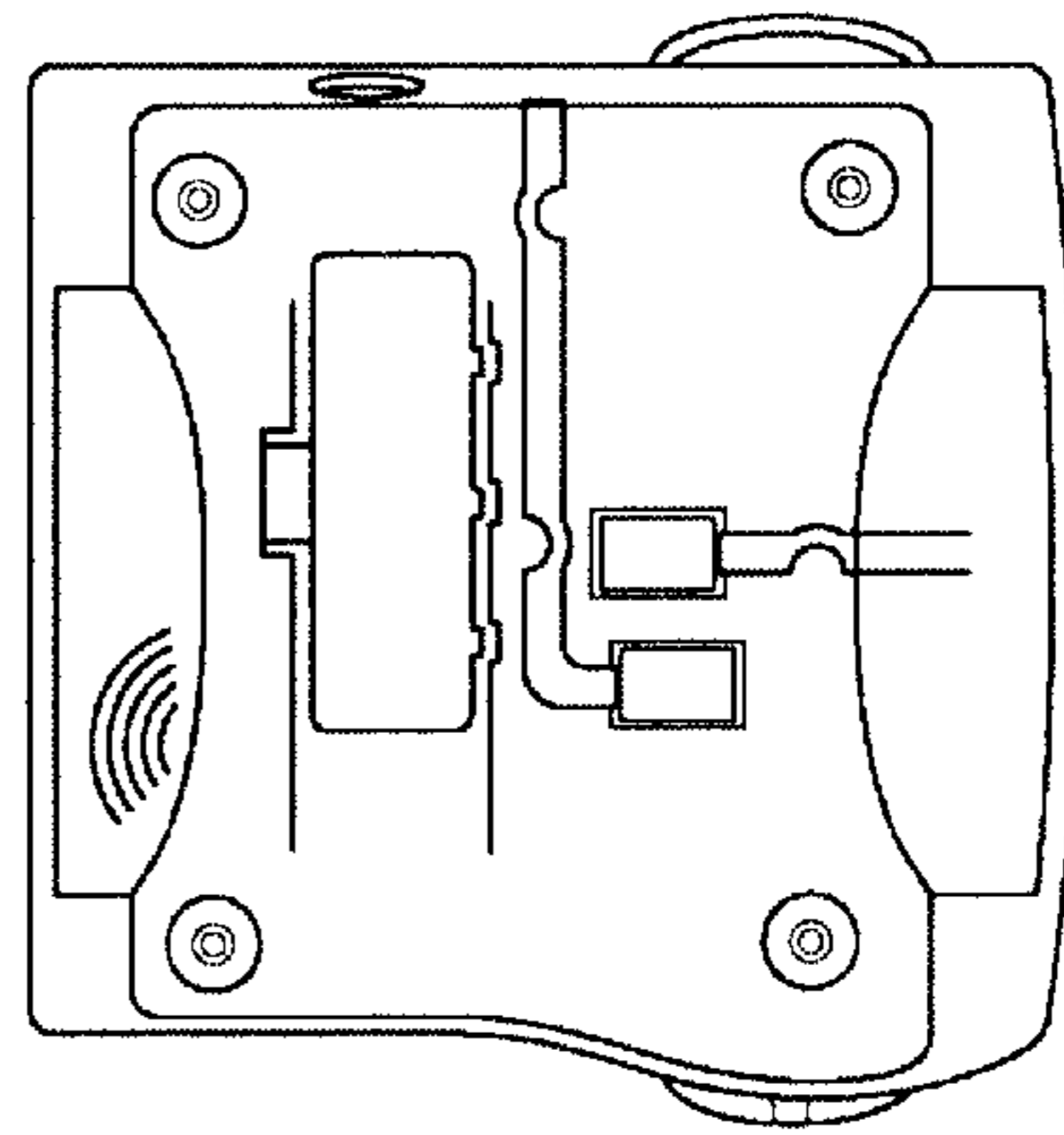


FIG. 44

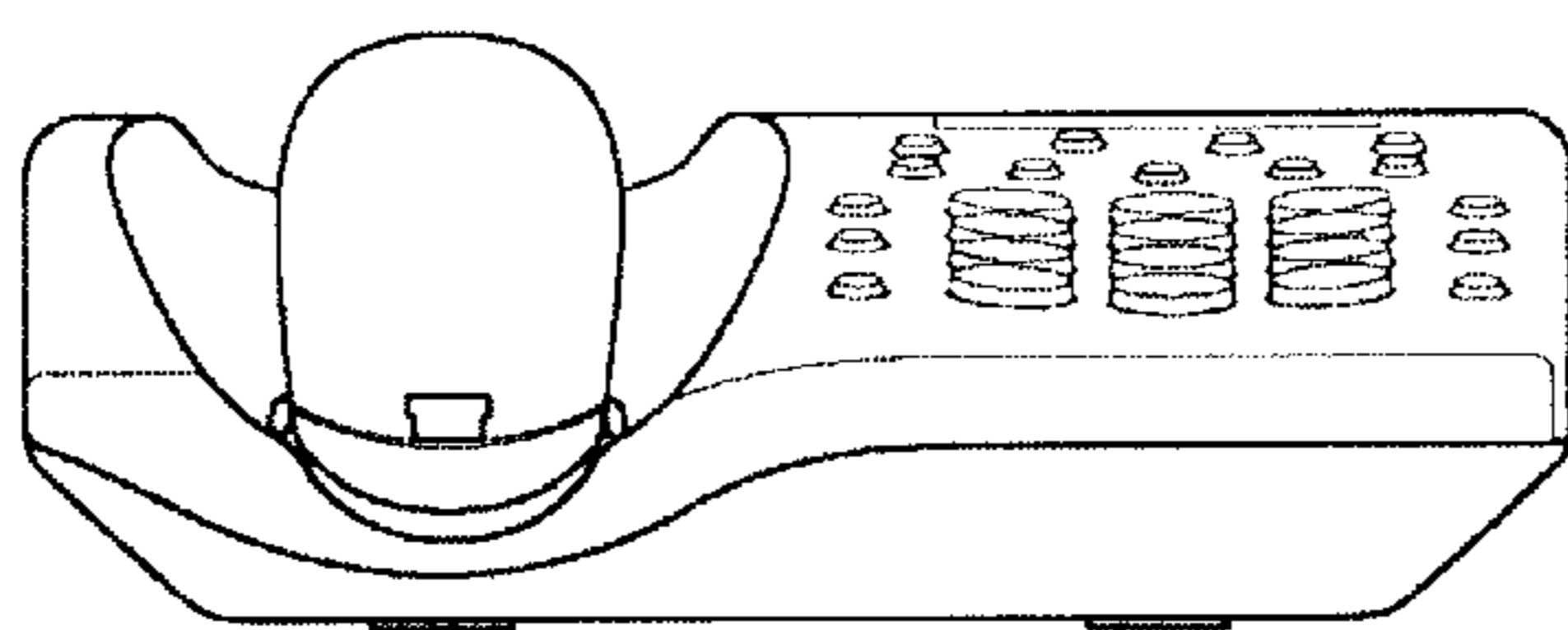


FIG. 45

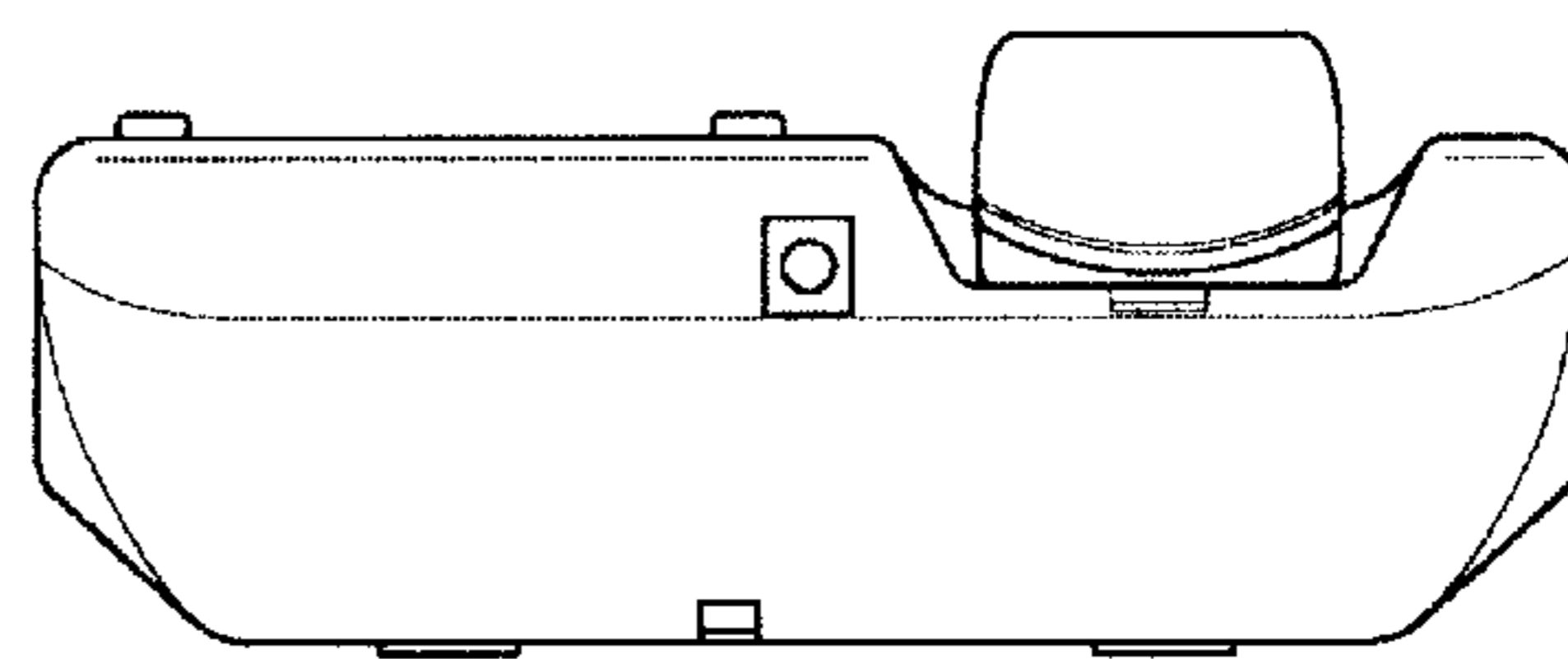


FIG. 46

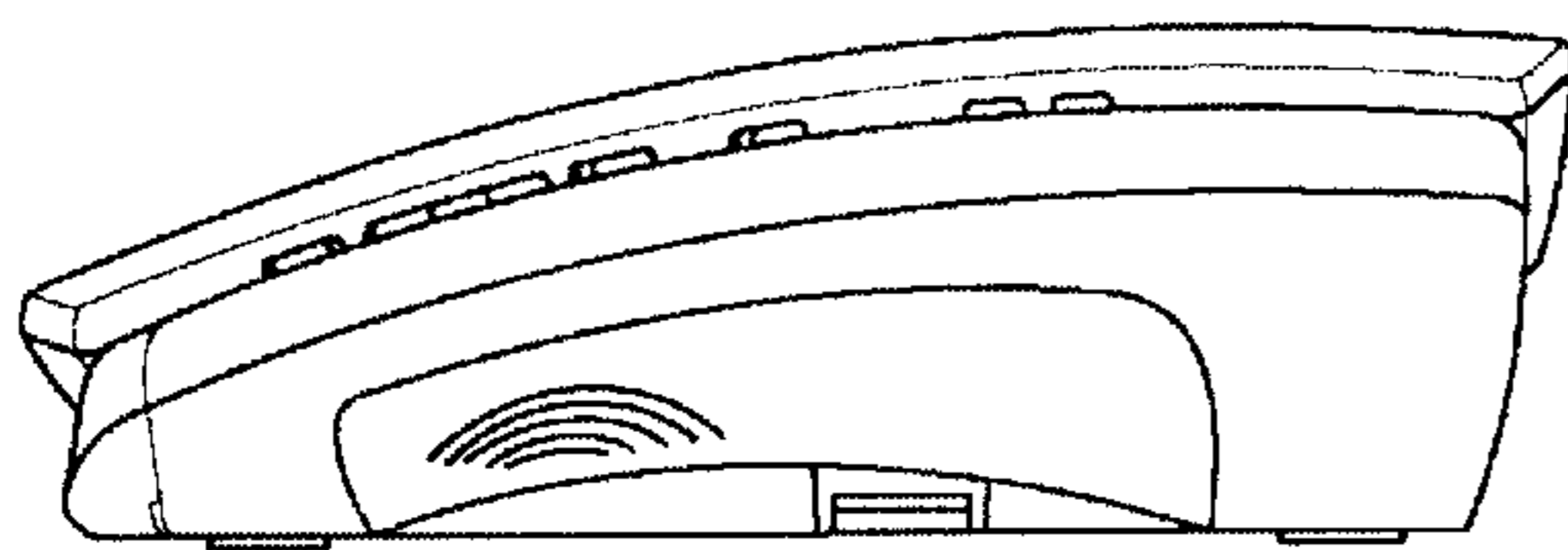


FIG. 47

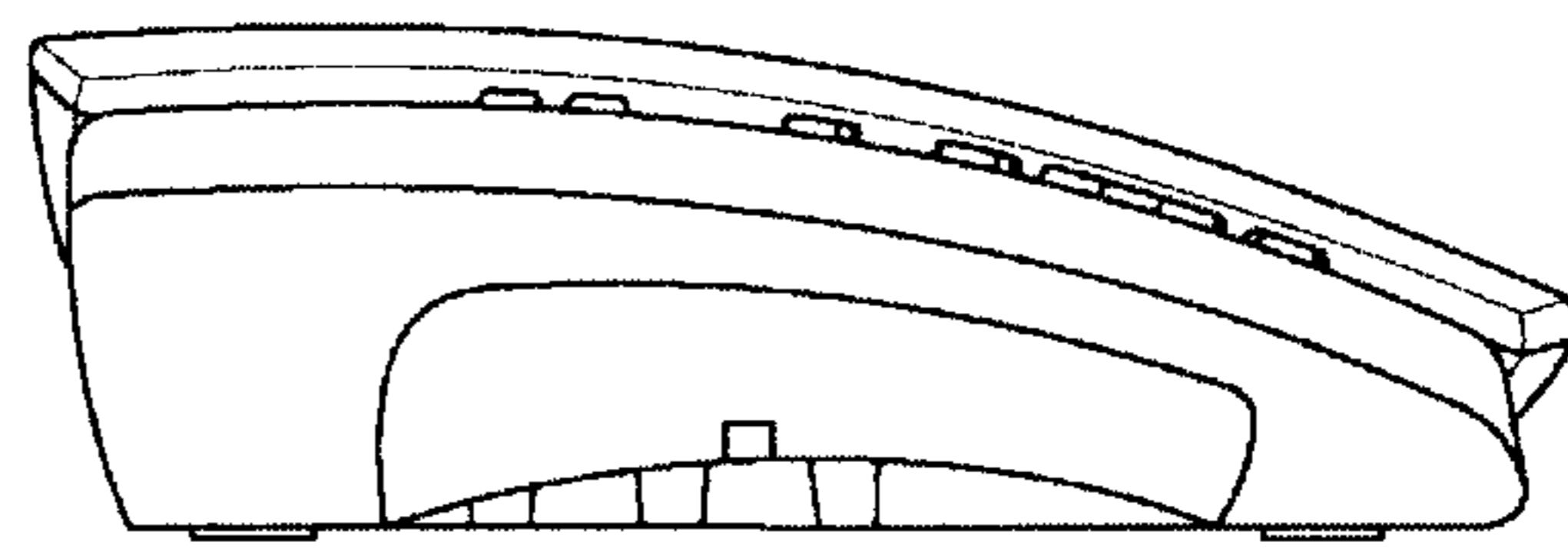


FIG. 48