



US00D511151S

(12) **United States Design Patent** (10) **Patent No.:** **US D511,151 S**
Wells (45) **Date of Patent:** **** Nov. 1, 2005**

(54) **SET TOP BOX**
(75) Inventor: **Jonathan Wells**, Wicken (GB)
(73) Assignee: **Amino Holdings Limited**, Cambridge (GB)
(**) Term: **14 Years**
(21) Appl. No.: **29/188,575**
(22) Filed: **Aug. 14, 2003**
(30) **Foreign Application Priority Data**
Feb. 14, 2003 (GB) 3010913
(51) **LOC (8) Cl.** **14-03**
(52) **U.S. Cl.** **D14/125**
(58) **Field of Search** D14/357-358,
D14/125, 239, 496, 188, 242, 432; D13/184;
348/10, 460, 706, 731; 340/825.03; 455/6.1,
6.2; 312/223.1

(56) **References Cited**
U.S. PATENT DOCUMENTS
D380,199 S * 6/1997 Beruscha et al. D13/184
D414,763 S * 10/1999 Iftikar D14/125

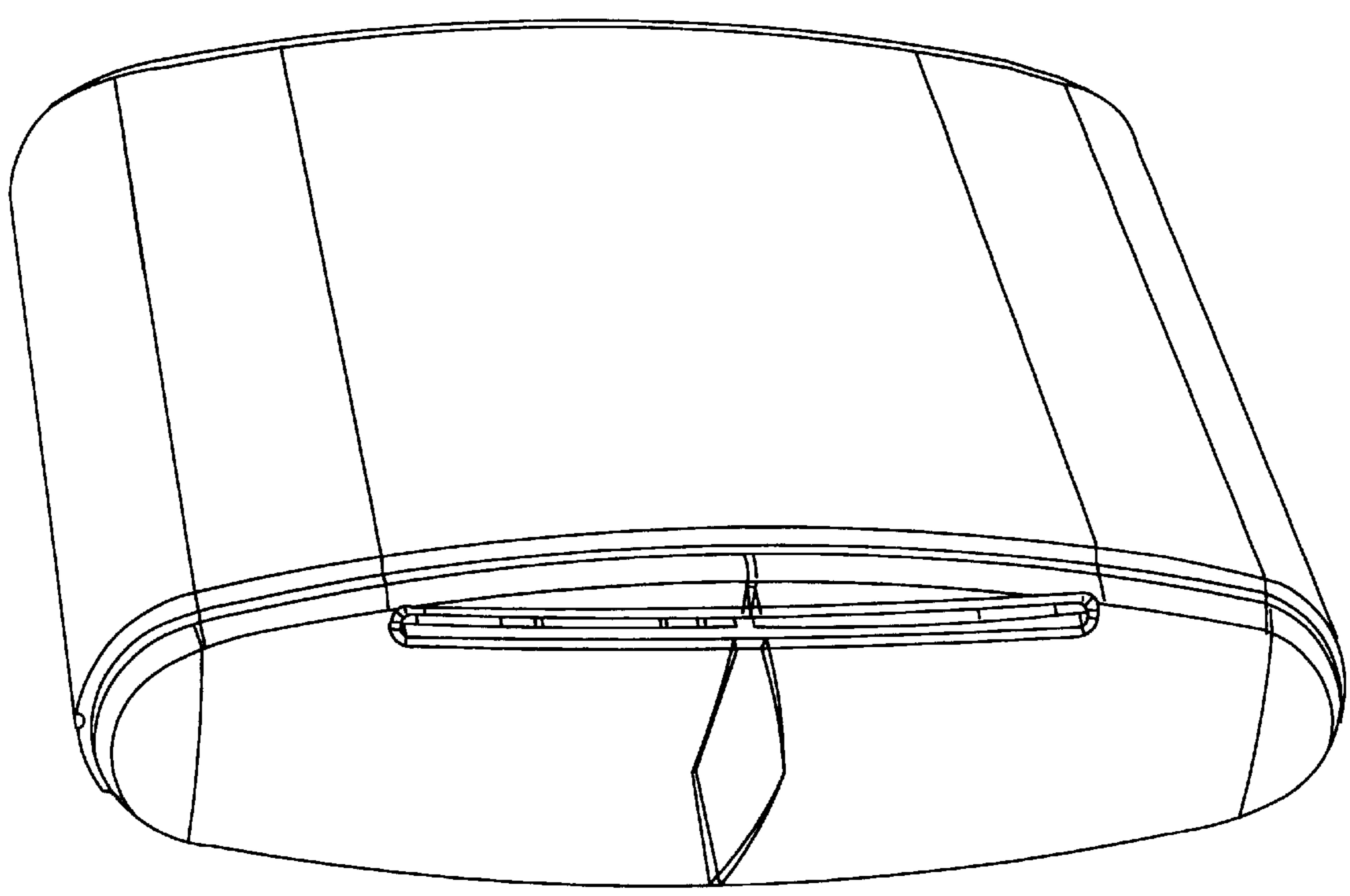
D470,464 S * 2/2003 Loiske et al. D14/125
D487,087 S * 2/2004 Wang D14/357
D488,819 S * 4/2004 Nagao et al. D14/496

* cited by examiner
Primary Examiner—Raphael Barkai
(74) *Attorney, Agent, or Firm*—Lawrence G. Fridman

(57) **CLAIM**
The ornamental design for a set top box, as shown and described.

DESCRIPTION
FIG. 1 is a perspective view of a set top box showing Applicants' new design;
FIG. 2 is another perspective view thereof;
FIG. 3 is a top plan view thereof;
FIG. 4 is a front elevational view thereof;
FIG. 5 is a bottom plan view thereof;
FIG. 6 is one side elevational view thereof;
FIG. 7 is another side elevational view thereof; and,
FIG. 8 is a rear elevational view thereof.
Items shown in phantom lines are for the background purposes only and do not form a part of the invention.

1 Claim, 4 Drawing Sheets



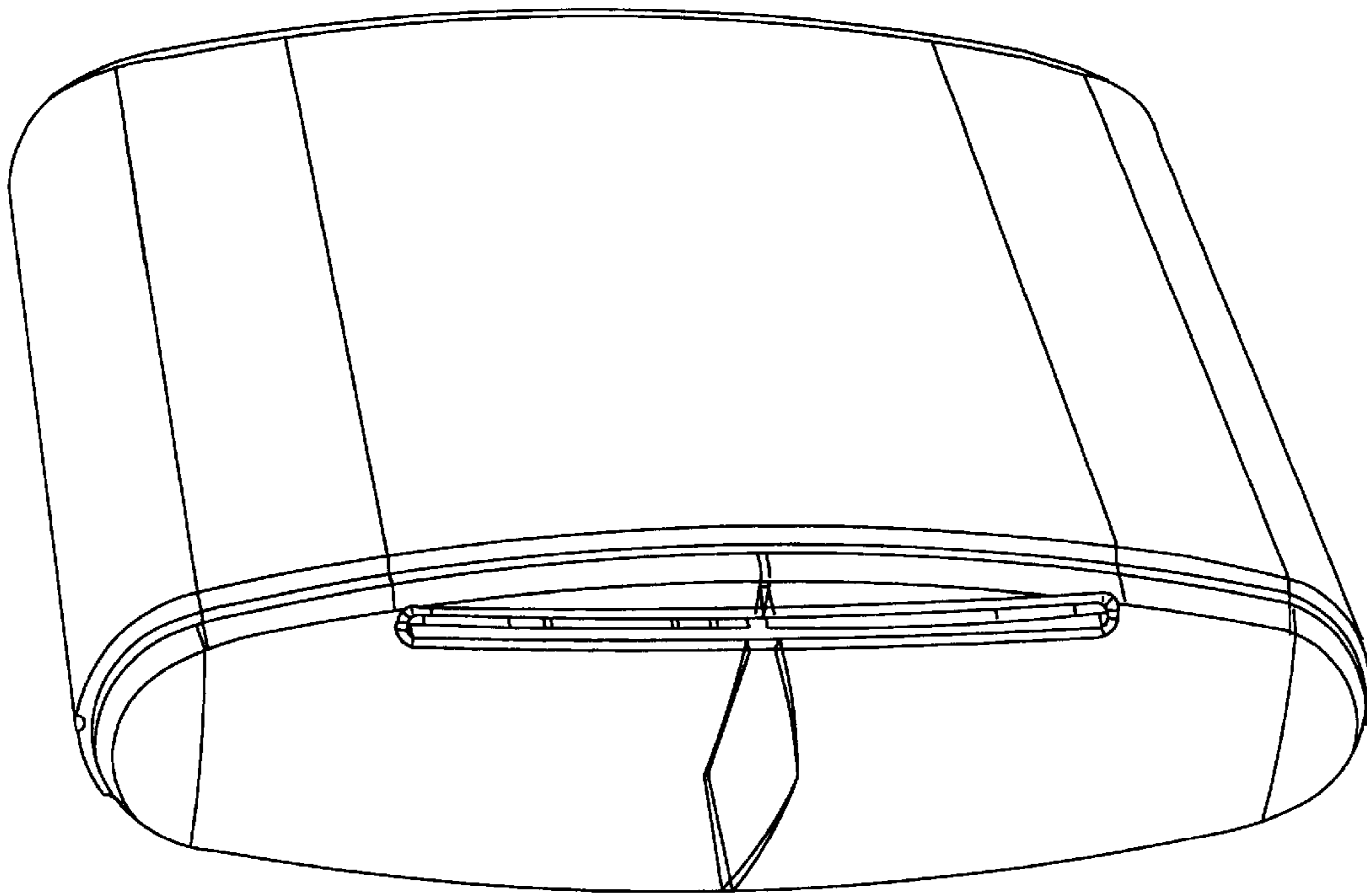


FIG. 1

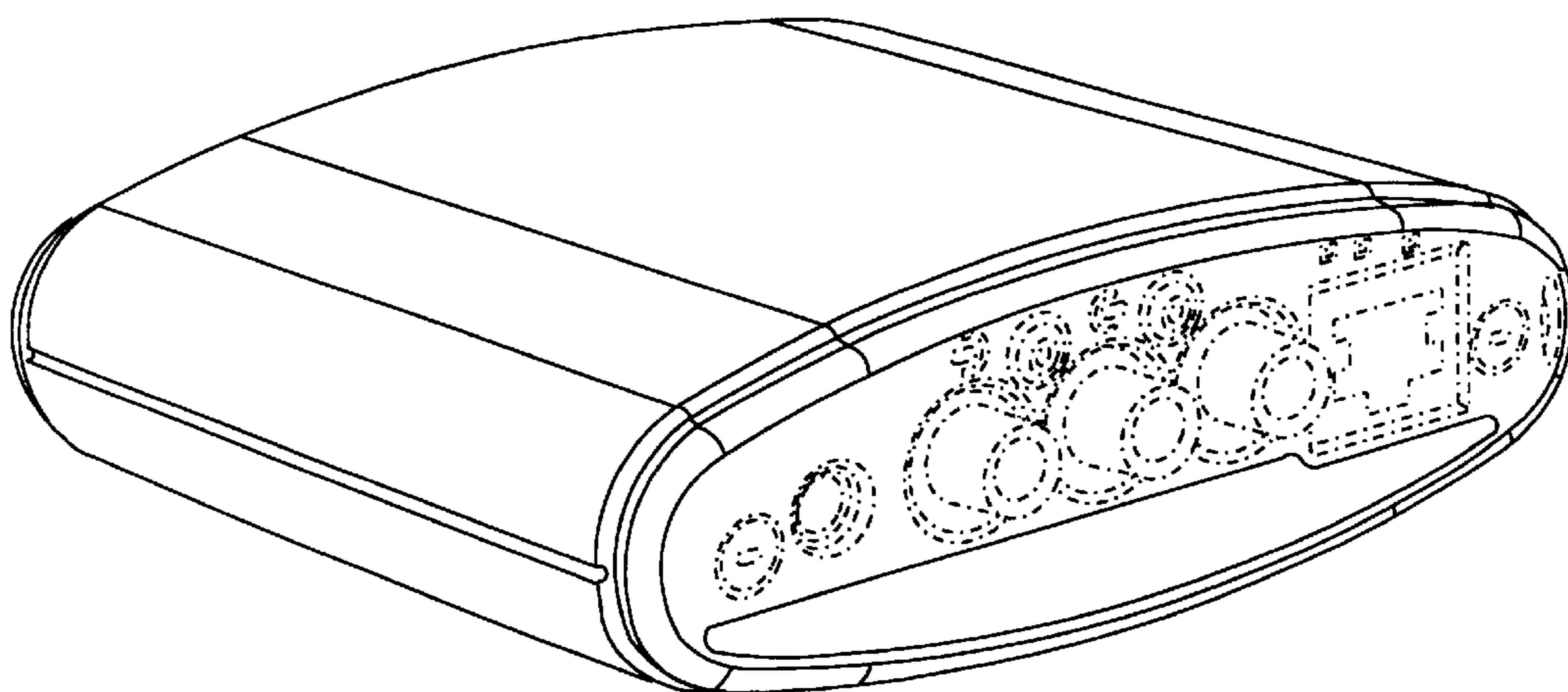


FIG. 2

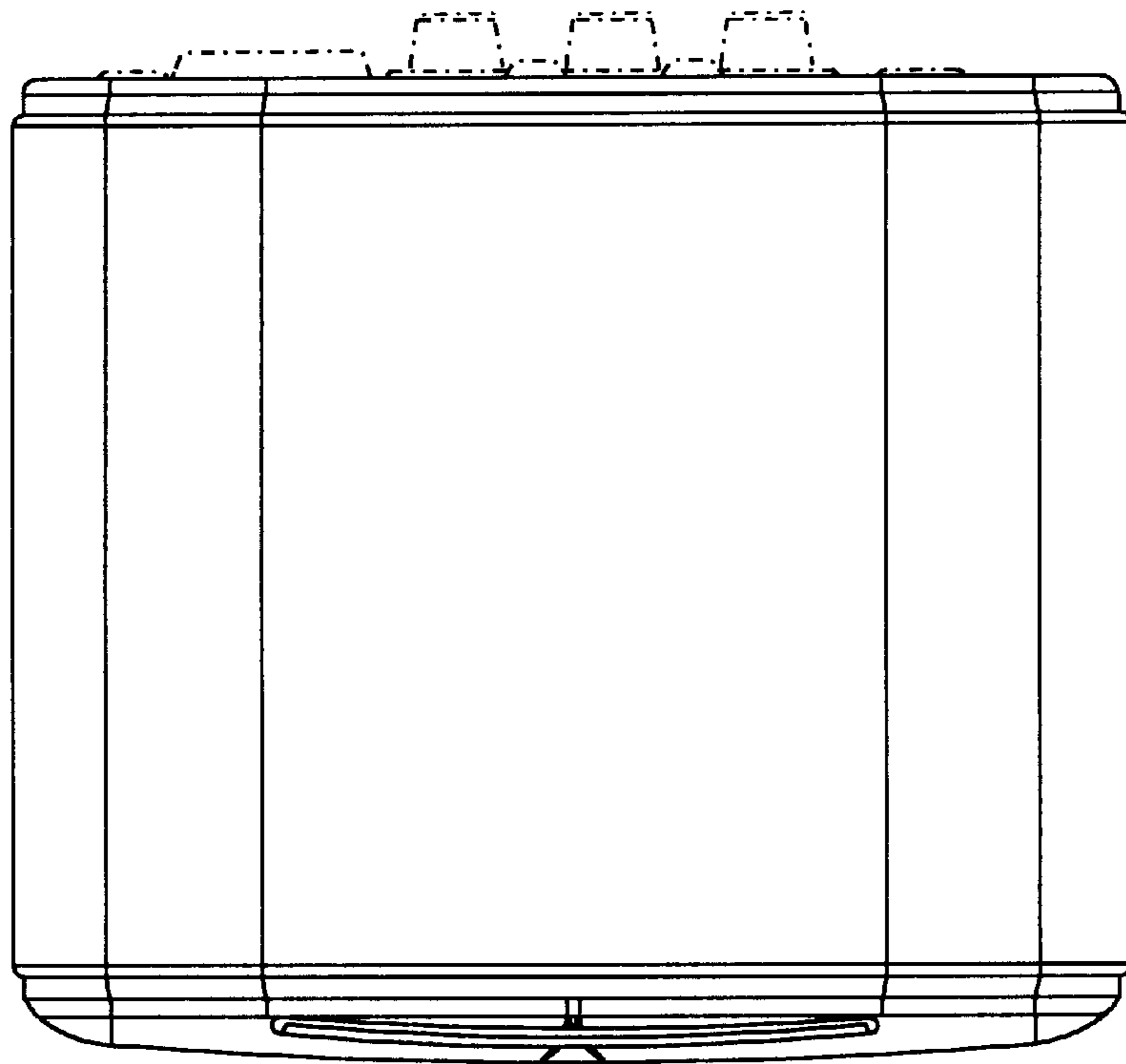


FIG. 3

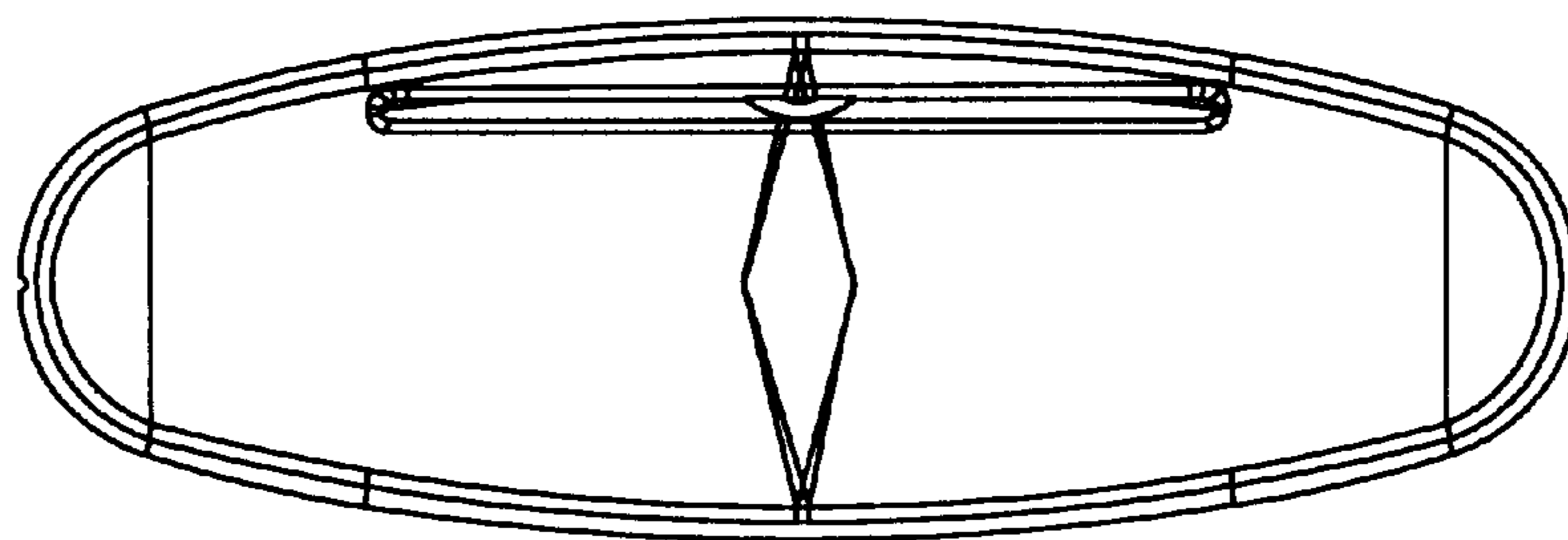


FIG. 4

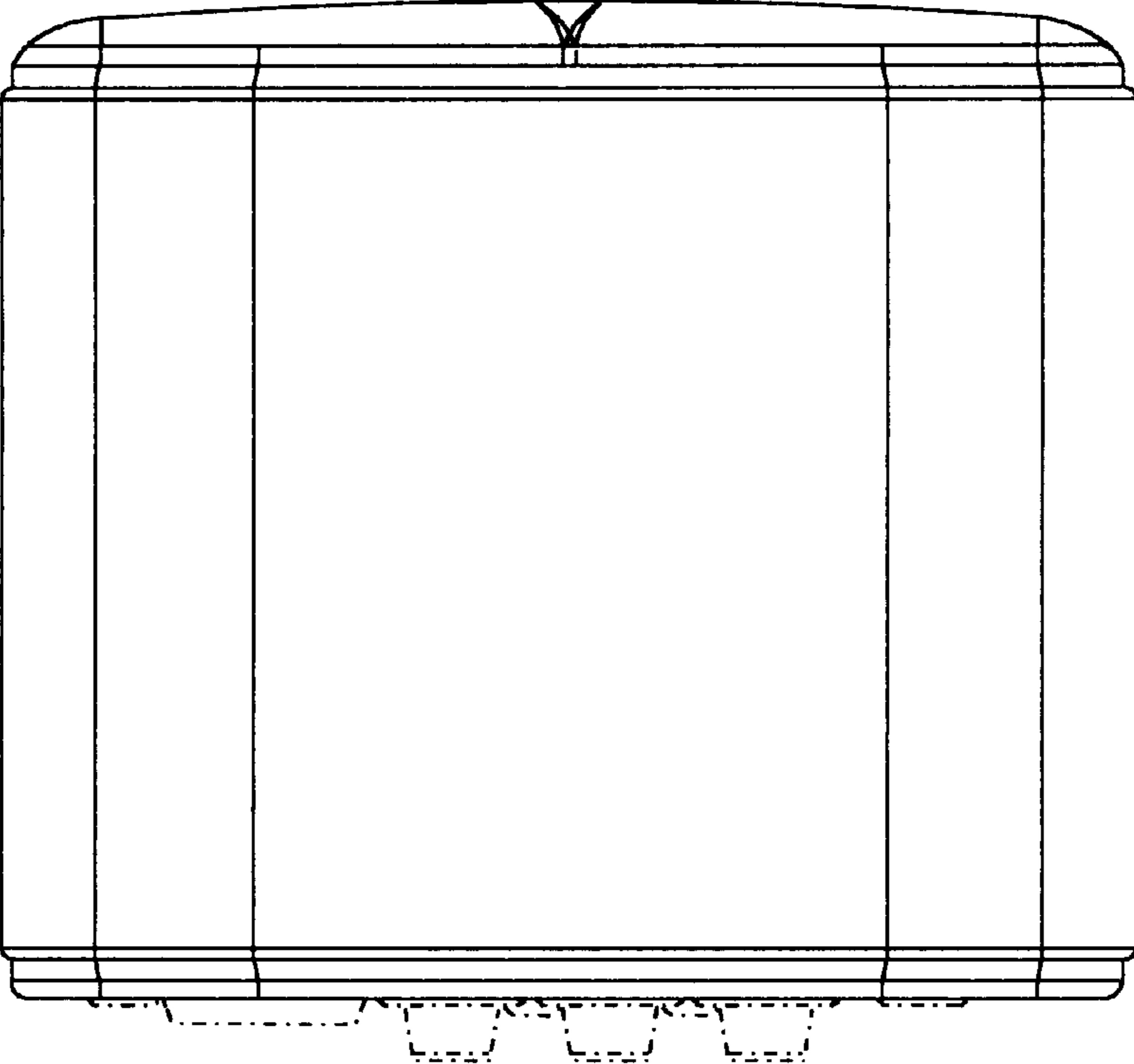


FIG. 5

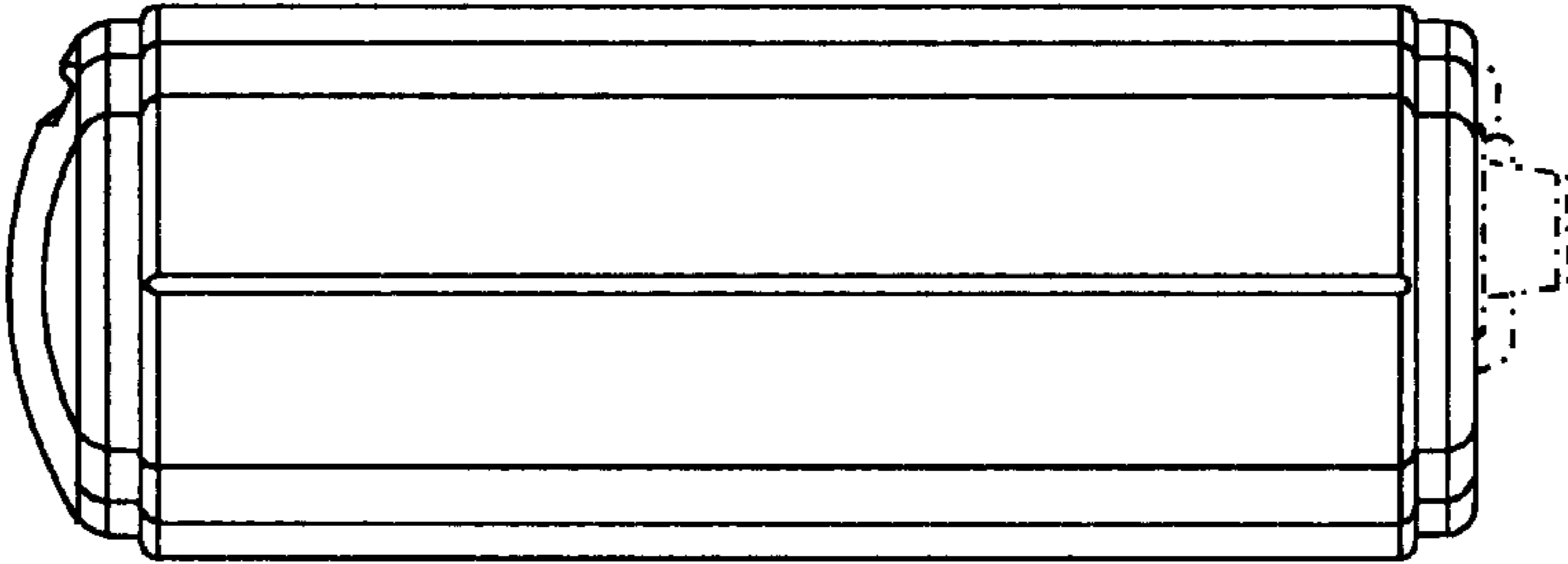


FIG. 6

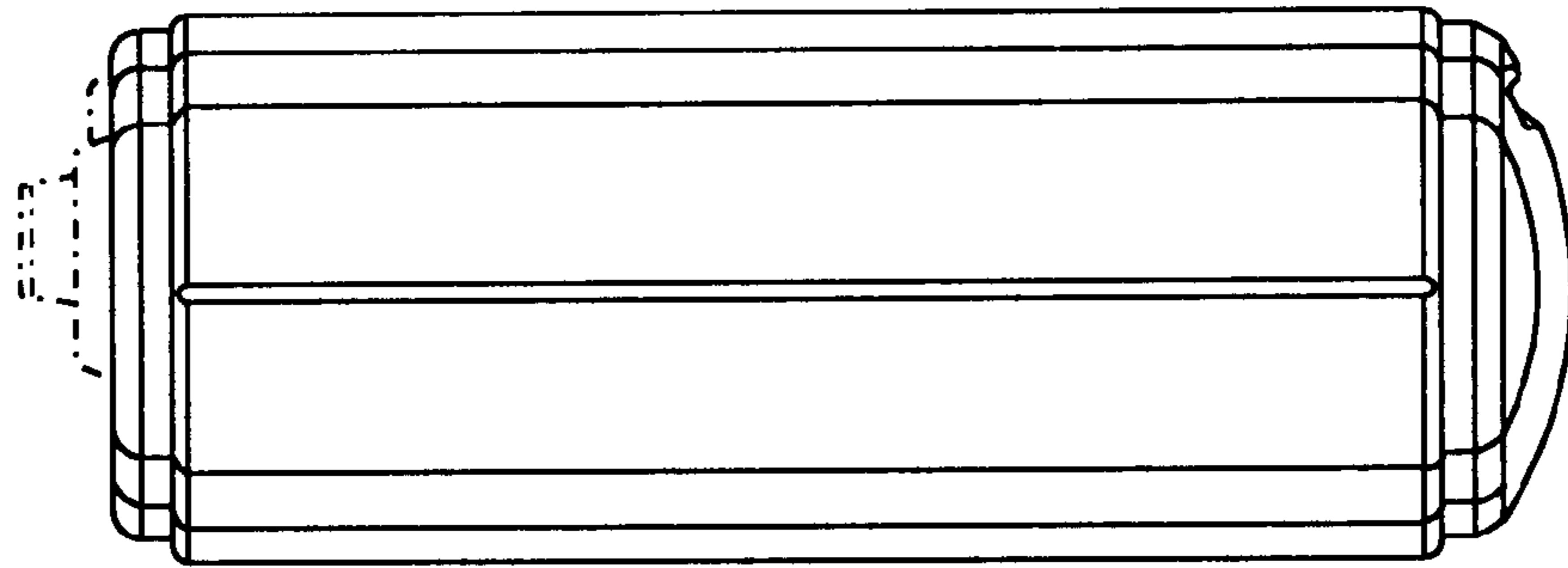


FIG. 7

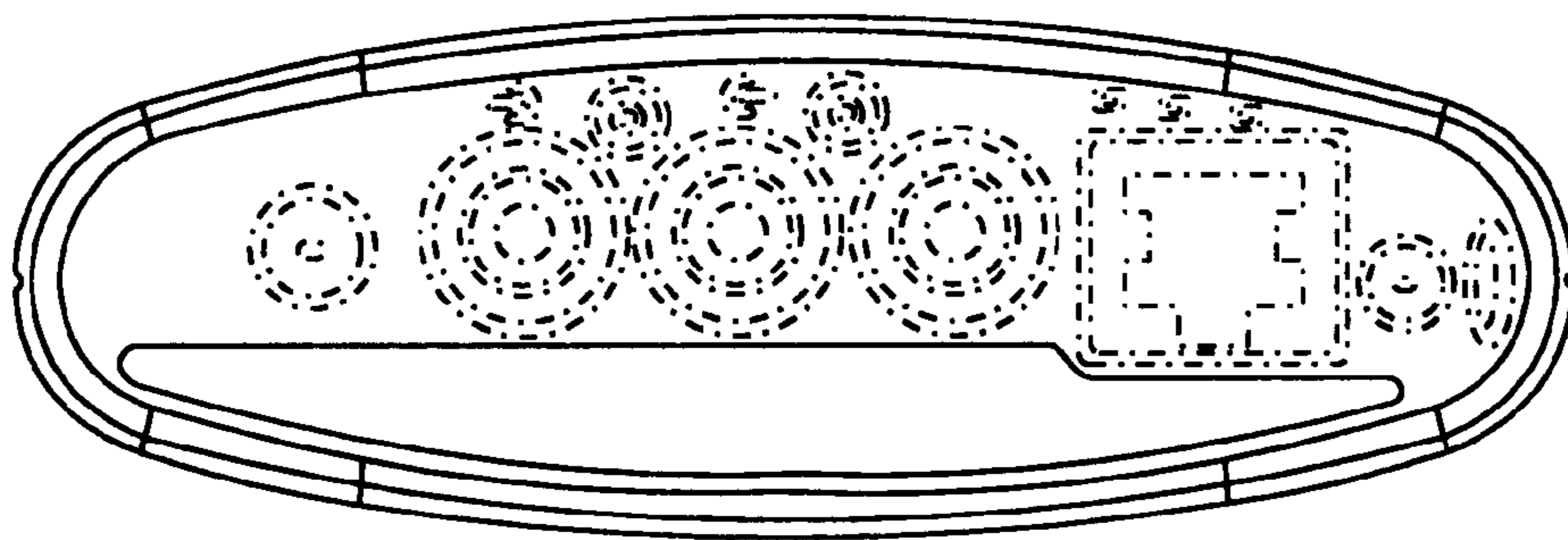


FIG. 8