

US00D511149S

(12) **United States Design Patent**  
**Suenaga**

(10) **Patent No.:** **US D511,149 S**

(45) **Date of Patent:** **\*\* Nov. 1, 2005**

(54) **LIGHT EMITTING DIODE**

(75) **Inventor:** **Ryoma Suenaga, Komatsushima (JP)**

(73) **Assignee:** **Nichia Corporation, Anan (JP)**

(\*\*) **Term:** **14 Years**

(21) **Appl. No.:** **29/223,841**

(22) **Filed:** **Feb. 22, 2005**

**Related U.S. Application Data**

(62) Division of application No. 29/195,672, filed on Dec. 17, 2003, now Pat. No. Des. 502,150, which is a division of application No. 29/171,545, filed on Nov. 25, 2002, now Pat. No. Des. 487,254.

(30) **Foreign Application Priority Data**

May 24, 2002	(JP)	.....	2002-013922
May 24, 2002	(JP)	.....	2002-013923
May 24, 2002	(JP)	.....	2002-013924
May 24, 2002	(JP)	.....	2002-013925
May 24, 2002	(JP)	.....	2002-013926

(51) **LOC (8) Cl.** ..... **13-03**

(52) **U.S. Cl.** ..... **D13/180**

(58) **Field of Search** ..... D13/180, 182;  
D10/104; D26/2; 257/80, 443; 313/113,  
315, 318, 493, 500; 345/83; 372/45; 362/231,  
235, 237, 240, 241, 249, 245, 555, 800;  
439/557, 620

(56) **References Cited**

**U.S. PATENT DOCUMENTS**

D439,351 S \* 3/2001 Kiba et al. .... D26/37

6,386,733	B1	*	5/2002	Ohkohdo et al.	.....	362/249
6,459,130	B1	*	10/2002	Arndt et al.	.....	257/432
D487,254	S	*	3/2004	Suenaga	.....	D13/182
D502,150	S	*	2/2005	Suenaga	.....	D13/180

\* cited by examiner

*Primary Examiner*—Prabhakar Deshmukh

*Assistant Examiner*—Selina Sikder

(74) *Attorney, Agent, or Firm*—Smith Patent Office

(57) **CLAIM**

I claim the ornamental design for the light emitting diode, as shown and described.

**DESCRIPTION**

FIG. 1 is a top view of a light emitting diode showing my new design;

FIG. 2 is a left view of the light emitting diode according to the embodiment of FIG. 1;

FIG. 3 is a front elevational view of the light emitting diode according to the embodiment of FIG. 1;

FIG. 4 is a right view of the light emitting diode according to the embodiment of FIG. 1;

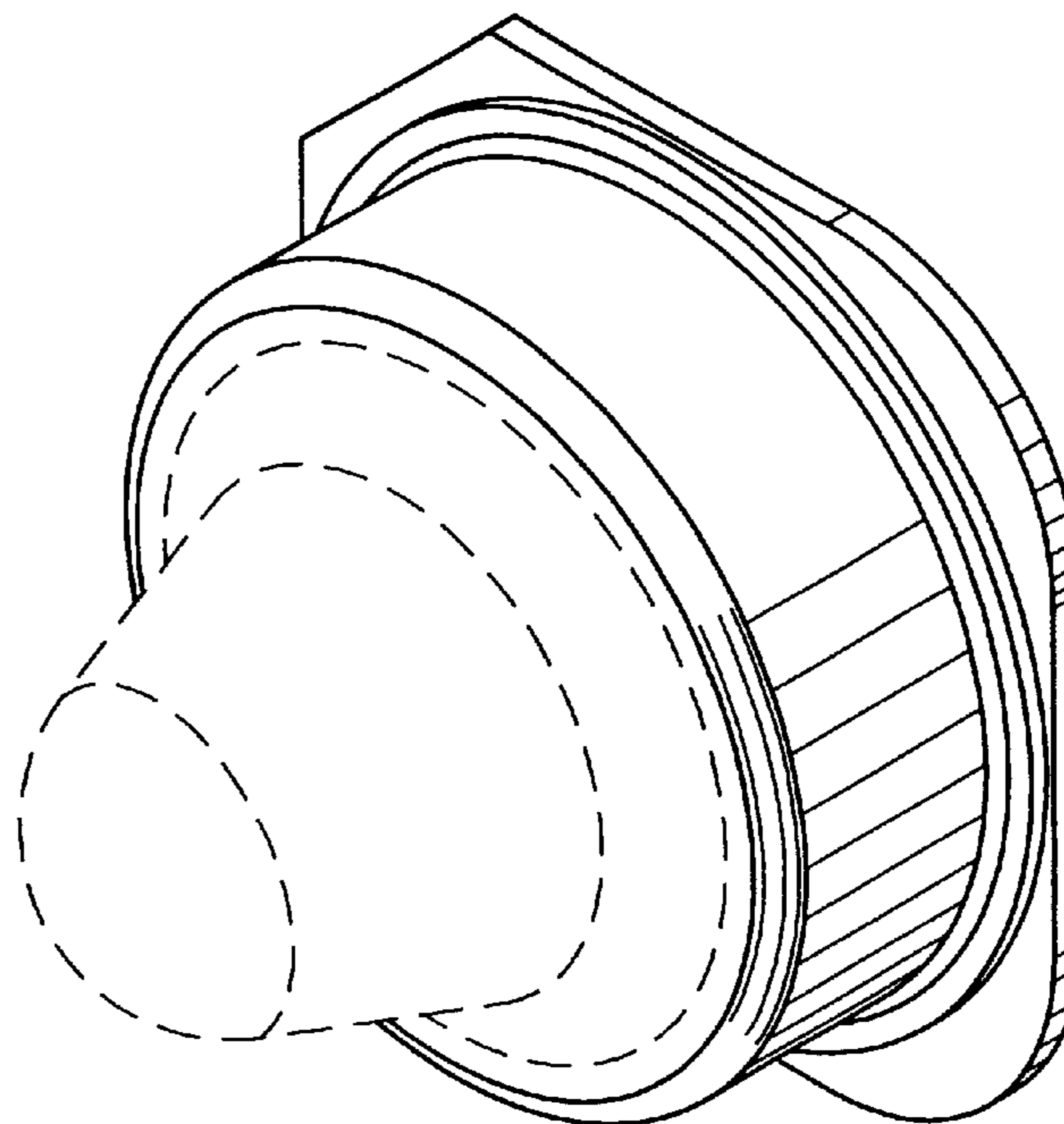
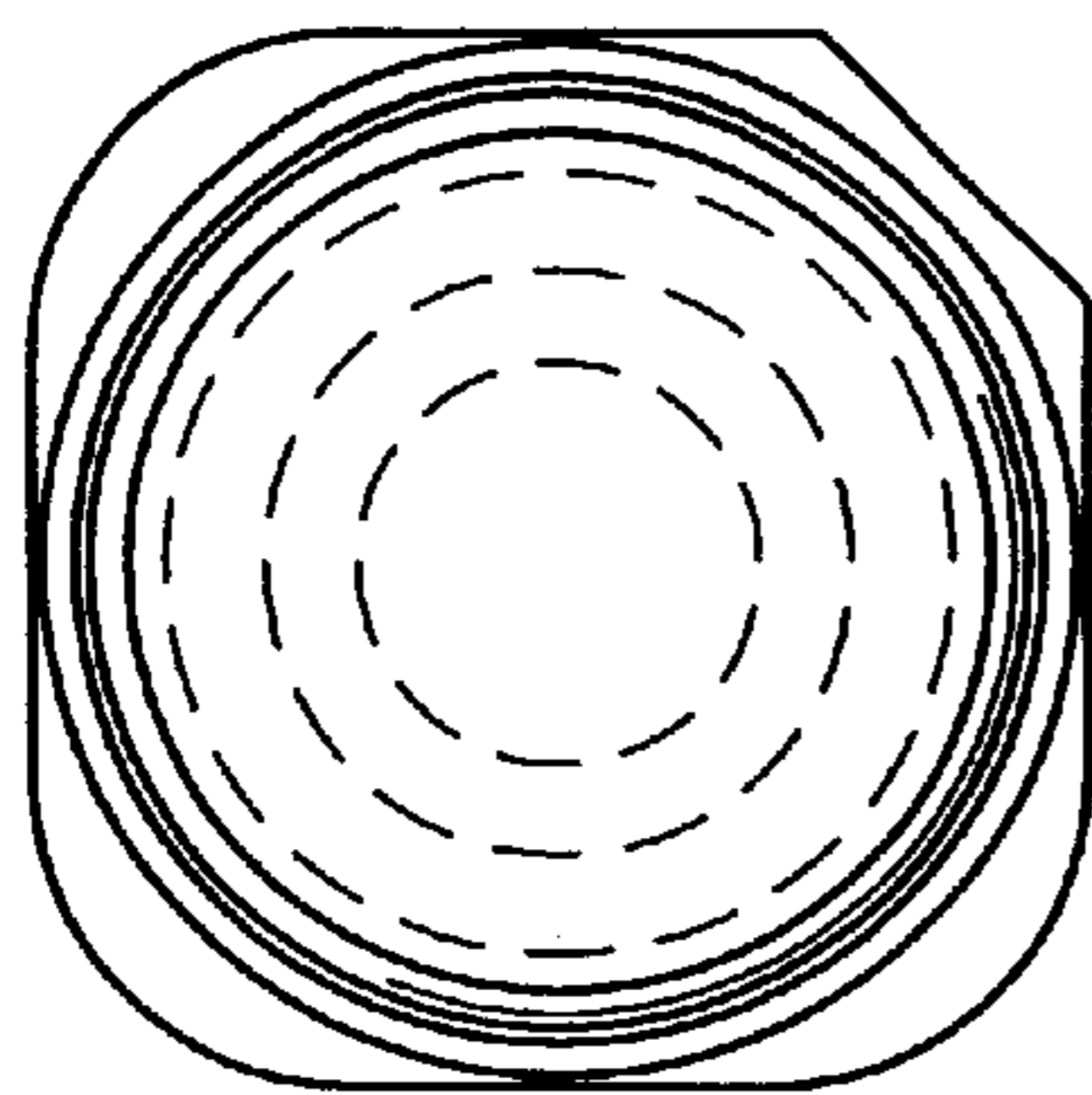
FIG. 5 is a bottom view of the light emitting diode according to the embodiment of FIG. 1;

FIG. 6 is a rear view of the light emitting diode being rotated 180° from a standard orthogonal projection according to the embodiment of FIG. 1; and,

FIG. 7 is a perspective view of the light emitting diode according to the embodiment of FIG. 1.

The broken line showing of the environment is for illustrative purpose only and forms no part of the claimed design.

**1 Claim, 2 Drawing Sheets**



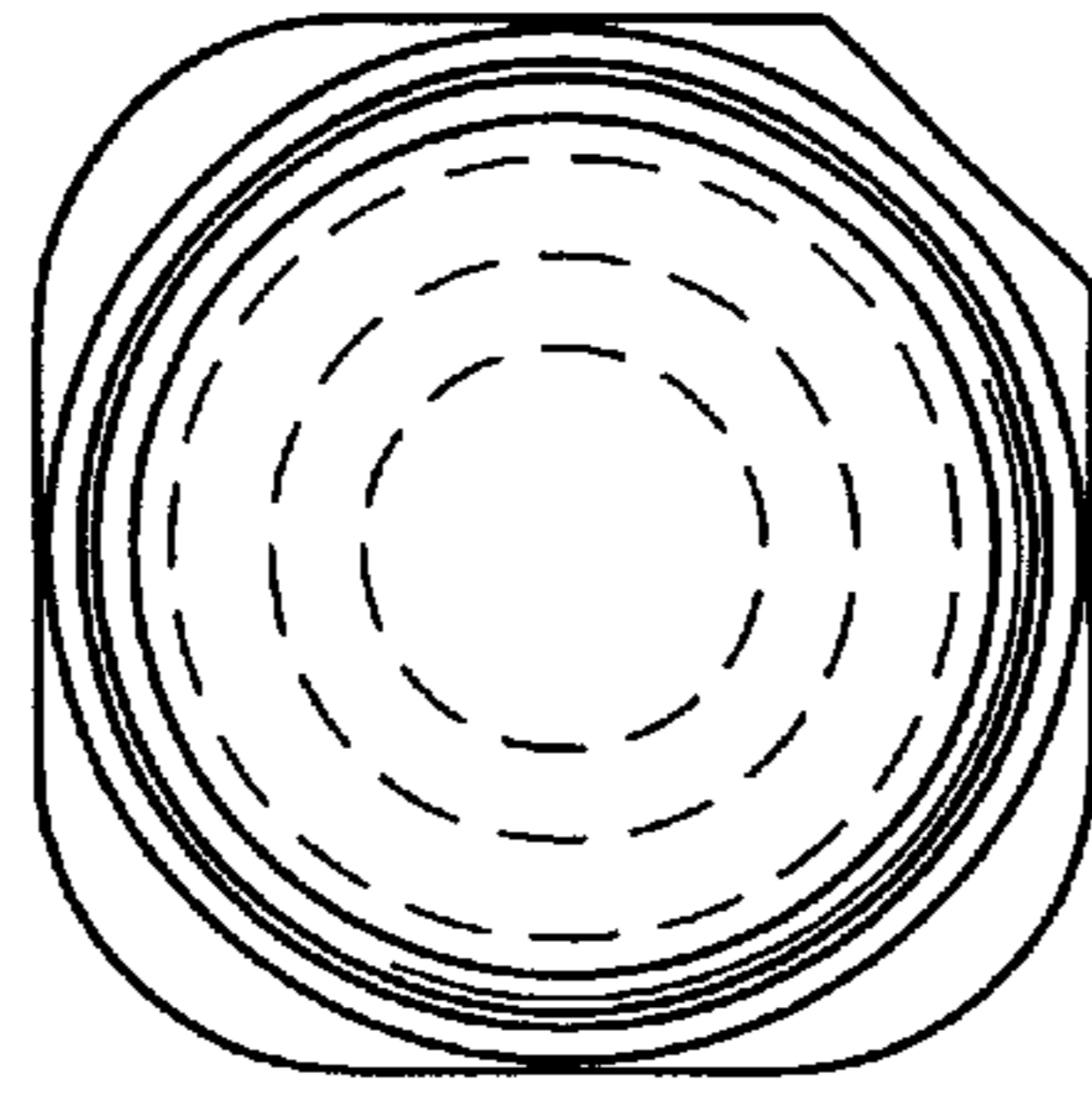


FIG. 1

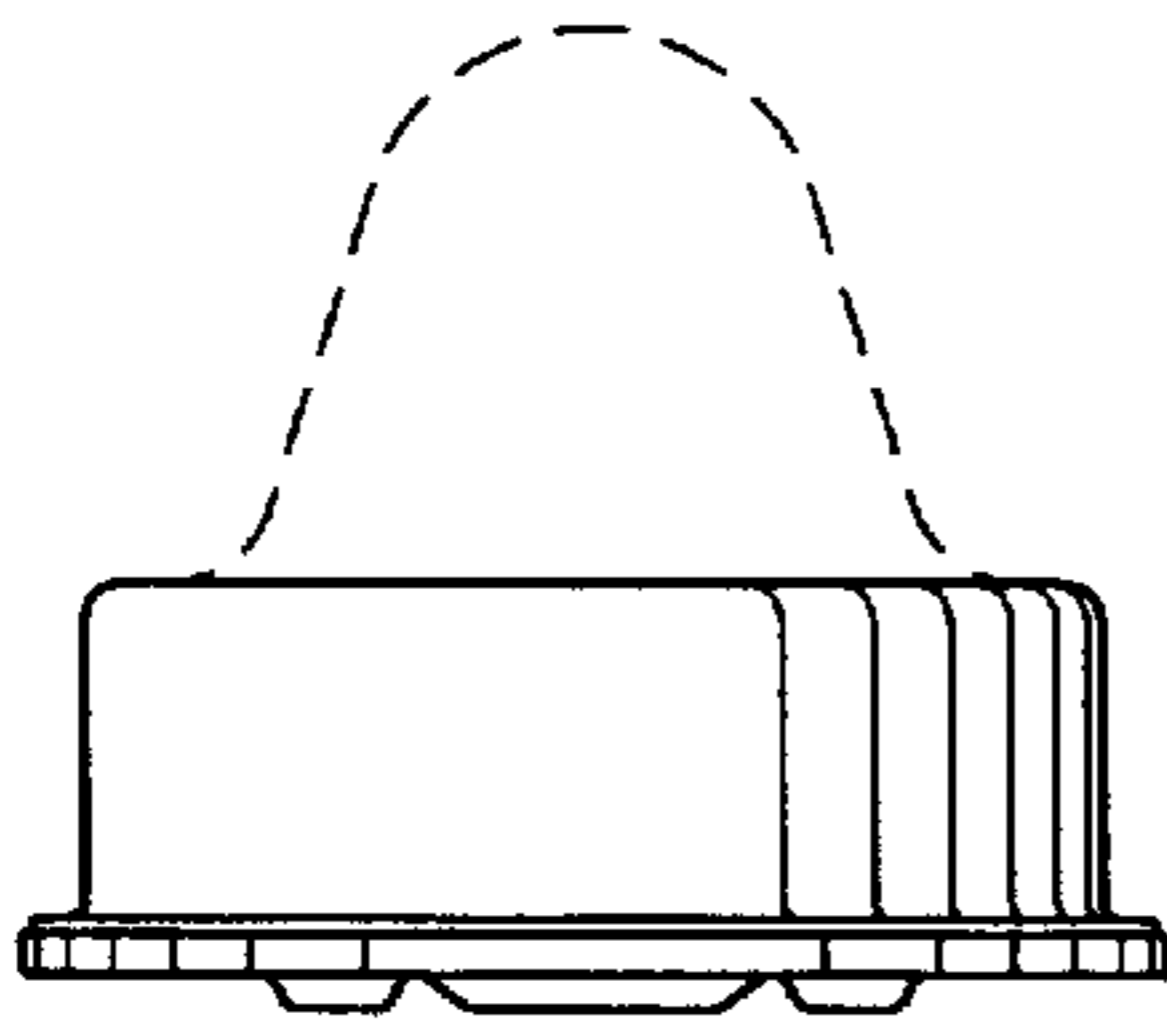


FIG. 2

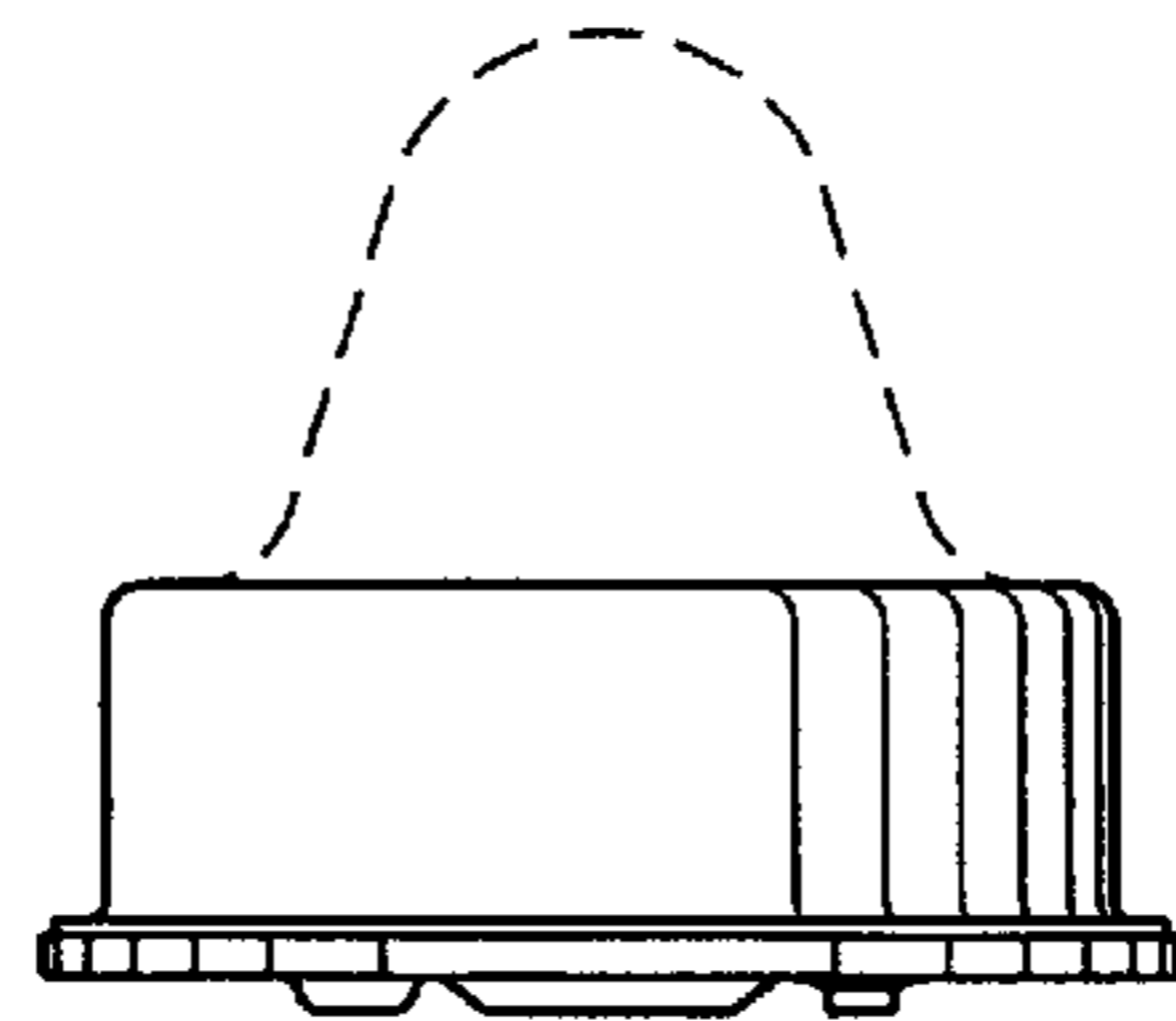


FIG. 3

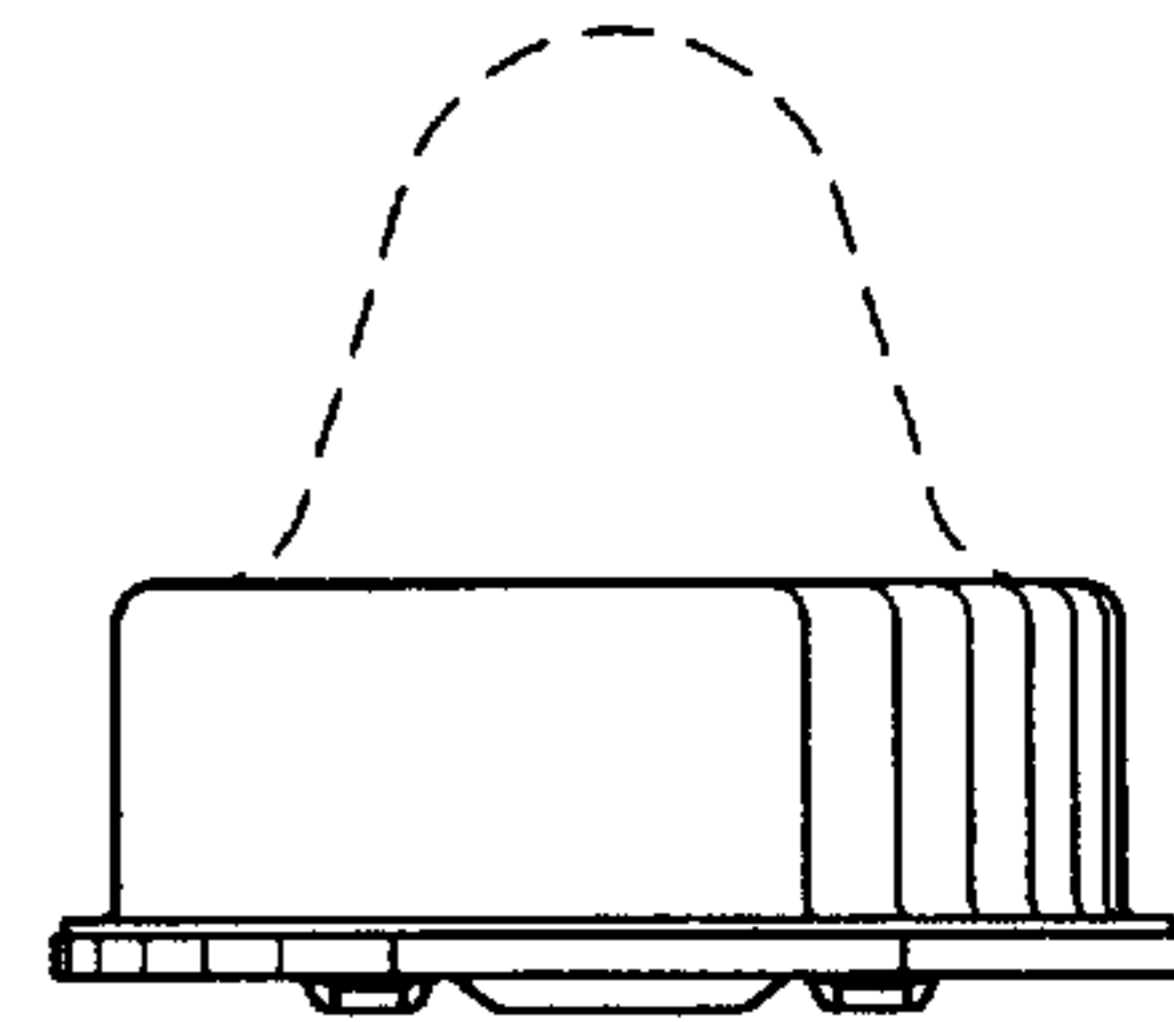


FIG. 4

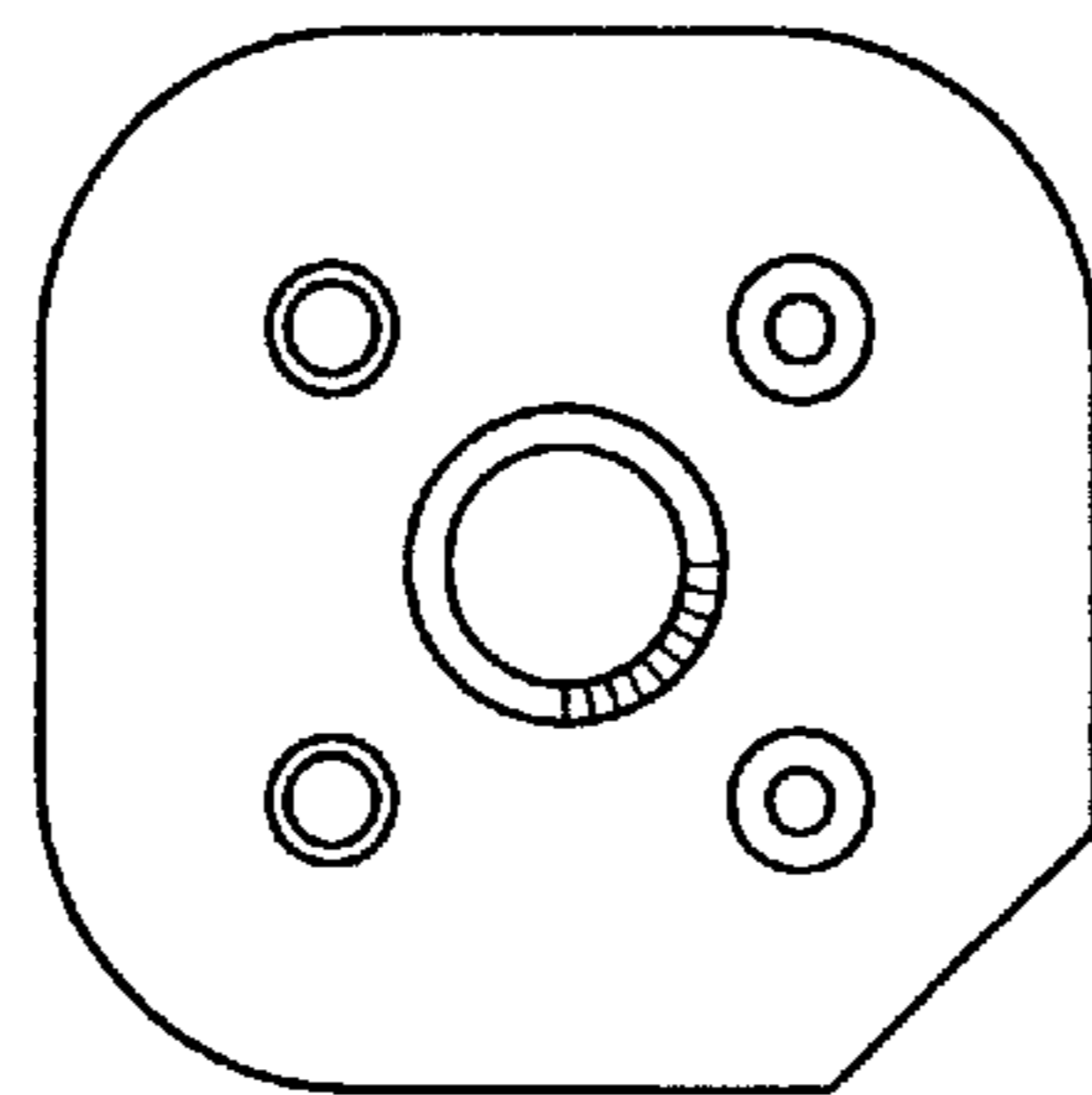


FIG. 5

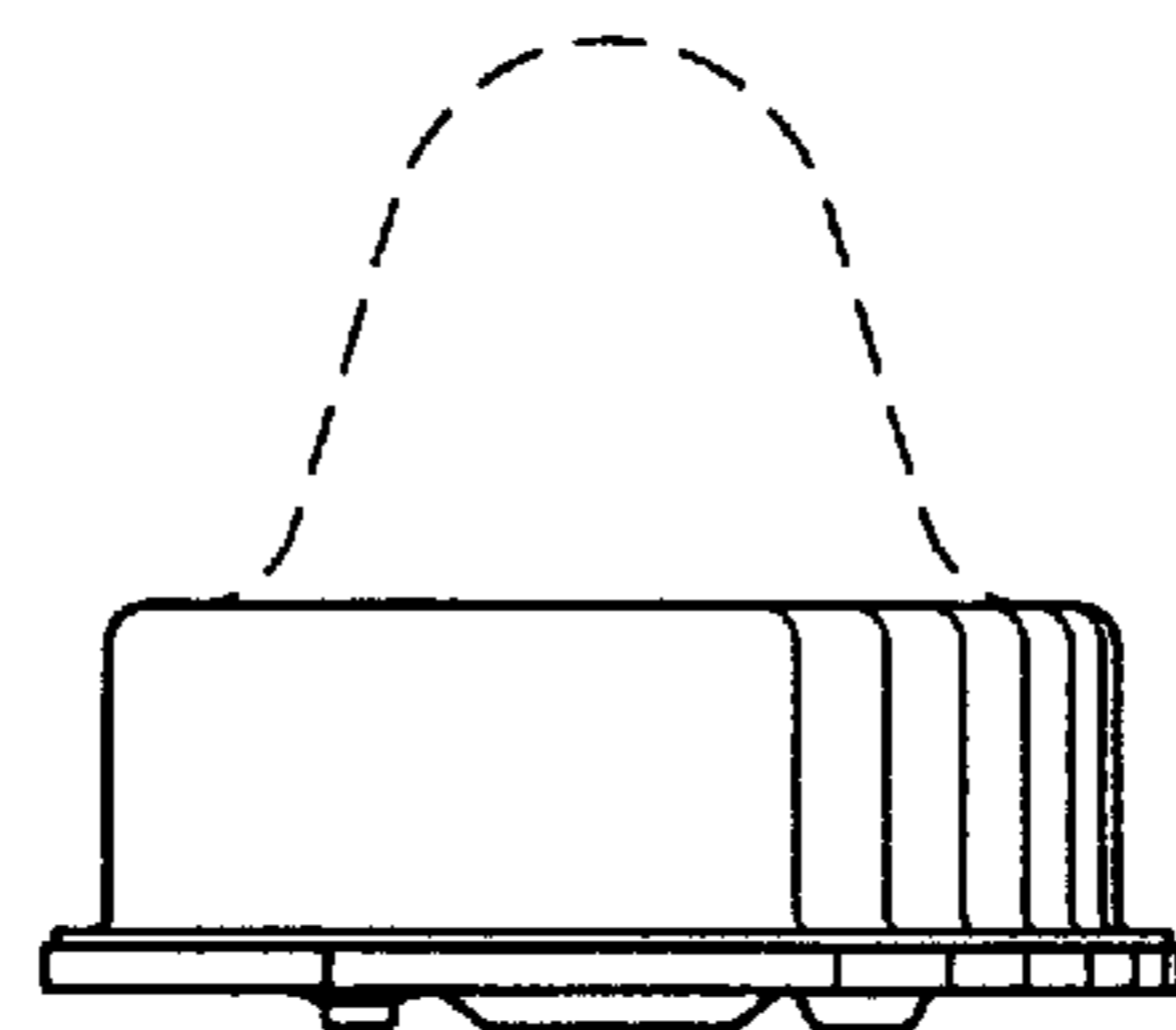


FIG. 6

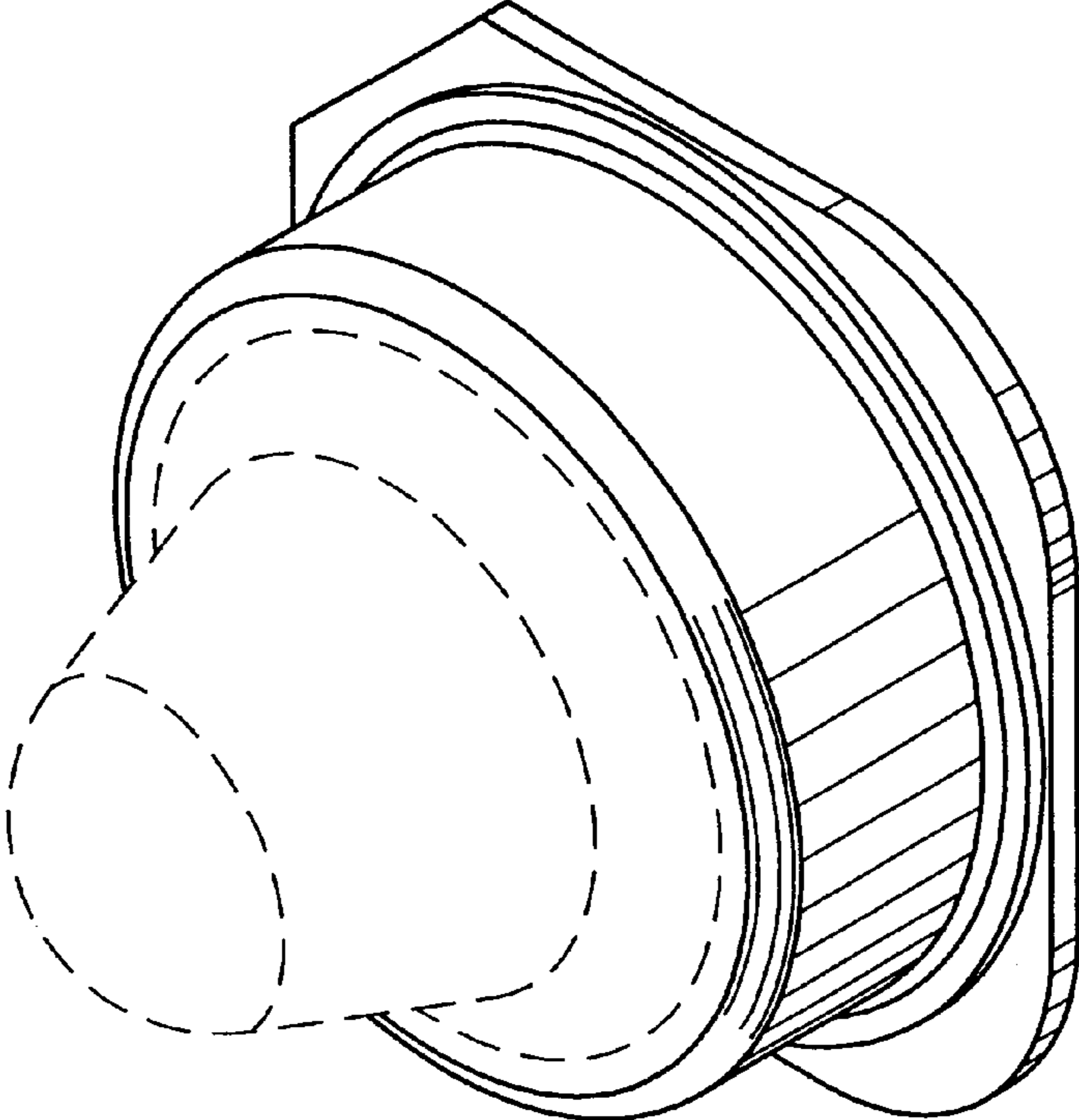


FIG. 7