



US00D511147S

(12) **United States Design Patent** (10) **Patent No.:** **US D511,147 S**  
**Suenaga** (45) **Date of Patent:** **\*\* Nov. 1, 2005**

(54) **FRONT PORTION OF A LIGHT EMITTING DIODE**

5,094,628 A 3/1992 Kano  
D350,493 S 9/1994 Gottlieb  
5,915,993 A 6/1999 Belopolsky et al.  
D437,798 S 2/2001 Kiba et al.  
D453,745 S \* 2/2002 Suenaga ..... D13/180  
D477,579 S \* 7/2003 Suenaga ..... D13/180

(75) Inventor: **Ryoma Suenaga, Tokushima (JP)**

(73) Assignee: **Nichia Corporation, Anan (JP)**

(\*\*) Term: **14 Years**

(21) Appl. No.: **29/191,999**

(22) Filed: **Oct. 16, 2003**

**FOREIGN PATENT DOCUMENTS**

JP 984224 7/1997  
JP 984224-1 10/1997  
JP 1077515 7/2000  
JP 1150522 8/2002  
JP 1150817 8/2002

\* cited by examiner

**Related U.S. Application Data**

(62) Division of application No. 29/173,581, filed on Jan. 3, 2003, which is a division of application No. 29/151,833, filed on Dec. 12, 2001, now Pat. No. Des. 477,579, which is a division of application No. 29/124,827, filed on Jun. 13, 2000, now Pat. No. Des. 453,745.

*Primary Examiner*—Stella Reid  
*Assistant Examiner*—Daniel Bui  
(74) *Attorney, Agent, or Firm*—Burns, Doane, Swecker & Mathis, L.L.P.

(30) **Foreign Application Priority Data**

Dec. 27, 1999 (JP) ..... 11-36713  
Dec. 27, 1999 (JP) ..... 11-36714  
Dec. 27, 1999 (JP) ..... 11-36715  
Dec. 27, 1999 (JP) ..... 11-36716  
Dec. 27, 1999 (JP) ..... 11-36717

(57) **CLAIM**

The ornamental design for a front portion of a light emitting diode, as shown and described.

(51) **LOC (8) Cl.** ..... **13-03**  
(52) **U.S. Cl.** ..... **D13/180**  
(58) **Field of Search** ..... D13/180, 182;  
D10/104, 106; D26/2, 37

**DESCRIPTION**

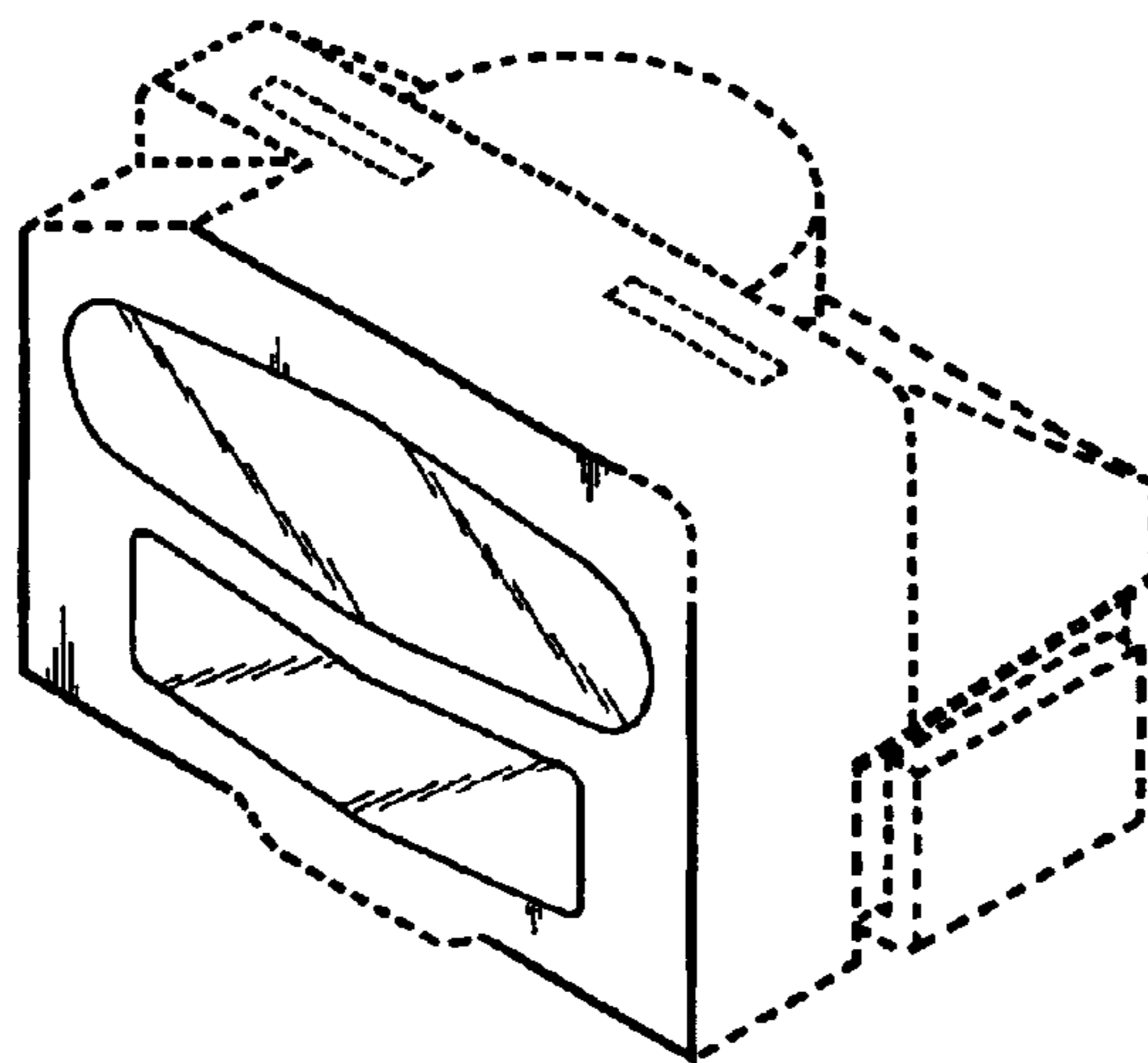
FIG. 1 is a front elevational view of a front portion of a light emitting diode showing my new design;  
FIG. 2 is a top plan view thereof;  
FIG. 3 is a bottom plan view thereof;  
FIG. 4 is a right side elevational view thereof;  
FIG. 5 is a left side elevational view thereof; and,  
FIG. 6 is a front perspective view thereof.  
The broken lines are shown in the views for illustrative purposes only, and form no part of the claimed design.

(56) **References Cited**

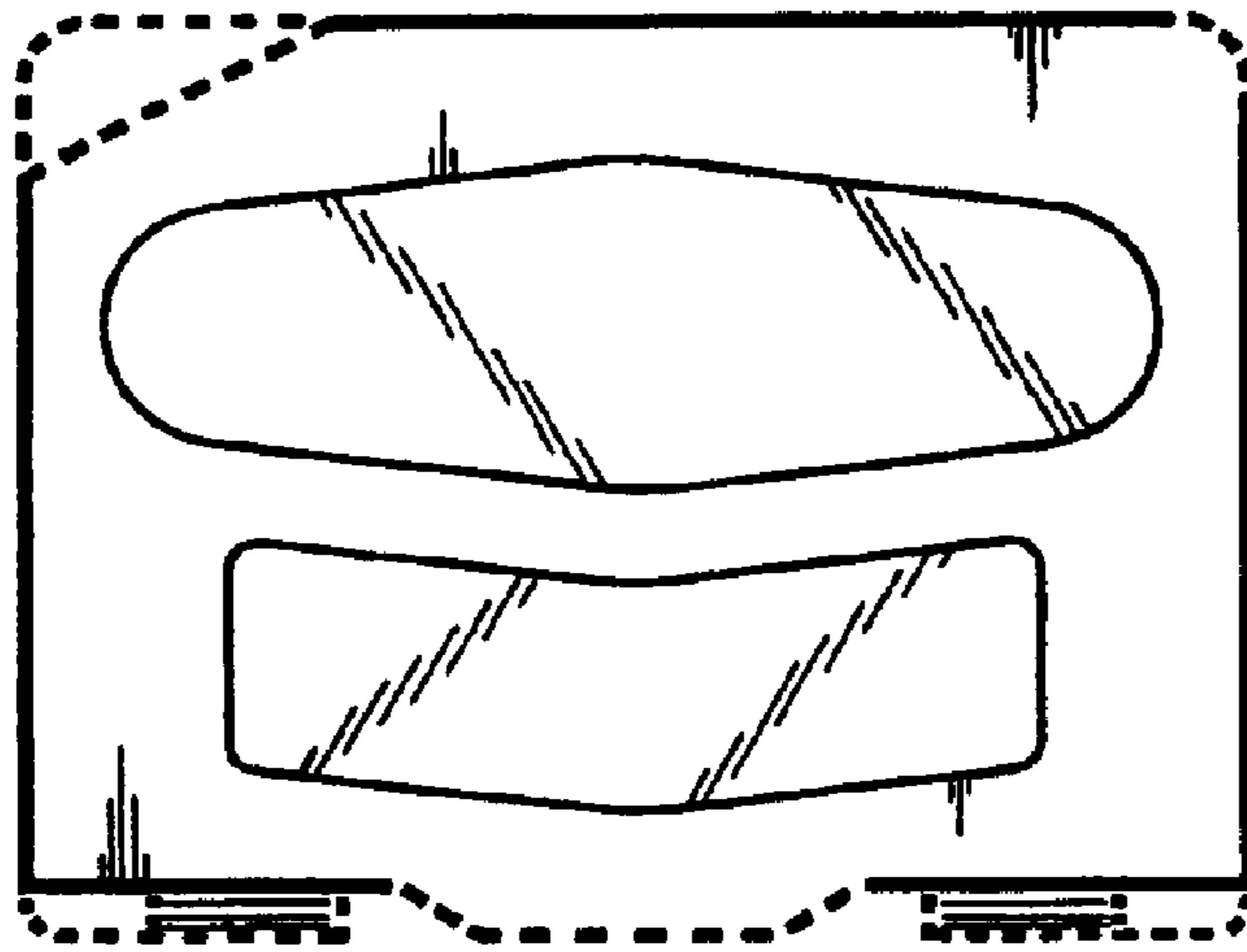
**U.S. PATENT DOCUMENTS**

D312,979 S 12/1990 Oesterheld et al.  
5,045,895 A 9/1991 Yoshida et al.

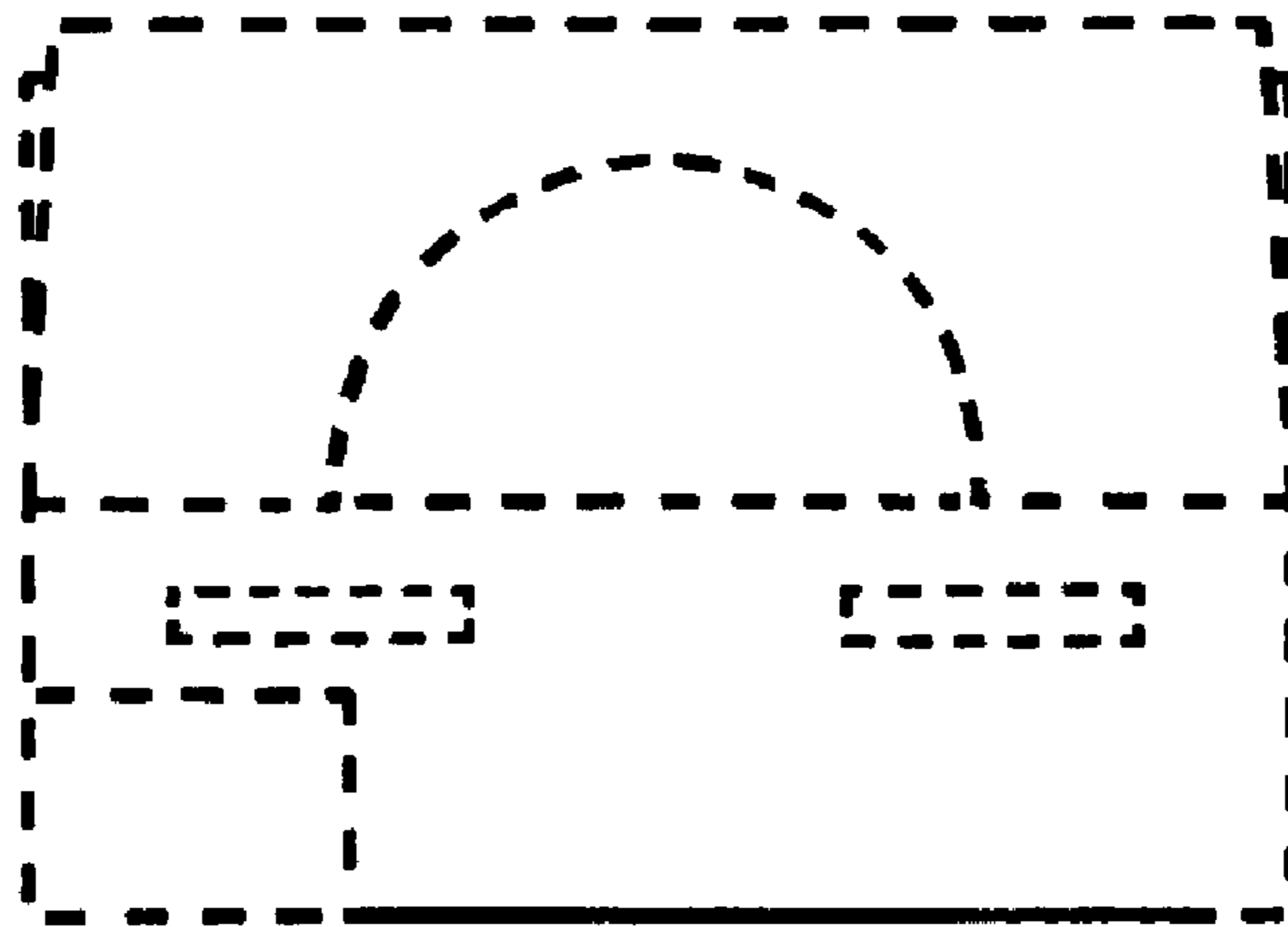
**1 Claim, 3 Drawing Sheets**



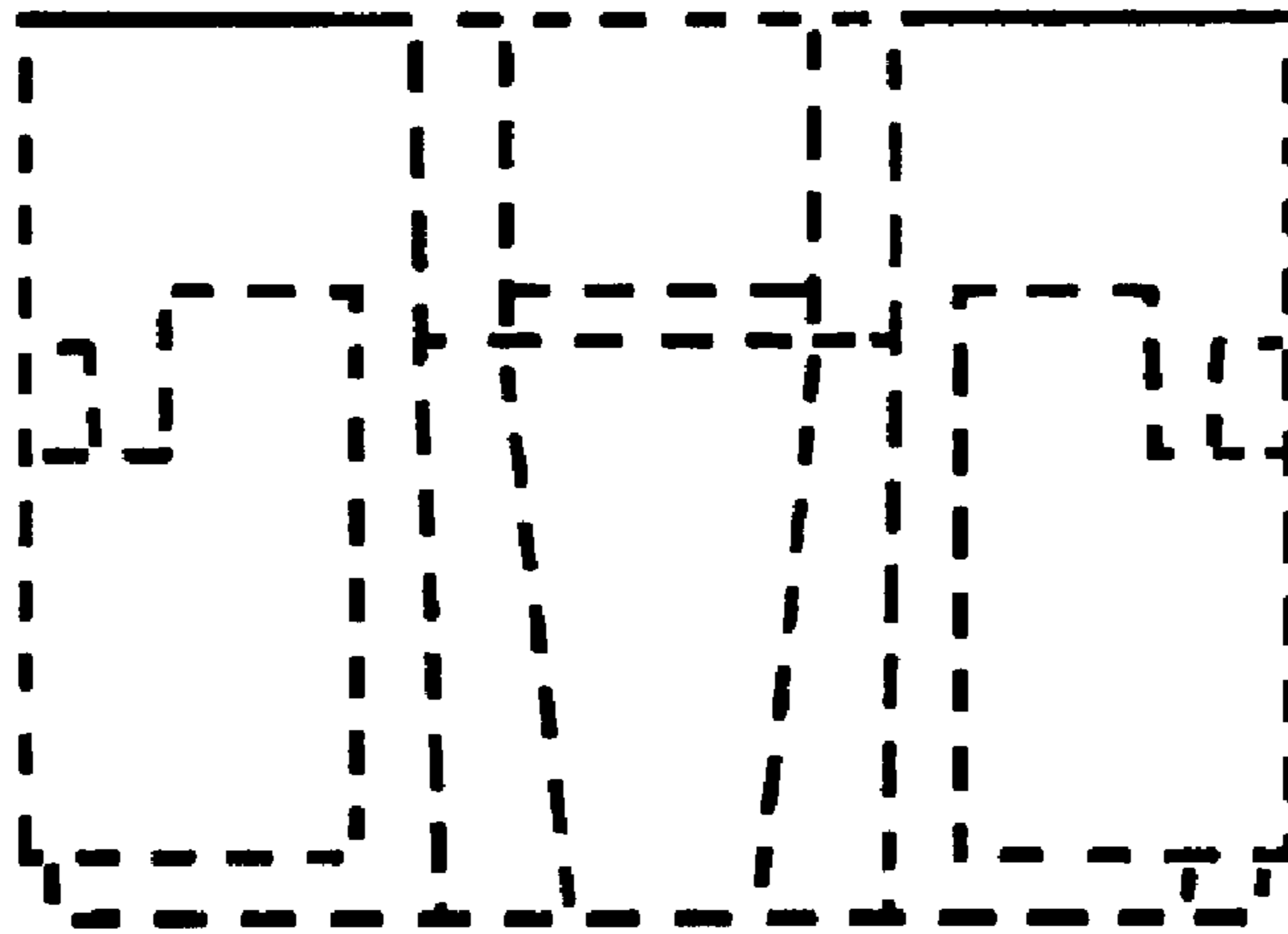
*Fig. 1*



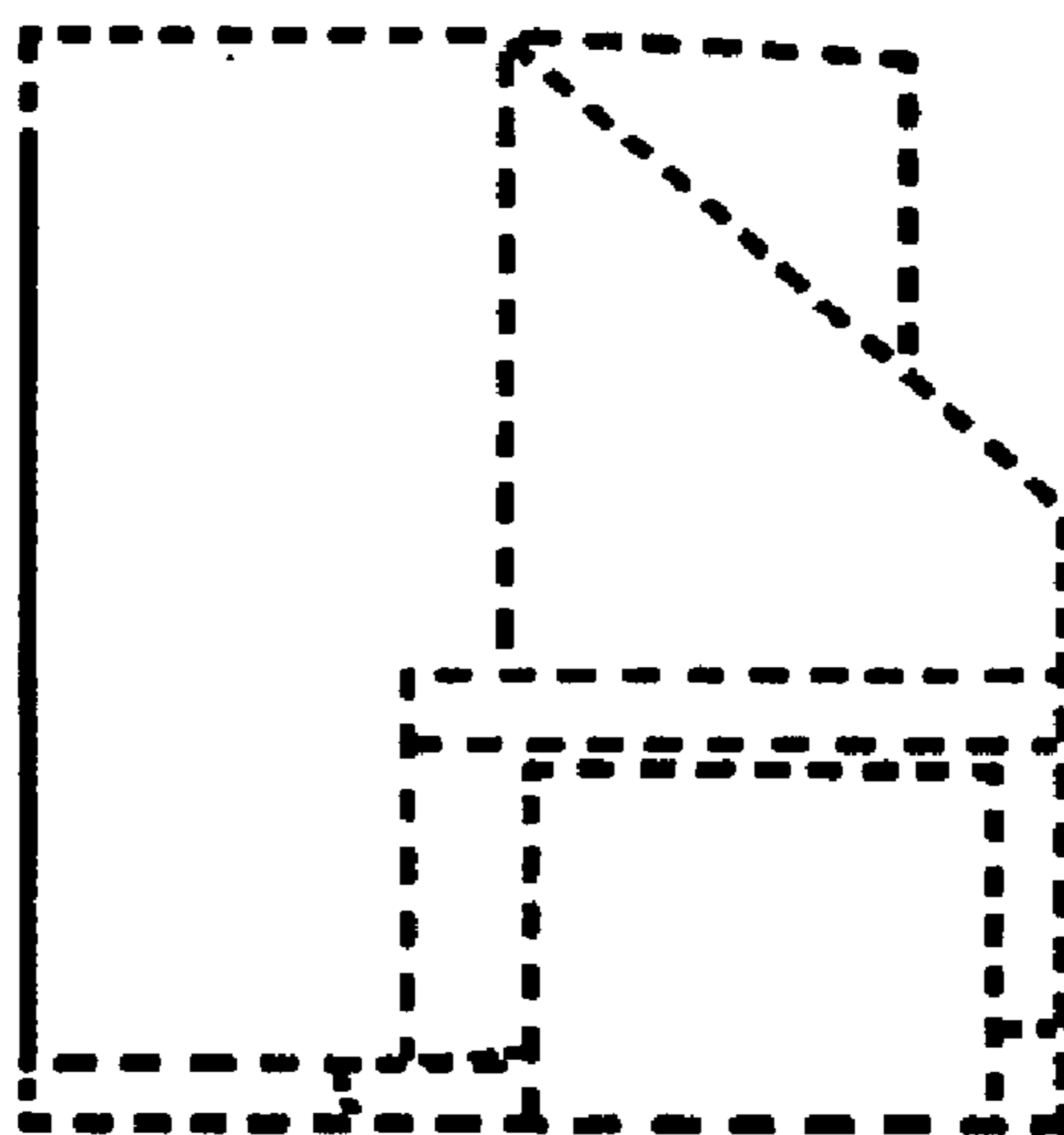
*Fig. 2*



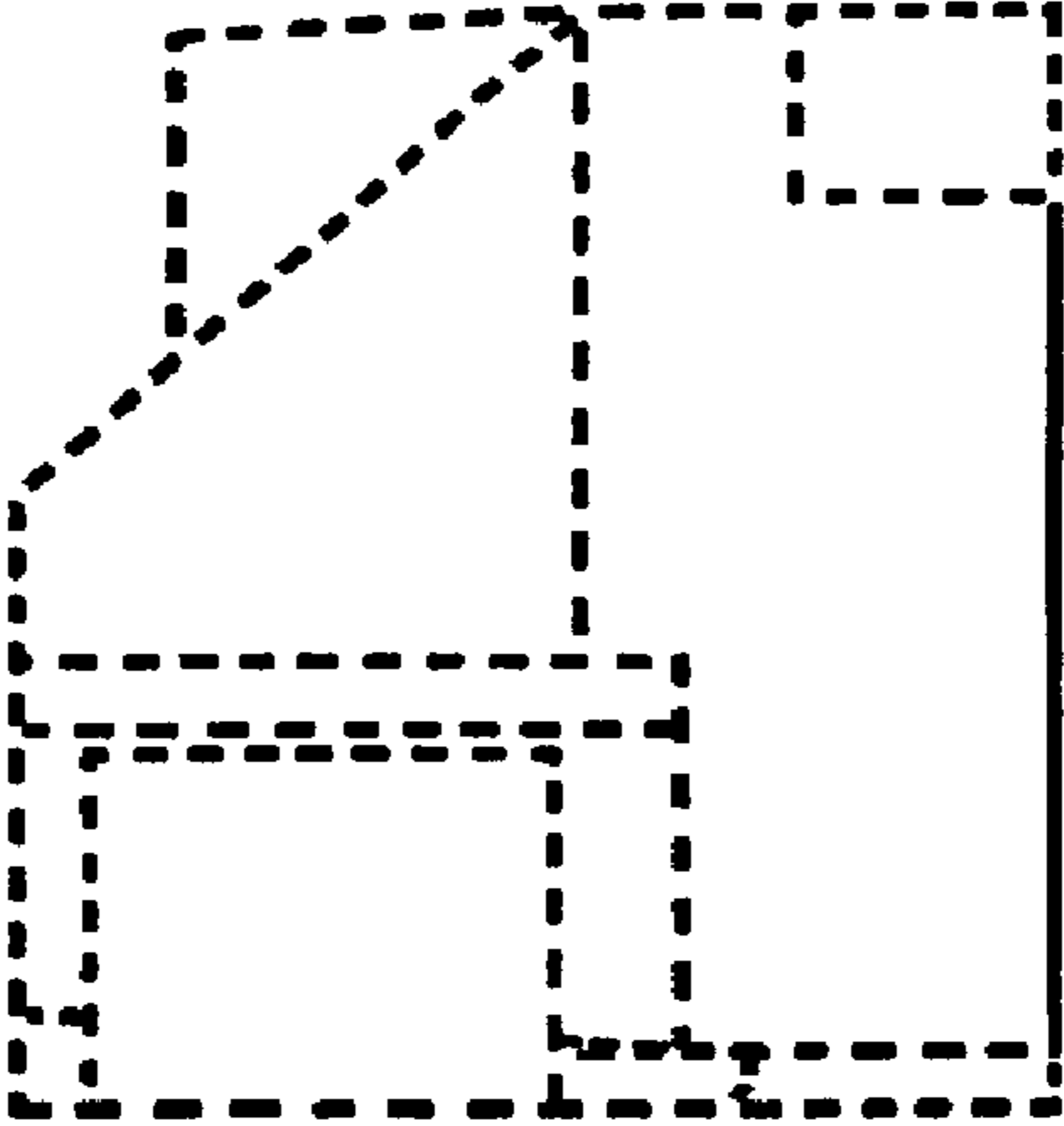
*Fig. 3*



*Fig. 4*



*Fig. 5*



*Fig. 6*

