



US00D511145S

(12) **United States Design Patent**
Donofrio et al.

(10) **Patent No.:** **US D511,145 S**
(45) **Date of Patent:** **** Nov. 1, 2005**

(54) **HAND PIECE SWITCH ADAPTER**

(75) Inventors: **William T. Donofrio**, Cincinnati, OH (US); **Richard M. Harper**, Cincinnati, OH (US); **Robert Perrin Gill**, Mason, OH (US); **Richard F. Schwemberger**, Cincinnati, OH (US); **Mary E. Schramm**, Cincinnati, OH (US)

(73) Assignee: **Ethicon Endo-Surgery, Inc.**, Cincinnati, OH (US)

(**) Term: **14 Years**

(21) Appl. No.: **29/191,574**

(22) Filed: **Oct. 9, 2003**

Related U.S. Application Data

(62) Division of application No. 29/160,112, filed on May 3, 2002, now Pat. No. Des. 486,127, which is a division of application No. 29/131,393, filed on Oct. 20, 2000, now Pat. No. Des. 462,667.

(51) **LOC (8) Cl.** **13-03**

(52) **U.S. Cl.** **D13/168**

(58) **Field of Search** D13/158, 164, D13/168; D10/49, 104; D14/192, 218, 426, 432, 433; 200/293, 293.1, 332.2; 606/42, 51

(56) **References Cited**

U.S. PATENT DOCUMENTS

1,242,115 A 10/1917 Russell
3,161,899 A 12/1964 Poizat
4,772,765 A 9/1988 Markle et al.

D318,670 S 7/1991 Taniguchi
D322,609 S * 12/1991 Patton D14/218
D326,655 S 6/1992 Iribe
D344,524 S 2/1994 Taniguchi
D364,641 S 11/1995 Osterhout
D381,417 S 7/1997 Simmons et al.
D419,556 S * 1/2000 Haney D14/192
D420,004 S * 2/2000 Haney D14/192
D445,708 S 7/2001 Huang et al.
D446,512 S 8/2001 Lee
D448,359 S 9/2001 Do et al.
D462,667 S * 9/2002 Donofrio et al. D13/168
D486,127 S * 2/2004 Donofrio et al. D13/168

* cited by examiner

Primary Examiner—Stella Reid

Assistant Examiner—Selina Sikder

(74) *Attorney, Agent, or Firm*—Verne E. Kreger, Jr.

(57) **CLAIM**

The ornamental design for a hand piece switch adapter, as shown and described.

DESCRIPTION

FIG. 1 is a perspective view of a hand piece switch adapter as seen from the top, front and right sides showing our new design.

FIG. 2 is a top plan view thereof, the bottom plan being a mirror image;

FIG. 3 is a right side elevational view thereof, the left side elevation being a mirror image;

FIG. 4 is a front elevational view thereof;

FIG. 5 is a rear elevational view thereof;

FIG. 6 is an exploded perspective view thereof; and,

FIG. 7 is an exploded top plan view thereof.

1 Claim, 4 Drawing Sheets

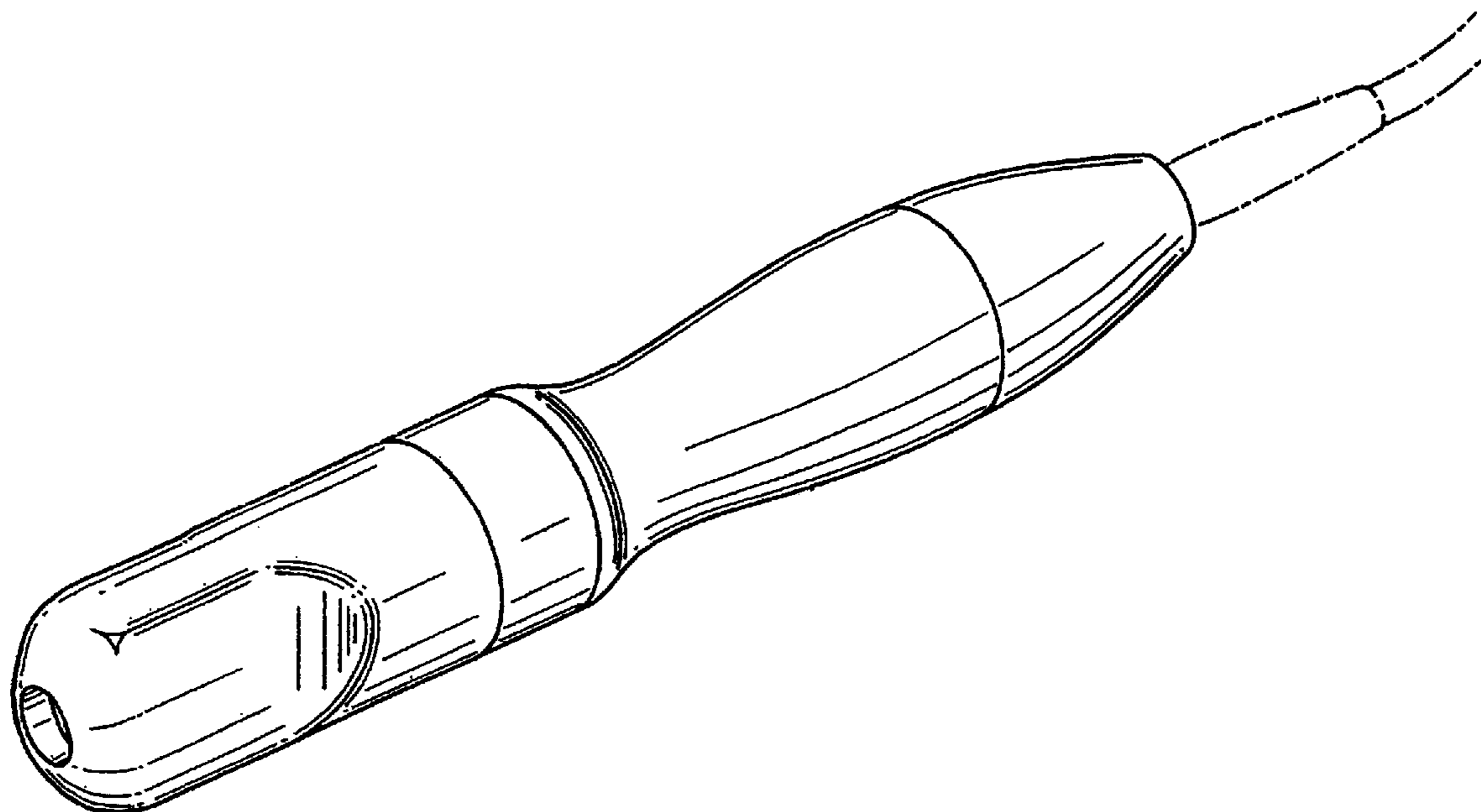


FIG. 1

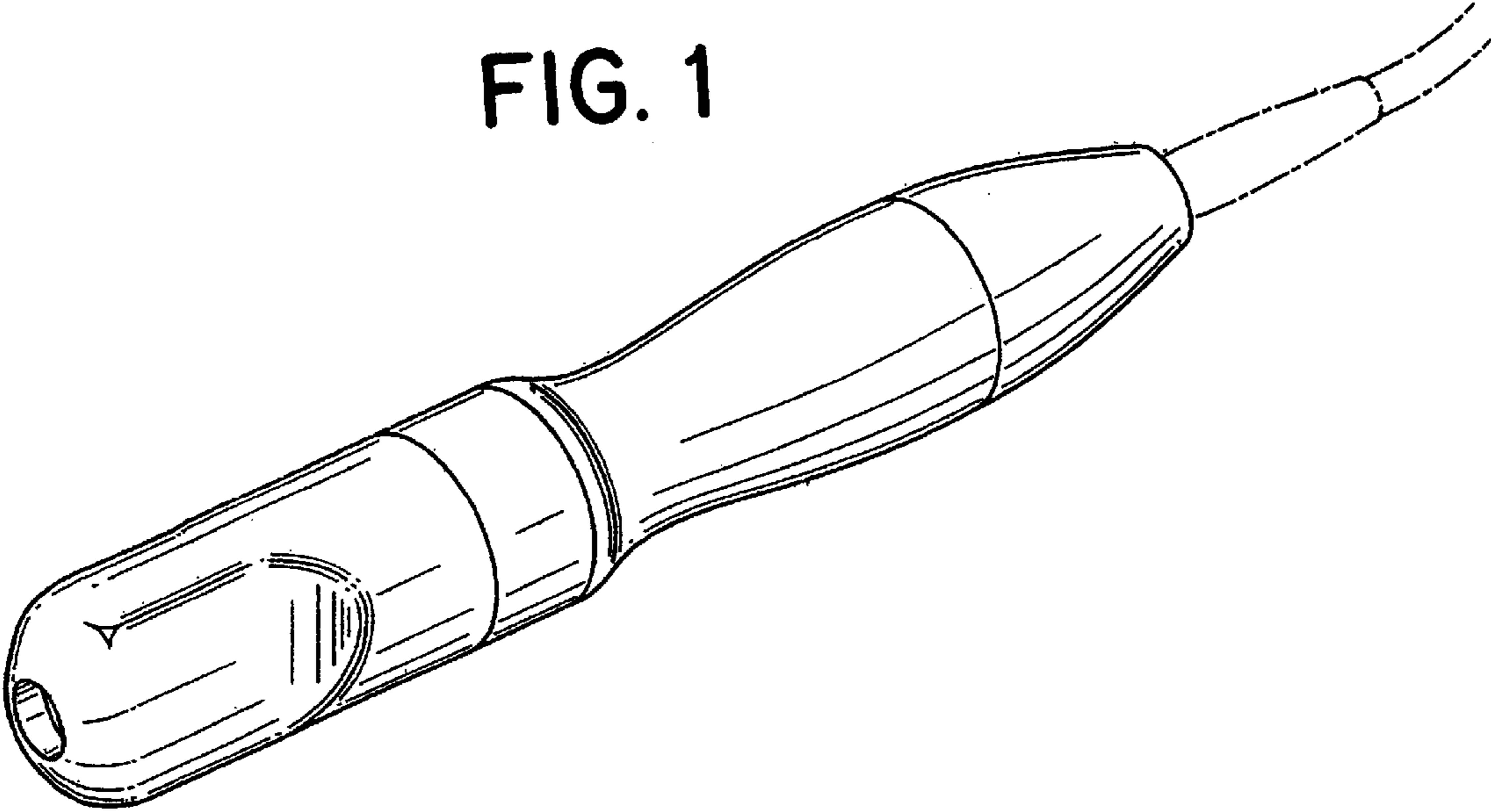


FIG. 2

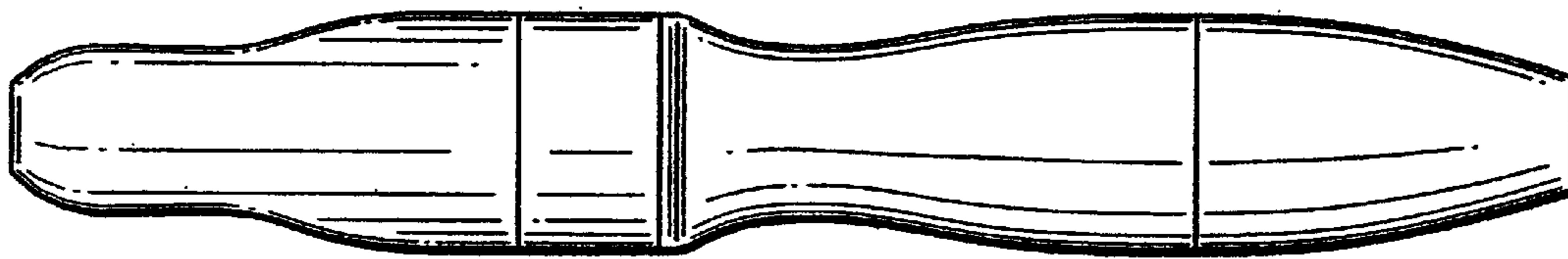


FIG. 3

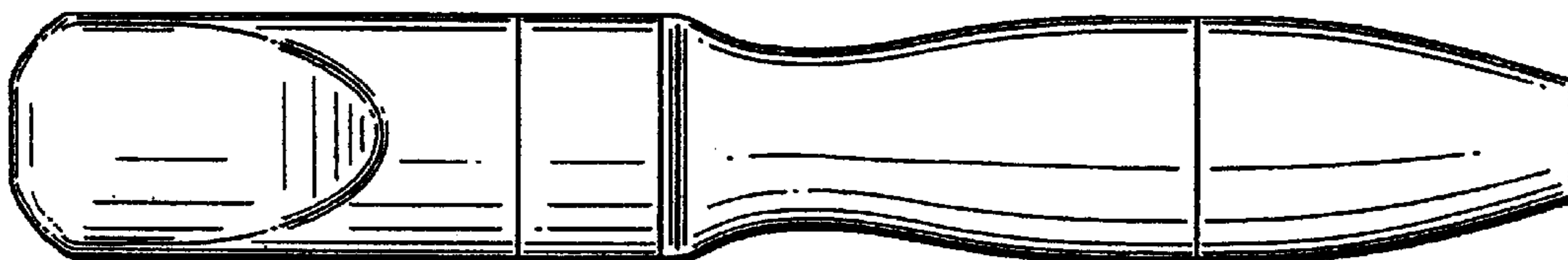


FIG. 4

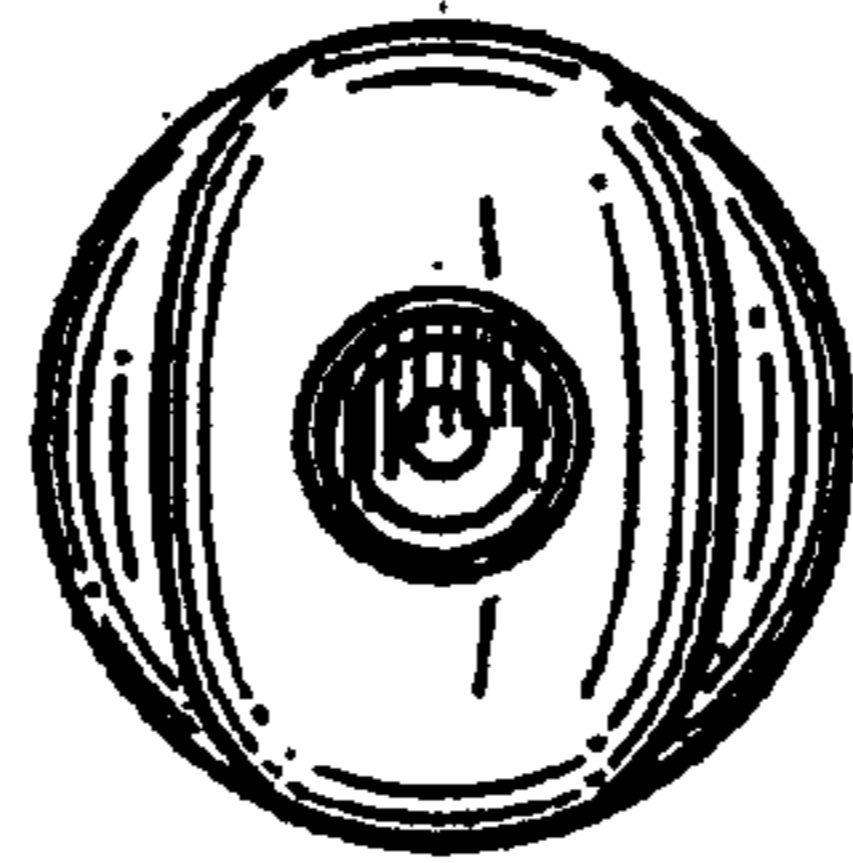
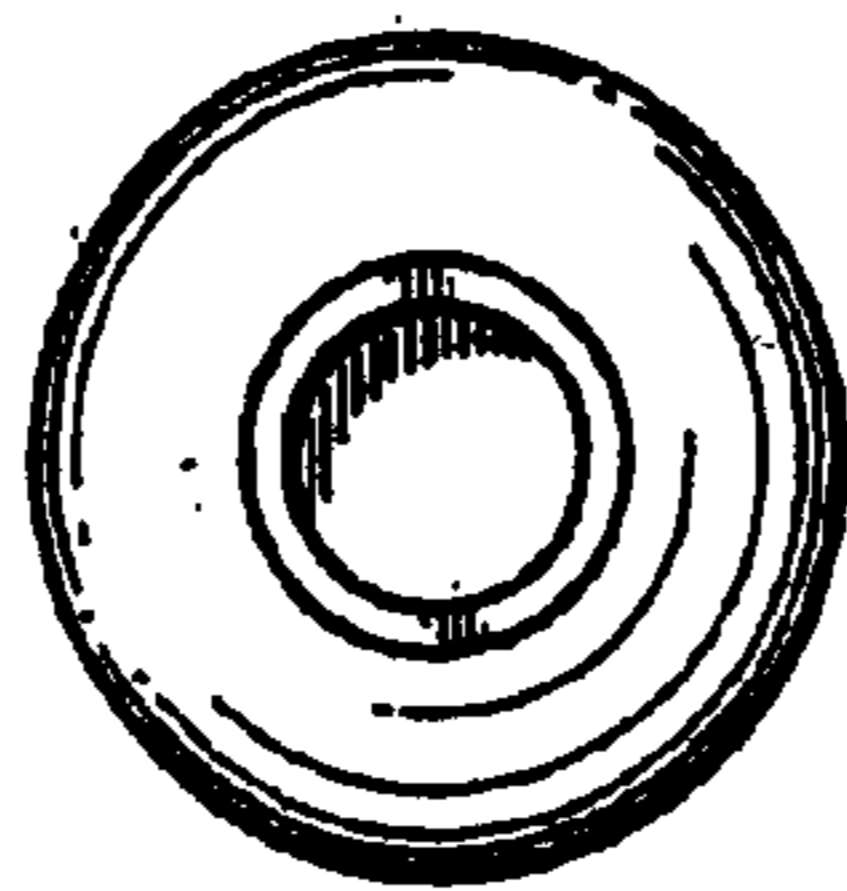


FIG. 5



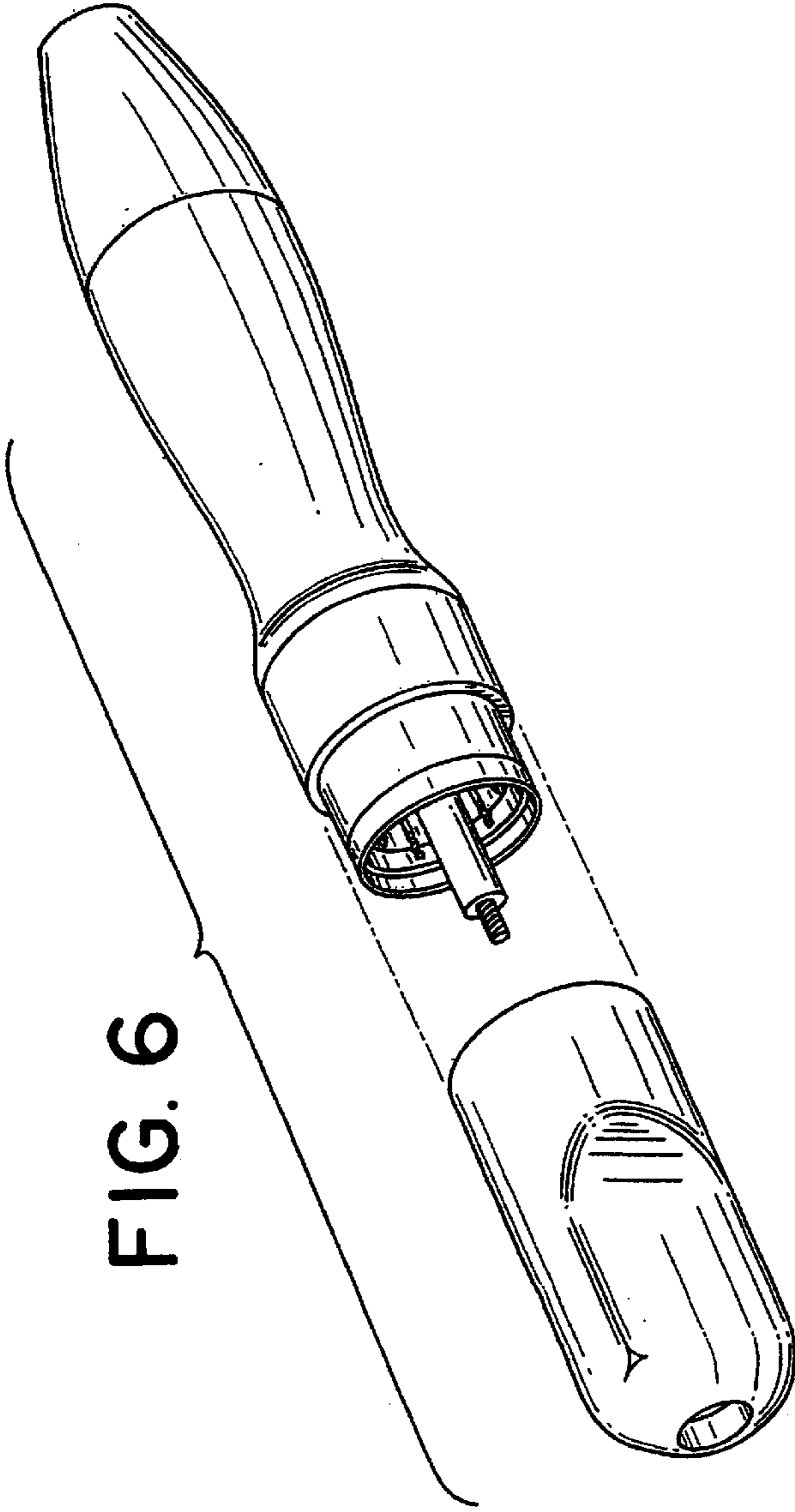


FIG. 7

