



US00D511144S

(12) **United States Design Patent**  
**Heary, Sr.**

(10) **Patent No.:** **US D511,144 S**  
(45) **Date of Patent:** **\*\* Nov. 1, 2005**

(54) **CABLE CLAMP**

(75) **Inventor:** **Kenneth P. Heary, Sr.,** Springville, NY (US)

(73) **Assignee:** **Heary Bros. Lightning Protection Company, Inc.,** Springville, NY (US)

(\*\*) **Term:** **14 Years**

(21) **Appl. No.:** **29/187,159**

(22) **Filed:** **Jul. 29, 2003**

(51) **LOC (8) Cl.** ..... **13-03**

(52) **U.S. Cl.** ..... **D13/154**

(58) **Field of Search** ..... D13/149, 154;  
D26/1; D8/396, 383, 394, 395; 248/69,  
65, 68.1; 439/781, 782

(56) **References Cited**

**U.S. PATENT DOCUMENTS**

- 2,453,432 A \* 11/1948 Hackathorn ..... 403/209
- 2,712,167 A \* 7/1955 Blanchard ..... 24/569
- D209,701 S \* 12/1967 Lindsey ..... D8/396
- D210,663 S \* 4/1968 Piasecki et al. .... D13/146
- D243,404 S \* 2/1977 Mooney et al. .... D13/149
- D246,366 S \* 11/1977 McGrath ..... D13/149
- 4,526,428 A \* 7/1985 Sachs ..... 439/92
- 4,646,395 A \* 3/1987 Mayszak ..... 24/135 R

- 4,707,051 A \* 11/1987 Hall ..... 439/781
- 5,941,483 A \* 8/1999 Baginski ..... 248/68.1
- D424,924 S \* 5/2000 Ackerman ..... D8/396
- 2003/0002840 A1 \* 1/2003 Auclair ..... 385/136

\* cited by examiner

*Primary Examiner*—Holly Baynham  
*Assistant Examiner*—Cynthia M. Chin

(74) *Attorney, Agent, or Firm*—Simpson & Simpson, PLLC

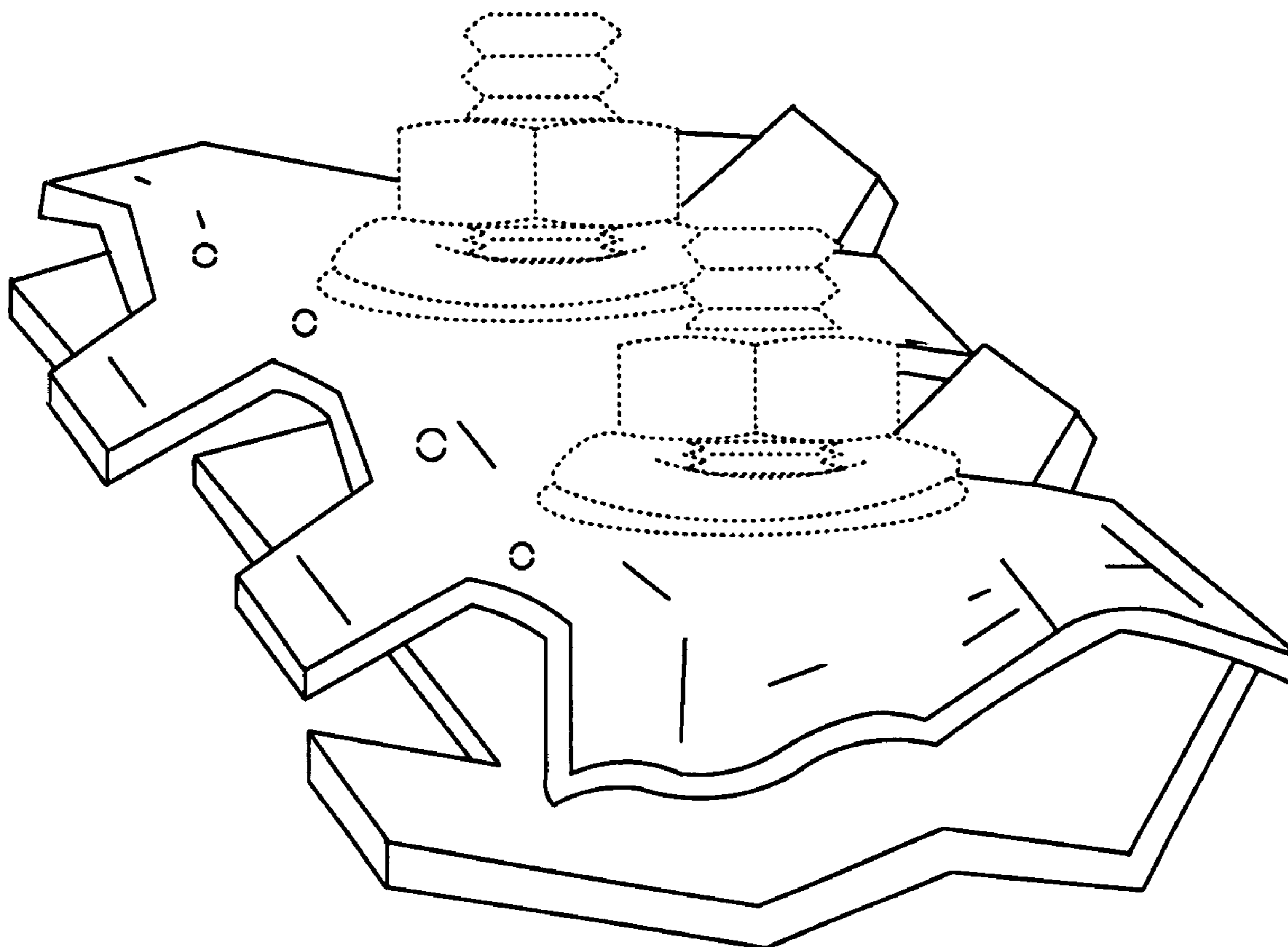
(57) **CLAIM**

The ornamental design for a cable clamp, as shown and described.

**DESCRIPTION**

FIG. 1 is a perspective view of a cable clamp showing my new design;  
 FIG. 2 is a bottom plan view of the present invention;  
 FIG. 3 is a top plan view of the present invention;  
 FIG. 4 is a left side elevational view of the present invention;  
 FIG. 5 is a right side elevational view of the present invention;  
 FIG. 6 is a front elevational view of the present invention;  
 and,  
 FIG. 7 is a rear elevational view of the present invention.  
 The broken lines are for illustrative purposes only and form no part of the claimed design.

**1 Claim, 4 Drawing Sheets**



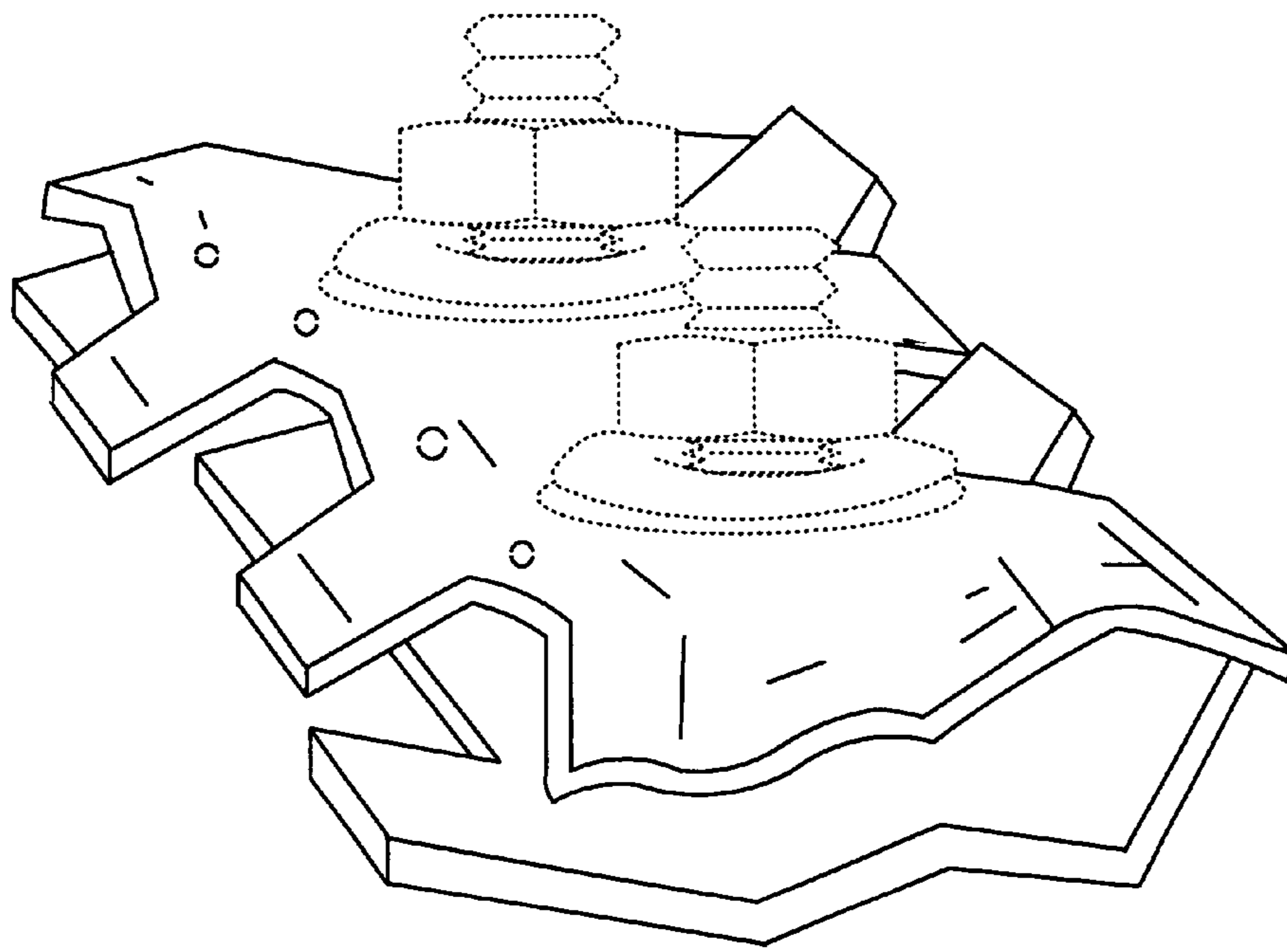


Fig. 1

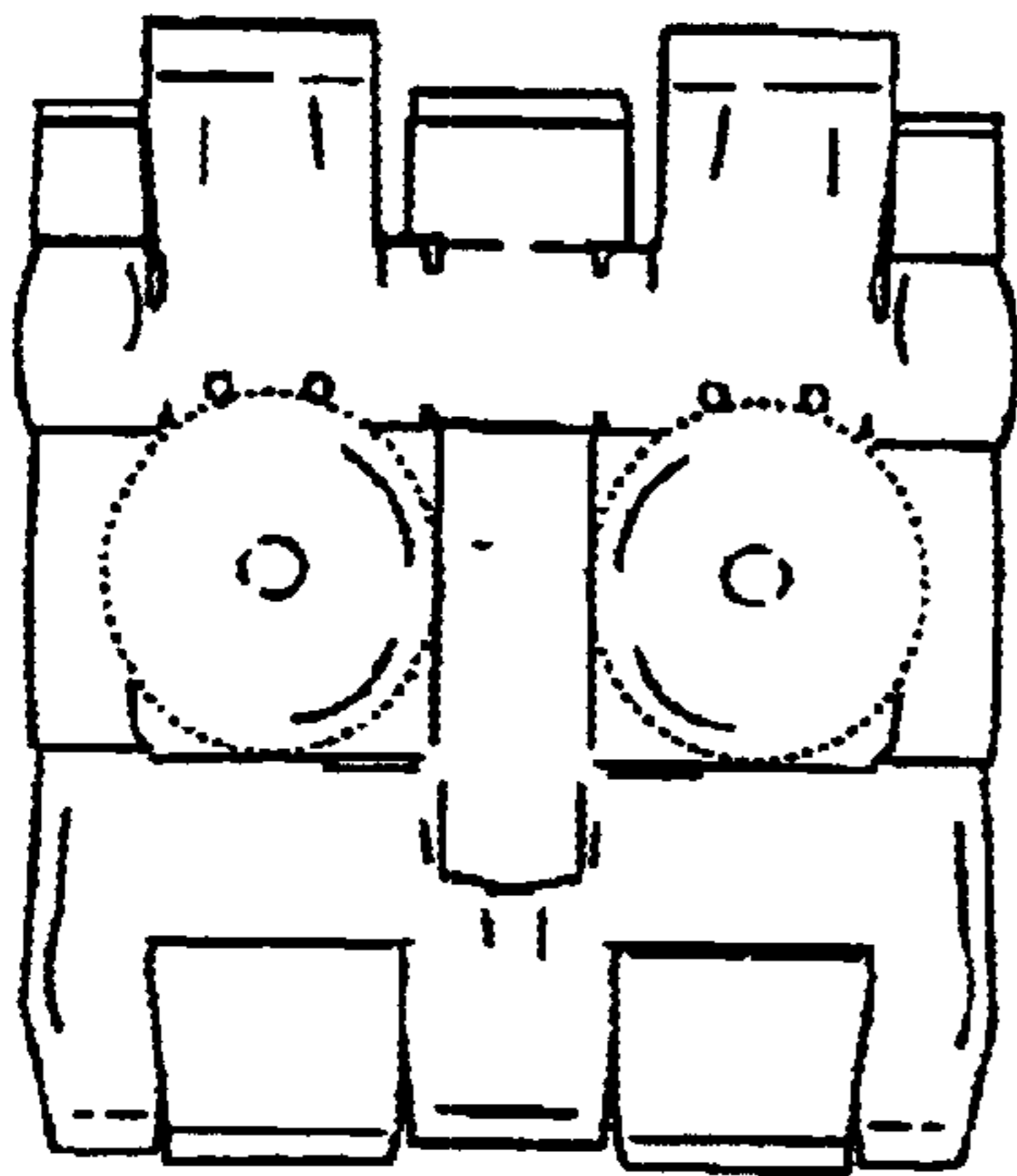


Fig. 2

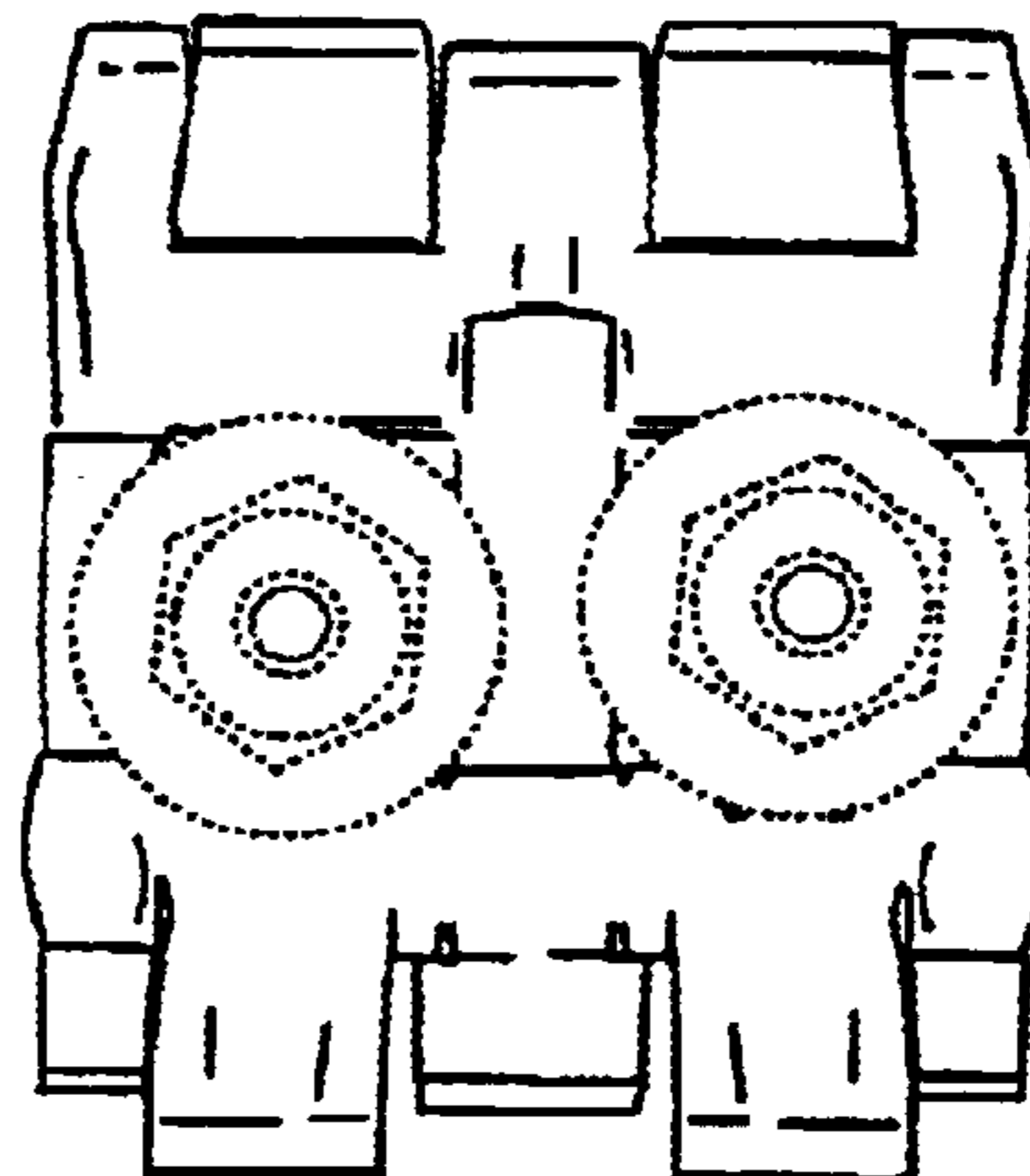


Fig. 3

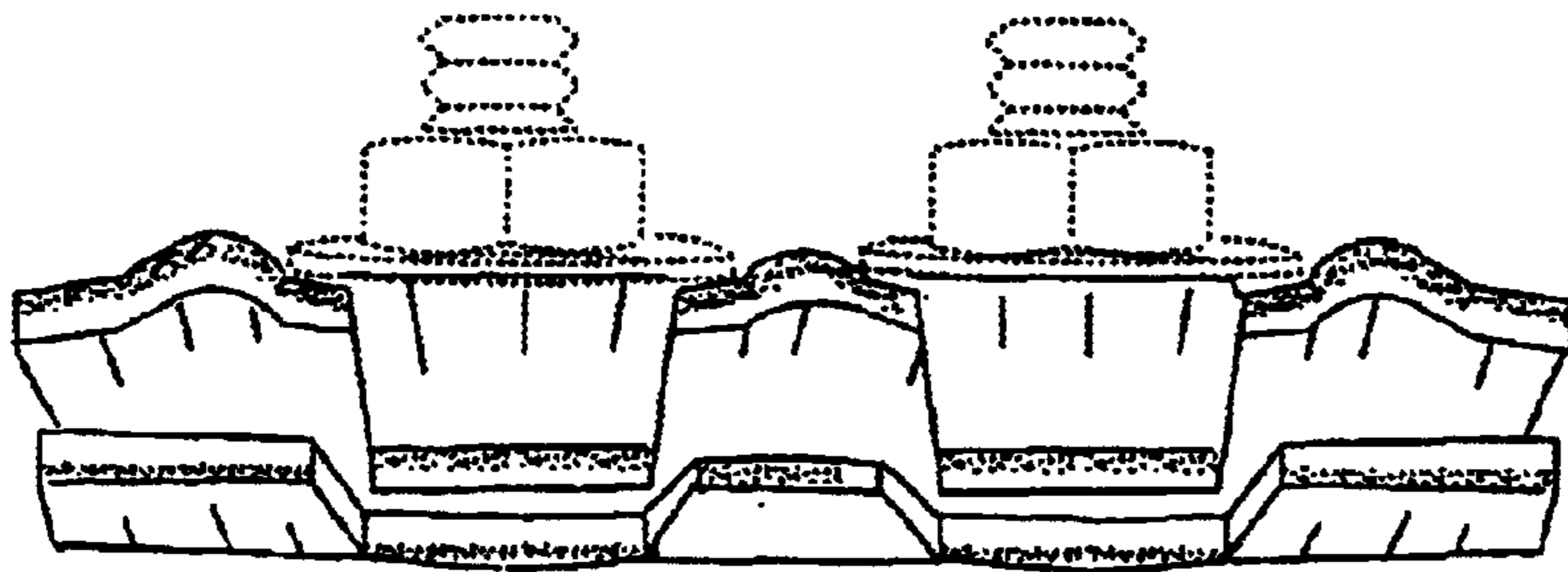


Fig. 4

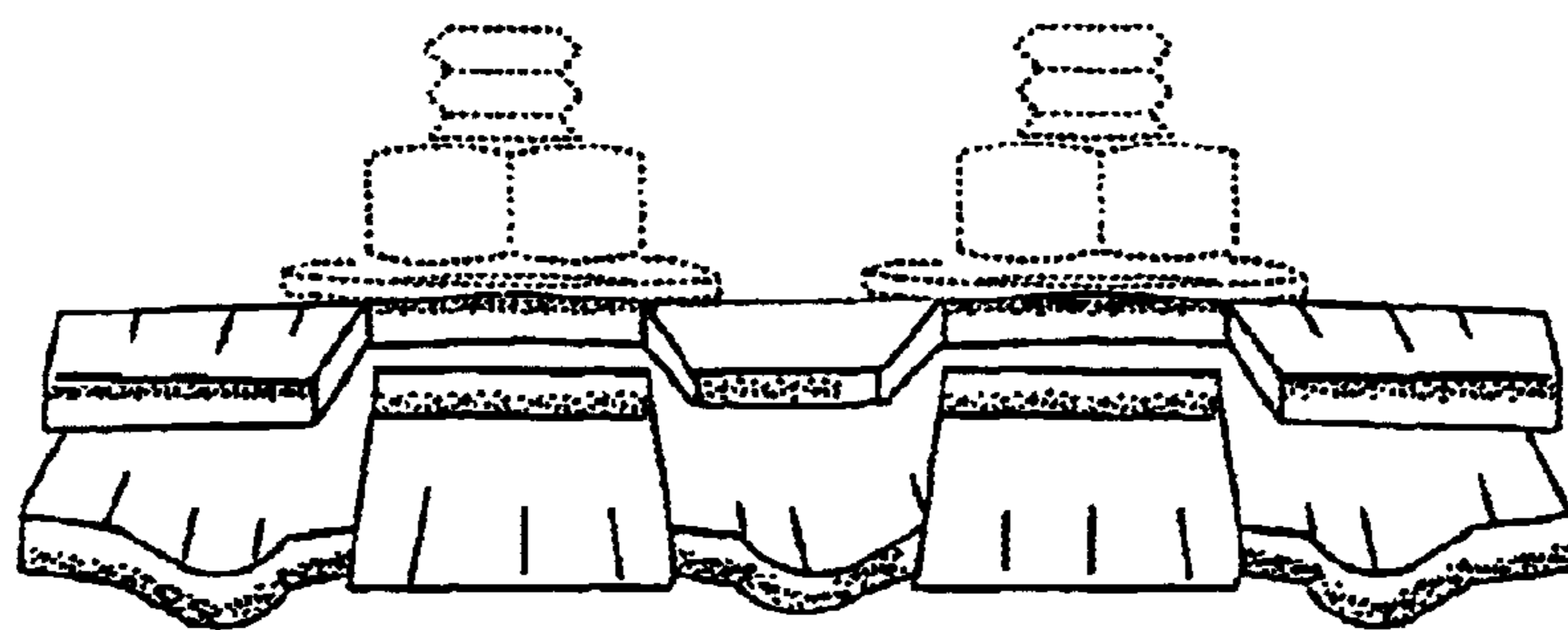


Fig. 5



Fig. 6

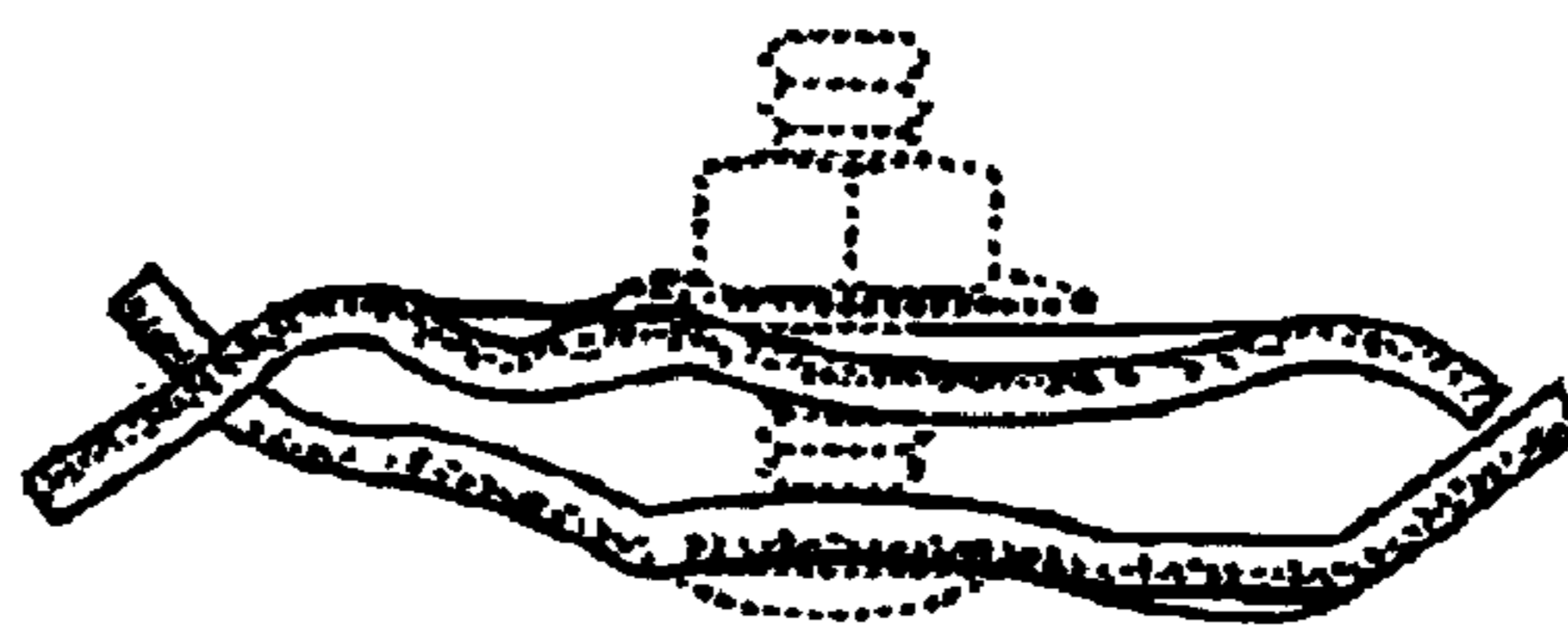


Fig. 7