



US00D511143S

(12) **United States Design Patent**  
**Diatschenko et al.**

(10) **Patent No.:** **US D511,143 S**  
(45) **Date of Patent:** **\*\* Nov. 1, 2005**

(54) **SNAP-TOGETHER BASEBOARD-LIKE  
ACCESSORY FOR CONCEALING  
ELECTRICAL CORDS**

D354,733 S \* 1/1995 Ingraham ..... D13/155  
5,444,956 A 8/1995 Searer et al.  
5,514,834 A \* 5/1996 Zimmerman ..... 174/48  
6,012,683 A \* 1/2000 Howell ..... 248/49  
6,437,243 B1 \* 8/2002 VanderVelde et al. .... 174/68.3

(76) Inventors: **Jody Diatschenko**, 1-17 Bomana Street,  
Aitkenvale, Townsville, 4814, QLD  
(AU); **Katrina A. Diatschenko**, 1-17  
Bomana Street, Aitkenvale, Townsville,  
4814, QLD (AU)

\* cited by examiner

*Primary Examiner*—Alan P. Douglas  
(74) *Attorney, Agent, or Firm*—Donald R. Schoonover

(\*\*) Term: **14 Years**

(57) **CLAIM**

(21) Appl. No.: **29/203,994**

We claim the ornamental design for a snap-together baseboard-like accessory for concealing electrical cords, as shown and described.

(22) Filed: **Apr. 23, 2004**

(51) **LOC (8) Cl.** ..... **13-03**

(52) **U.S. Cl.** ..... **D13/153**

(58) **Field of Search** ..... D13/152, 153,  
D13/155, 154; 174/36, 71, 83, 99, 135,  
48, 49, 70, 72, 95, 97, 101, 683; 29/825,  
869; 138/128, 166

**DESCRIPTION**

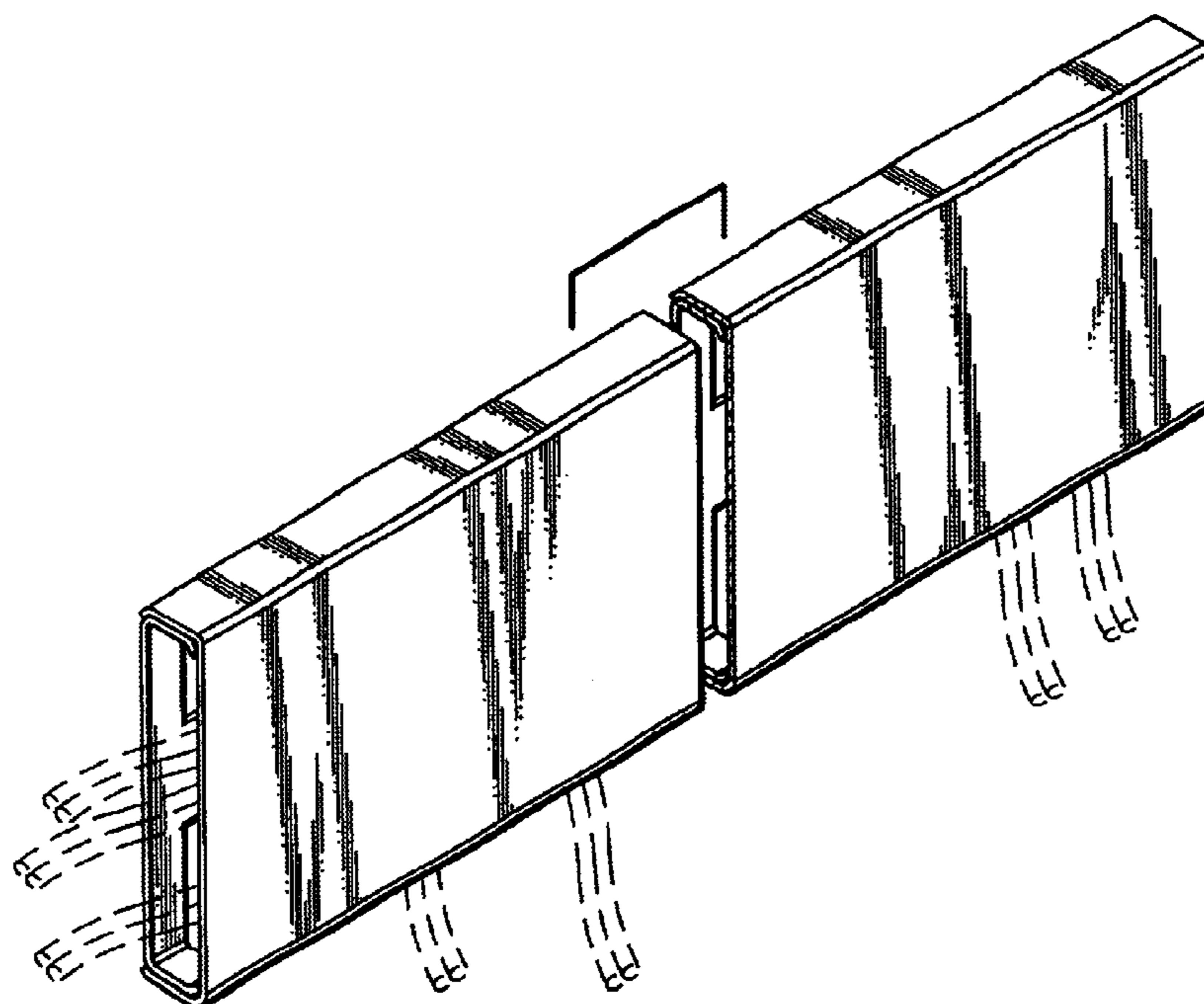
FIG. 1 is a perspective view of our new design for a snap-together baseboard-like accessory for concealing electrical crds, shown broken away as being of indefinite length; FIG. 2 is a front elevational view thereof; FIG. 3 is a top plan view thereof; FIG. 4 is a bottom plan view thereof; FIG. 5 is an end elevational view thereof, the elevational view of the opposing end being a mirror image thereof; FIG. 6 is a rear elevational view thereof; FIG. 7 is a perspective view showing front and rear portions thereof separated from each other; and, FIG. 8 is a perspective view showing the snap-together baseboard-like accessory for concealing electrical cords in use; the broken lines depict environmental structure for illustrative purposes only and form no part of the claimed design.

(56) **References Cited**

**U.S. PATENT DOCUMENTS**

3,452,501 A 7/1969 Zimmer et al.  
3,638,374 A 2/1972 Harby  
3,697,667 A \* 10/1972 Pollak et al. .... 174/68.3  
3,803,781 A 4/1974 Struben  
3,968,322 A \* 7/1976 Taylor ..... 174/72 A  
4,052,830 A 10/1977 Smith  
D247,216 S 2/1978 Mathews  
D263,021 S 2/1982 Siegfried  
5,010,703 A 4/1991 Pearlman et al.  
5,029,704 A 7/1991 Stillinger

**1 Claim, 4 Drawing Sheets**



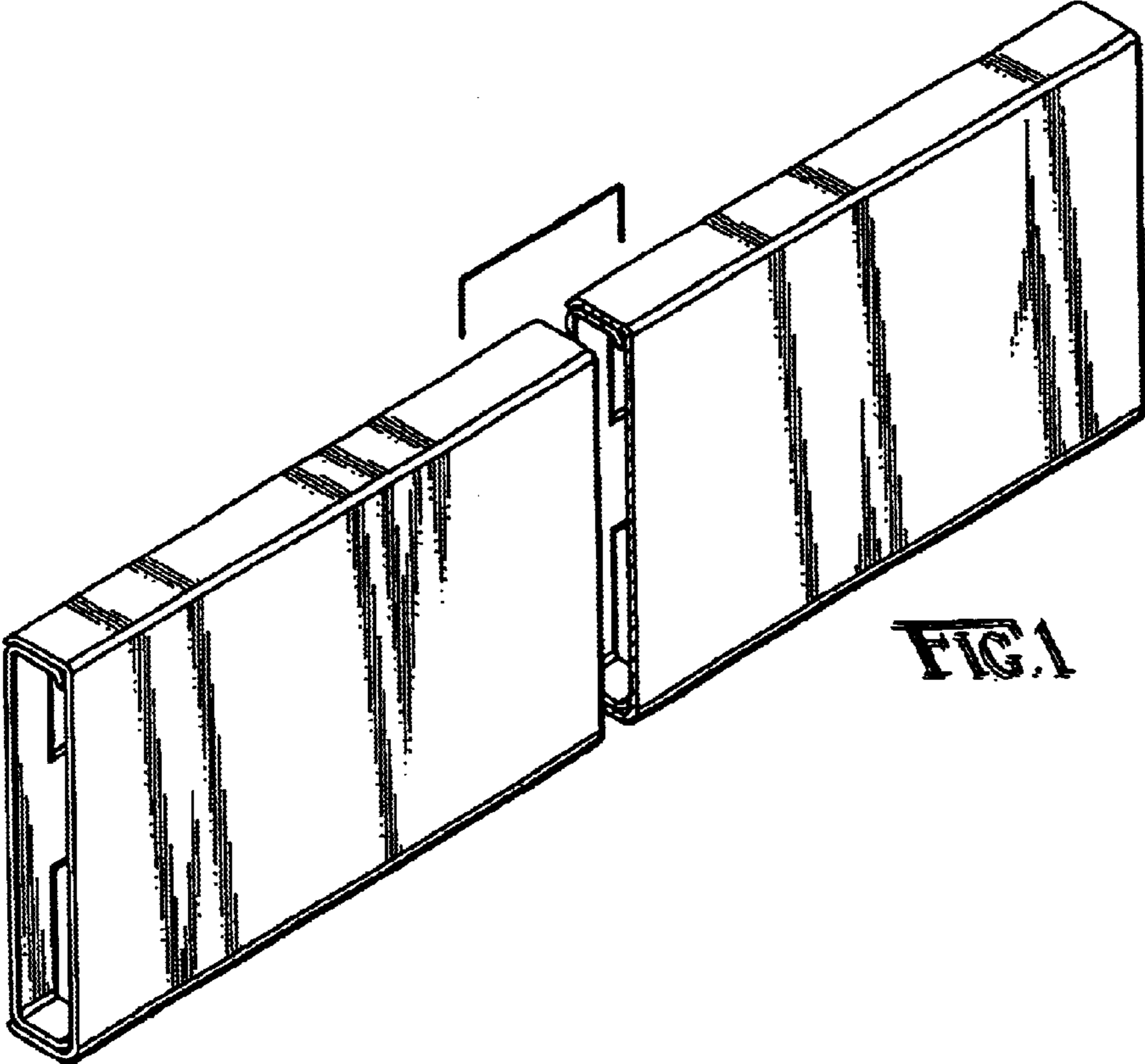


FIG. 1

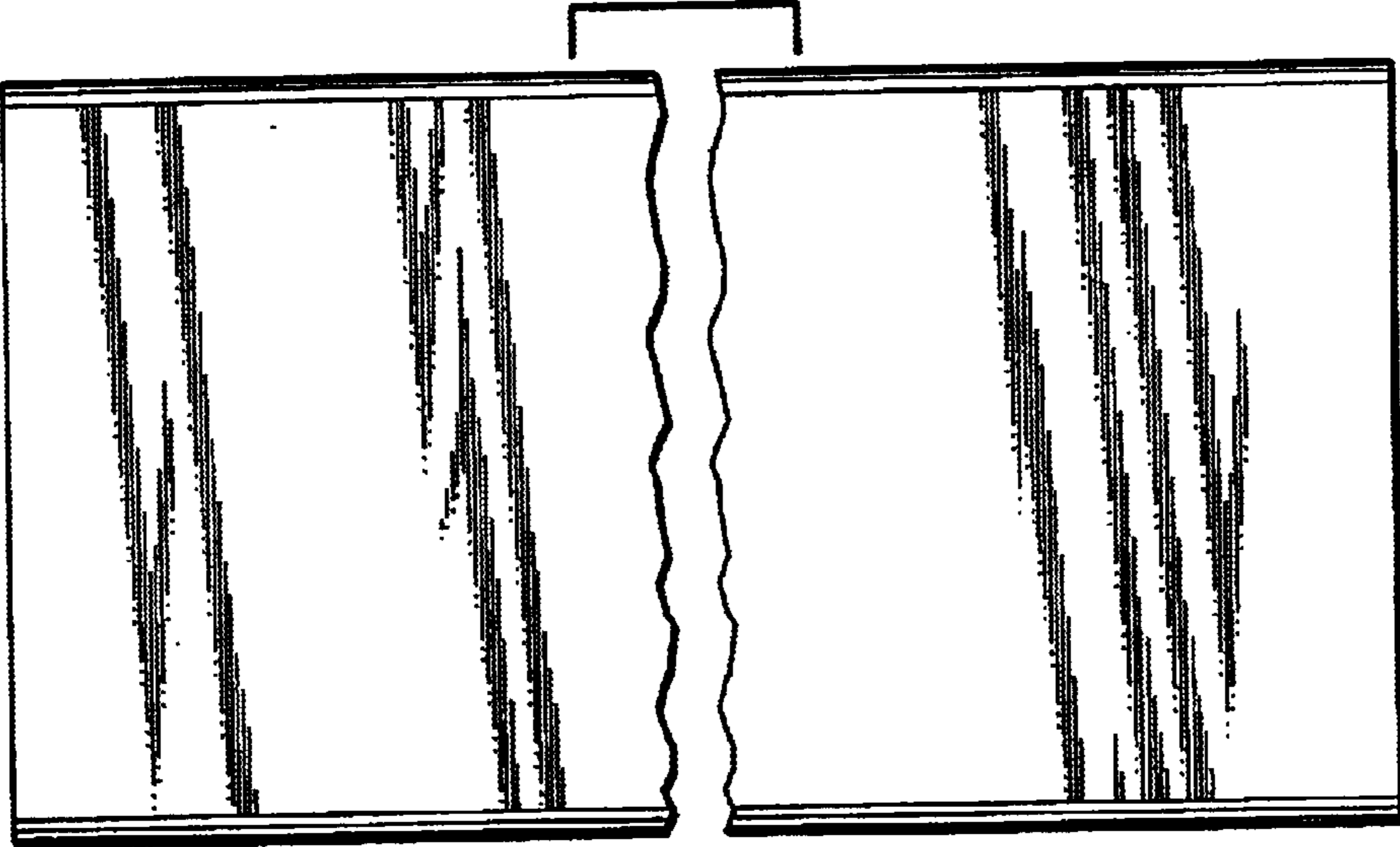


FIG. 2

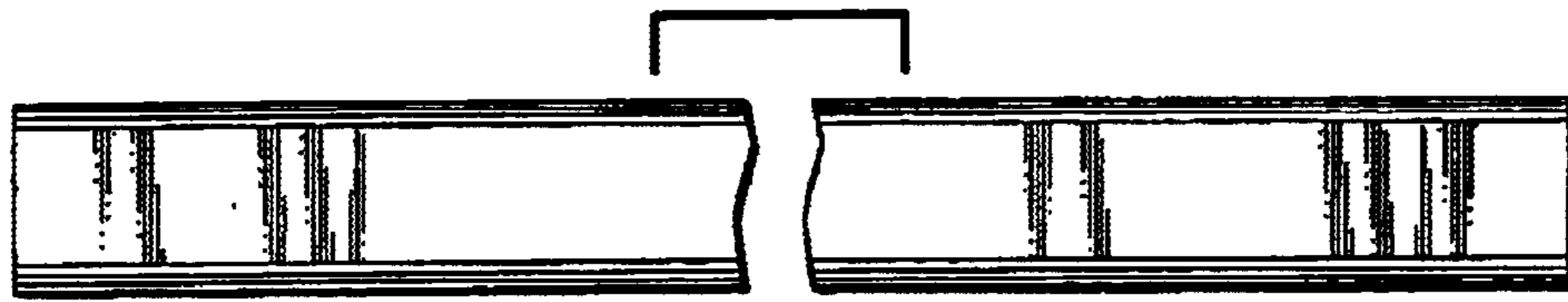


FIG. 3

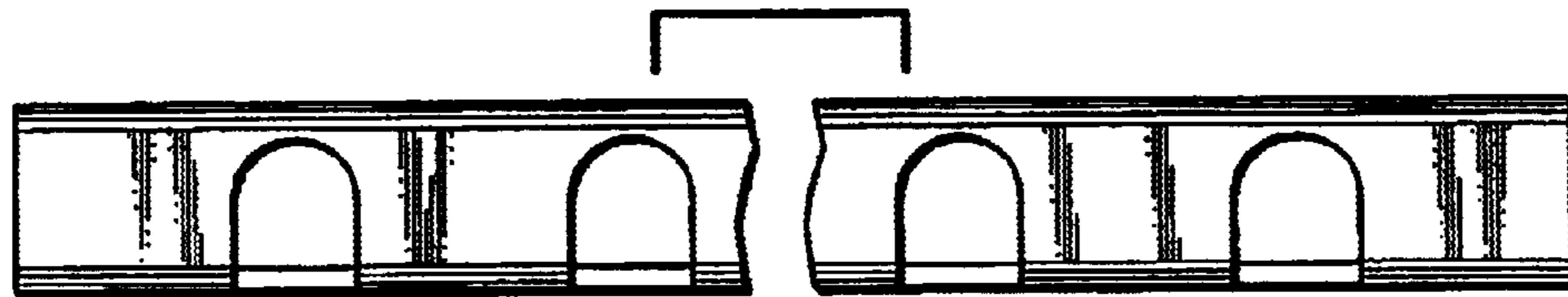


FIG. 4



FIG. 5

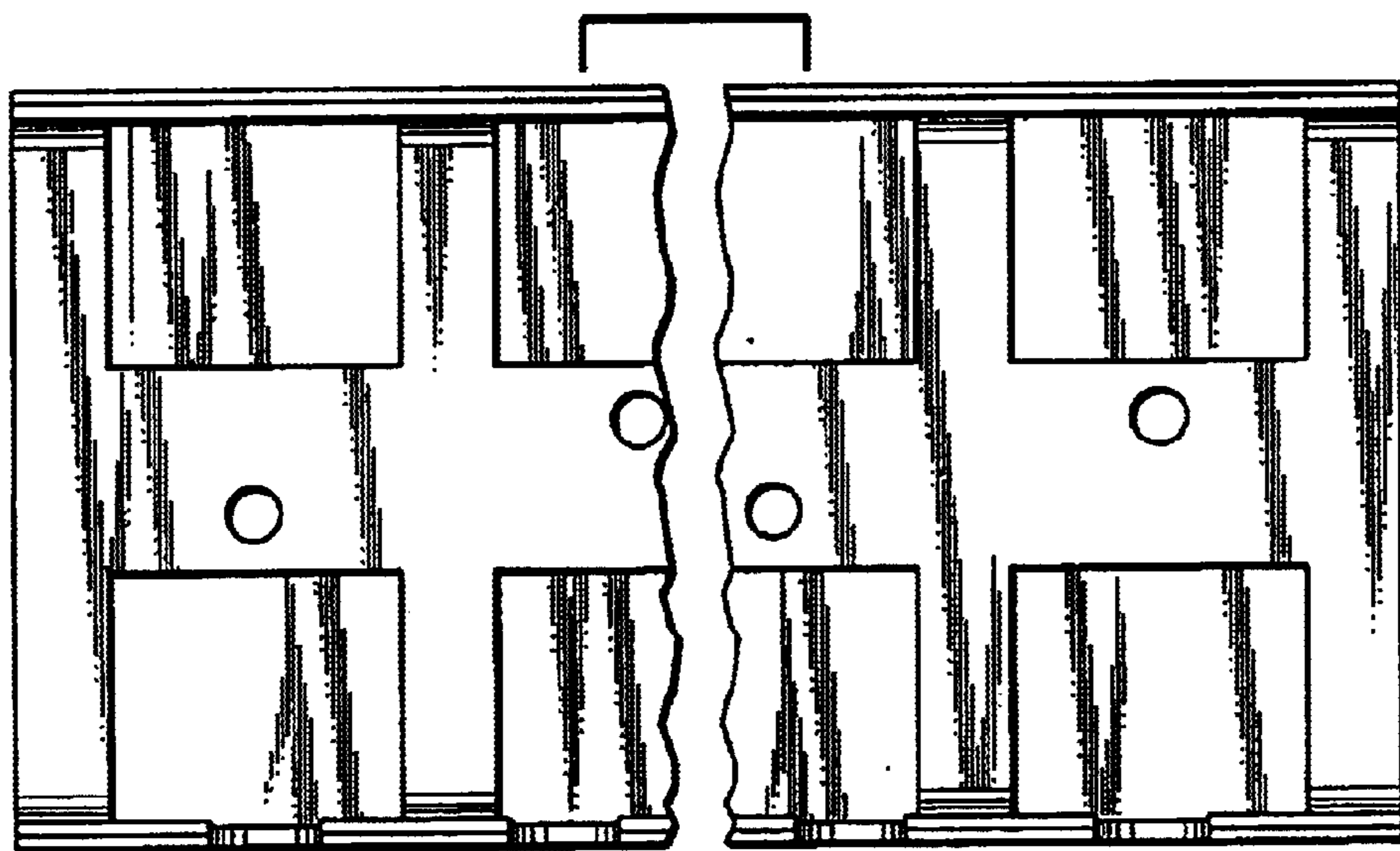


FIG. 6

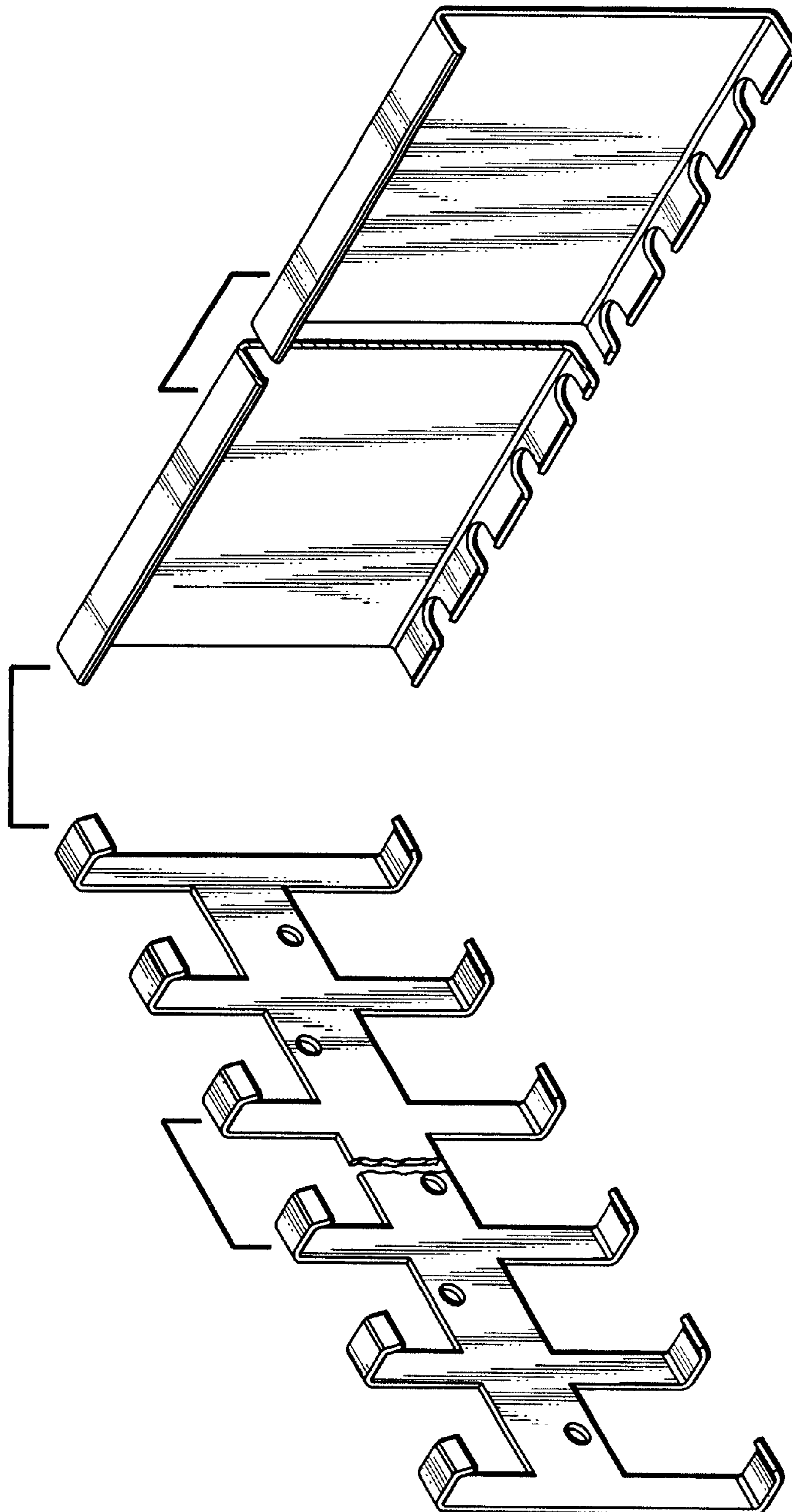


FIG. 3

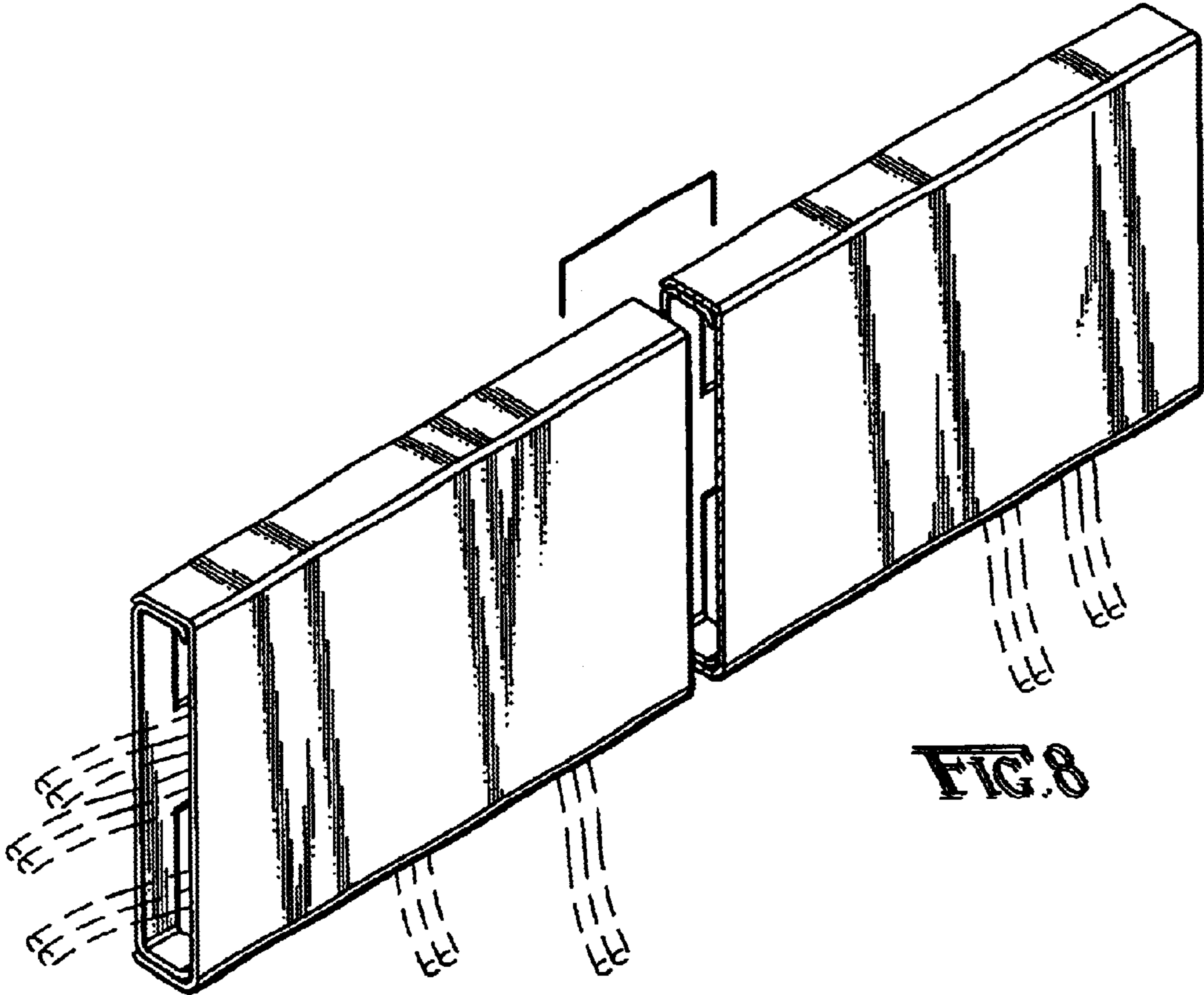


FIG. 8