



US00D511142S

(12) **United States Design Patent**
de Jonge et al.

(10) **Patent No.:** **US D511,142 S**

(45) **Date of Patent:** **** Nov. 1, 2005**

(54) **SYSTEM CONNECTOR**

(75) Inventors: **Johannes de Jonge**, Sodra Sandby
(SE); **Peter Jaeger**, Dussen (NL)

(73) Assignee: **Sony Ericsson Mobile**
Communications AB, Lund (SE)

(**) Term: **14 Years**

(21) Appl. No.: **29/218,793**

(22) Filed: **Dec. 8, 2004**

(30) **Foreign Application Priority Data**

Oct. 11, 2004 (EM) 000238472-0001

(51) **LOC (8) Cl.** **13-03**

(52) **U.S. Cl.** **D13/147**

(58) **Field of Search** D13/133, 146-147,
D13/184, 199; 439/353, 354, 357, 358,
557, 567, 680, 750

(56) **References Cited**

U.S. PATENT DOCUMENTS

5,201,667 A * 4/1993 Endo et al. 439/189
6,095,863 A * 8/2000 Tung 439/607

D455,719 S * 4/2002 Wu D13/147
6,419,502 B1 * 7/2002 Trammel 439/79
6,447,307 B1 * 9/2002 Wu 439/79
D475,974 S * 6/2003 Ushiro et al. D13/147
D476,955 S * 7/2003 Ushiro et al. D13/147
D477,285 S * 7/2003 Miyamoto et al. D13/147
D491,148 S * 6/2004 Zhao et al. D13/147

* cited by examiner

Primary Examiner—Stella Reid

Assistant Examiner—Daniel Bui

(74) *Attorney, Agent, or Firm*—Albihns Stockholm AB

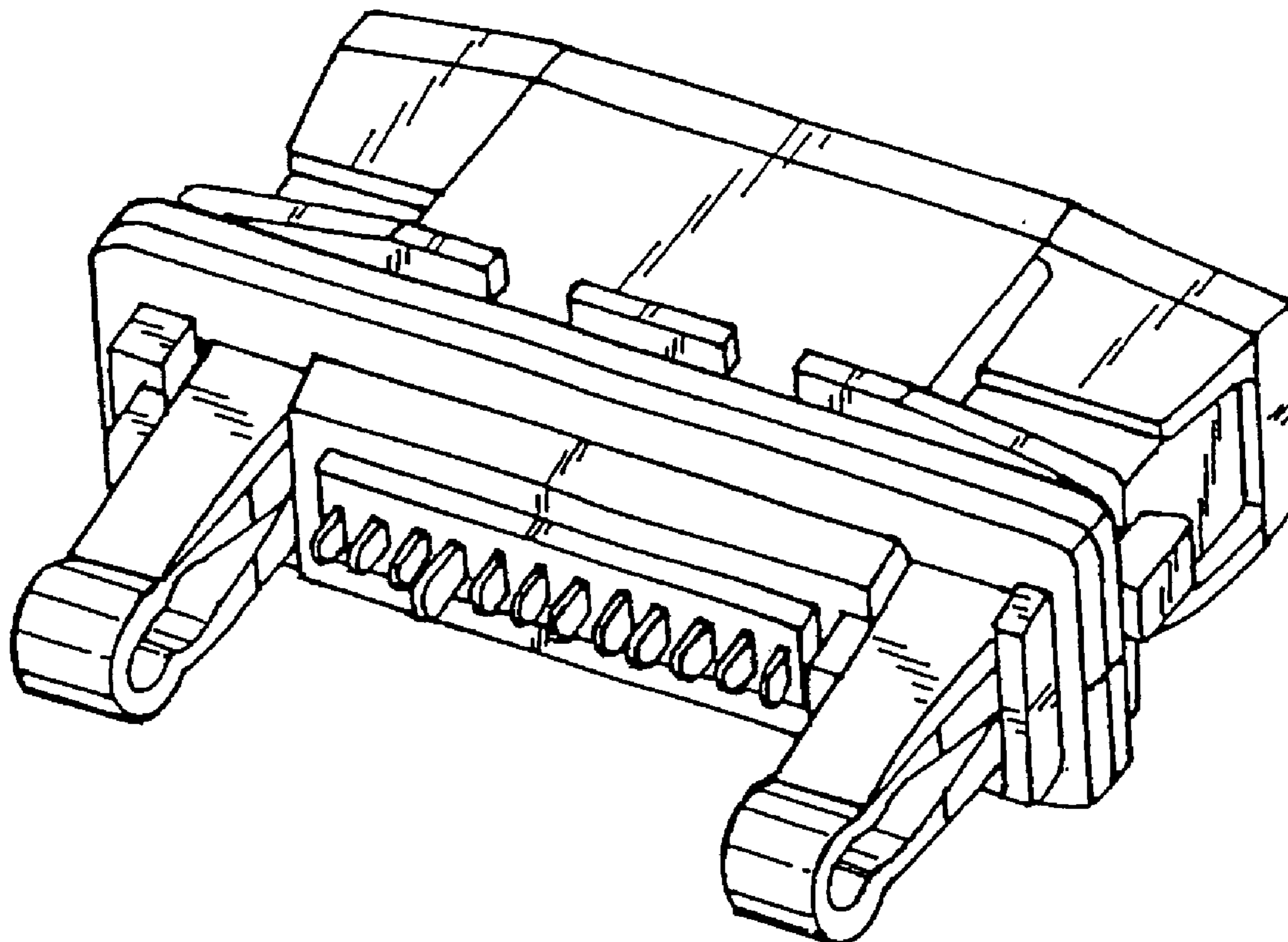
(57) **CLAIM**

The ornamental design for a system connector, as shown.

DESCRIPTION

FIG. 1 is an top right perspective view of a system connector according to our new design;
FIG. 2 is a rear view thereof;
FIG. 3 is a front view thereof;
FIG. 4 is a right side view thereof;
FIG. 5 is a left side view thereof;
FIG. 6 is a top plan view thereof; and,
FIG. 7 is a bottom view thereof.

1 Claim, 2 Drawing Sheets



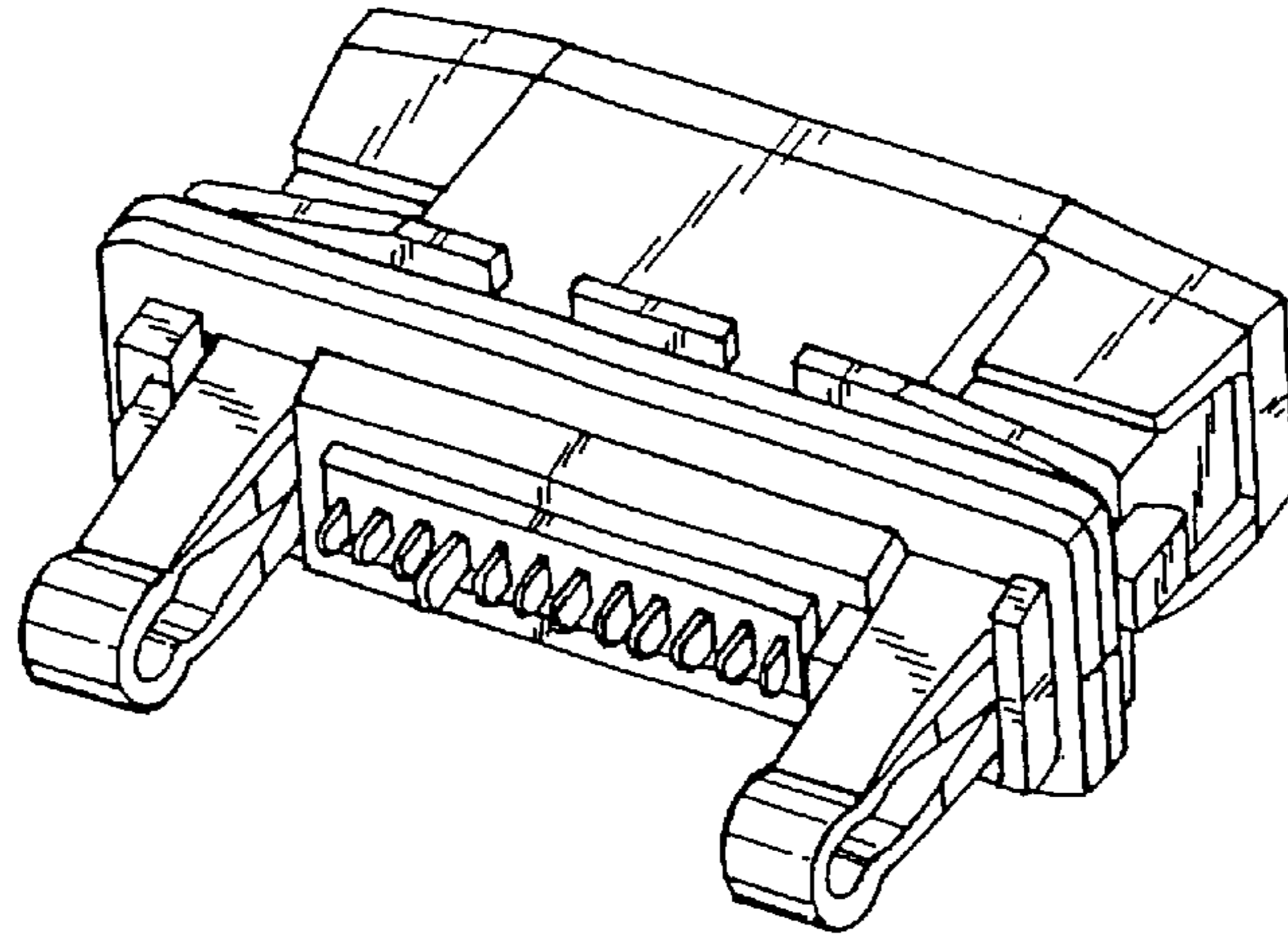


Fig. 1

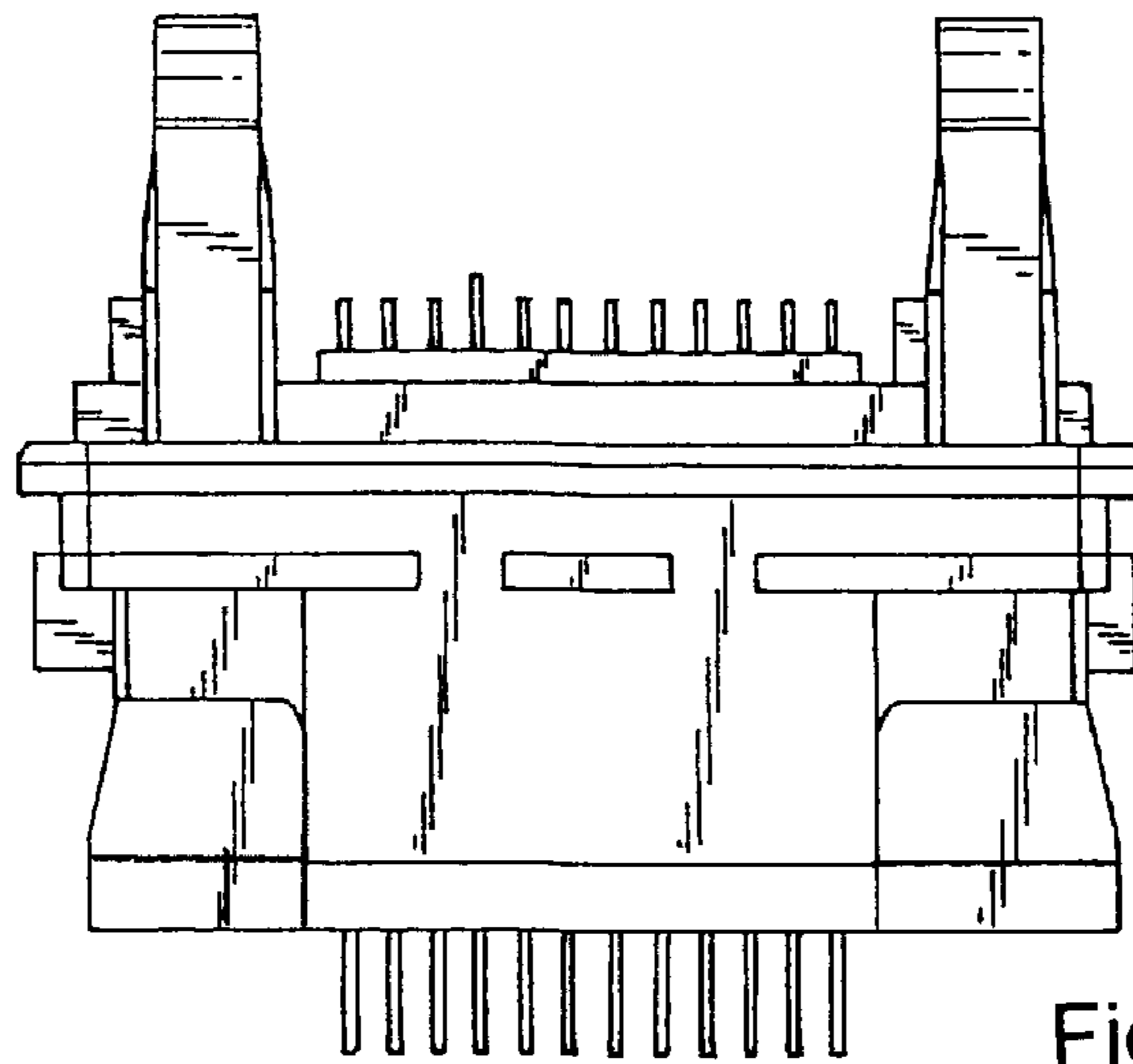


Fig. 2

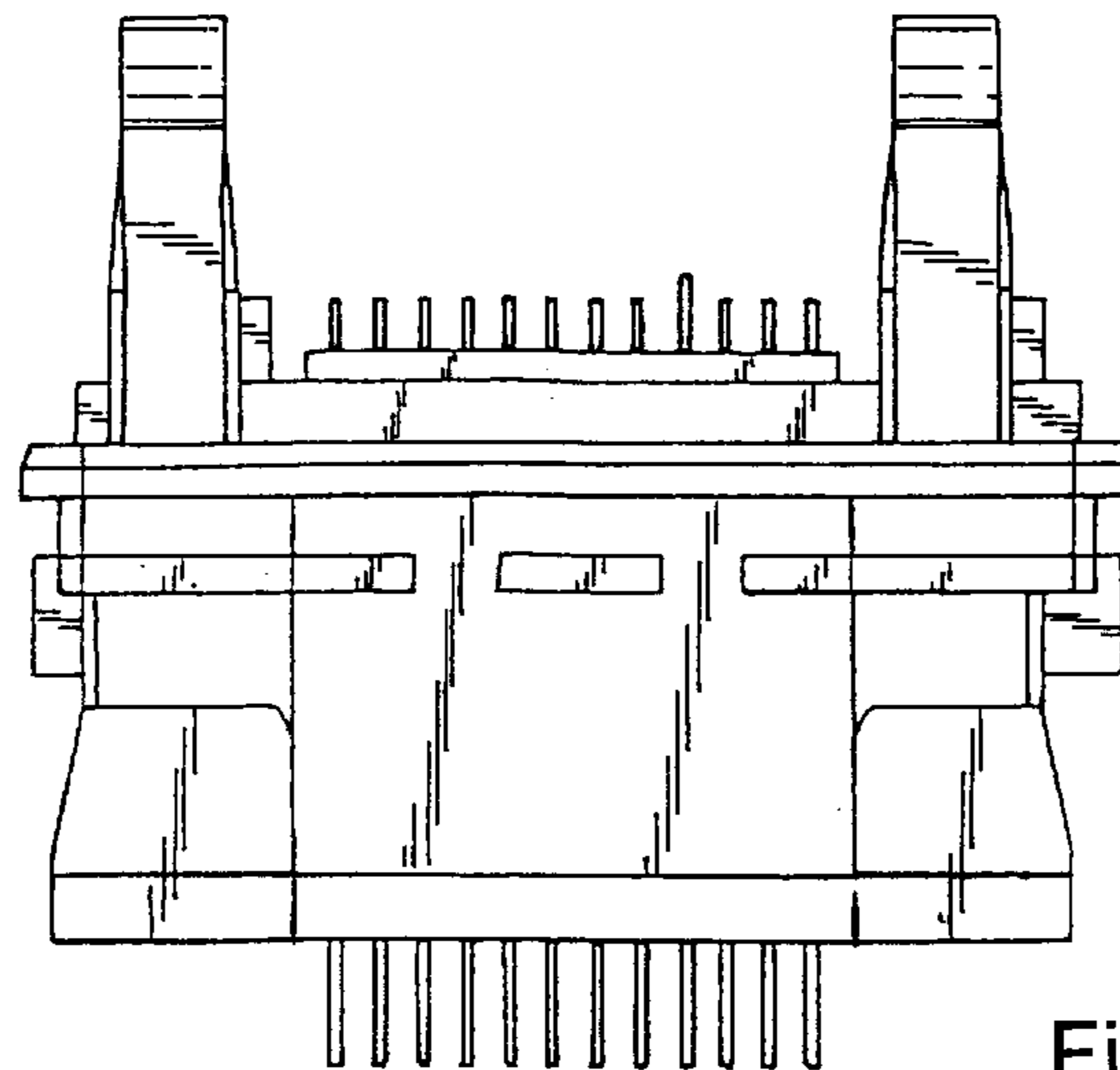


Fig. 3

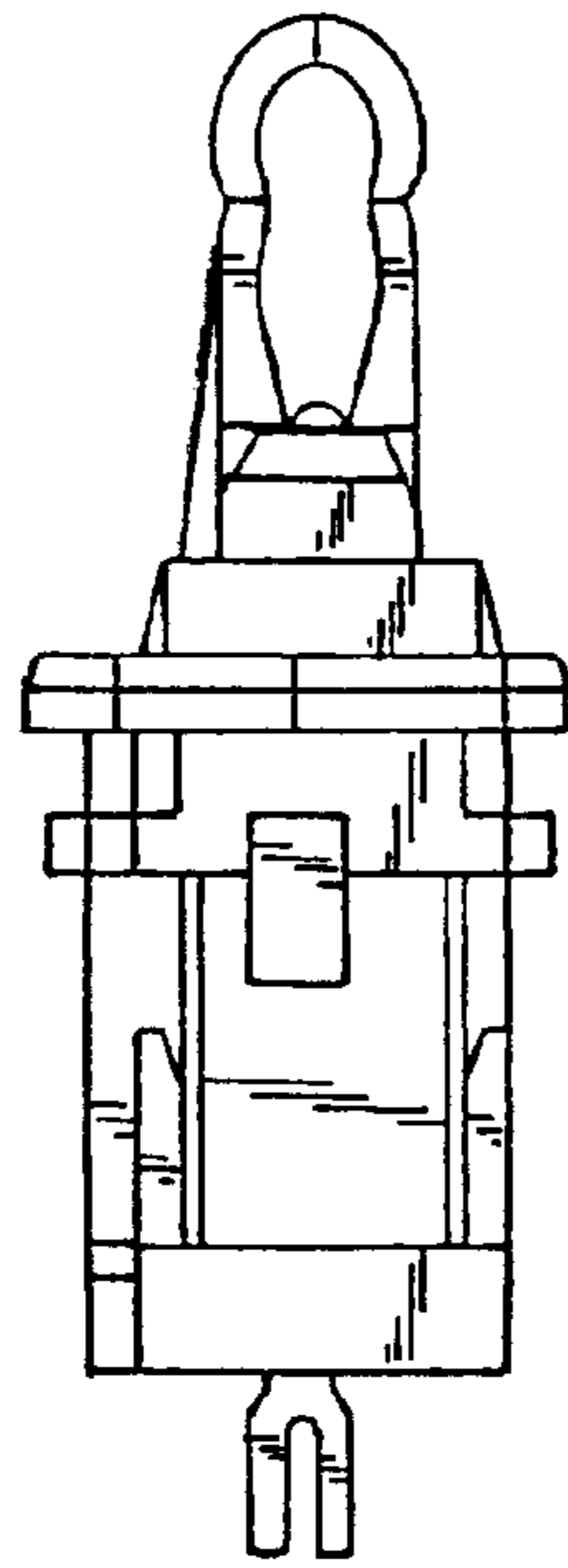


Fig. 4

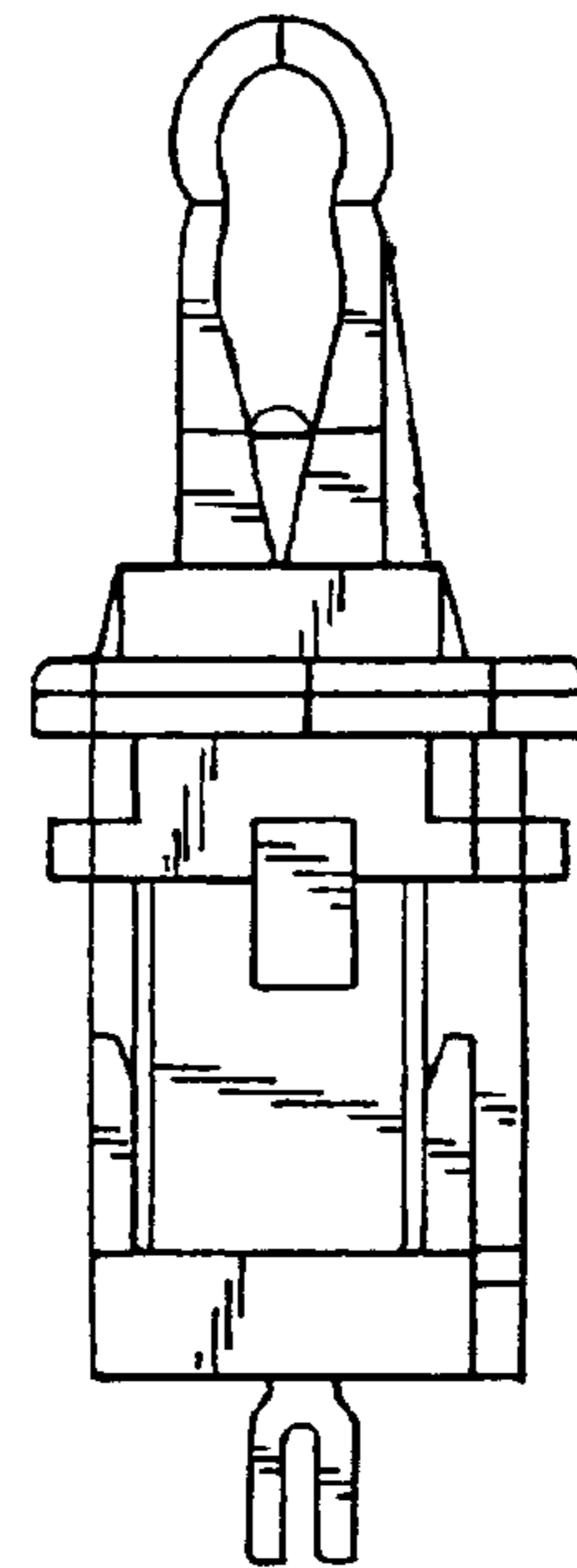


Fig. 5



Fig. 6

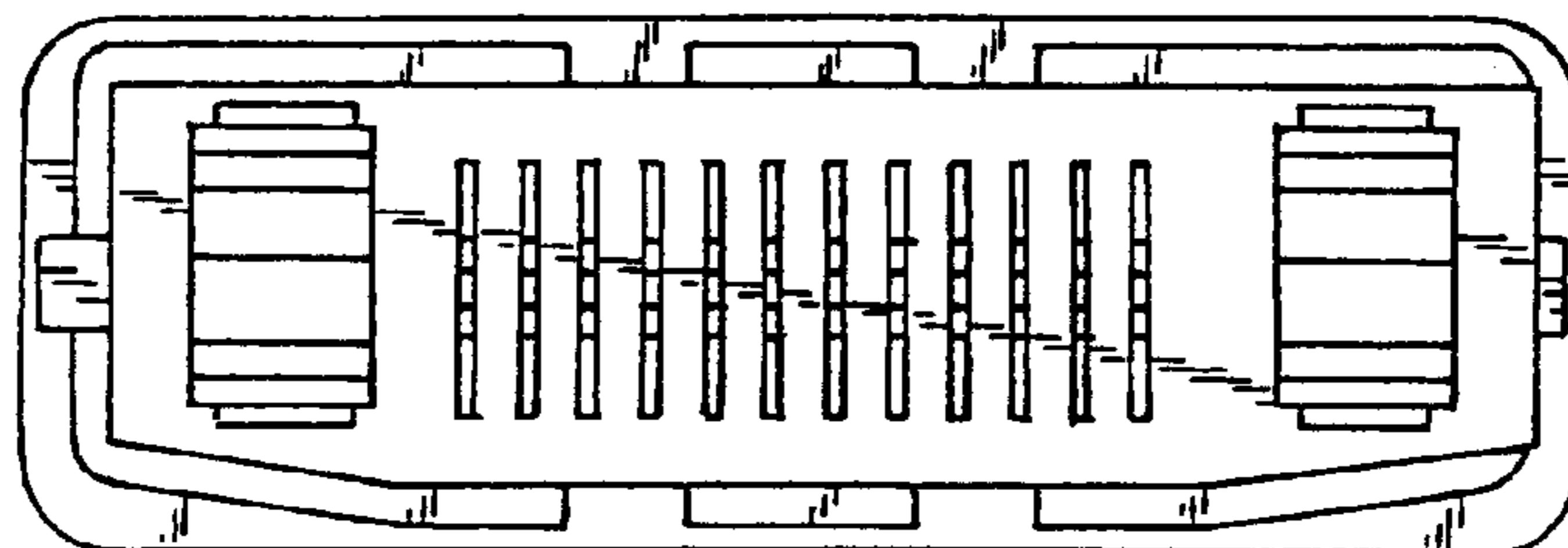


Fig. 7