



US00D511141S

(12) **United States Design Patent**
Shimizu et al.

(10) **Patent No.:** **US D511,141 S**
(45) **Date of Patent:** **** Nov. 1, 2005**

(54) **HOUSING FOR ELECTRICAL CONNECTOR**

(75) Inventors: **Kazuomi Shimizu**, Aichi (JP); **Akihiko Onchi**, Aichi (JP); **Daisuke Miyachi**, Aichi (JP)

(73) Assignee: **J.S.T. Mfg. Co., Ltd.**, Osaka (JP)

(**) Term: **14 Years**

(21) Appl. No.: **29/213,866**

(22) Filed: **Sep. 24, 2004**

(30) **Foreign Application Priority Data**

Mar. 26, 2004 (JP) 2004-009142

(51) **LOC (8) Cl.** **13-03**

(52) **U.S. Cl.** **D13/147**

(58) **Field of Search** D13/146-147,
D13/199; 439/62, 260, 325, 329, 395, 422,
492, 495, 499, 607

(56) **References Cited**

U.S. PATENT DOCUMENTS

- D454,114 S * 3/2002 Hayashi et al. D13/147
- D455,717 S * 4/2002 Hayashi et al. D13/147
- D456,780 S * 5/2002 Igarashi D13/147
- D470,110 S * 2/2003 Yamane D13/147
- D481,998 S * 11/2003 Saito et al. D13/147
- D482,327 S * 11/2003 Saito et al. D13/147
- D497,343 S * 10/2004 Busse et al. D13/147
- D497,344 S * 10/2004 Huang D13/147
- D500,985 S * 1/2005 Yamane et al. D13/147
- 2005/0020125 A1 * 1/2005 Huang 439/495

FOREIGN PATENT DOCUMENTS

JP D1077207 S 7/2000

- JP D1043386/1 S 7/2000
- JP D1077207/1 S 8/2000
- JP D1109454 S 5/2001
- JP D1109456 S 5/2001
- JP D1109457 S 5/2001
- JP D1109458 S 5/2001
- JP D1109575 S 5/2001
- JP D1147333 S 7/2002
- JP D1156757 S 10/2002
- JP D1187555 S 10/2003
- JP D1187647 S 10/2003

OTHER PUBLICATIONS

Catalog, "Connectors Catalog / SHL Connector," vol. 111, pp. 10-11, JST Mfg. Co., Ltd. (Nov. 2002).

* cited by examiner

Primary Examiner—Stella Reid

Assistant Examiner—Daniel Bui

(74) *Attorney, Agent, or Firm*—Rader, Fishman & Grauer PLLC

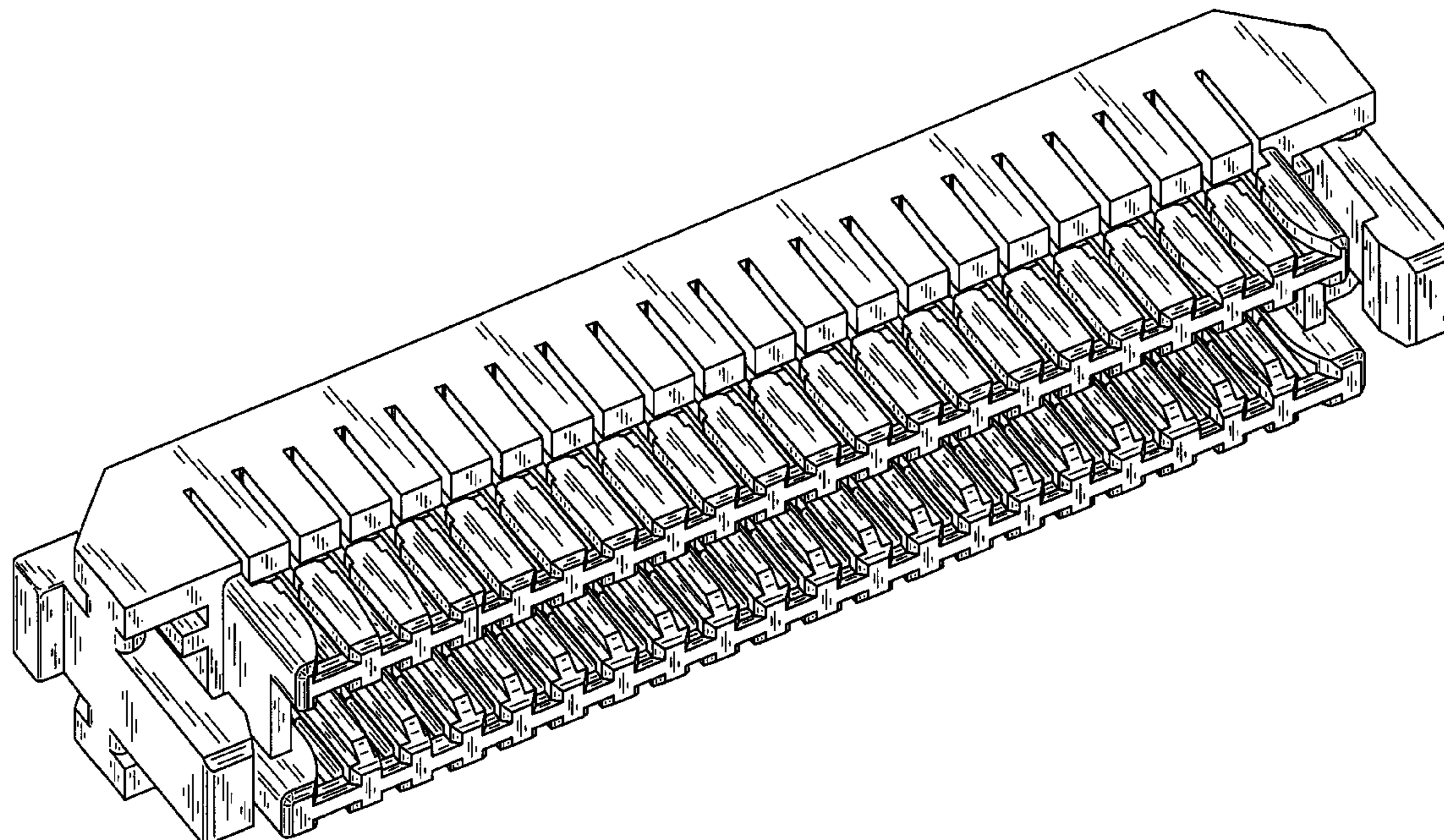
(57) **CLAIM**

The ornamental design for a housing for electrical connector, as shown.

DESCRIPTION

FIG. 1 is a perspective view of a housing for electrical connector showing our new design; FIG. 2 is a front elevational view thereof; FIG. 3 is a rear elevational view thereof; FIG. 4 is a top plan view thereof; FIG. 5 is a bottom plan view thereof; FIG. 6 is a right side elevational view thereof; and, FIG. 7 is a left side elevational view thereof.

1 Claim, 6 Drawing Sheets



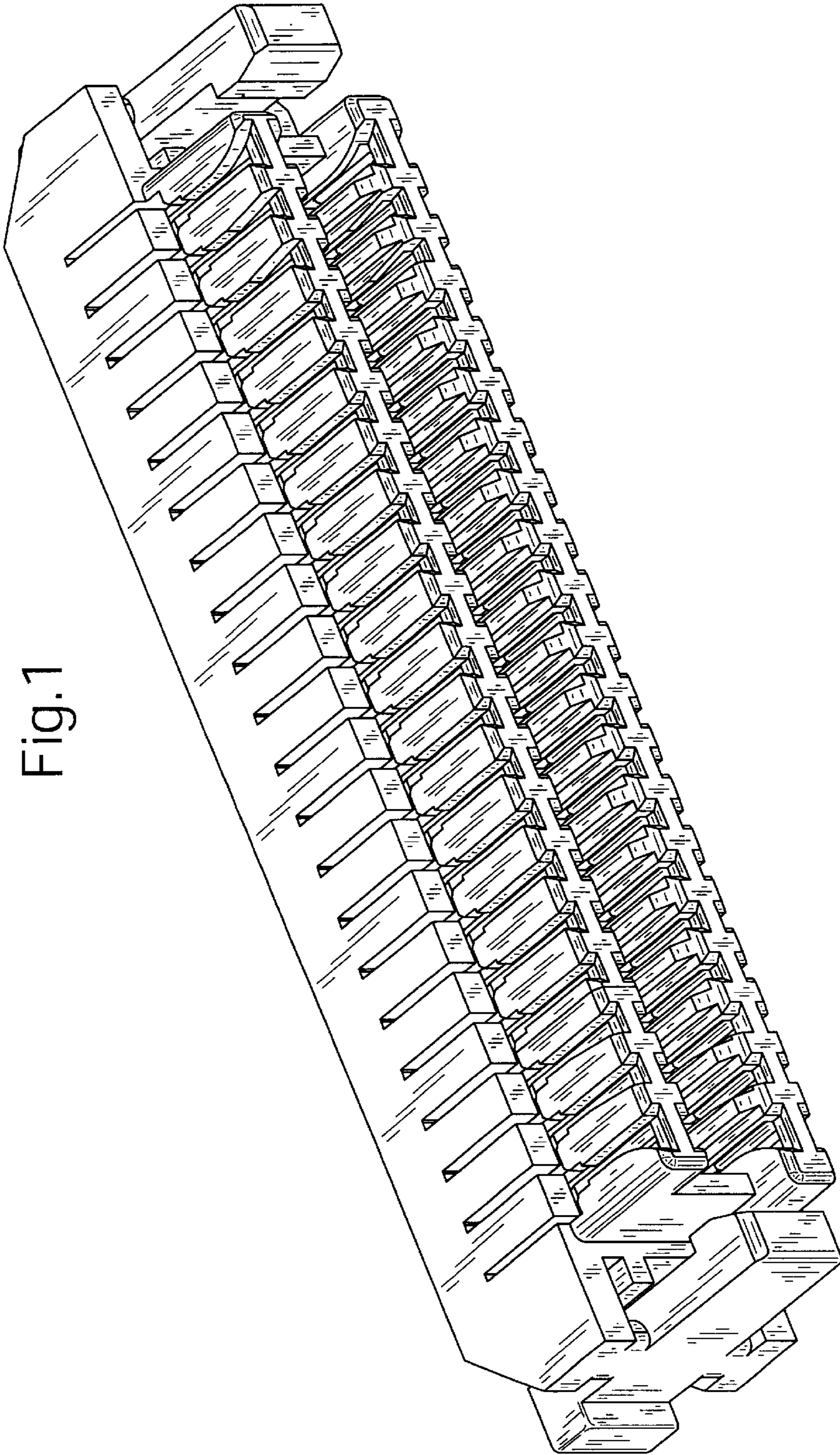


Fig.1

Fig. 2

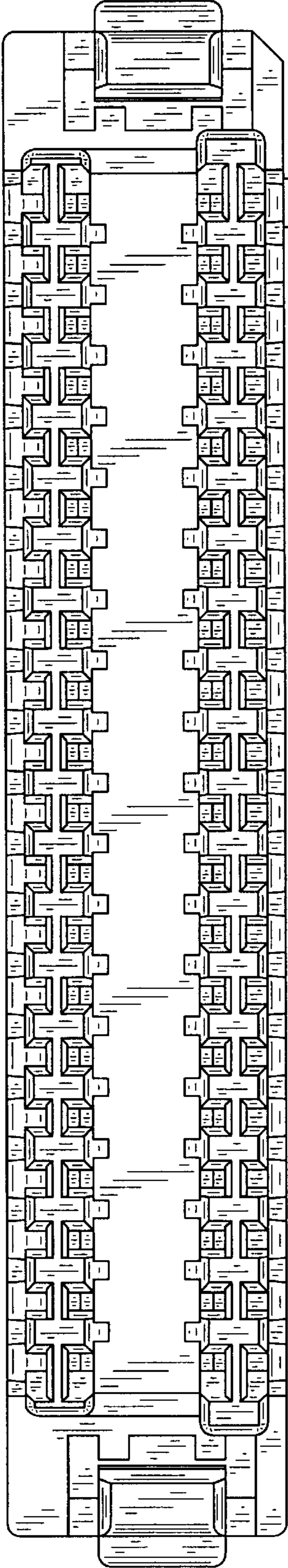


Fig. 3

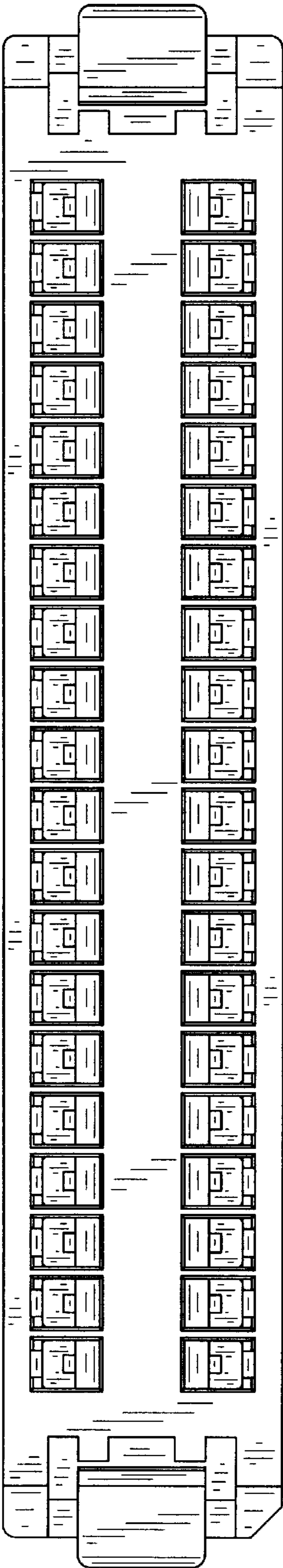


Fig.4

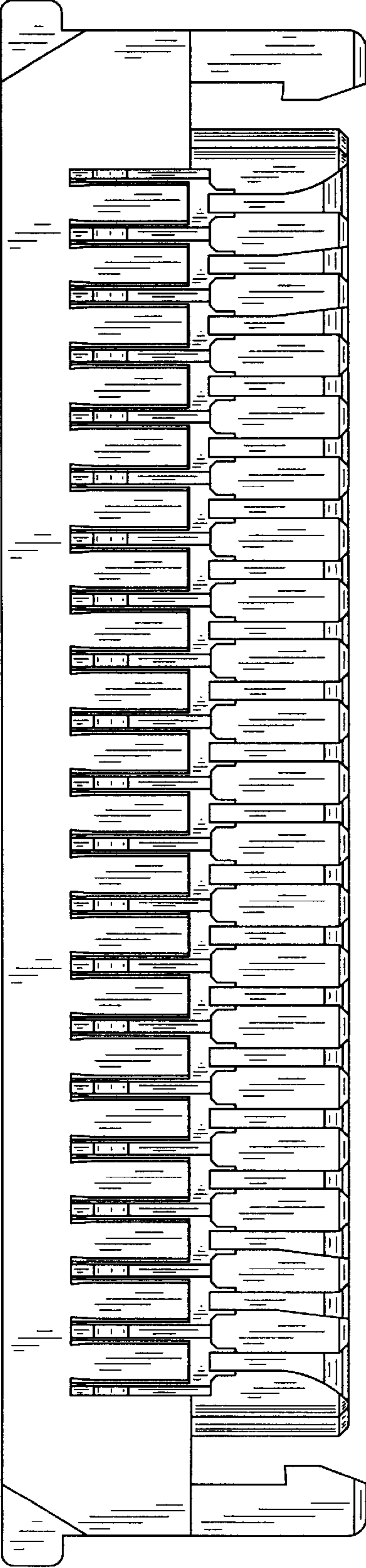


Fig.5

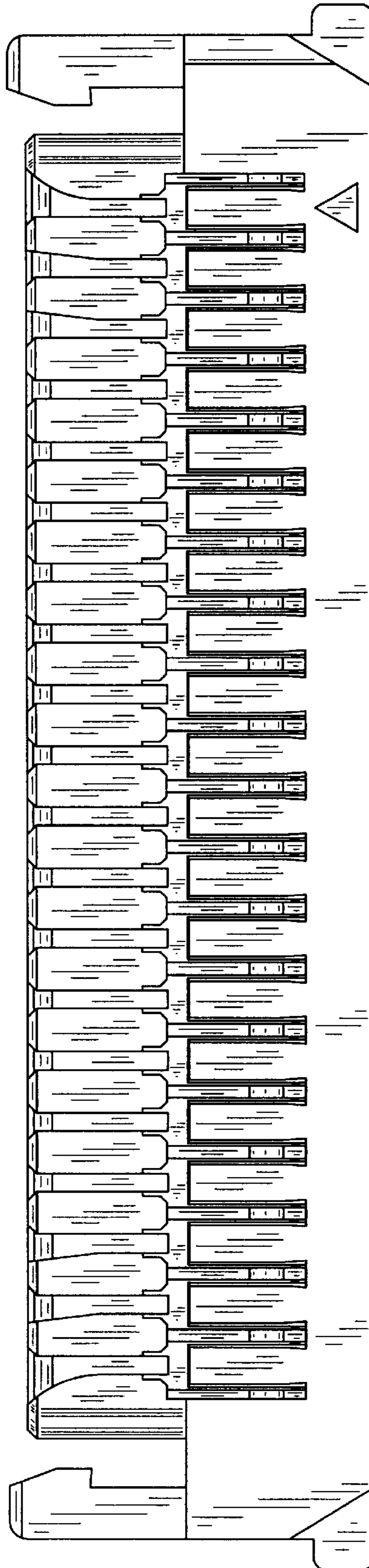


Fig.6

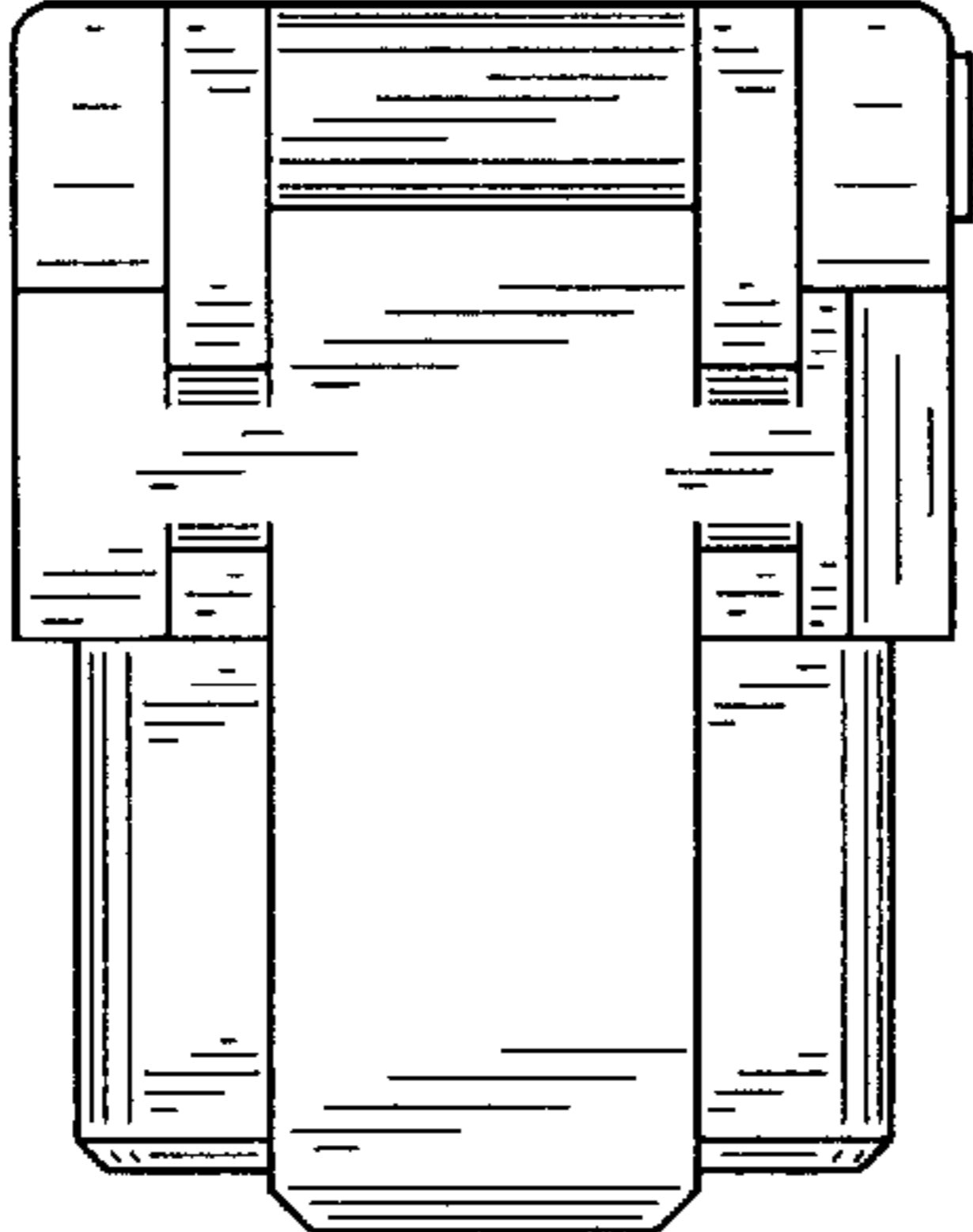


Fig.7

