



US00D511140S

(12) **United States Design Patent**
Blake, Jr. et al.

(10) **Patent No.: US D511,140 S**

(45) **Date of Patent: ** Nov. 1, 2005**

(54) **POWER SURGE PROTECTOR**

(75) Inventors: **Arthur Joseph Blake, Jr.**, Leominster,
MA (US); **Jason Allen Morris**,
Melrose, MA (US)

(73) Assignee: **American Power Conversion**, West
Kingston, RI (US)

(**) Term: **14 Years**

(21) Appl. No.: **29/193,154**

(22) Filed: **Nov. 3, 2003**

(51) **LOC (8) Cl.** **13-03**

(52) **U.S. Cl.** **D13/139.8**

(58) **Field of Search** D13/137.1-139.8,
D13/124, 160, 162, 164, 178; 361/118,
119; 439/106-108, 188, 535, 650-654

(56) **References Cited**

U.S. PATENT DOCUMENTS

- D285,435 S * 9/1986 Hoehne D13/139.8
- D327,873 S * 7/1992 Luu D13/139.8
- 5,350,310 A * 9/1994 Chen 439/188
- D400,504 S * 11/1998 Stekelenburg D13/139.6
- D400,505 S * 11/1998 Yu D13/139.6
- D402,963 S * 12/1998 Parshad D13/139.6

- D439,562 S * 3/2001 Veino et al. D13/139.8
- D445,403 S * 7/2001 Veino et al. D13/154
- D489,685 S * 5/2004 Yu D13/139.8

* cited by examiner

Primary Examiner—Pamela Burgess

Assistant Examiner—Rosemary Tarcza

(74) *Attorney, Agent, or Firm*—Mintz, Levin, Cohn, Ferris,
Glovsky and Popeo, P.C.

(57) **CLAIM**

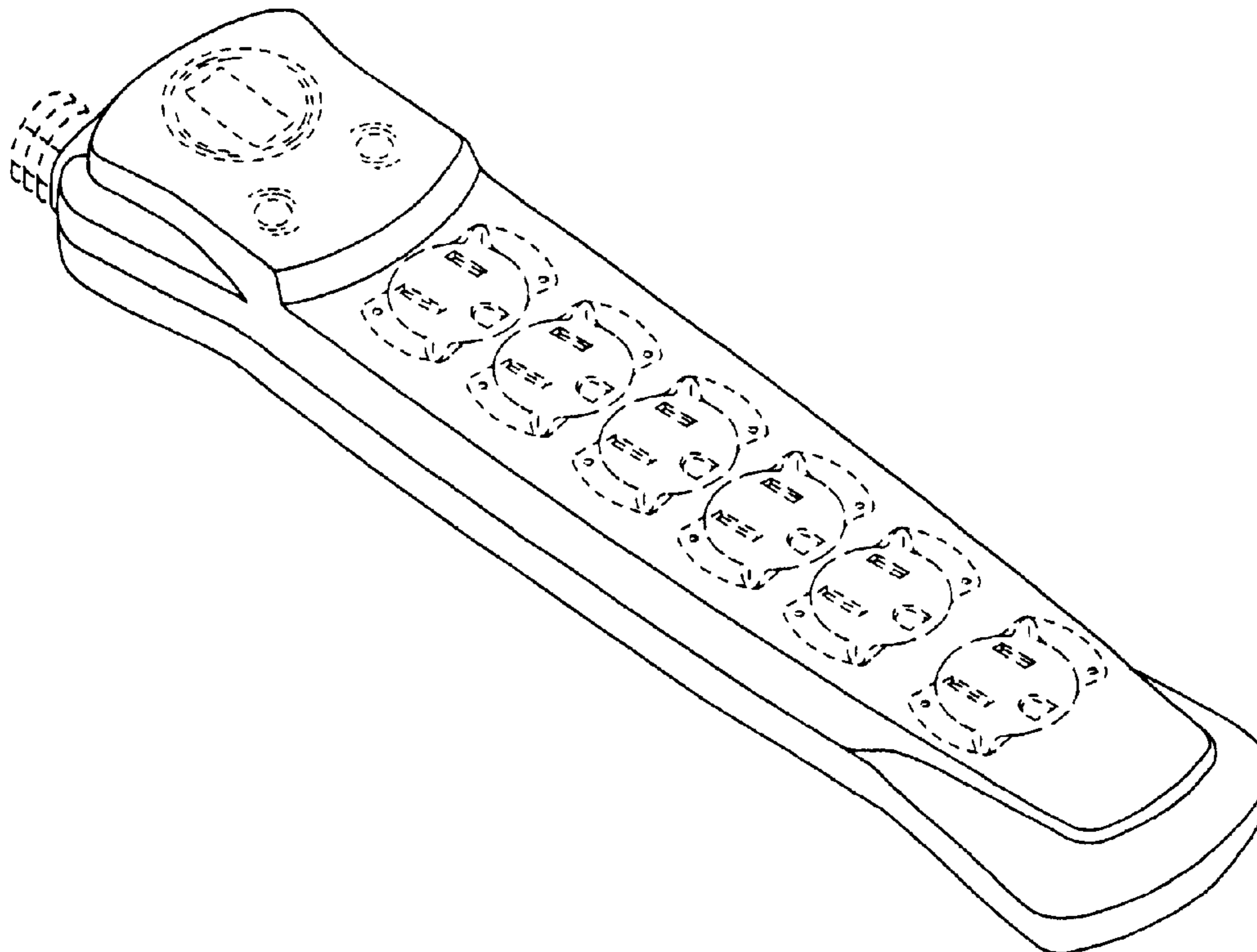
The ornamental design for a power surge protector, as shown
and described.

DESCRIPTION

FIG. 1 is a perspective view of an aspect of our new design;
FIG. 2 is a front view thereof;
FIG. 3 is back view thereof;
FIG. 4 is a left side view thereof;
FIG. 5 is a right side view thereof;
FIG. 6 is a first end view thereof; and
FIG. 7 is a second end view thereof.

The ornamental design that is claimed is shown in solid lines
in the drawings. The broken lines in the drawings are for
illustrative purposes only and form no part of the claimed
design.

1 Claim, 5 Drawing Sheets



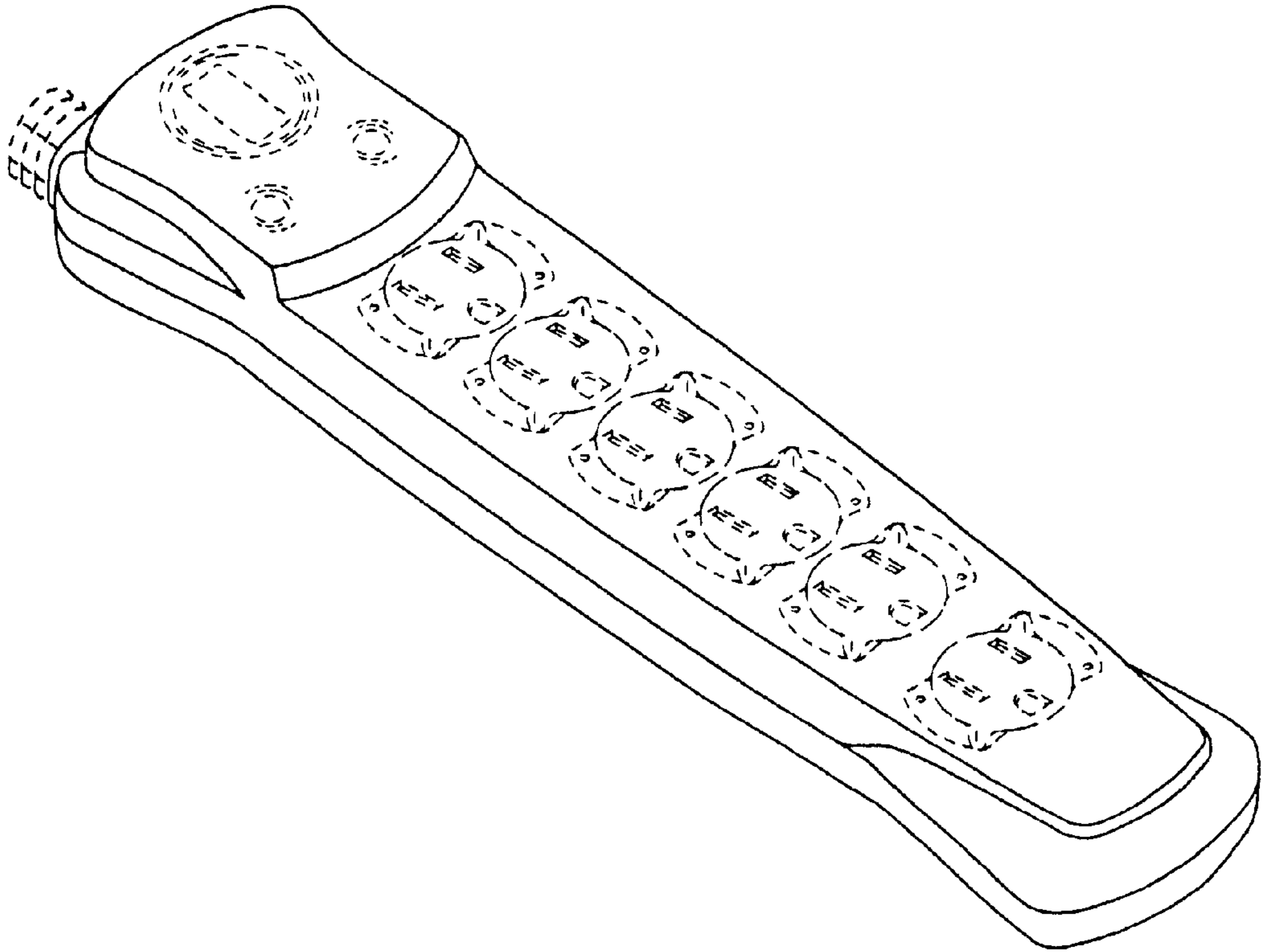


Fig. 1

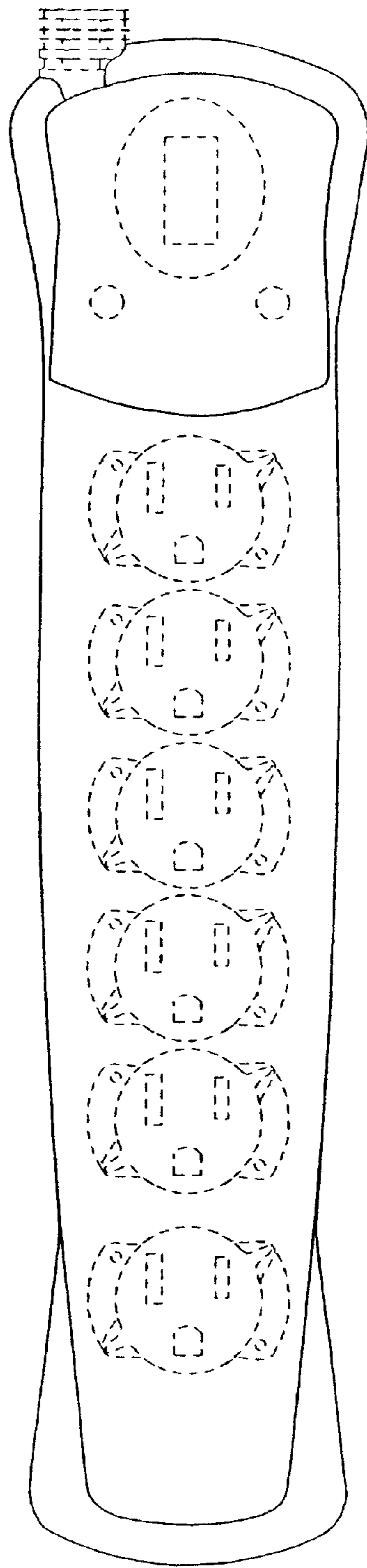


Fig. 2

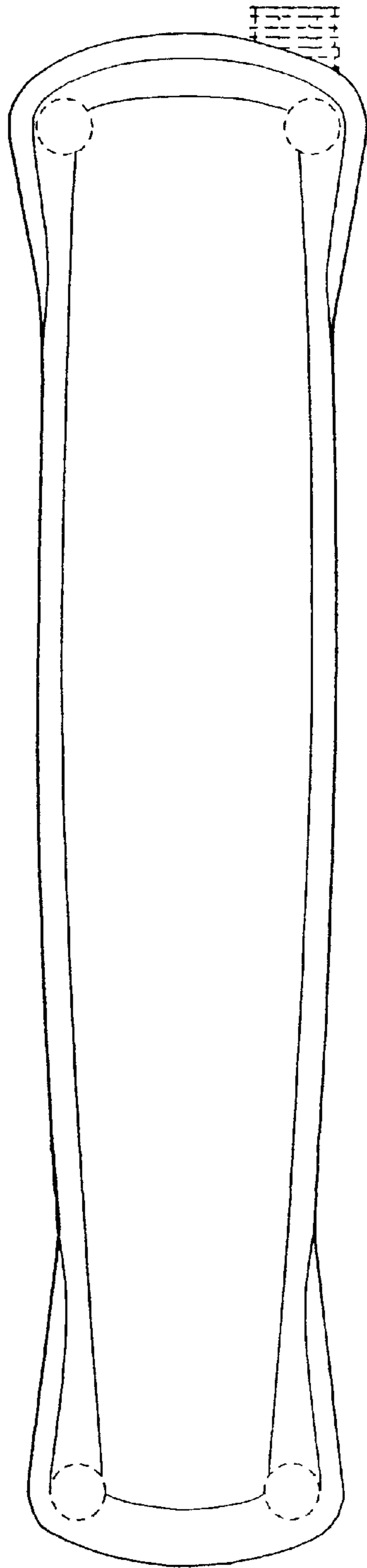


Fig. 3

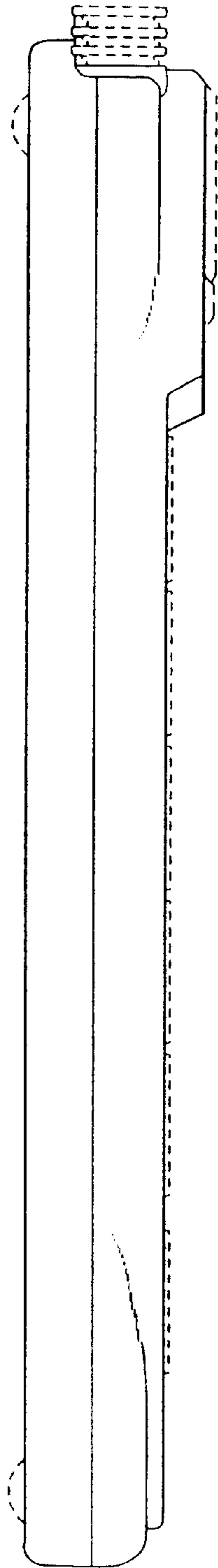


Fig. 4

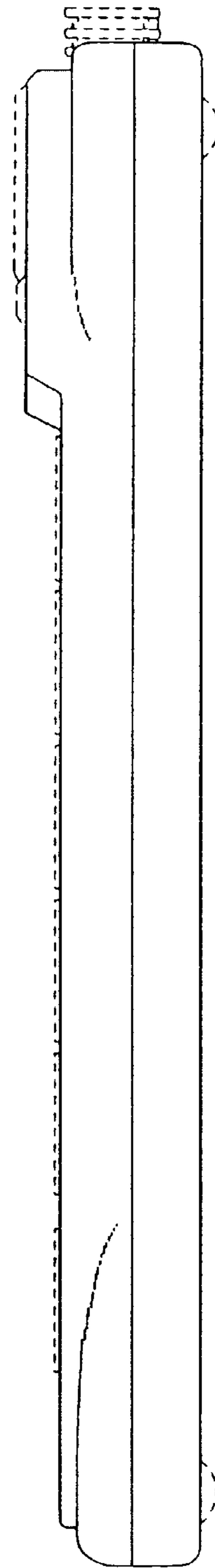


Fig. 5

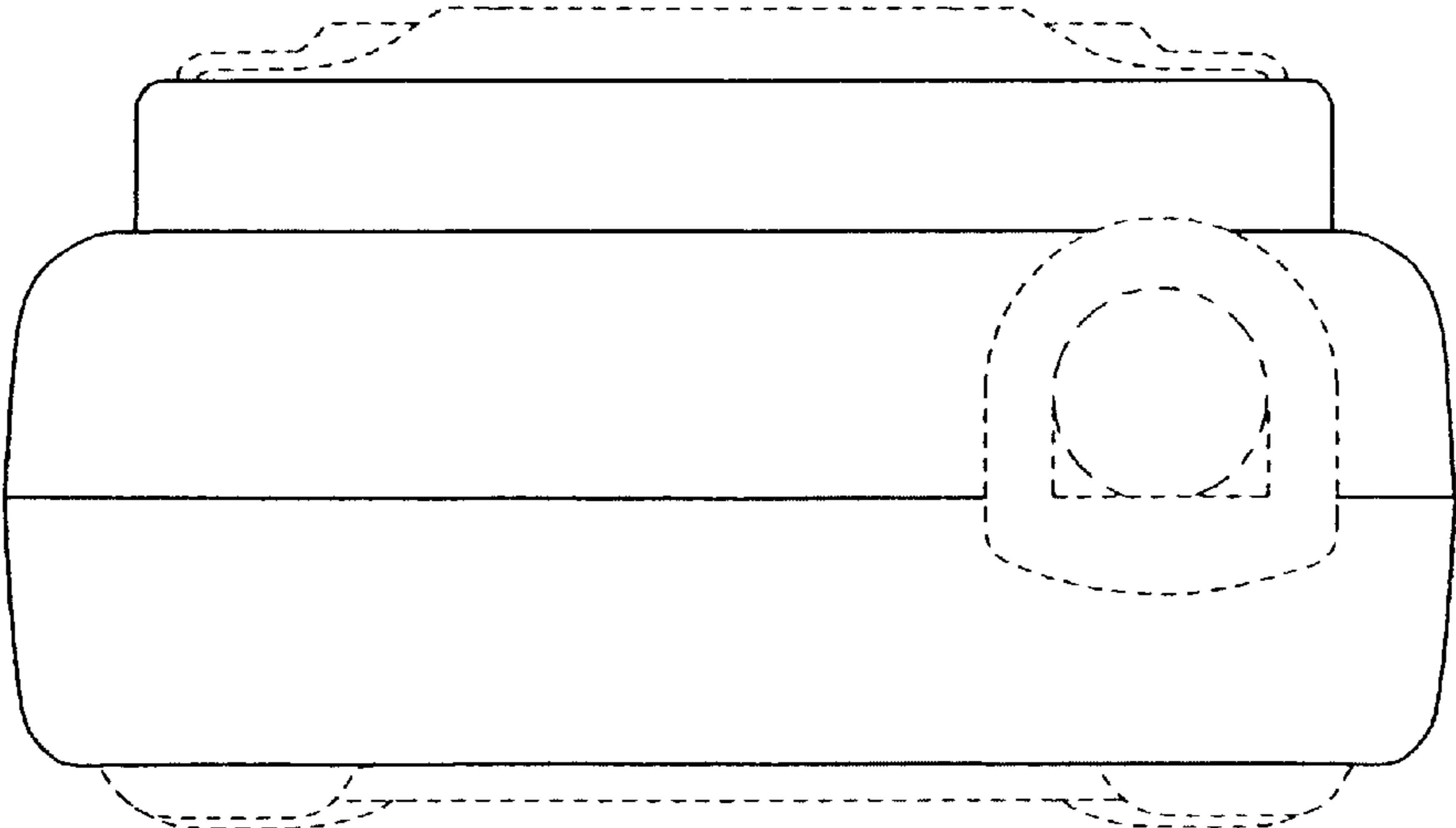


Fig. 6

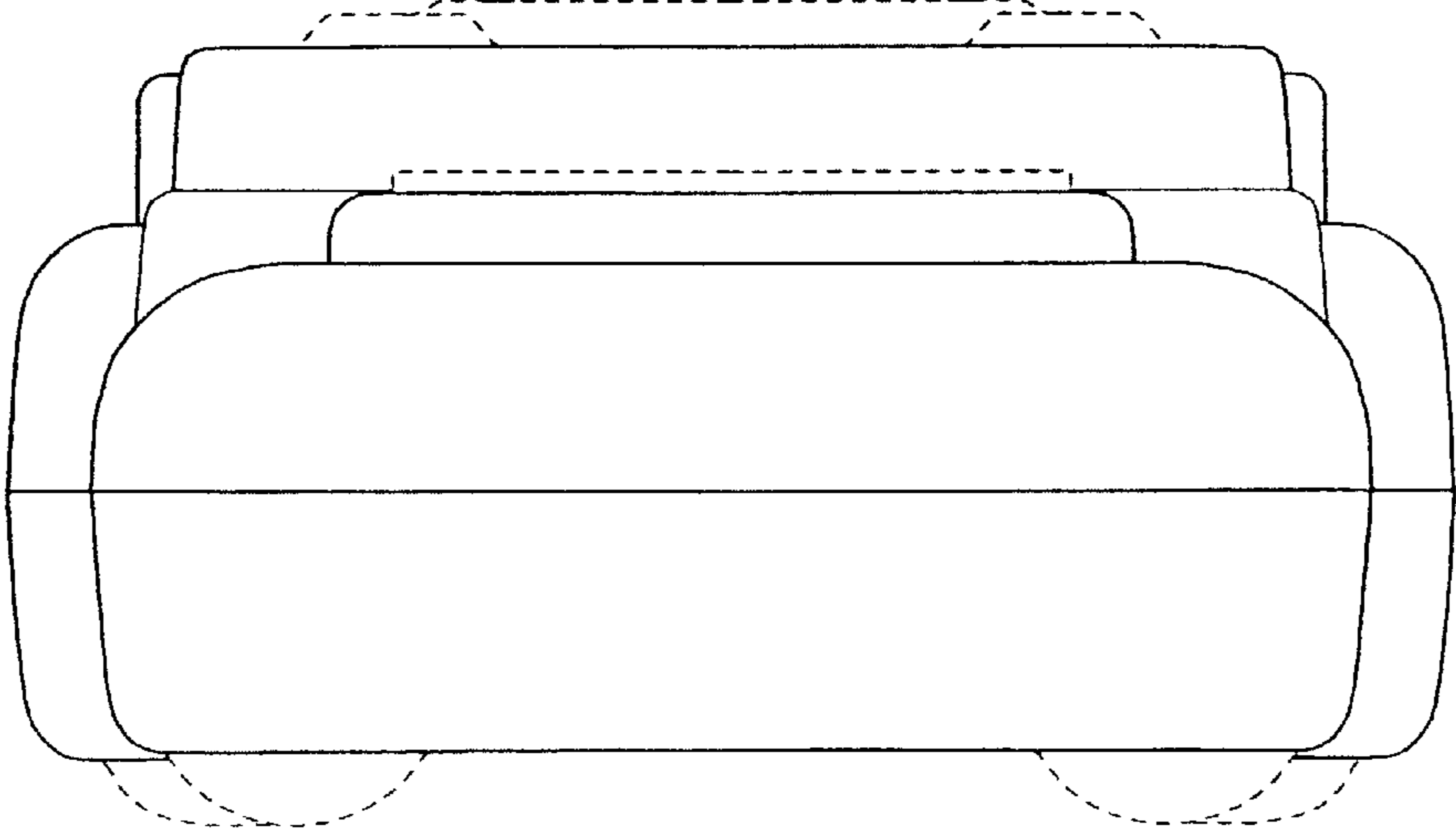


Fig. 7