



US00D511137S

(12) **United States Design Patent**
Tuomola et al.

(10) **Patent No.:** **US D511,137 S**
(45) **Date of Patent:** **** Nov. 1, 2005**

(54) **CASING FOR AN ELECTRONIC UNIT**

(75) Inventors: **Juha Tuomola**, Helsinki (FI); **Esa Hautakorpi**, Helsinki (FI)

(73) Assignee: **ABB Oy**, Helsinki (FI)

(**) Term: **14 Years**

(21) Appl. No.: **29/196,436**

(22) Filed: **Dec. 31, 2003**

(30) **Foreign Application Priority Data**

Jul. 4, 2003 (FI) M20030183

(51) **LOC (8) Cl.** **13-02**

(52) **U.S. Cl.** **D13/110**

(58) **Field of Search** D13/110, 122-123,
D13/162, 164, 184, 199; 307/64, 150-151;
361/692, 707, 715, 727-728, 679

(56) **References Cited**

U.S. PATENT DOCUMENTS

D327,050 S	*	6/1992	Zirinsky	D13/110
D328,058 S	*	7/1992	Suzuki et al.	D13/110
D330,701 S	*	11/1992	Suzuki et al.	D13/162
D374,861 S	*	10/1996	Mousa	D13/110
D376,347 S	*	12/1996	Mousa	D13/110

D426,810 S	*	6/2000	Wei	D13/110
D450,295 S	*	11/2001	Okayama et al.	D13/110
D450,305 S	*	11/2001	Masuzoe et al.	D13/168
D458,906 S	*	6/2002	Kim	D13/164
D480,359 S	*	10/2003	Yamada et al.	D13/114

* cited by examiner

Primary Examiner—Stella Reid

Assistant Examiner—Daniel Bui

(74) *Attorney, Agent, or Firm*—Birch, Stewart, Kolasch & Birch, LLP

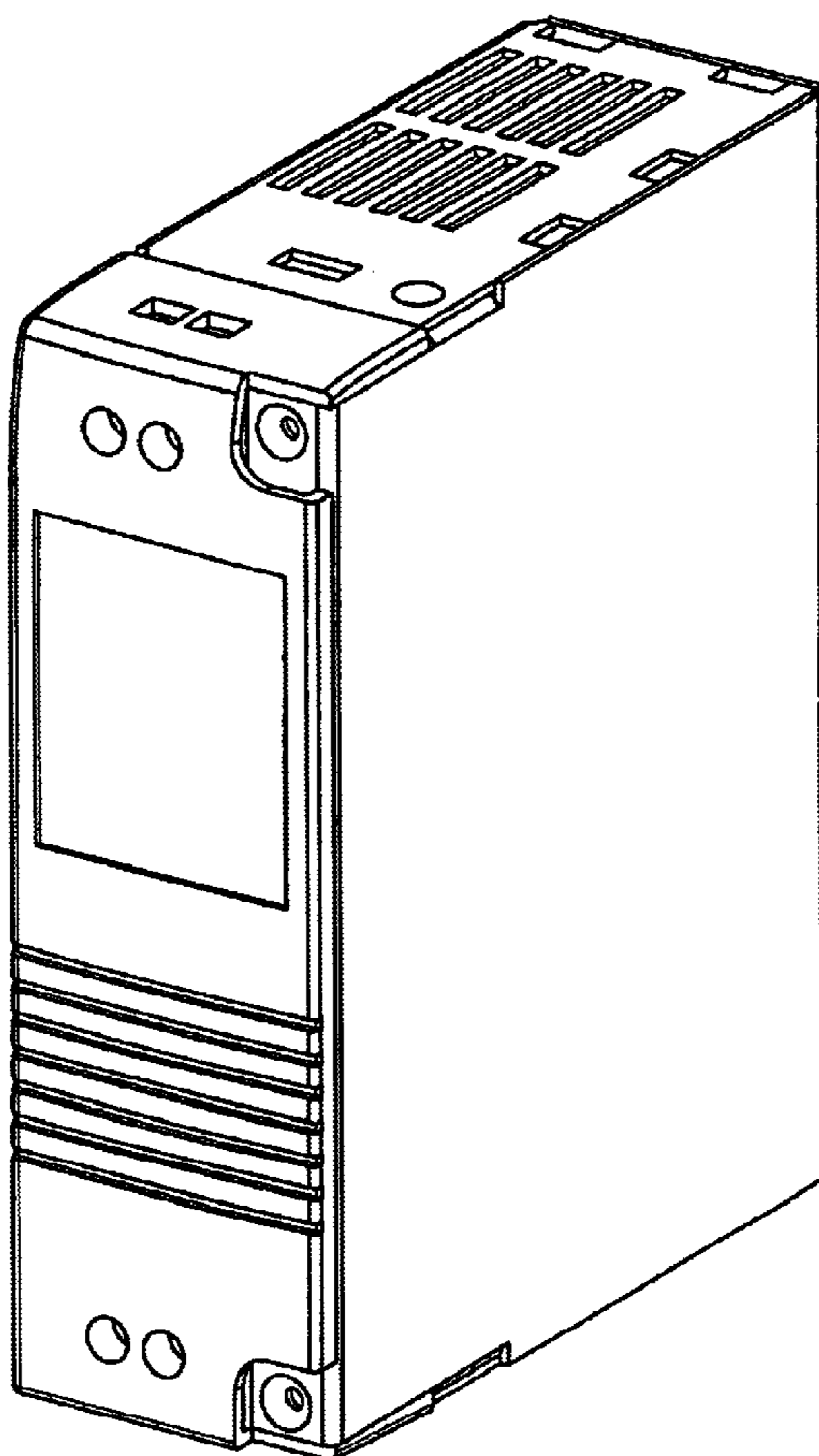
(57) **CLAIM**

The ornamental design for a casing for an electronic unit, as shown and described.

DESCRIPTION

FIG. 1 is a front, right, top perspective view of a casing for an electronic unit showing our new design;
FIG. 2 is a back, left, bottom perspective view thereof;
FIG. 3 is a top plan view thereof;
FIG. 4 is a bottom plan view thereof;
FIG. 5 is a left side view thereof;
FIG. 6 is a right side view thereof;
FIG. 7 is a front elevational view thereof; and,
FIG. 8 is a rear elevational view thereof.

1 Claim, 8 Drawing Sheets



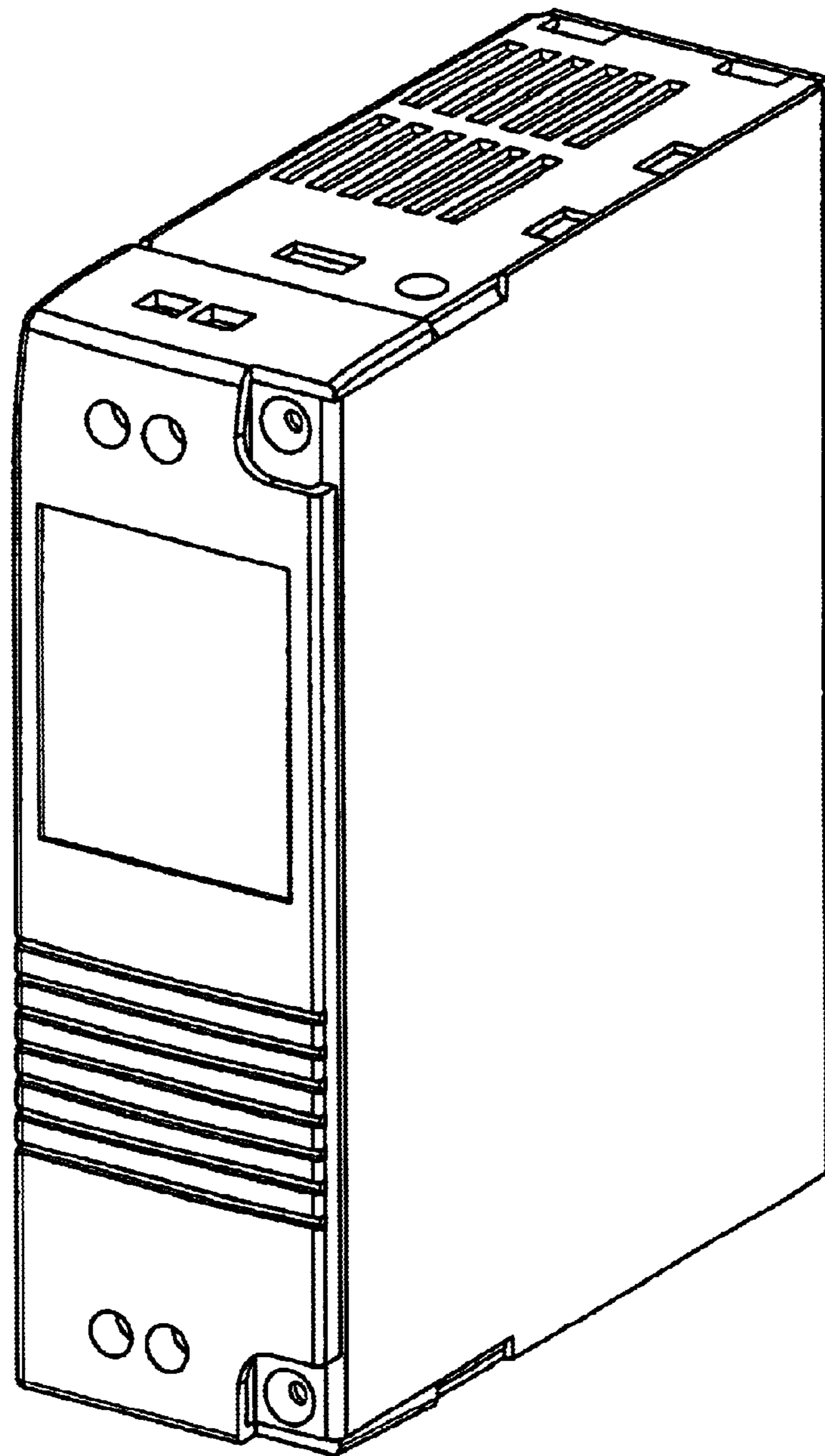


Fig. 1

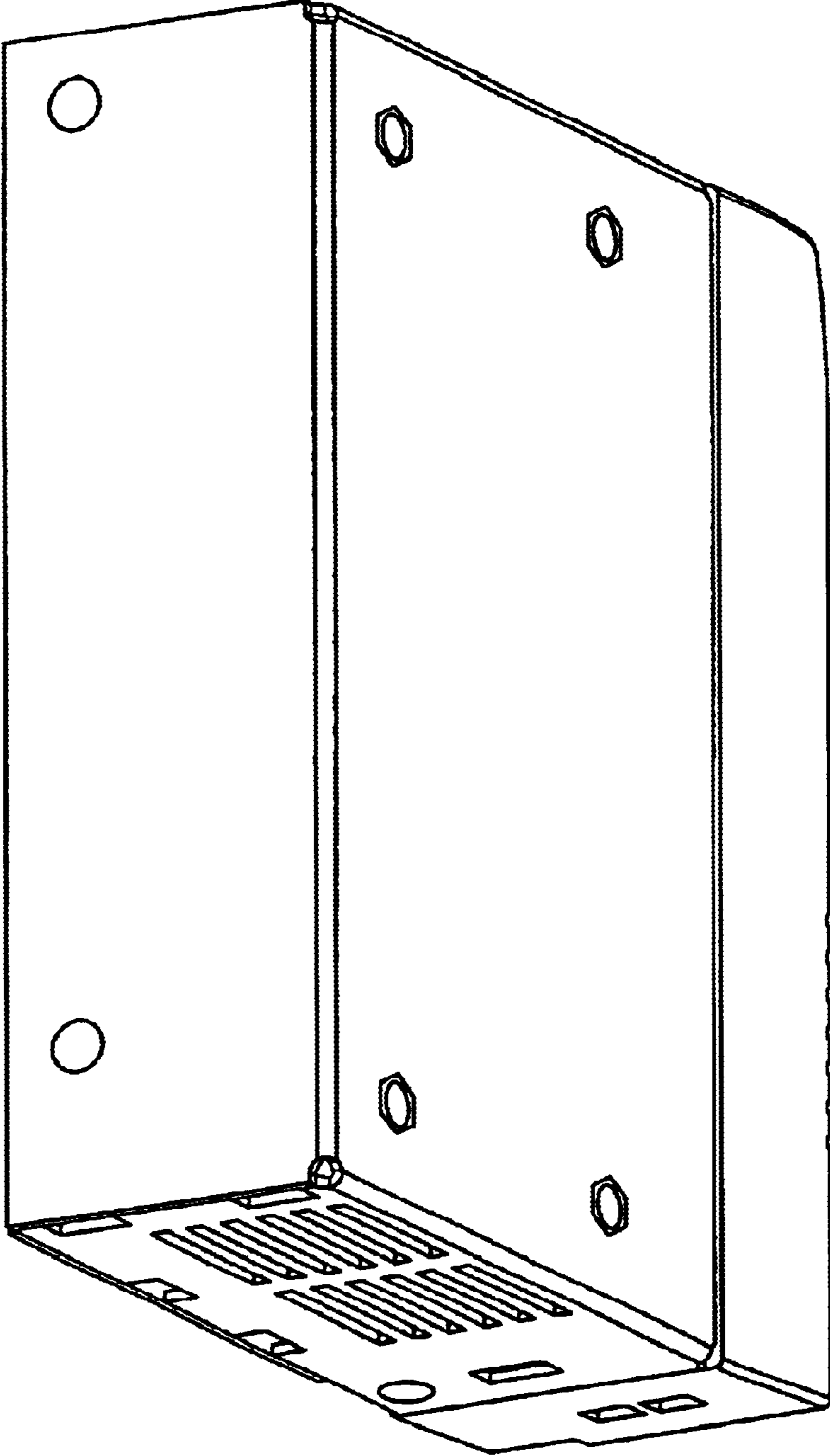


Fig. 2

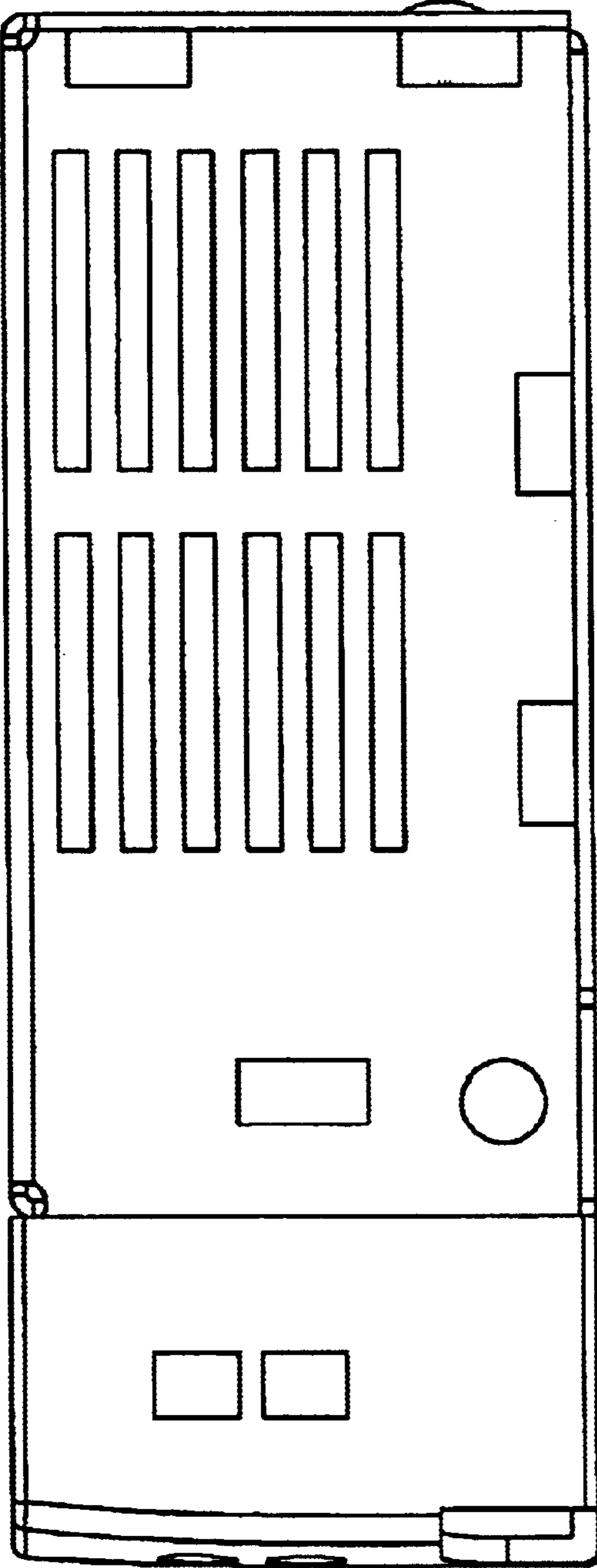


Fig. 3

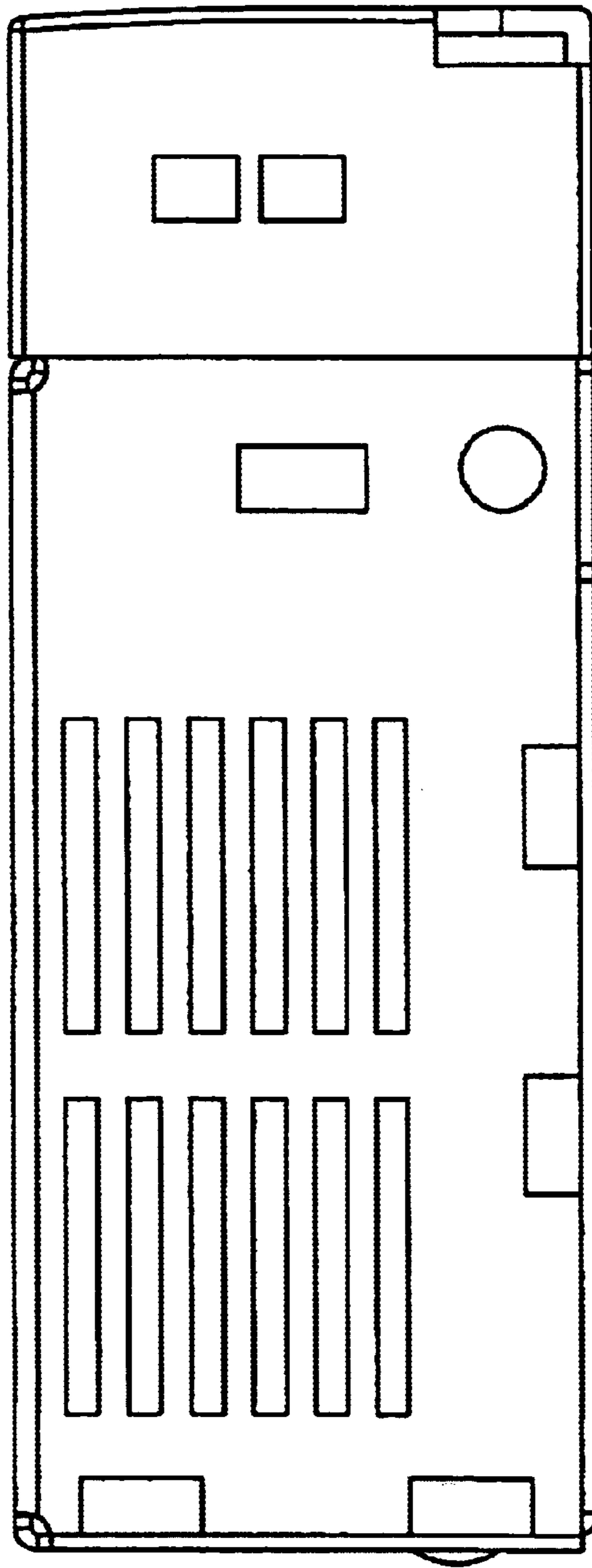


Fig. 4

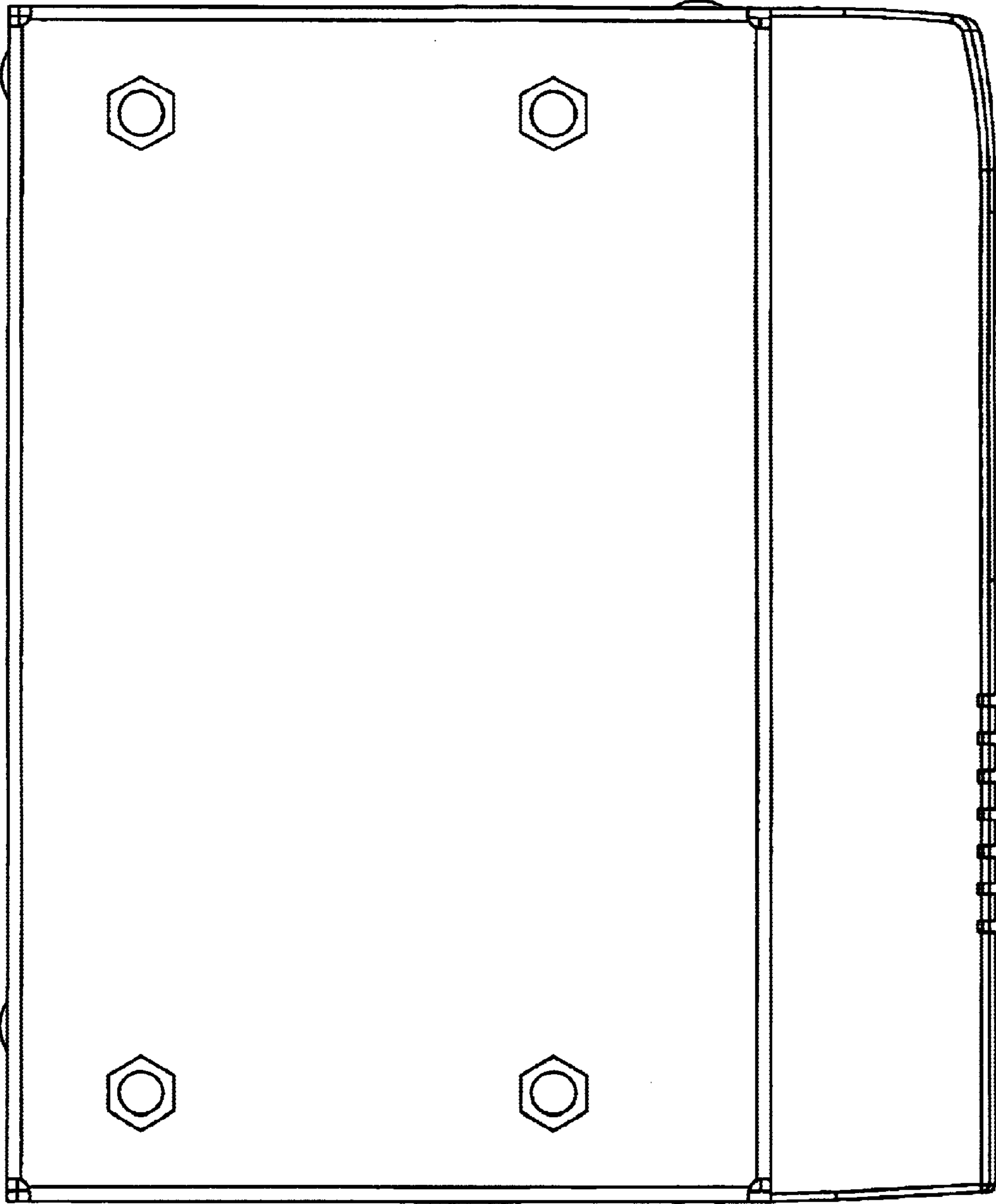


Fig. 5

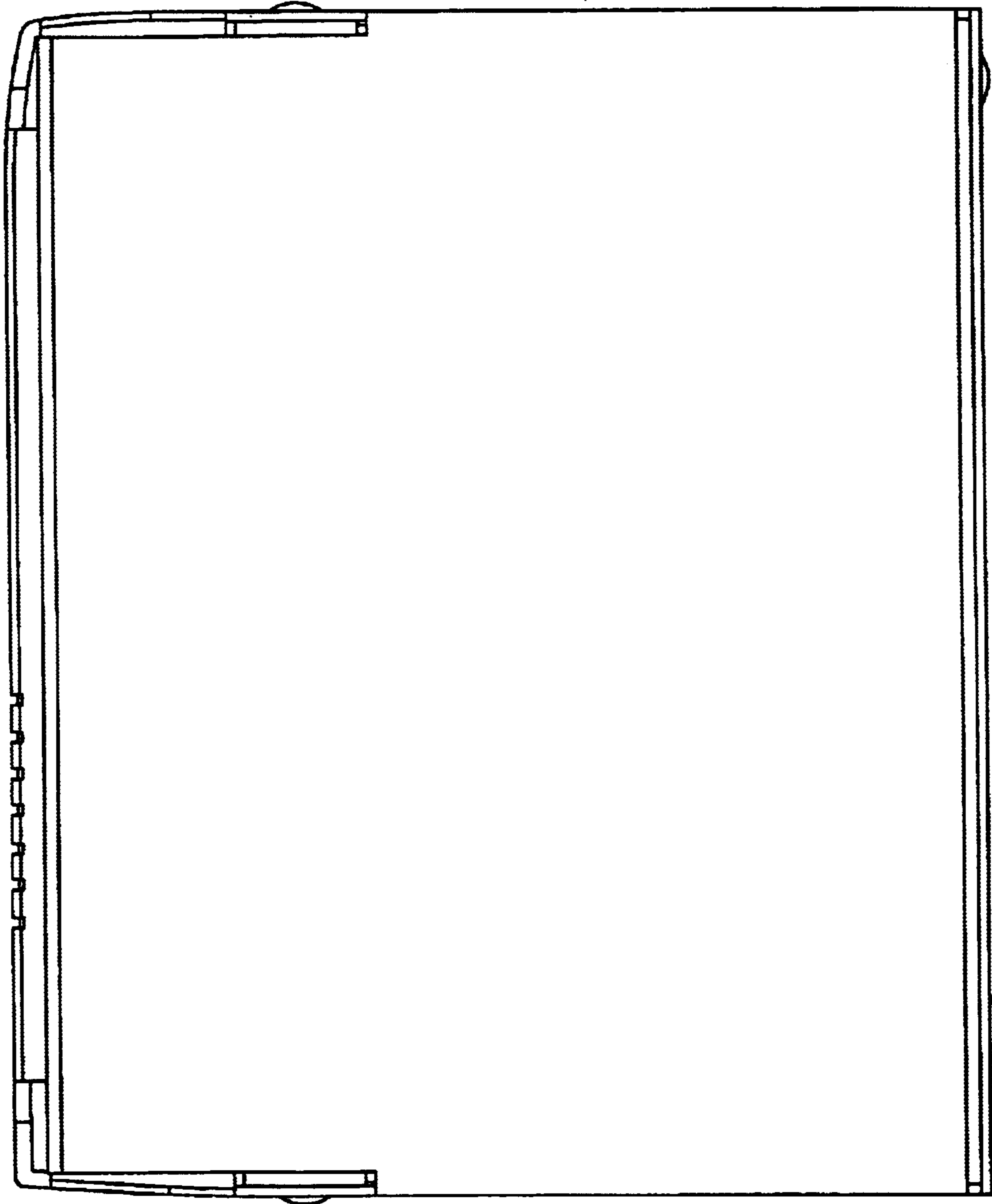


Fig. 6

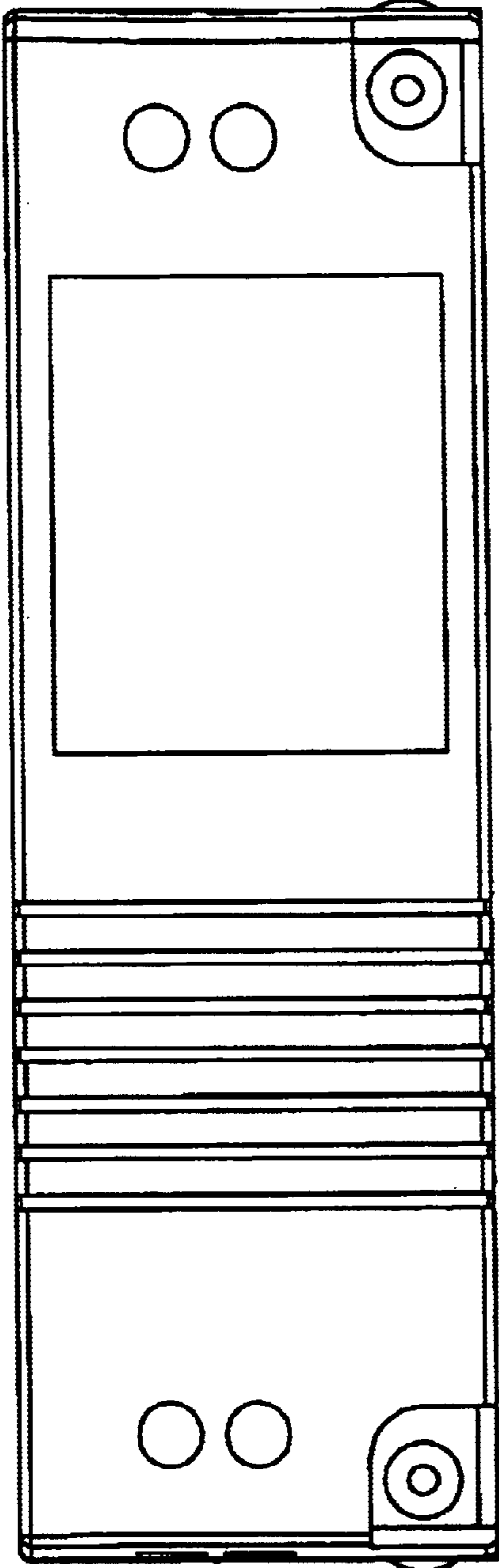


Fig. 7

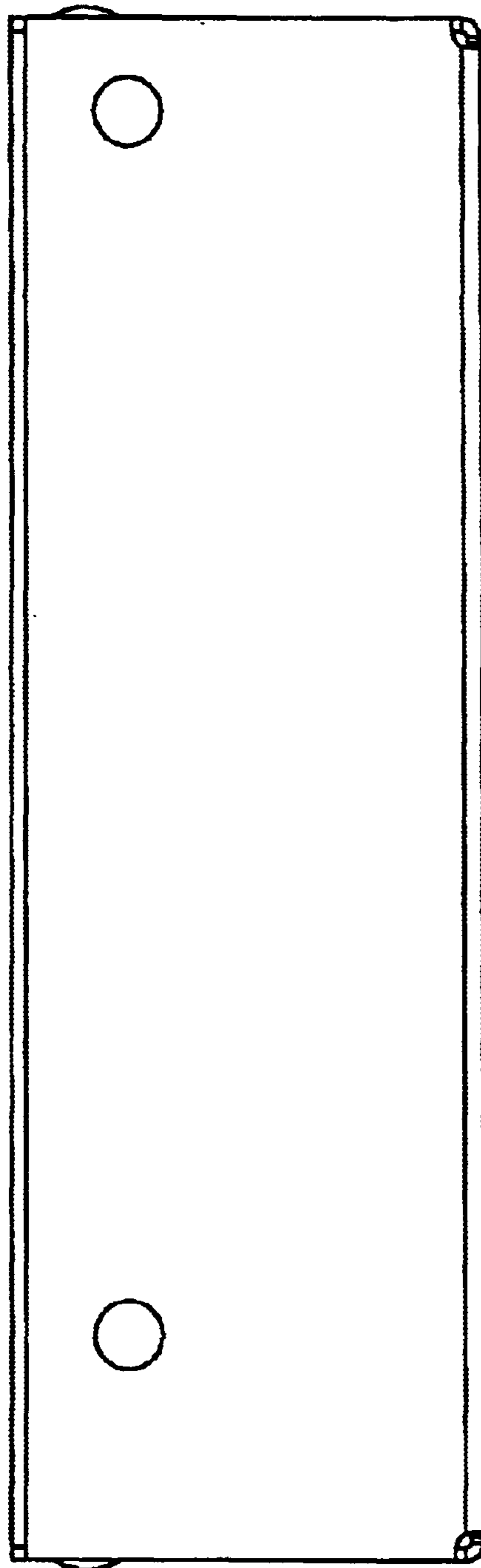


Fig. 8