



US00D511136S

(12) **United States Design Patent**  
**Hirschburger et al.**

(10) **Patent No.: US D511,136 S**

(45) **Date of Patent: \*\* Nov. 1, 2005**

(54) **PORTABLE BATTERY CHARGING AND AUDIO UNIT**

(75) Inventors: **Wolfgang Hirschburger**, Reutlingen (DE); **Randall Coe**, Chicago, IL (US); **Steven W. Cole, Jr.**, Chicago, IL (US); **Wing Hoi Ng**, Hong Kong (CN)

(73) Assignee: **Credo Technology Corporation**, Broadview, IL (US)

(\*\*) Term: **14 Years**

(21) Appl. No.: **29/197,588**

(22) Filed: **Jan. 16, 2004**

(51) **LOC (8) Cl. .... 13-02**

(52) **U.S. Cl. .... D13/107**

(58) **Field of Search** ..... D13/106–108, D13/110; D14/188–189, 194–198, 204, 210, 251, 253; 320/105, 107–116; 455/347–351

(56) **References Cited**

**U.S. PATENT DOCUMENTS**

D349,116 S	*	7/1994	Peersmann	.....	D14/189
5,979,175 A	*	11/1999	Ellison	.....	62/457.7
D418,836 S	*	1/2000	Matt et al.	.....	D14/196
6,427,070 B1	*	7/2002	Smith	.....	455/343.6
D474,175 S	*	5/2003	Furusho et al.	.....	D14/217
D474,176 S	*	5/2003	Furusho et al.	.....	D14/217

D474,177 S	*	5/2003	Furusho et al.	.....	D14/217
D479,223 S	*	9/2003	Furusho et al.	.....	D14/196
D487,059 S	*	2/2004	Glasgow et al.	.....	D13/107
D499,612 S	*	12/2004	Smith, Sr.	.....	D7/605
2003/0090234 A1	*	5/2003	Glasgow et al.	.....	320/107
2003/0117107 A1	*	6/2003	Zick et al.	.....	320/112

\* cited by examiner

*Primary Examiner*—Alan P. Douglas

*Assistant Examiner*—Rosemary Tarca

(74) *Attorney, Agent, or Firm*—Victor A. Henzi

(57) **CLAIM**

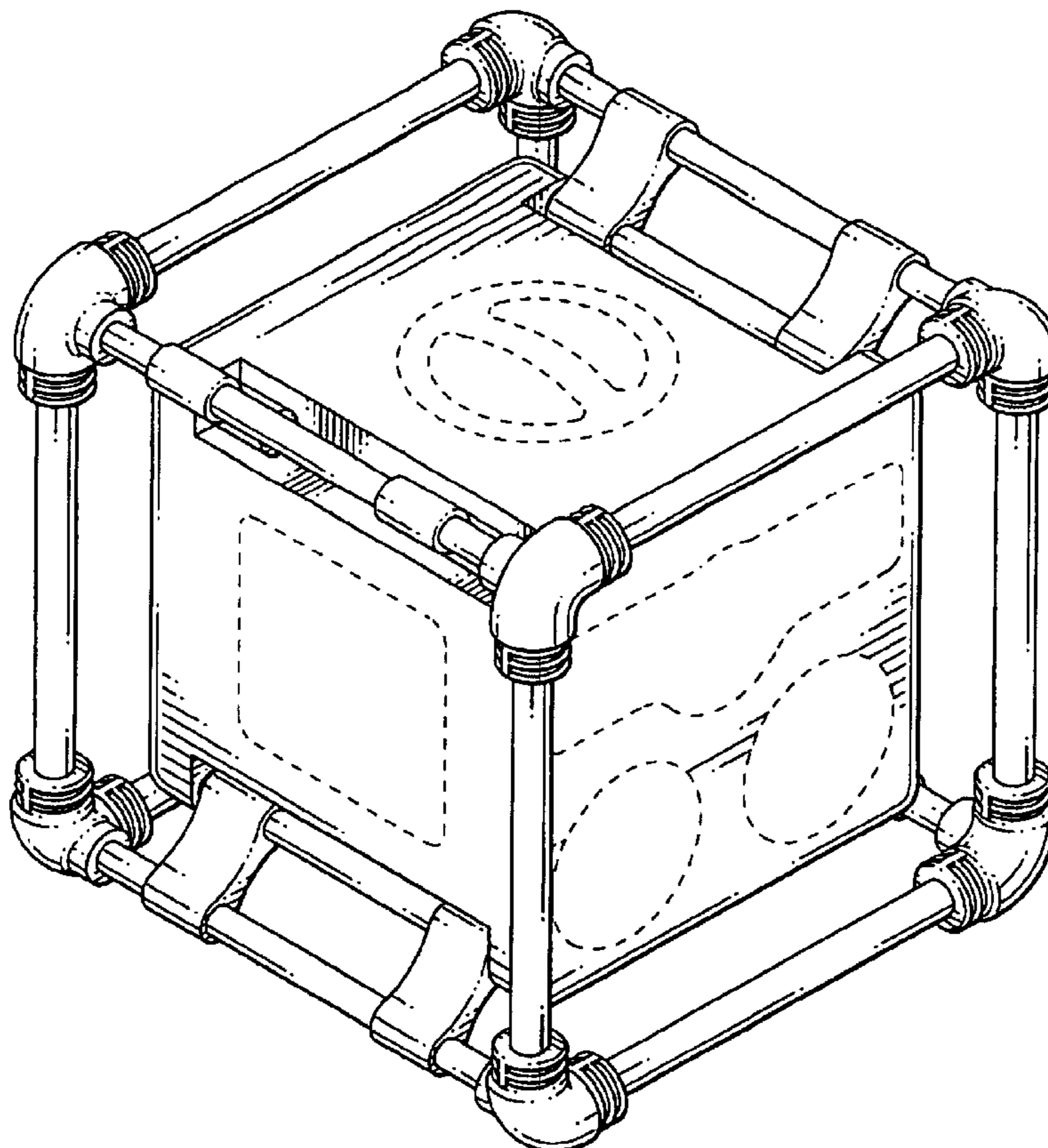
The ornamental design for a portable battery charging and audio unit, as shown and described.

**DESCRIPTION**

FIG. 1 is a front right perspective view of the present new design for a portable battery charging and audio unit; FIG. 2 is a front elevational view thereof, the rear elevational view being identical; FIG. 3 is a right elevational view thereof, the left elevational view being identical; and, FIG. 4 is a top plan view thereof, the bottom plan view being identical.

The broken lines showing various features of a portable battery charging and audio unit are for illustrative purposes only and form no part of the claimed design.

**1 Claim, 4 Drawing Sheets**



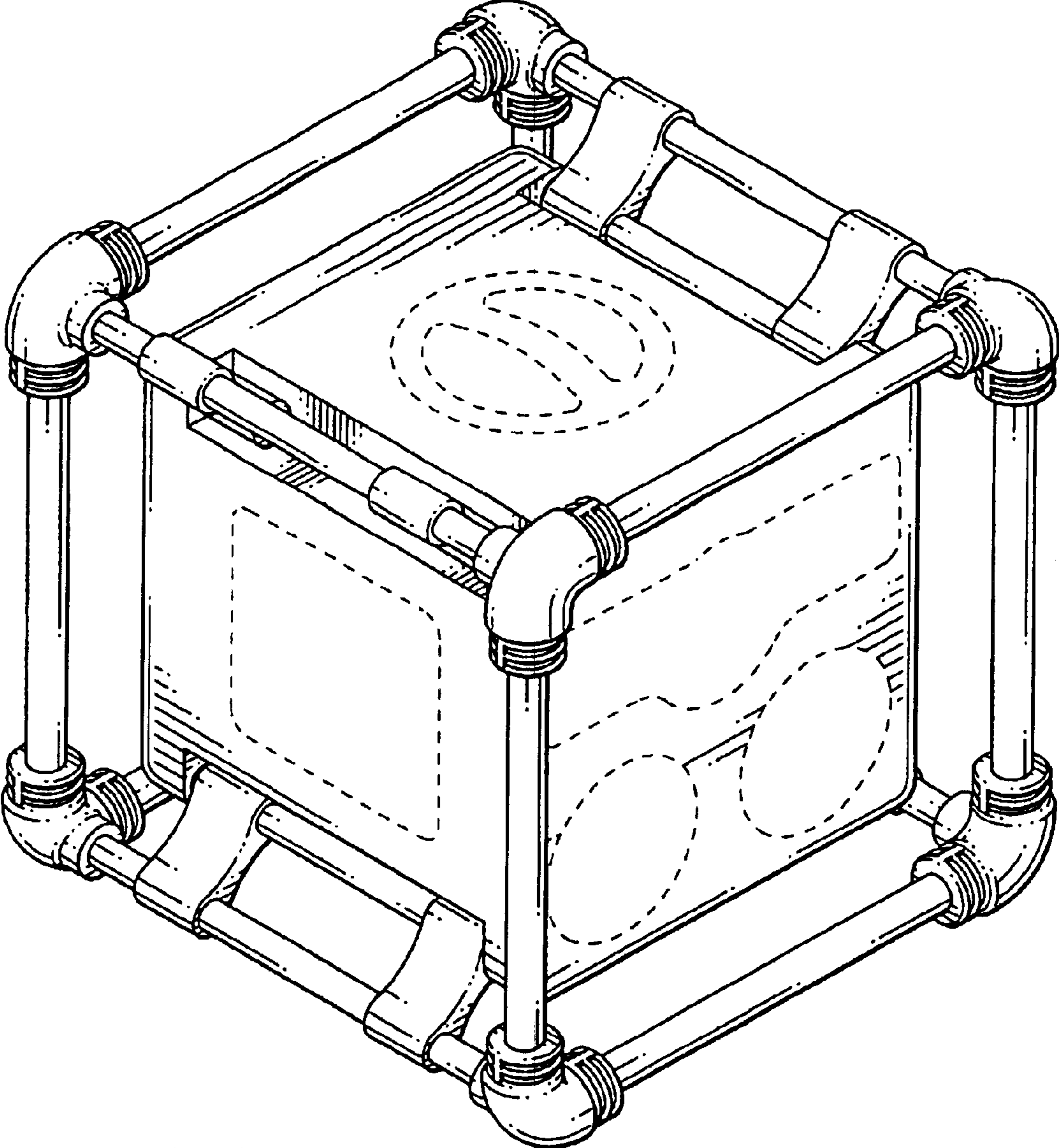


FIG. 1

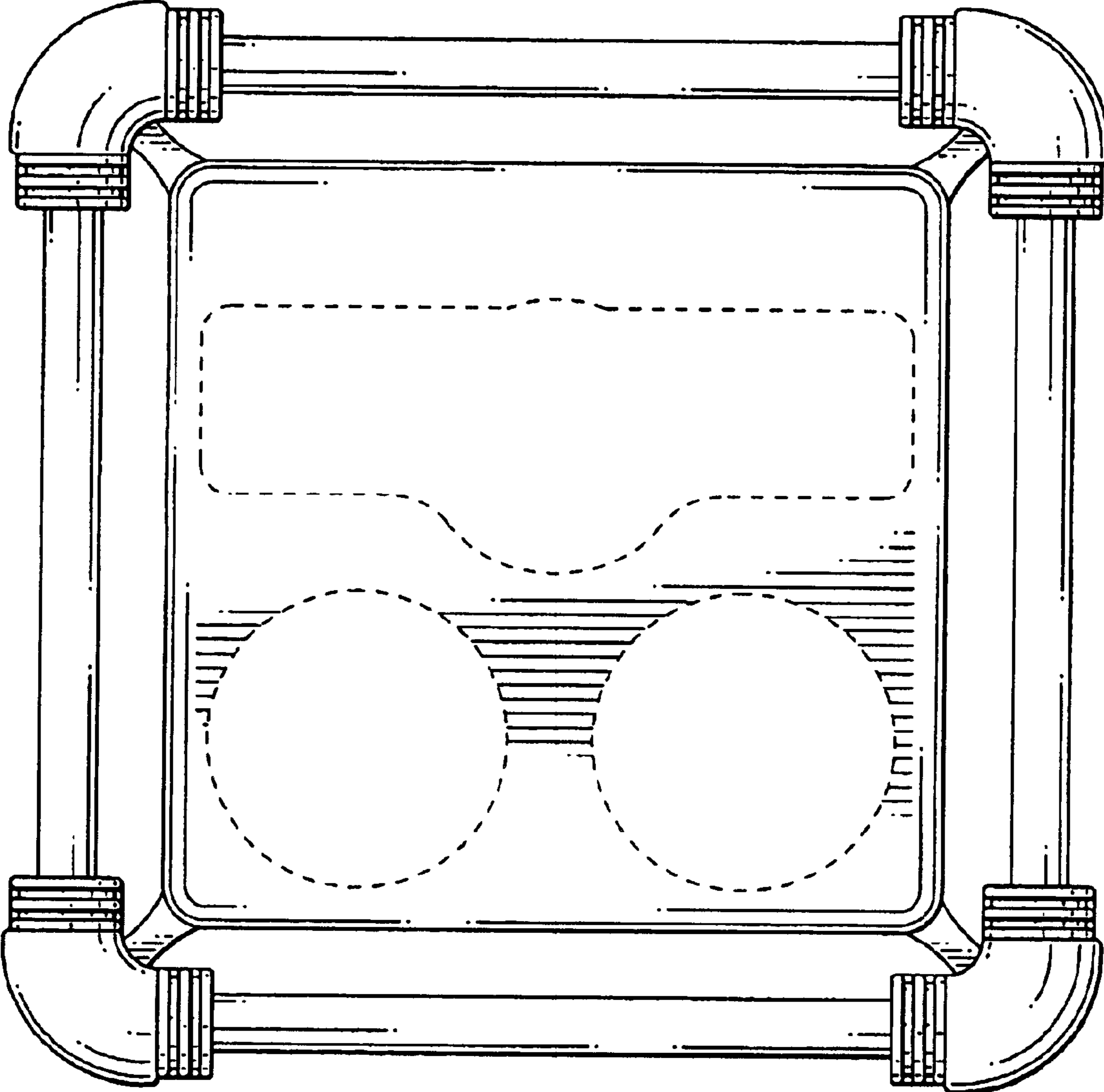


FIG. 2

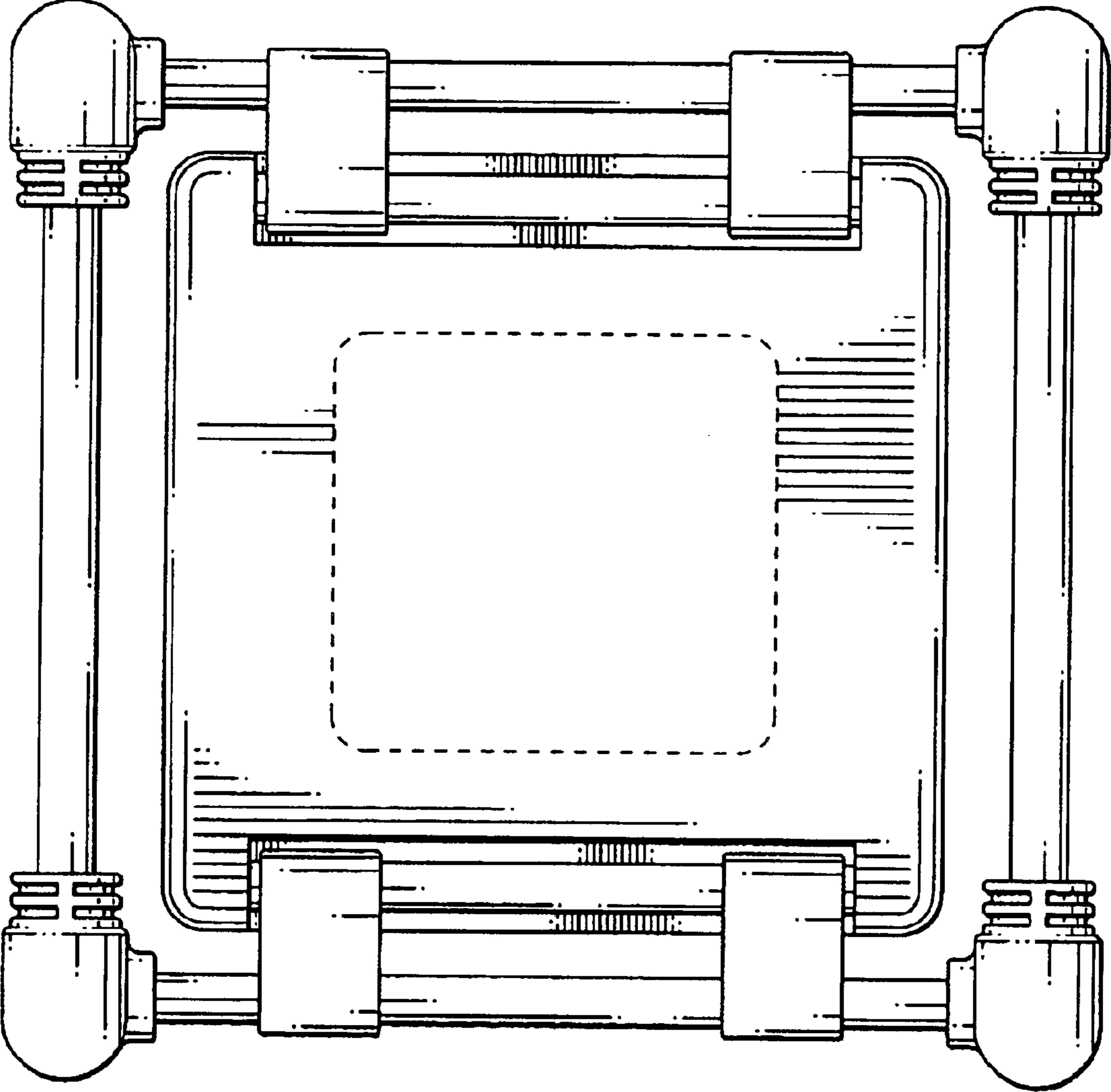


FIG. 3

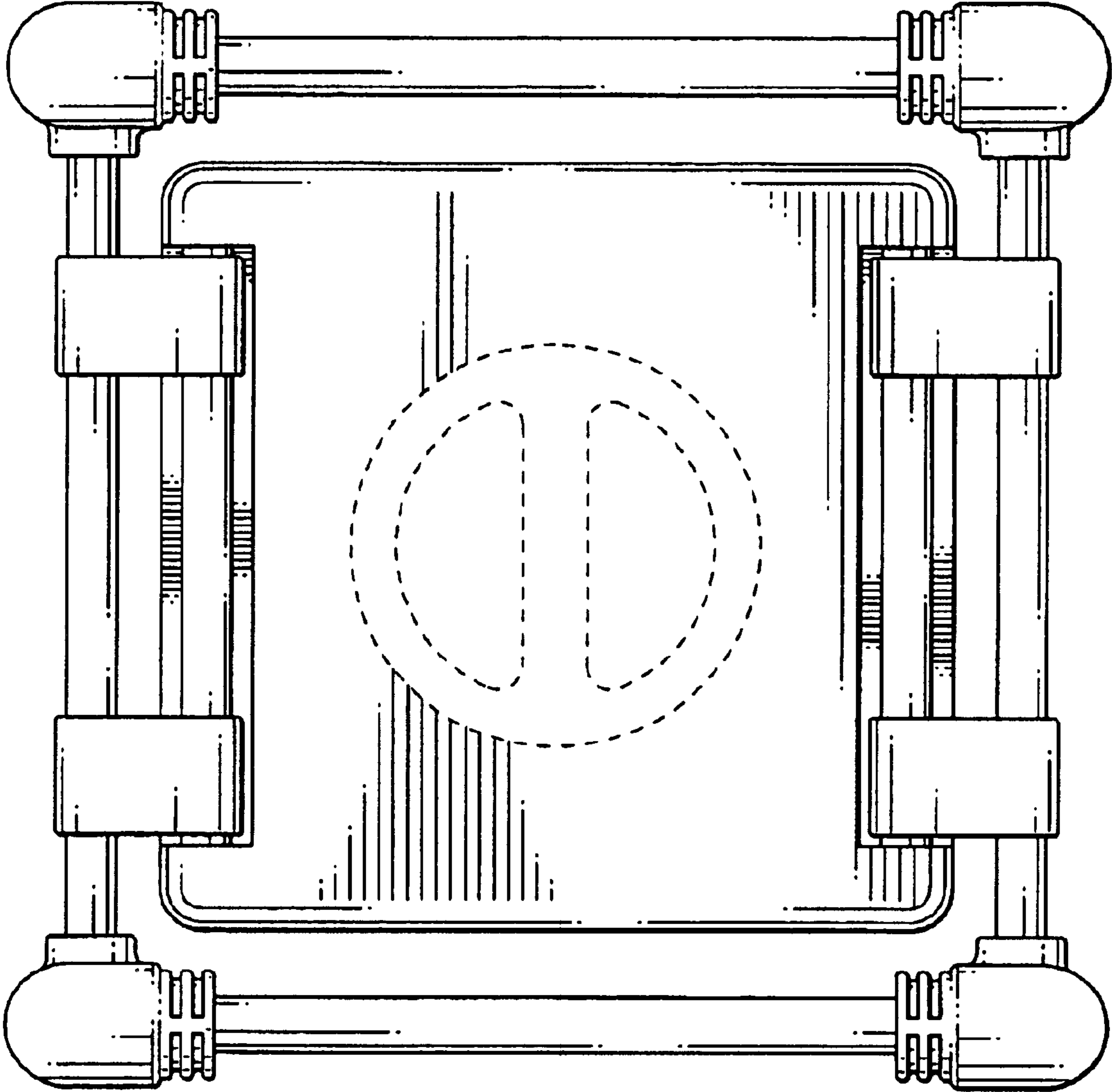


FIG. 4