



US00D511128S

(12) **United States Design Patent** (10) **Patent No.:** **US D511,128 S**  
**Nagashima** (45) **Date of Patent:** **\*\* Nov. 1, 2005**

(54) **SURFACE CONFIGURATION OF A SIDE DOOR FOR A VEHICLE**

(75) Inventor: **Joji Nagashima**, Munich (DE)

(73) Assignee: **Bayerische Motoren Werke Aktiengesellschaft**, Munich (DE)

(\*\*) Term: **14 Years**

(21) Appl. No.: **29/217,894**

(22) Filed: **Nov. 24, 2004**

(30) **Foreign Application Priority Data**

May 27, 2004 (DE) ..... 40403323

(51) **LOC (8) Cl.** ..... **12-16**

(52) **U.S. Cl.** ..... **D12/196**

(58) **Field of Search** ..... D12/196, 86, 90-92;  
296/185

(56) **References Cited**

**U.S. PATENT DOCUMENTS**

|            |   |         |              |       |         |
|------------|---|---------|--------------|-------|---------|
| D420,964 S | * | 2/2000  | Sacco et al. | ..... | D12/196 |
| D442,131 S | * | 5/2001  | Pfeiffer     | ..... | D12/196 |
| D467,851 S | * | 12/2002 | Warming      | ..... | D12/196 |
| D468,675 S | * | 1/2003  | Murkett      | ..... | D12/196 |
| D479,700 S | * | 9/2003  | Boyer        | ..... | D12/196 |
| D491,859 S | * | 6/2004  | Velazco      | ..... | D12/196 |

\* cited by examiner

*Primary Examiner*—Melody N. Brown

(74) *Attorney, Agent, or Firm*—Crowell & Moring LLP

(57) **CLAIM**

The ornamental design for a surface configuration of a side door for a vehicle, as shown and described.

**DESCRIPTION**

This application is related to co-pending Application Ser. No. 29/217,910, of the inventor, filed on even date herewith and entitled "Surface Configuration of a Vehicle, Toy and/or Other Replicas".

FIG. 1 is a perspective view of a first embodiment of a surface configuration of a side door for a vehicle according to my novel design;

FIG. 2 is a side view of the first embodiment of the surface configuration of a side door for a vehicle according to my novel design;

FIG. 3 is a front view of the first embodiment of the surface configuration of a side door for a vehicle according to my novel design;

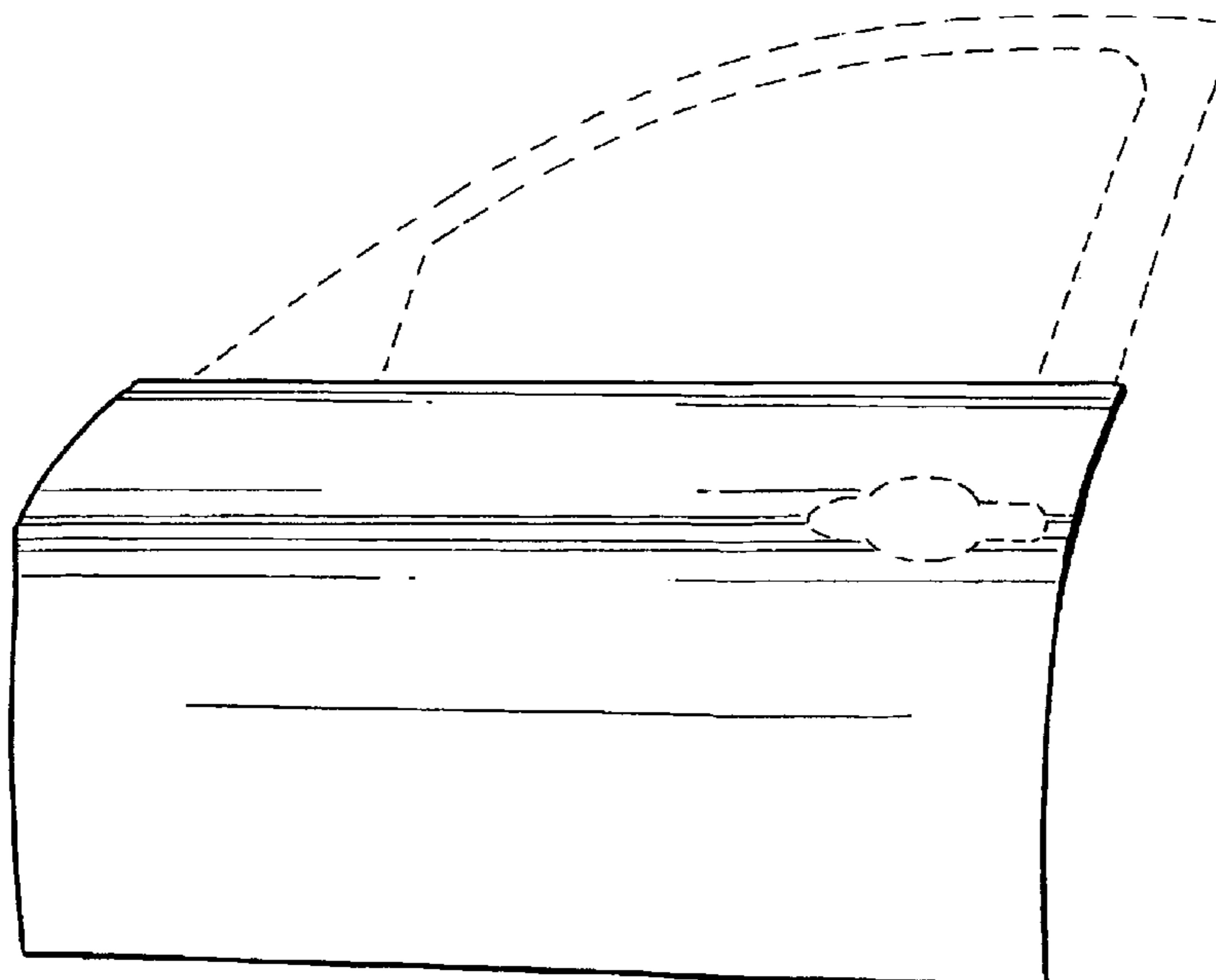
FIG. 4 is a perspective view of a second embodiment of the surface configuration of a side door for a vehicle according to my novel design;

FIG. 5 is a side view of the second embodiment of the surface configuration of a side door for a vehicle according to my novel design; and,

FIG. 6 is a front view of the second embodiment of the surface configuration of a side door for a vehicle according to my novel design.

The broken lines are for illustrative purposes only and form no part of the claimed design.

**1 Claim, 2 Drawing Sheets**



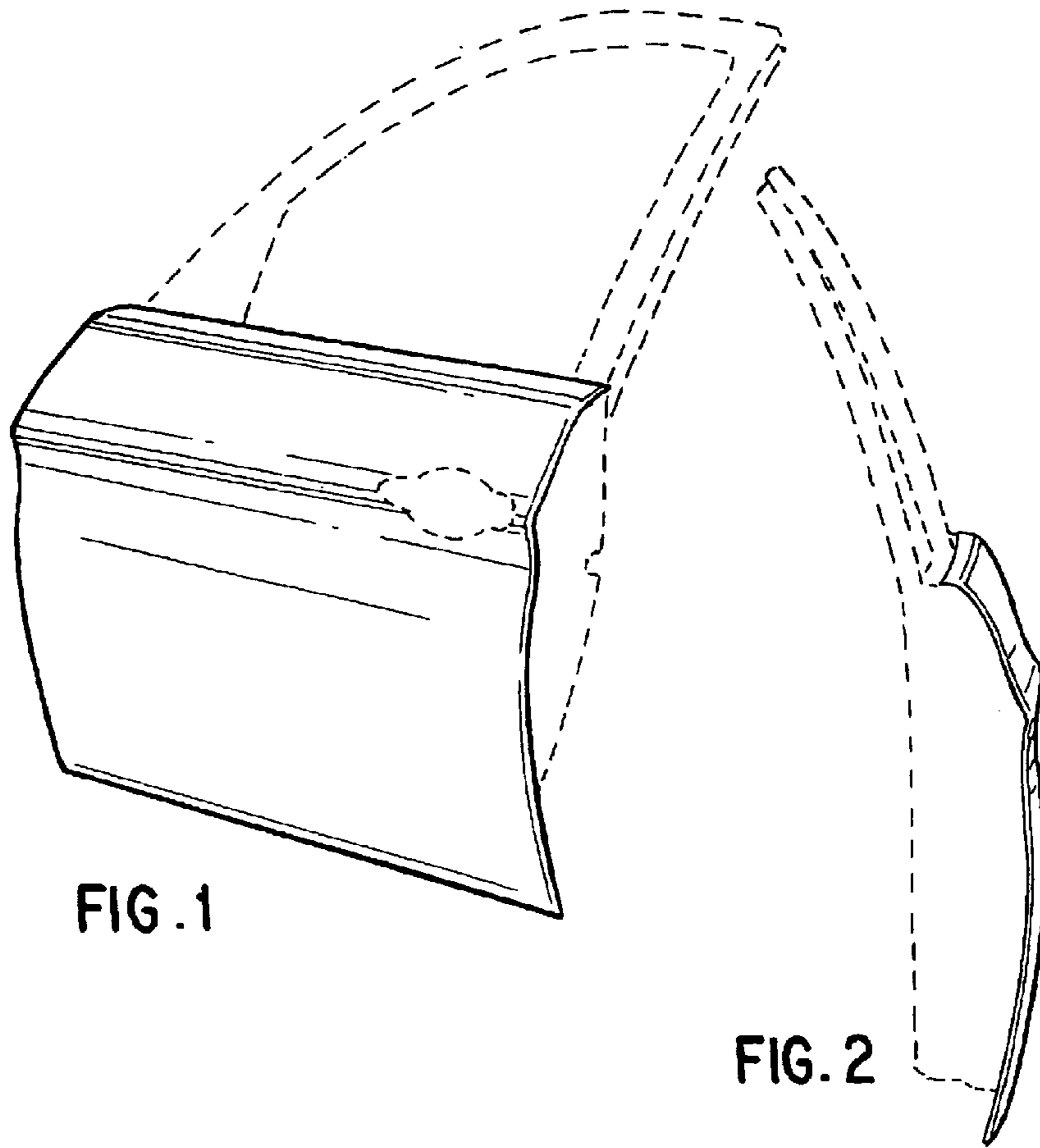


FIG. 1

FIG. 2

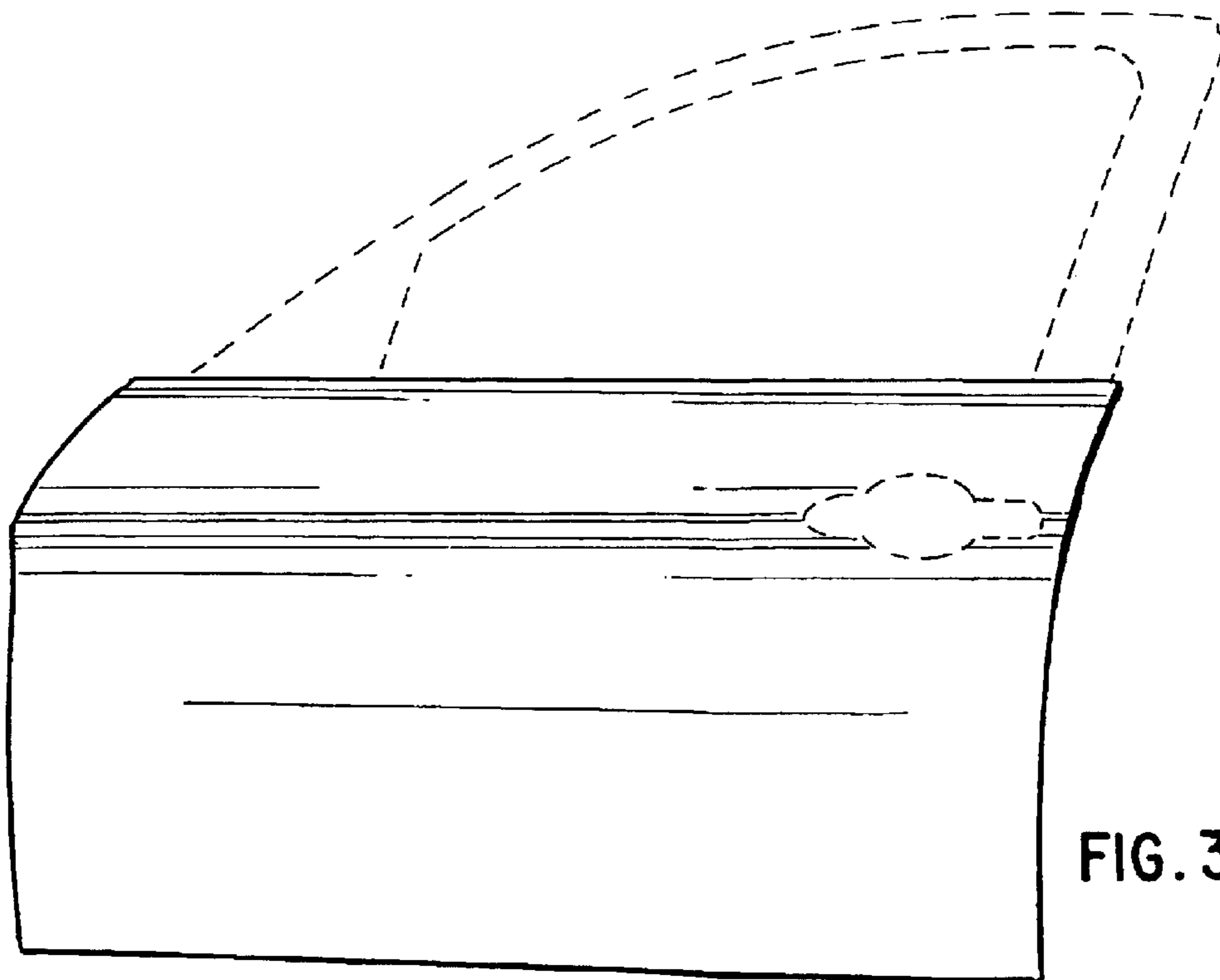


FIG. 3

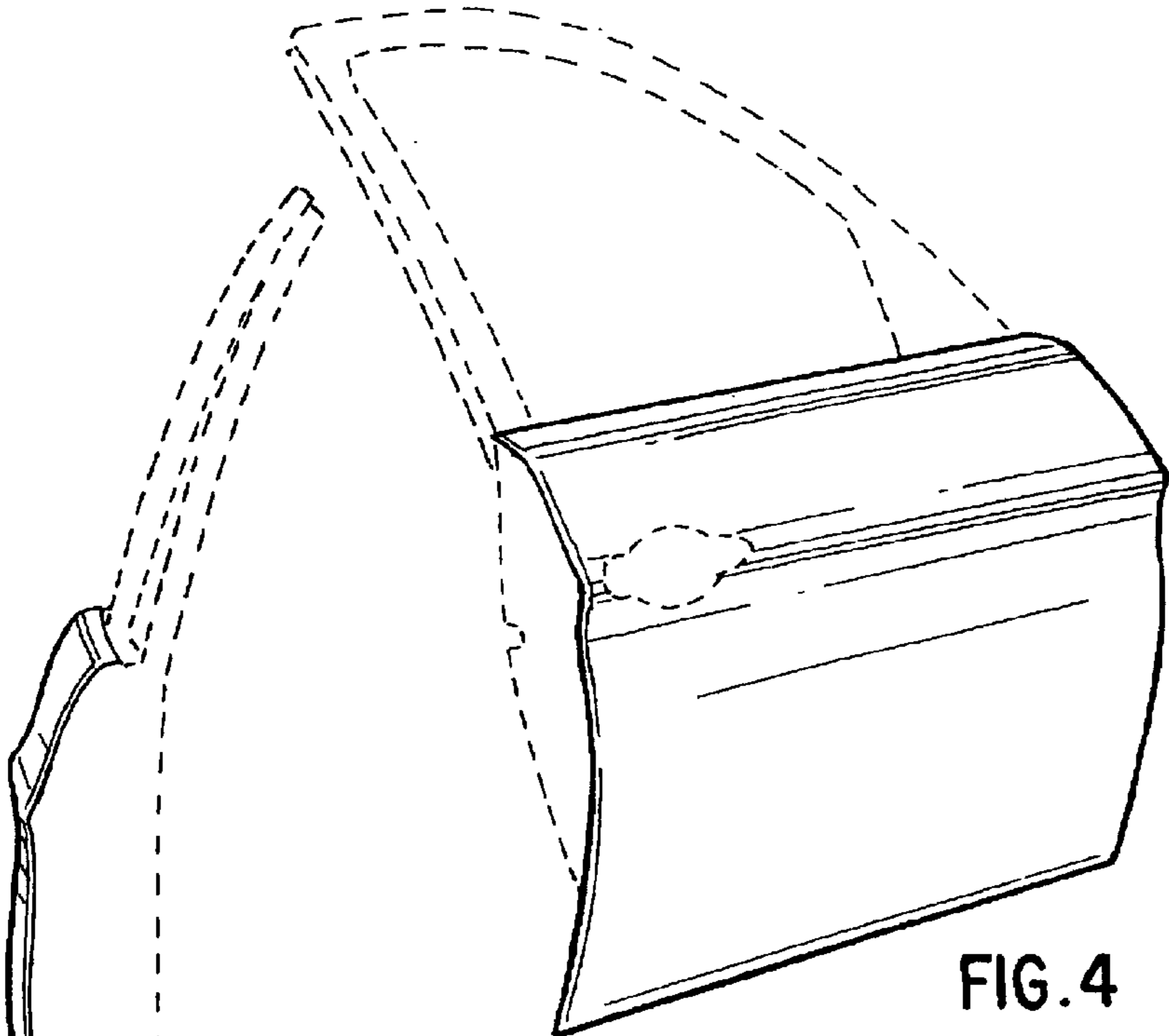


FIG. 4

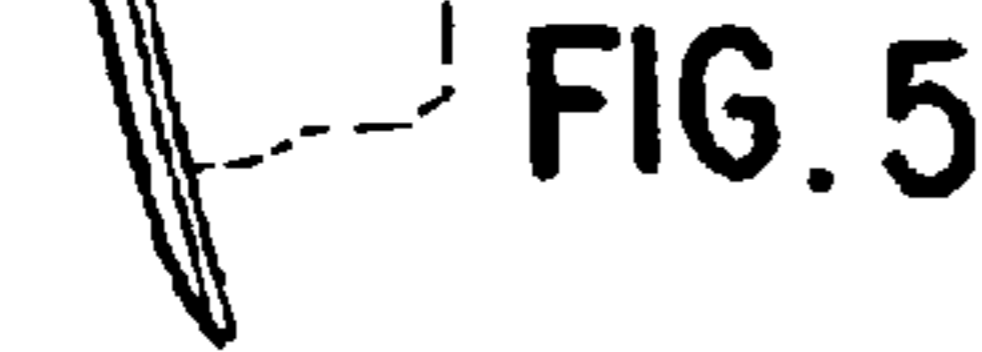


FIG. 5

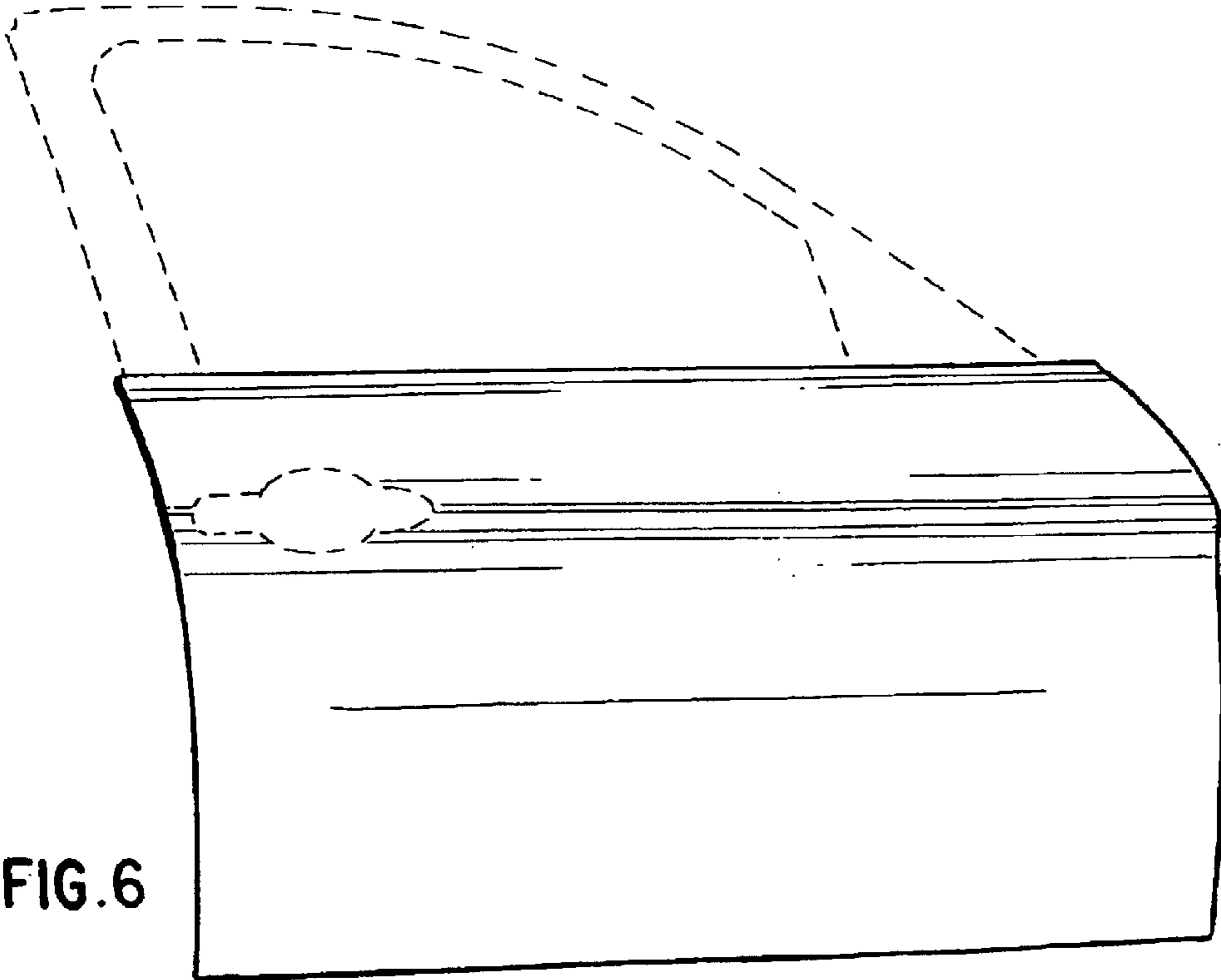


FIG. 6