



US00D511119S

(12) **United States Design Patent**  
**Chang**

(10) **Patent No.:** **US D511,119 S**  
(45) **Date of Patent:** **\*\* Nov. 1, 2005**

(54) **GYRO SPHERE DESK ORNAMENT**

(76) **Inventor:** **Eddie Chang**, Unit C, 2/F, Leroy Plaza,  
15 Cheung Shun Street, Cheung Sha  
Wan, Kowloon (HK)

(\*\*) **Term:** **14 Years**

(21) **Appl. No.:** **29/215,406**

(22) **Filed:** **Oct. 18, 2004**

(51) **LOC (8) Cl.** ..... **11-02**

(52) **U.S. Cl.** ..... **D11/131; D10/10**

(58) **Field of Search** ..... D11/131, 141,  
D11/157; D10/1-29, 54, 68; D19/59, 61,  
80, 82, 94-97; D20/10, 12, 18, 19-21,  
29, 34; 428/13, 14, 542.2, 542.4; 434/131-148;  
40/358, 446, 484, 493, 494, 508; 368/21-24,  
276, 285, 316, 317; 968/169

(56) **References Cited**

**U.S. PATENT DOCUMENTS**

|           |   |   |         |                |       |         |
|-----------|---|---|---------|----------------|-------|---------|
| 895,263   | A | * | 8/1908  | Harger         | ..... | 434/141 |
| 1,196,108 | A | * | 8/1916  | Harbeck        | ..... | 434/133 |
| D89,116   | S | * | 1/1933  | Beall et al.   | ..... | D19/97  |
| 2,907,166 | A | * | 10/1959 | Baccara        | ..... | 368/24  |
| 2,958,959 | A | * | 11/1960 | Hubbard        | ..... | 434/131 |
| 3,762,086 | A | * | 10/1973 | Horbinski      | ..... | 40/332  |
| D249,534  | S | * | 9/1978  | Denney         | ..... | D19/61  |
| D265,873  | S | * | 8/1982  | Smith          | ..... | D6/429  |
| 4,368,578 | A | * | 1/1983  | Carroll et al. | ..... | 33/1 SA |

|          |   |   |        |        |       |        |
|----------|---|---|--------|--------|-------|--------|
| D283,257 | S | * | 4/1986 | Ikeda  | ..... | D26/93 |
| D326,614 | S | * | 6/1992 | Hwang  | ..... | D10/15 |
| D334,479 | S | * | 4/1993 | Glick  | ..... | D6/310 |
| D409,414 | S | * | 5/1999 | Weiner | ..... | D6/449 |
| D476,829 | S | * | 7/2003 | Wiltse | ..... | D6/466 |

\* cited by examiner

*Primary Examiner*—Catherine Tuttle

(74) *Attorney, Agent, or Firm*—Robert M. Downey, P.A.

(57) **CLAIM**

The ornamental design for a gyro sphere desk ornament, as shown and described.

**DESCRIPTION**

FIG. 1 is a front top perspective view of a gyro sphere desk ornament with a gyro sphere in a first position, showing my new design;

FIG. 2 is a front top perspective view of the gyro sphere desk ornament with the gyro sphere in a second position;

FIG. 3 is a right side elevational view of the gyro sphere desk ornament in the position shown in FIG. 1;

FIG. 4 is a left side elevational view thereof;

FIG. 5 is a top plan view thereof;

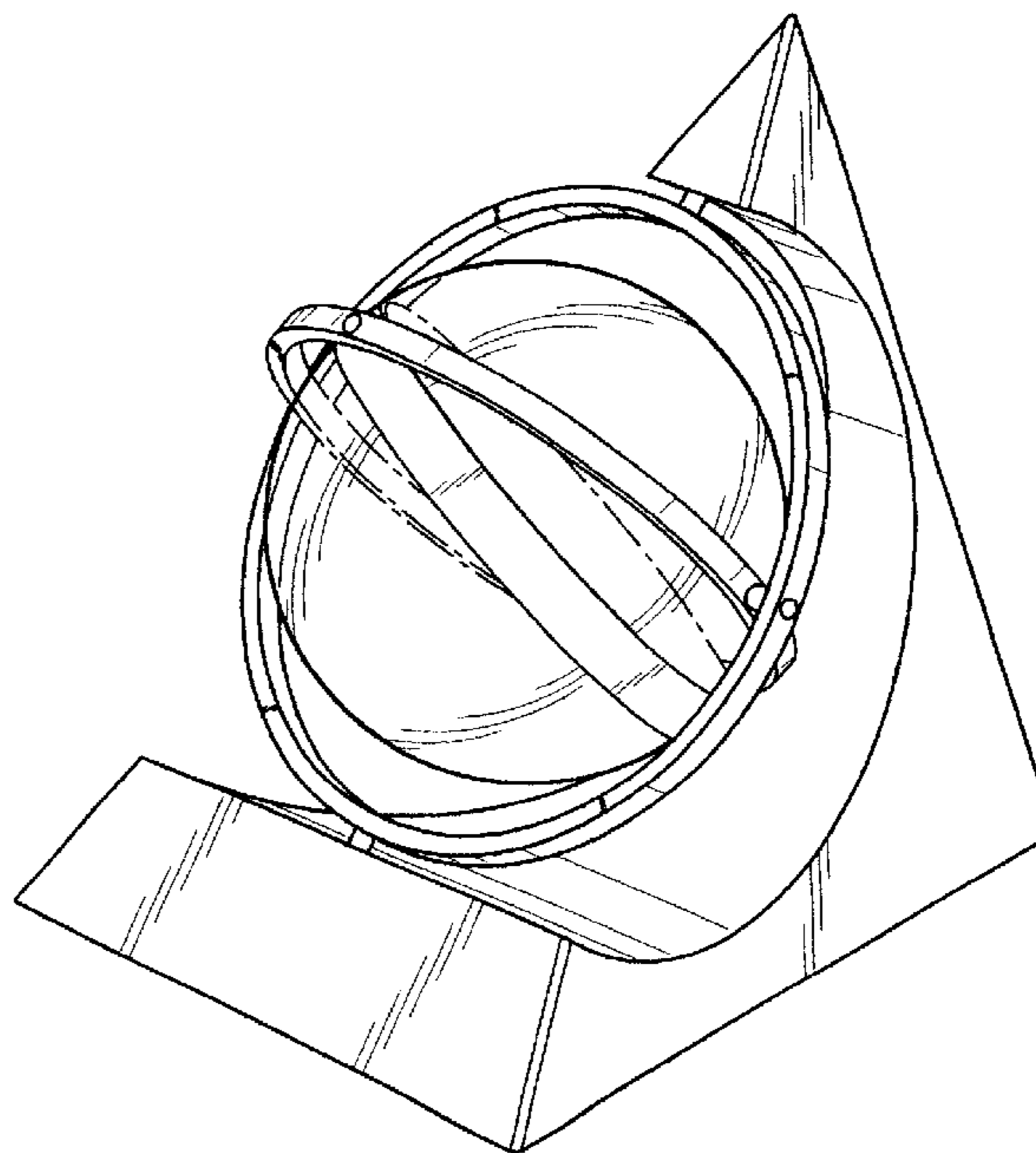
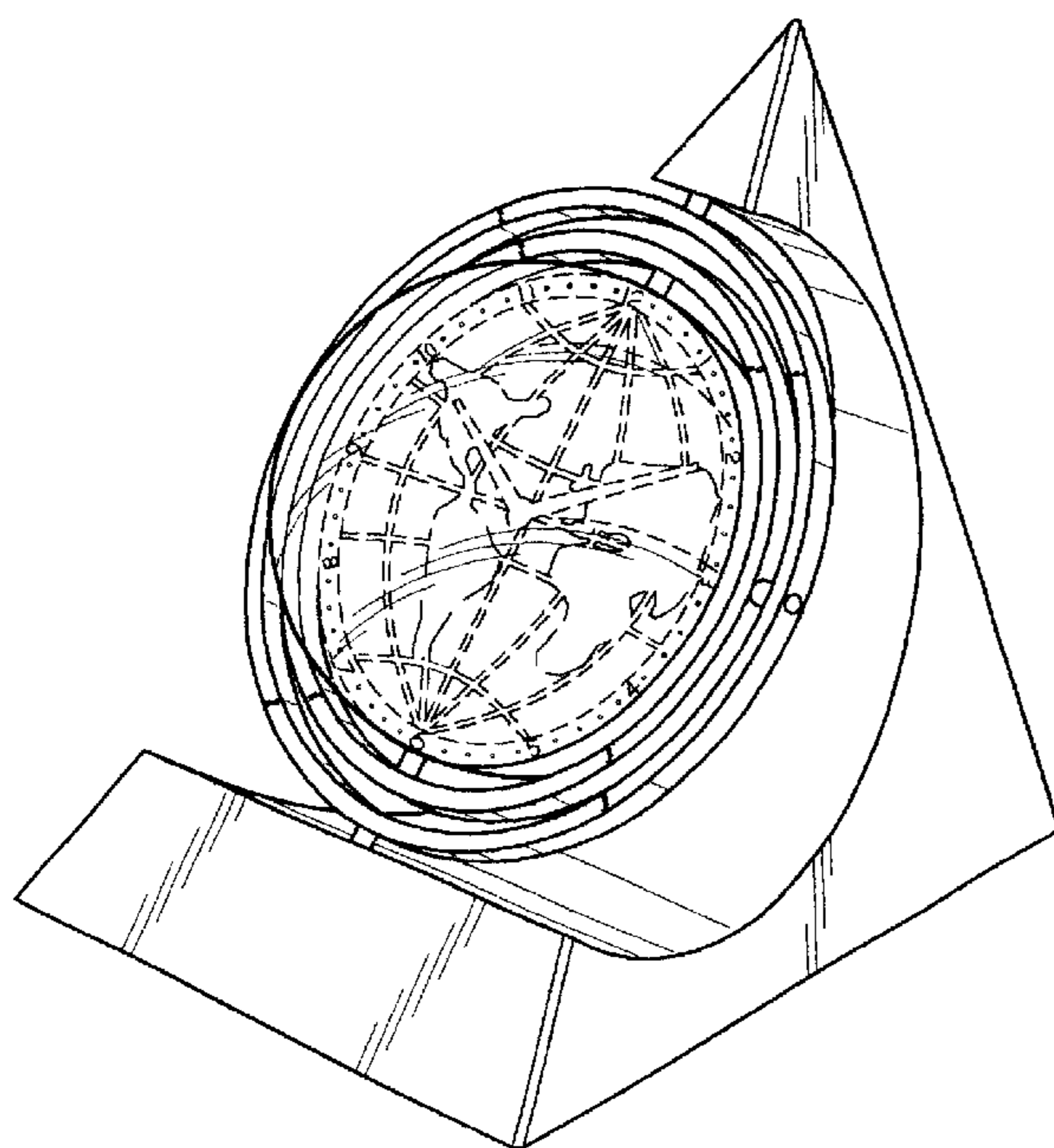
FIG. 6 is a bottom plan view thereof;

FIG. 7 is a front elevational view thereof; and,

FIG. 8 is a rear elevational view thereof.

The interior elements shown in broken lines are for illustrative purposes only and form no part of the claimed design.

**1 Claim, 4 Drawing Sheets**



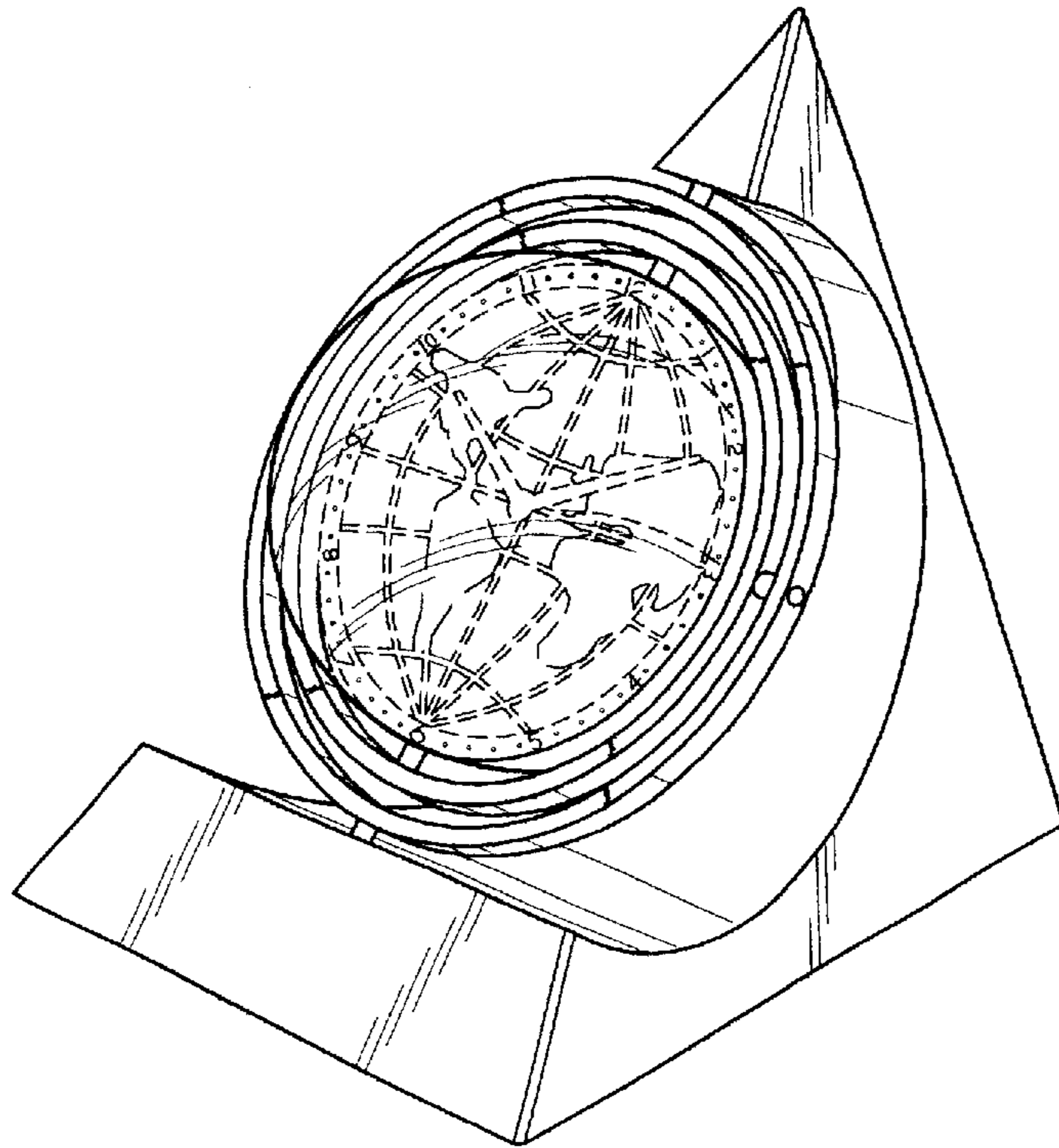


FIG. 1

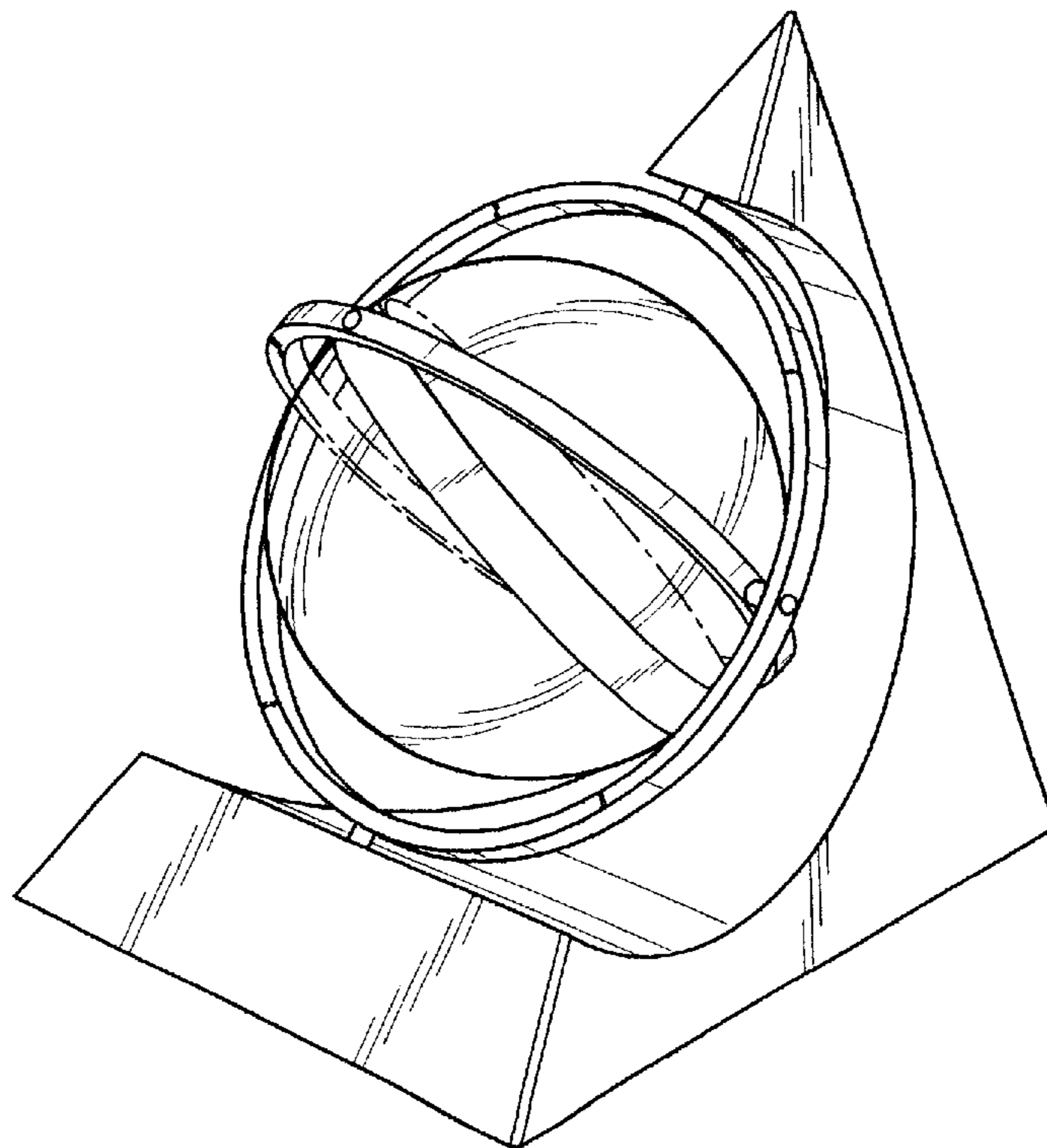


FIG. 2

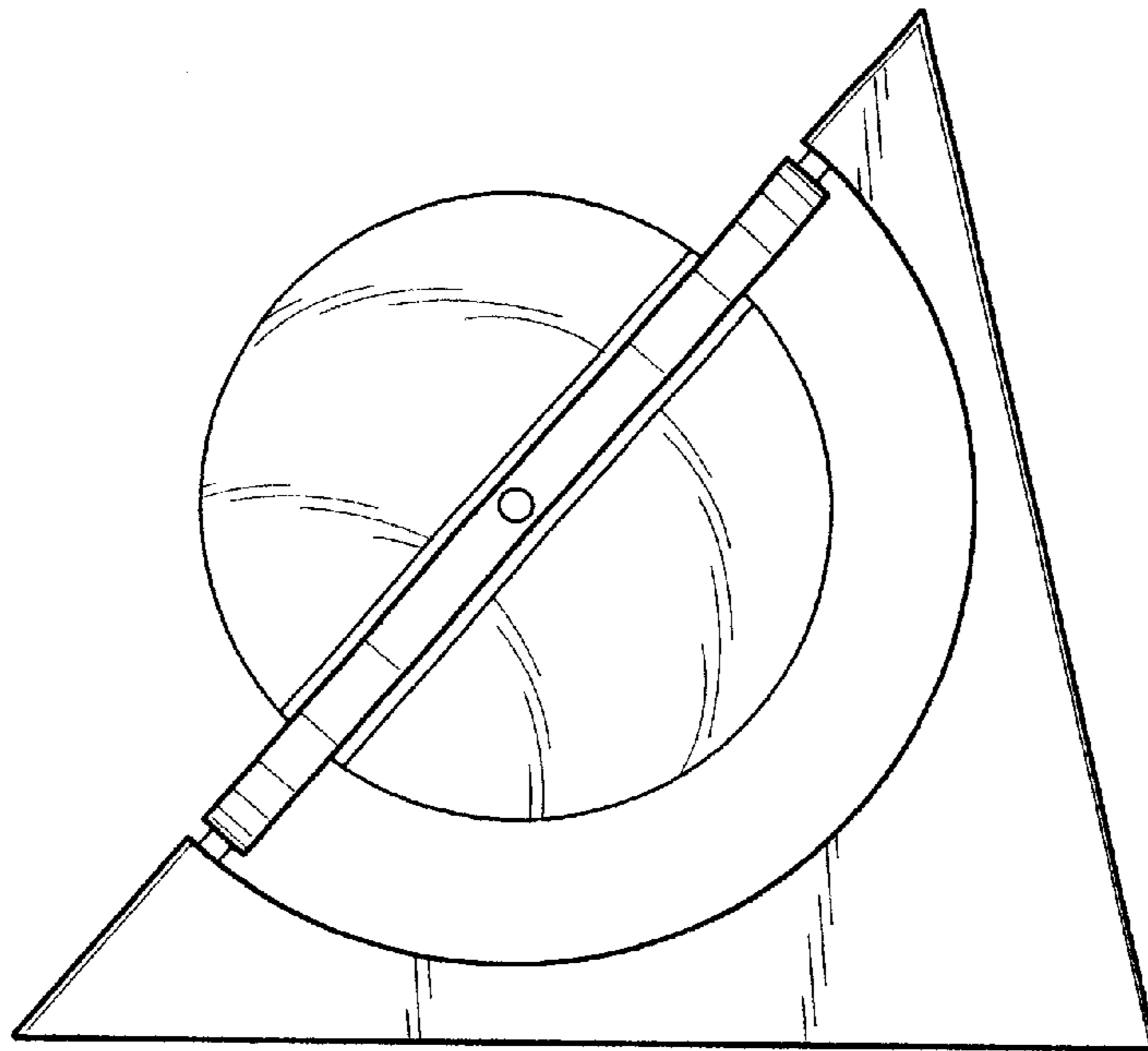


FIG. 3

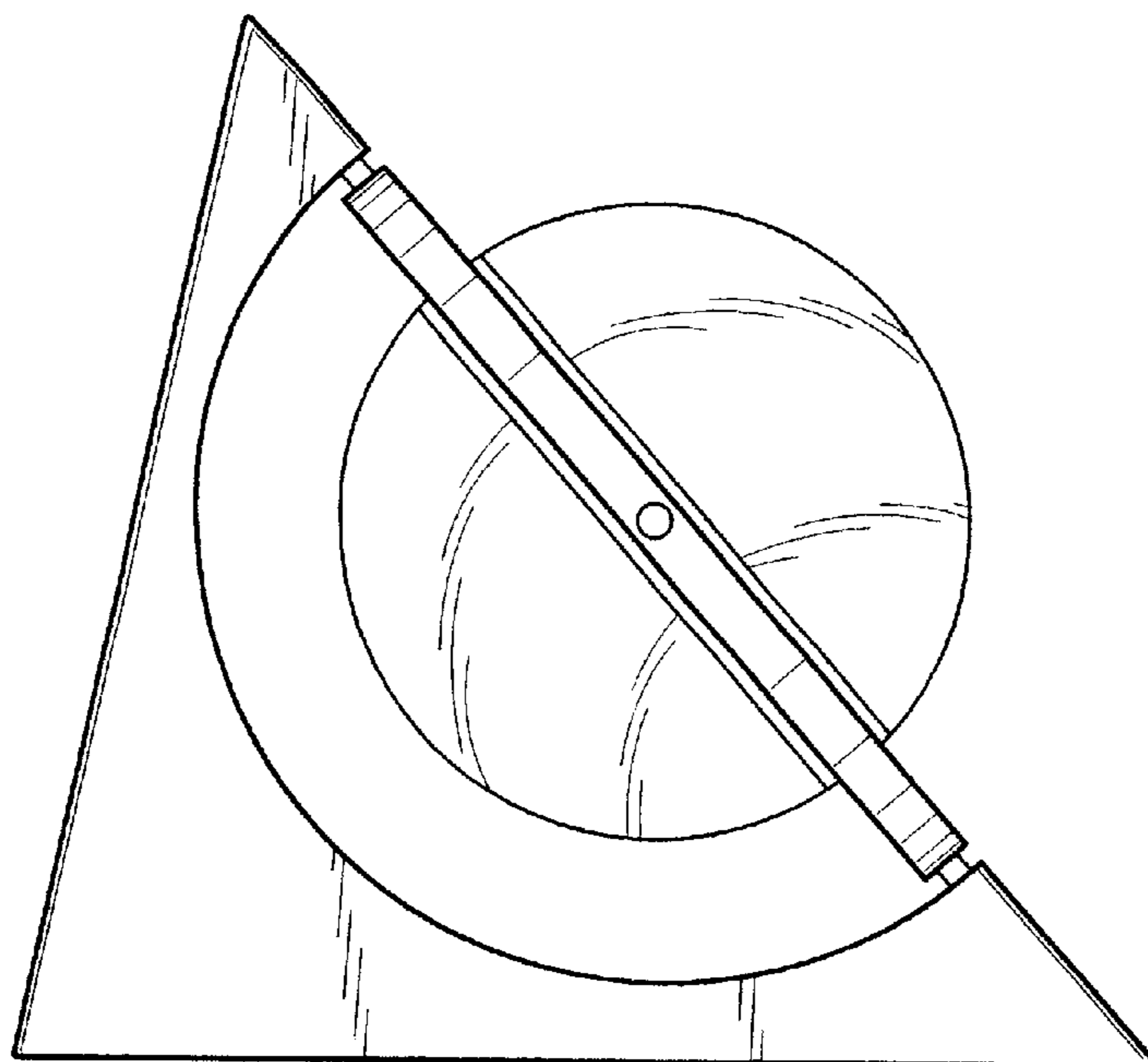


FIG. 4

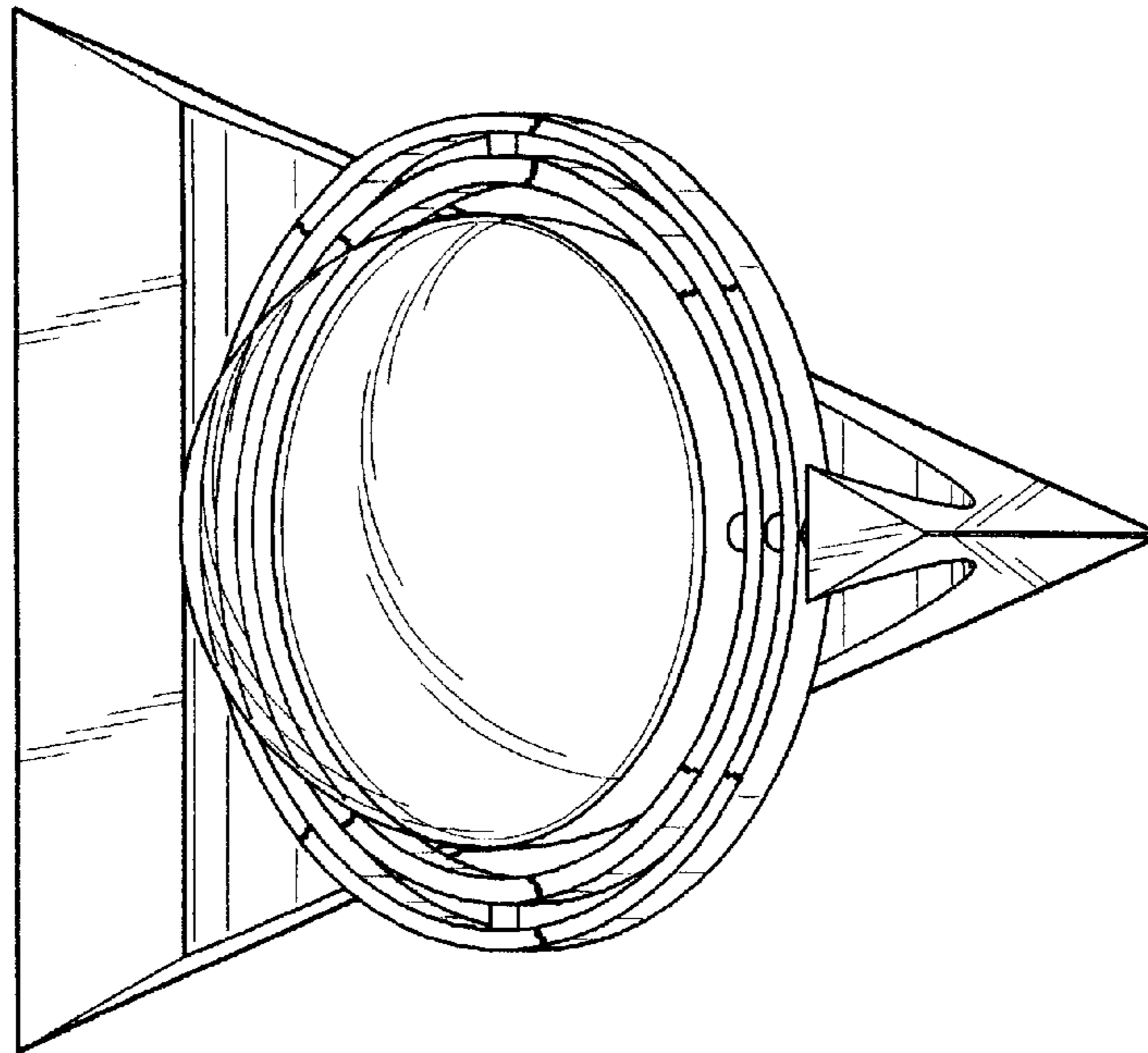


FIG. 5

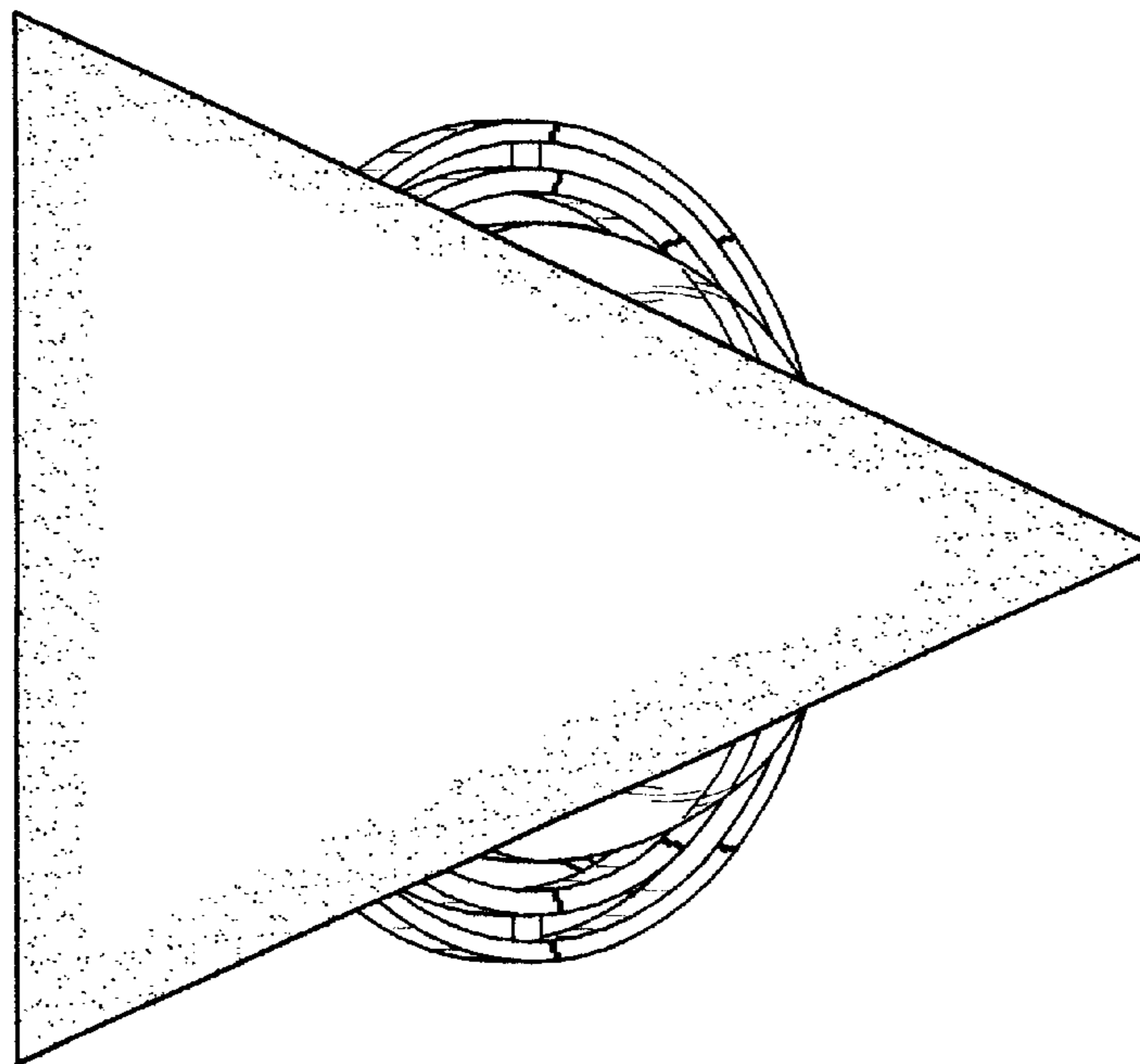


FIG. 6

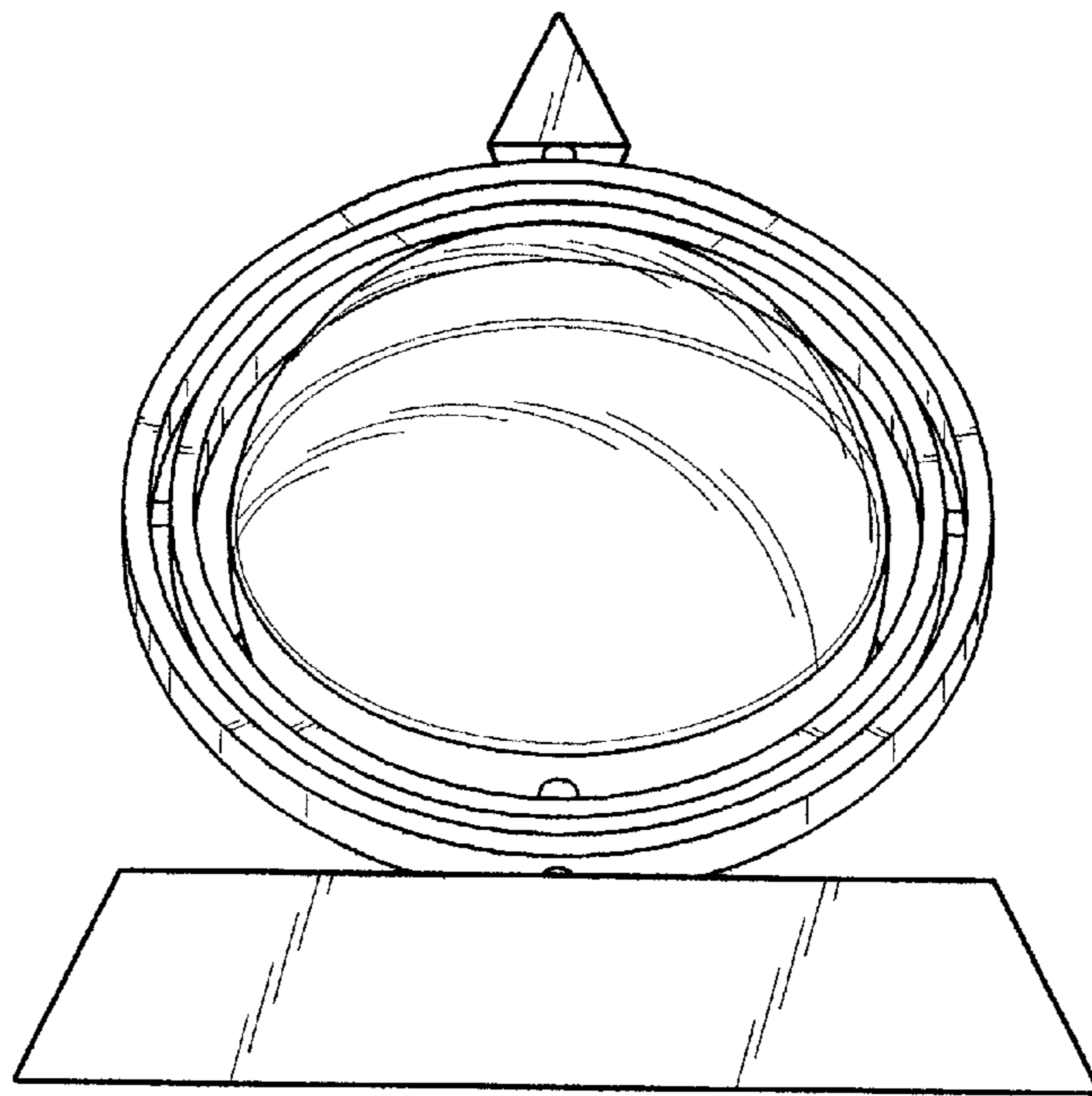


FIG. 7

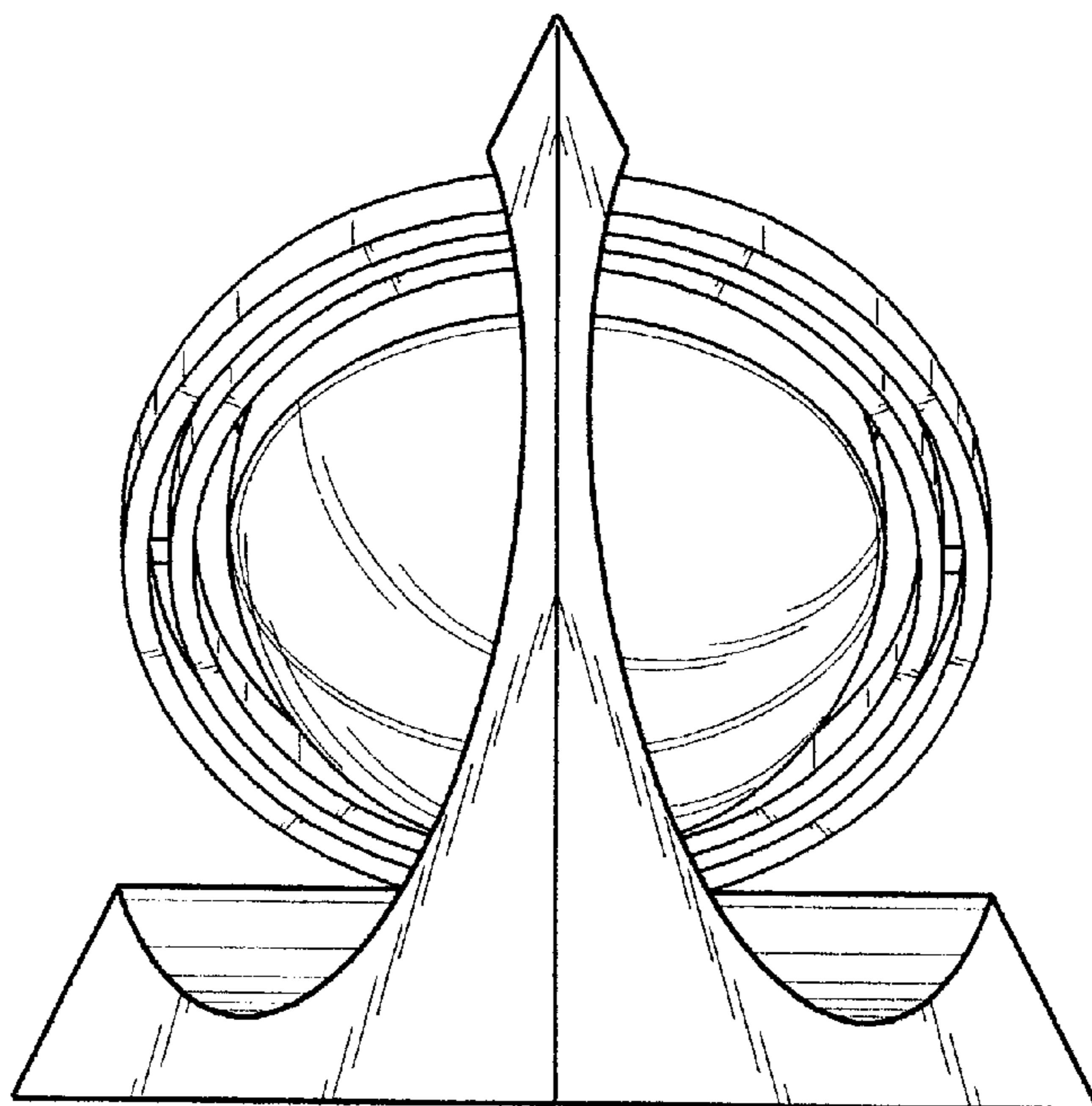


FIG. 8