

US00D511116S

(12) **United States Design Patent**
Kelly, Jr.

(10) **Patent No.:** **US D511,116 S**

(45) **Date of Patent:** **** Nov. 1, 2005**

(54) **CANDLE HOLDER WARNING DEVICE**

(76) **Inventor:** **Edward J. Kelly, Jr.,** 917 N. 21st St.,
Allentown, PA (US) 18104

(**) **Term:** **14 Years**

(21) **Appl. No.:** **29/222,737**

(22) **Filed:** **Feb. 3, 2005**

(51) **LOC (8) Cl.** **10-05**

(52) **U.S. Cl.** **D10/106**

(58) **Field of Search** D26/10, 67, 34,
D26/22; D14/156; D10/105, 104, 103, 91,
106; D7/624.1; 177/238; 73/862, 474; 417/14

(56) **References Cited**

U.S. PATENT DOCUMENTS

D31,922 S	*	12/1899	Koehne	D10/94
D53,726 S	*	8/1919	Berge	D10/74
D121,581 S	*	7/1940	Young	D10/103
D421,775 S	*	3/2000	Goto	D21/329
D451,080 S	*	11/2001	Kataoka	D14/156
D484,866 S	*	1/2004	Tanaka	D14/156

D488,796 S	*	4/2004	Hirano	D14/156
D491,549 S	*	6/2004	Zeitman	D14/156
D498,689 S	*	11/2004	Lee	D10/91
D499,080 S	*	11/2004	Matsuoka	D14/156
D503,701 S	*	4/2005	Suzuki	D14/156

* cited by examiner

Primary Examiner—Cathron C. Brooks

Assistant Examiner—Austin Murphy

(57) **CLAIM**

The ornamental design for a candle holder warning device,
as shown.

DESCRIPTION

FIG. 1 is a perspective view of a candle holder warning device showing my new design.

FIG. 2 is top view thereof;

FIG. 3 is a right side view thereof;

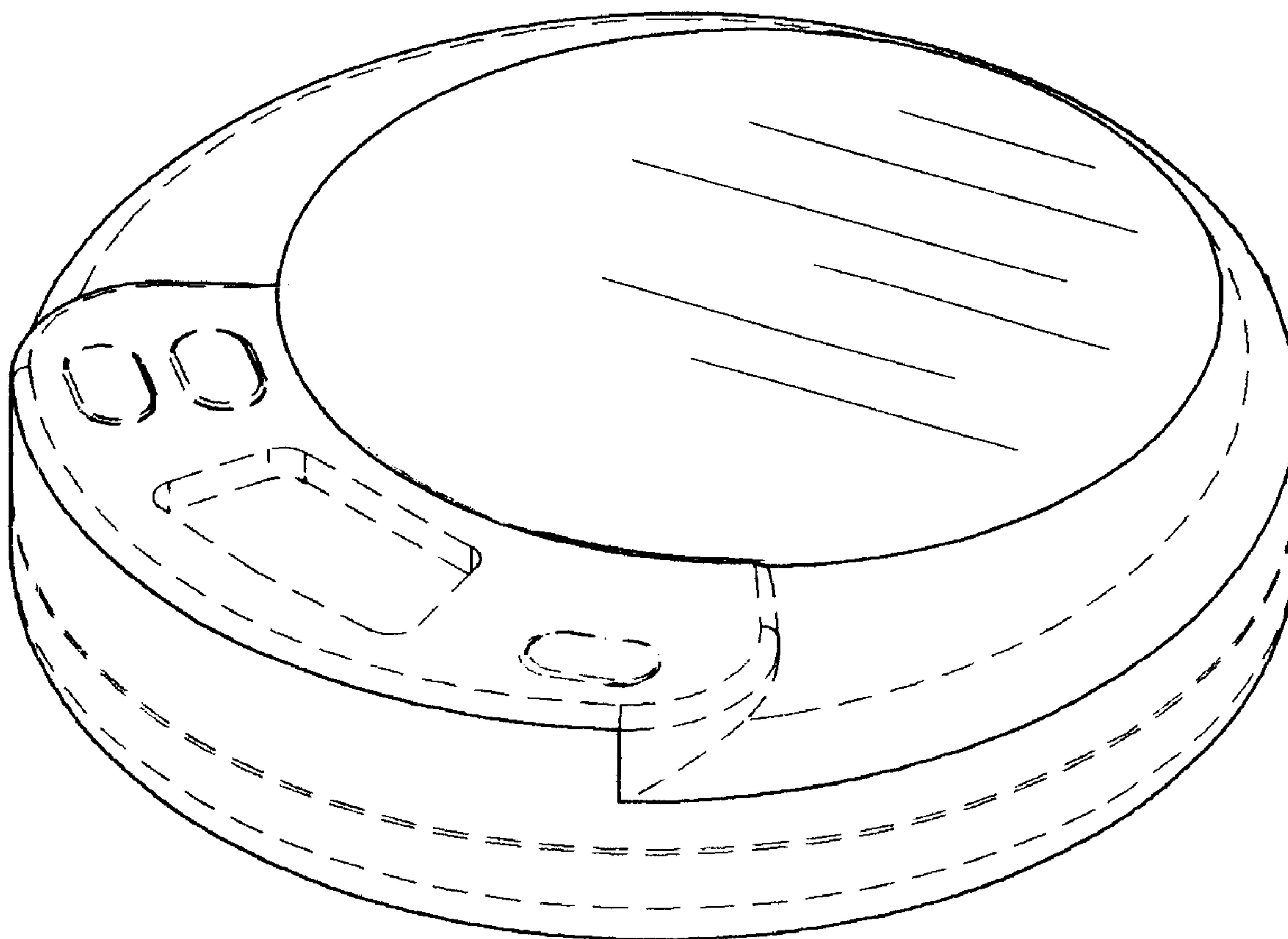
FIG. 4 is a left side view thereof;

FIG. 5 is a back view thereof;

FIG. 6 is a front view thereof; and,

FIG. 7 is a bottom view thereof.

1 Claim, 5 Drawing Sheets



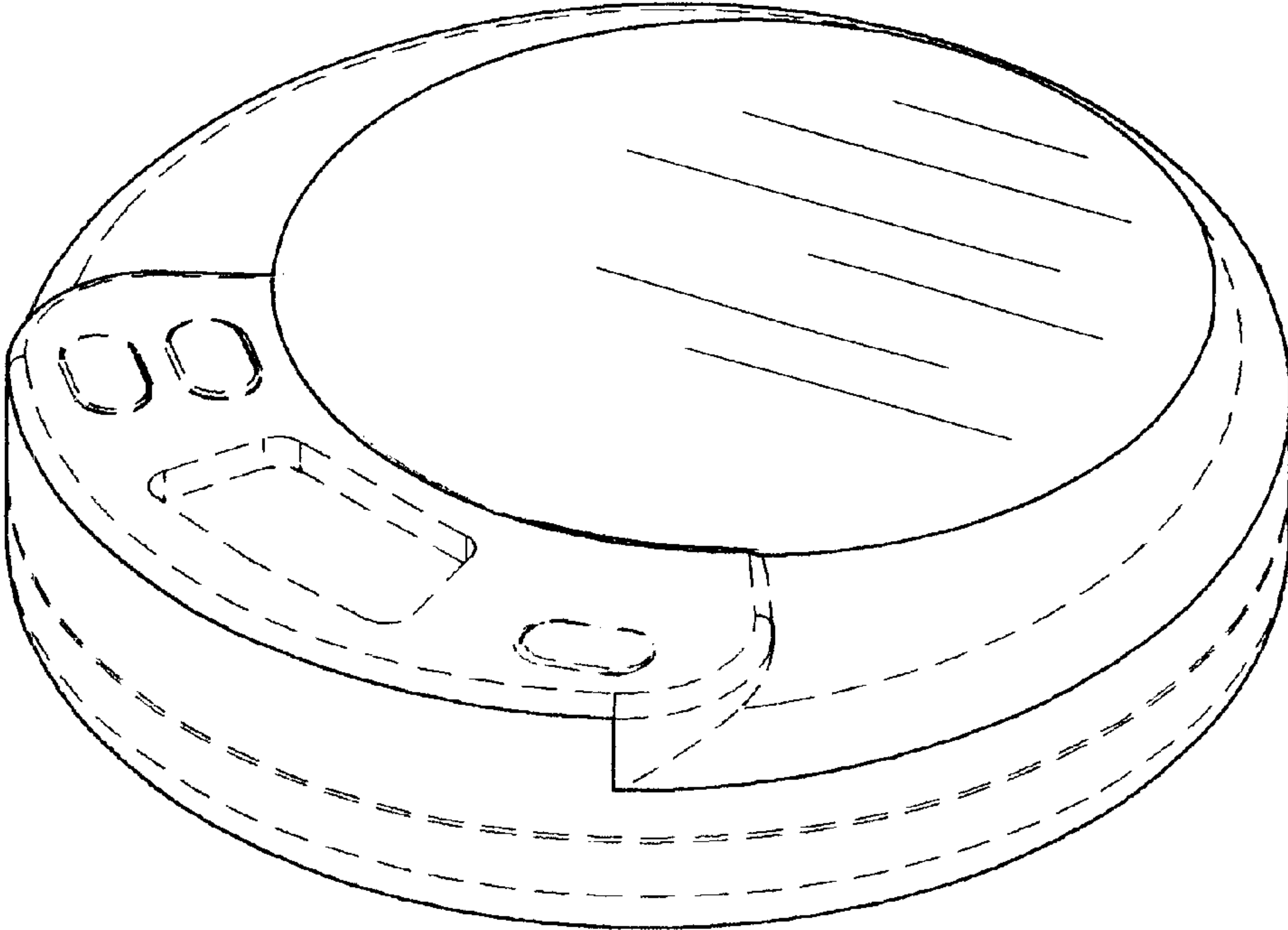


Fig. 1

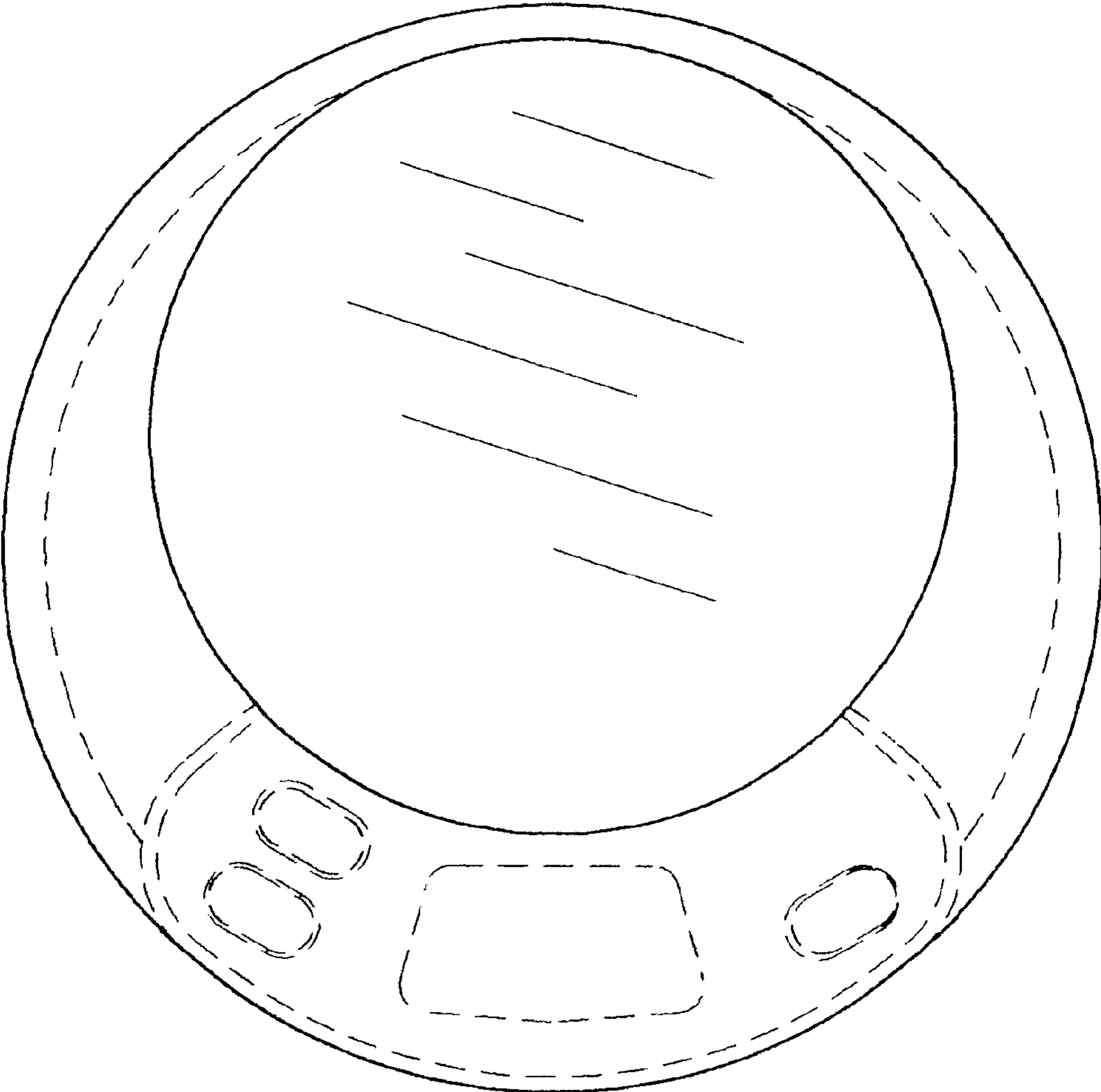


Fig. 2

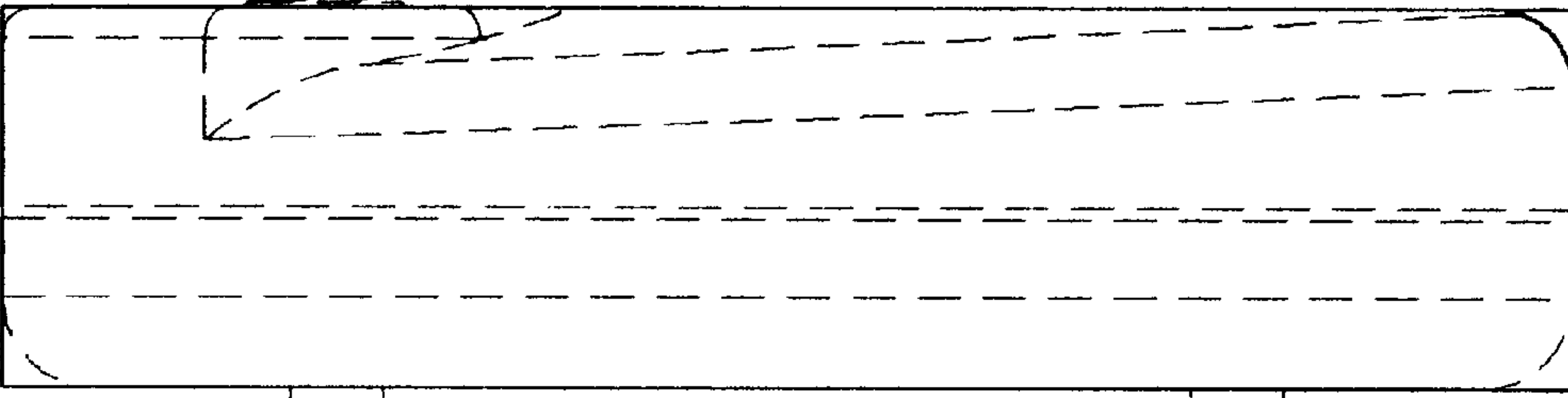


Fig. 3

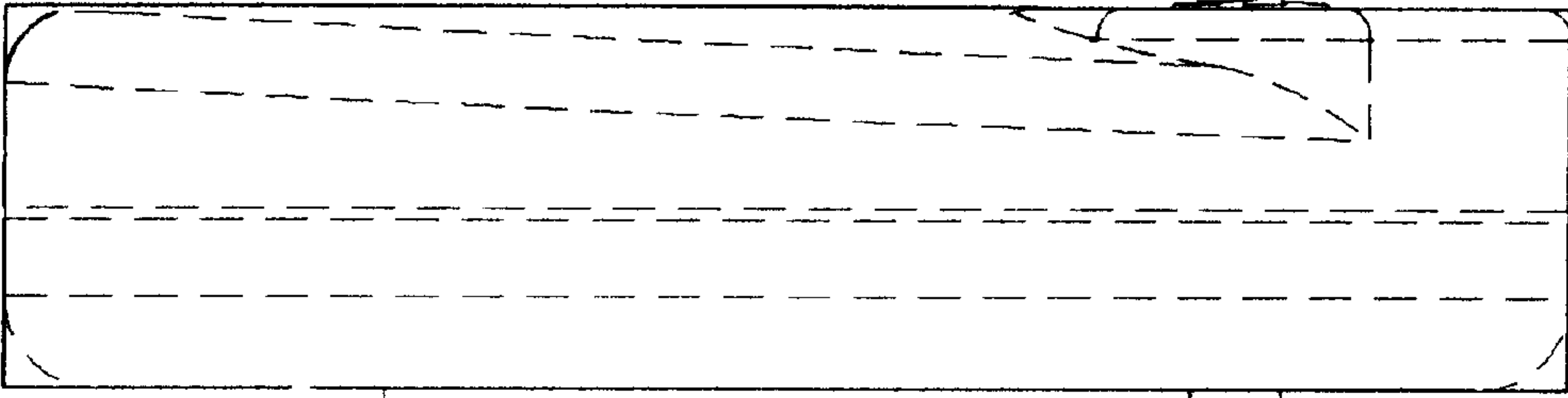


Fig. 4

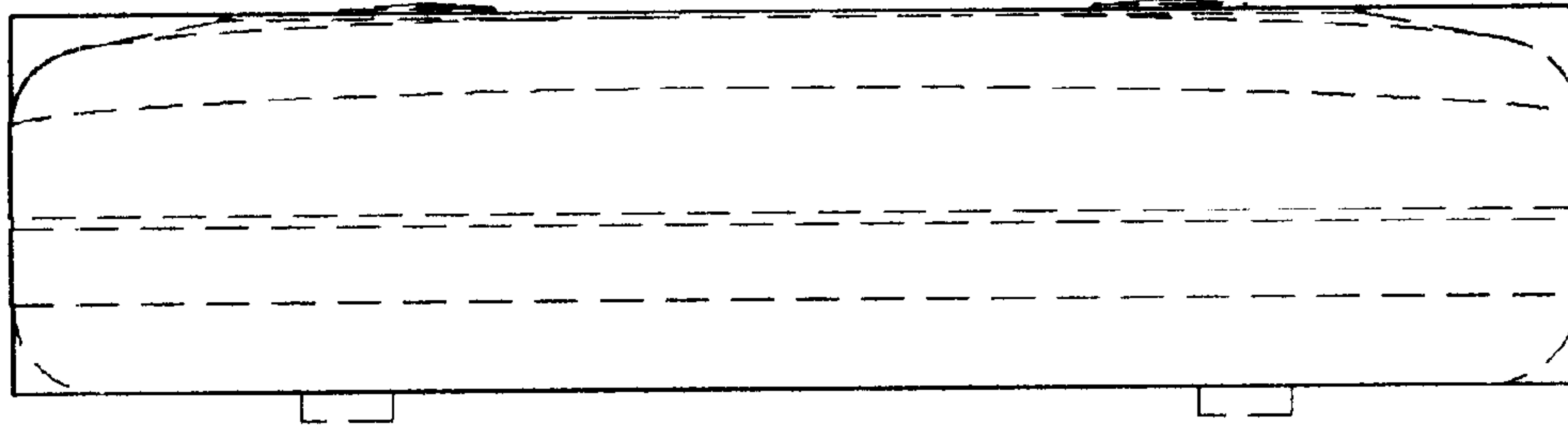


Fig. 5

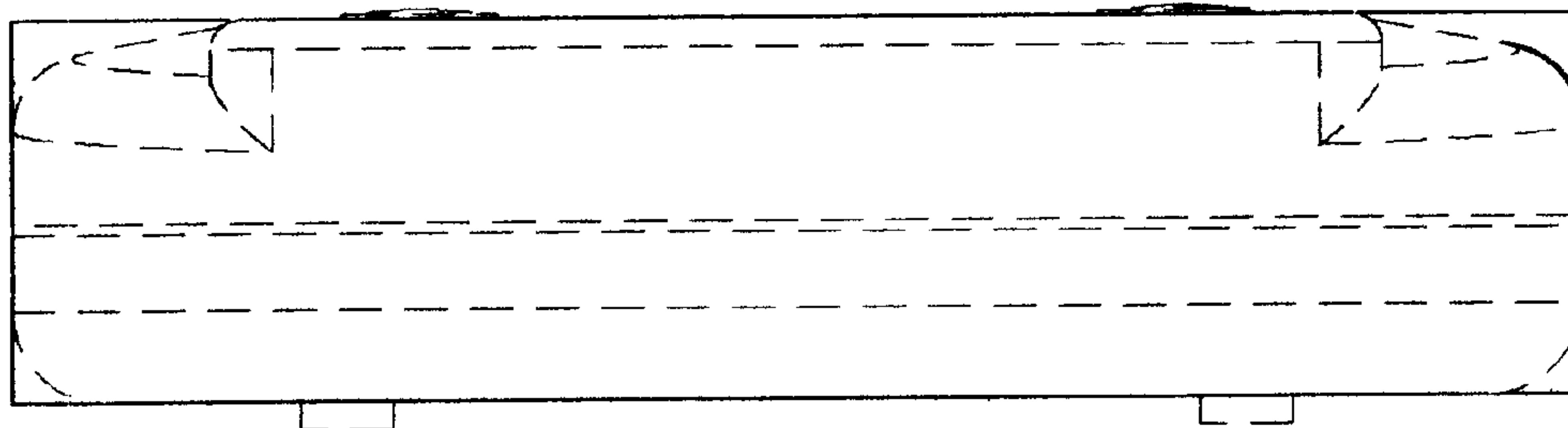


Fig. 6

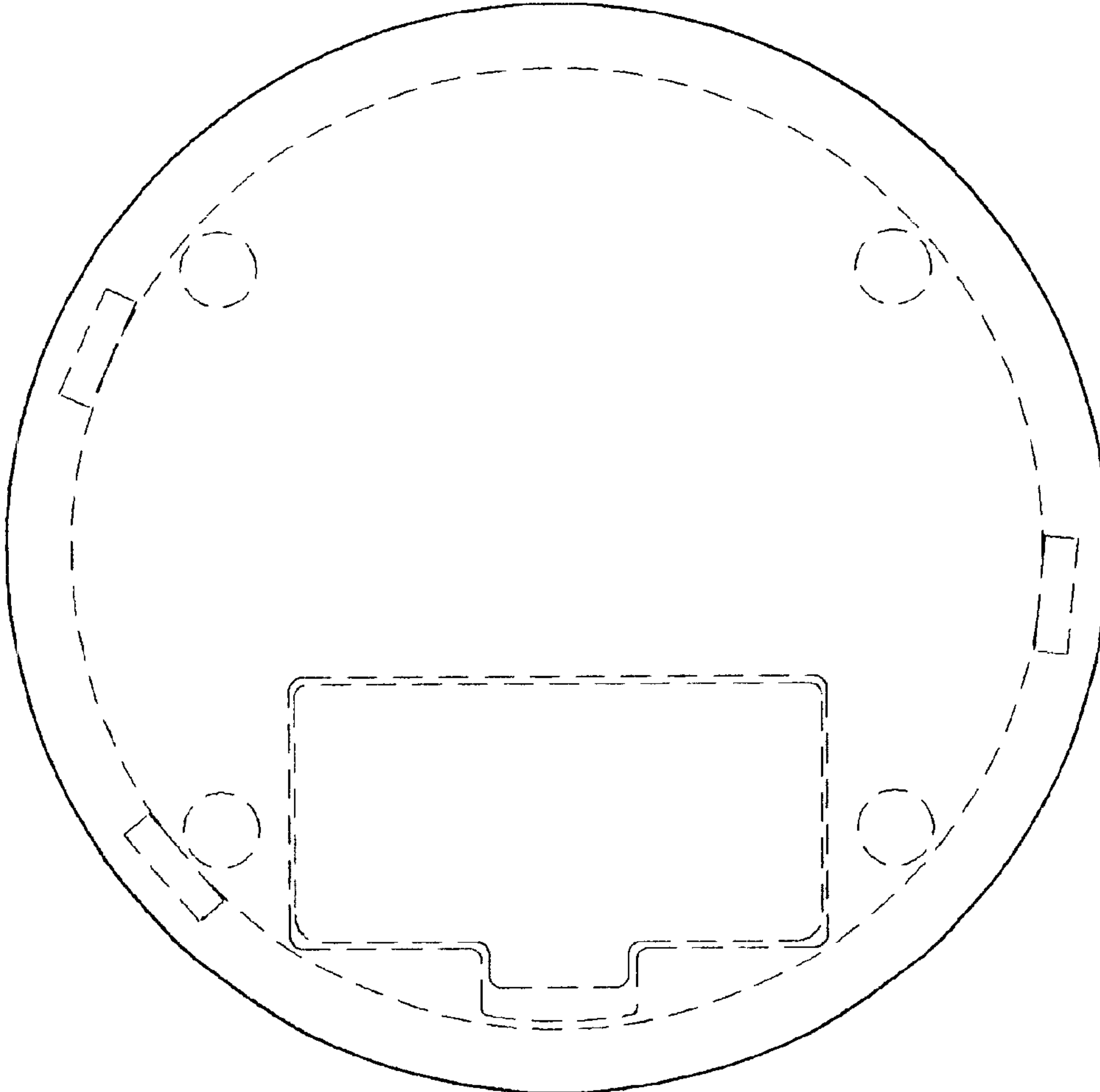


FIG. 7