



US00D511113S

(12) **United States Design Patent** (10) **Patent No.:** **US D511,113 S**
Feldman et al. (45) **Date of Patent:** **** Nov. 1, 2005**

(54) **BIOMETRIC PERSONAL IDENTIFICATION DEVICE**

(75) Inventors: **Benjamin F. Feldman**, Reston, VA (US); **David M. Alexander**, Purcellville, VA (US); **Eric F. Cabahug**, Fairfax, VA (US)

(73) Assignee: **Privaris, Inc.**, Charlottesville, VA (US)

(**) Term: **14 Years**

(21) Appl. No.: **29/211,663**

(22) Filed: **Aug. 19, 2004**

(51) **LOC (8) Cl.** **10-05**

(52) **U.S. Cl.** **D10/104**

(58) **Field of Search** D24/216, 169, D24/167; D14/496, 240, 218, 136; D13/168; D10/104, 98, 70, 81; D21/329; D3/207; 713/186; 382/126

(56) **References Cited**

U.S. PATENT DOCUMENTS

D371,198 S	*	6/1996	Savage et al.	D24/169
D376,822 S	*	12/1996	Osterhout	D21/329
D392,572 S	*	3/1998	Larsen et al.	D10/40
D410,500 S	*	6/1999	Toma et al.	D21/329
D429,287 S	*	8/2000	Nara et al.	D21/329

D444,235 S	*	6/2001	Roberts et al.	D24/169
D450,006 S	*	11/2001	Nagano et al.	D10/98
D452,488 S	*	12/2001	Ogasawara	D14/136
D465,530 S	*	11/2002	Hornsby et al.	D21/329
D469,708 S	*	2/2003	To et al.	D10/104
D488,149 S	*	4/2004	James	D14/141.3
D499,805 S	*	12/2004	D'Agostino	D24/169
D503,641 S	*	4/2005	Huang	D10/81

* cited by examiner

Primary Examiner—Cathron C. Brooks

Assistant Examiner—Austin Murphy

(74) *Attorney, Agent, or Firm*—Kimberly A. Chasteen

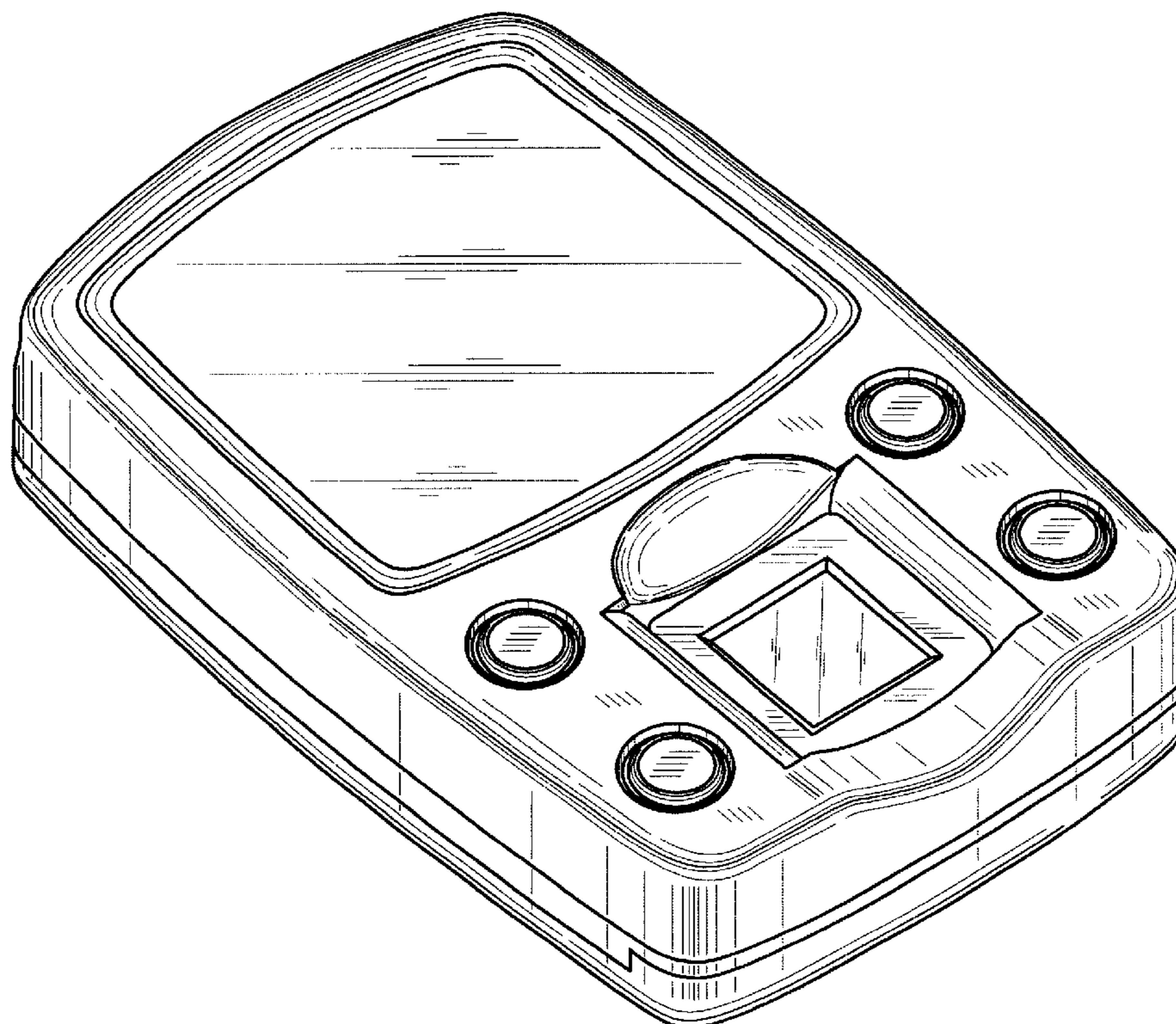
(57) **CLAIM**

The ornamental design for an biometric personal identification device, as shown.

DESCRIPTION

FIG. 1 is a front and bottom perspective view of a biometric personal identification device;
 FIG. 2 is a front elevational view;
 FIG. 3 is a left side elevational view;
 FIG. 4 is a rear elevational view;
 FIG. 5 is a right side elevational view;
 FIG. 6 is a right side and front perspective view; and,
 FIG. 7 is a top elevational view.

1 Claim, 4 Drawing Sheets



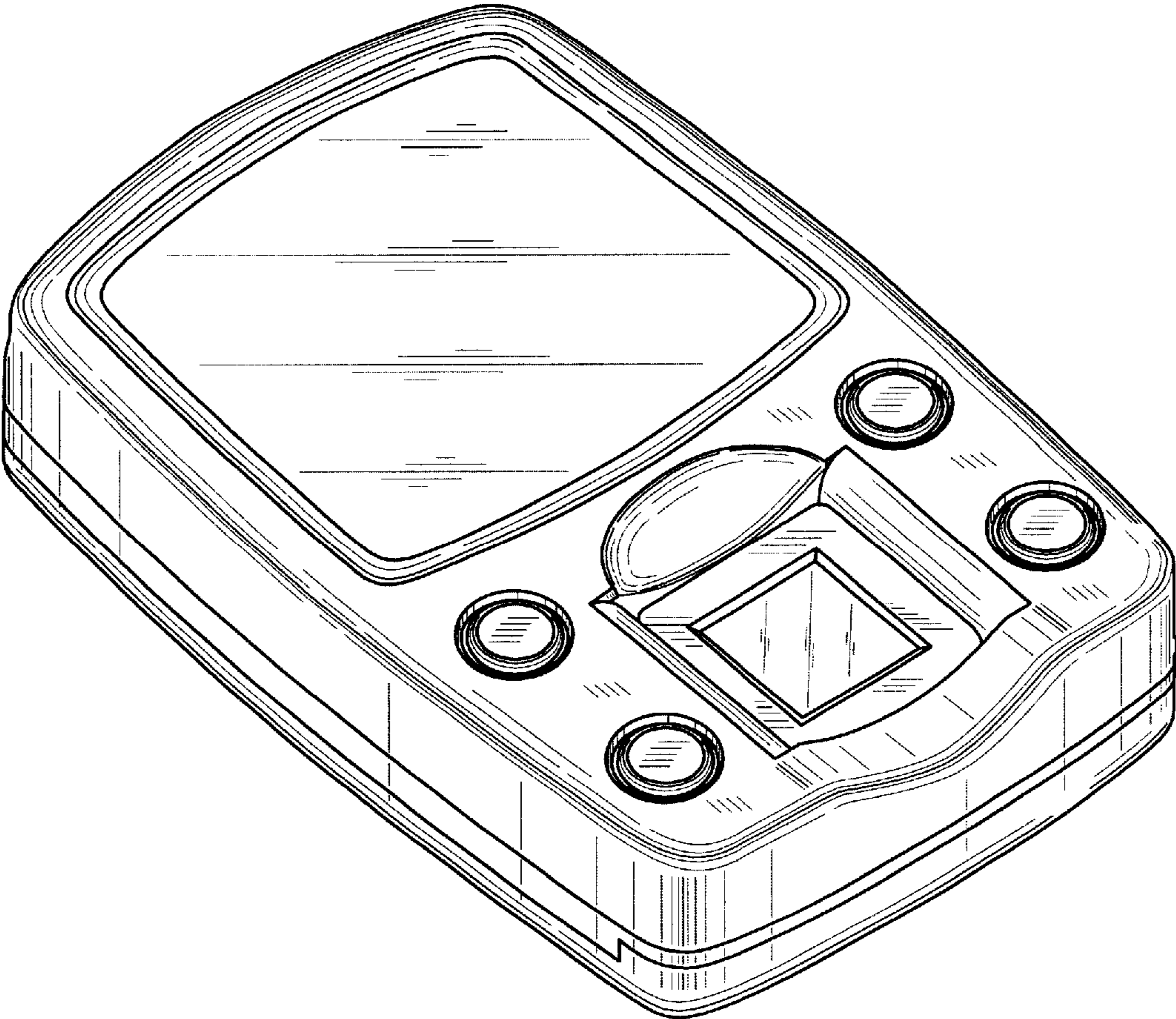


FIG. 1

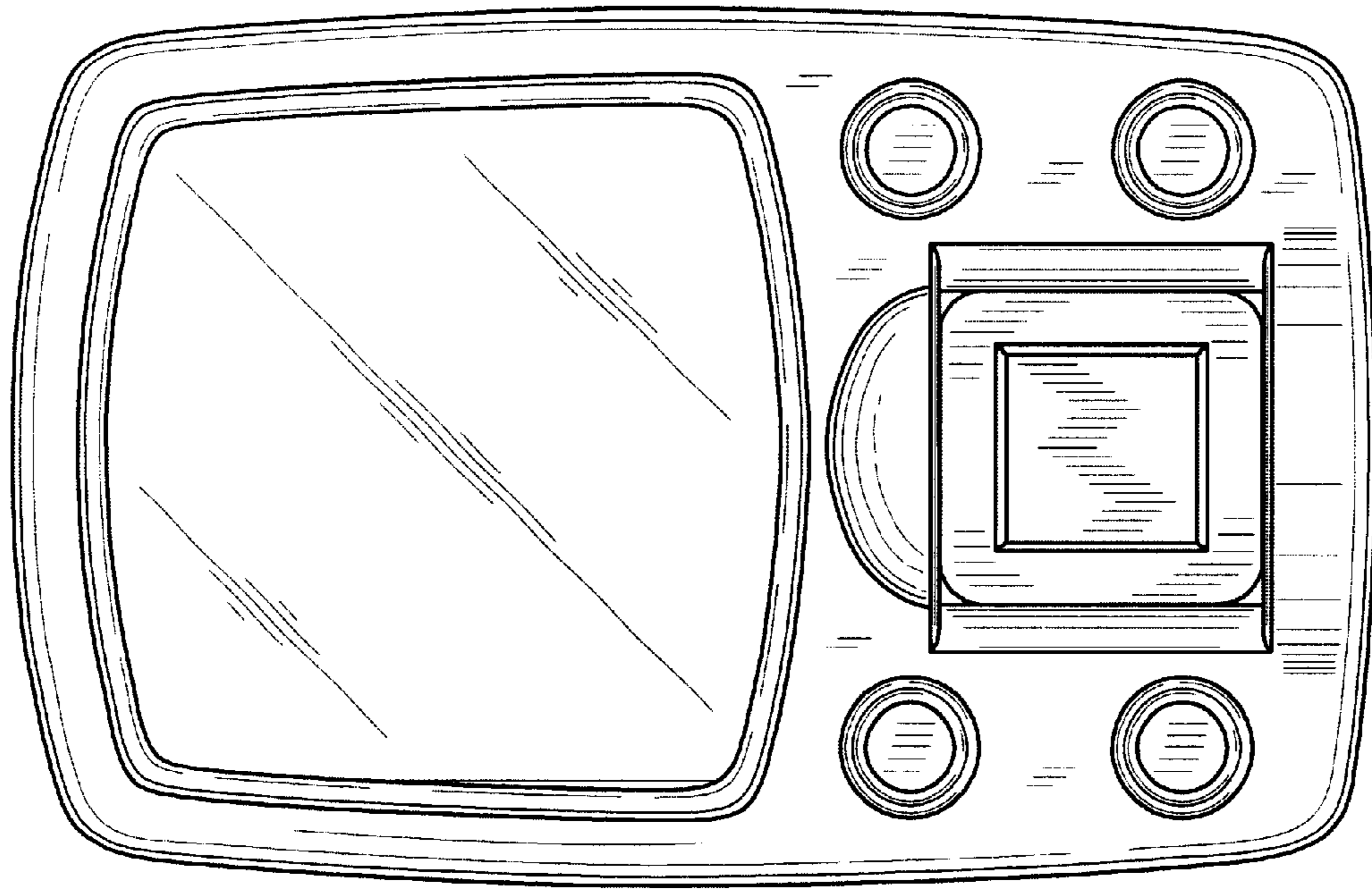


FIG. 2

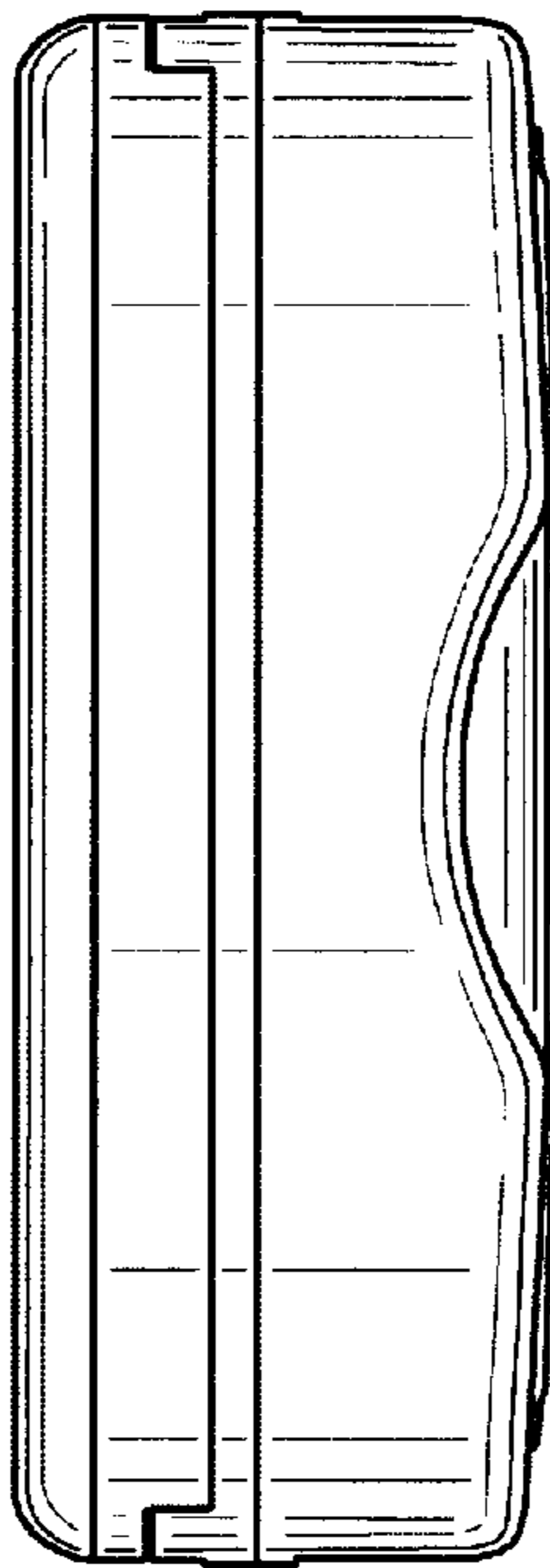


FIG. 3

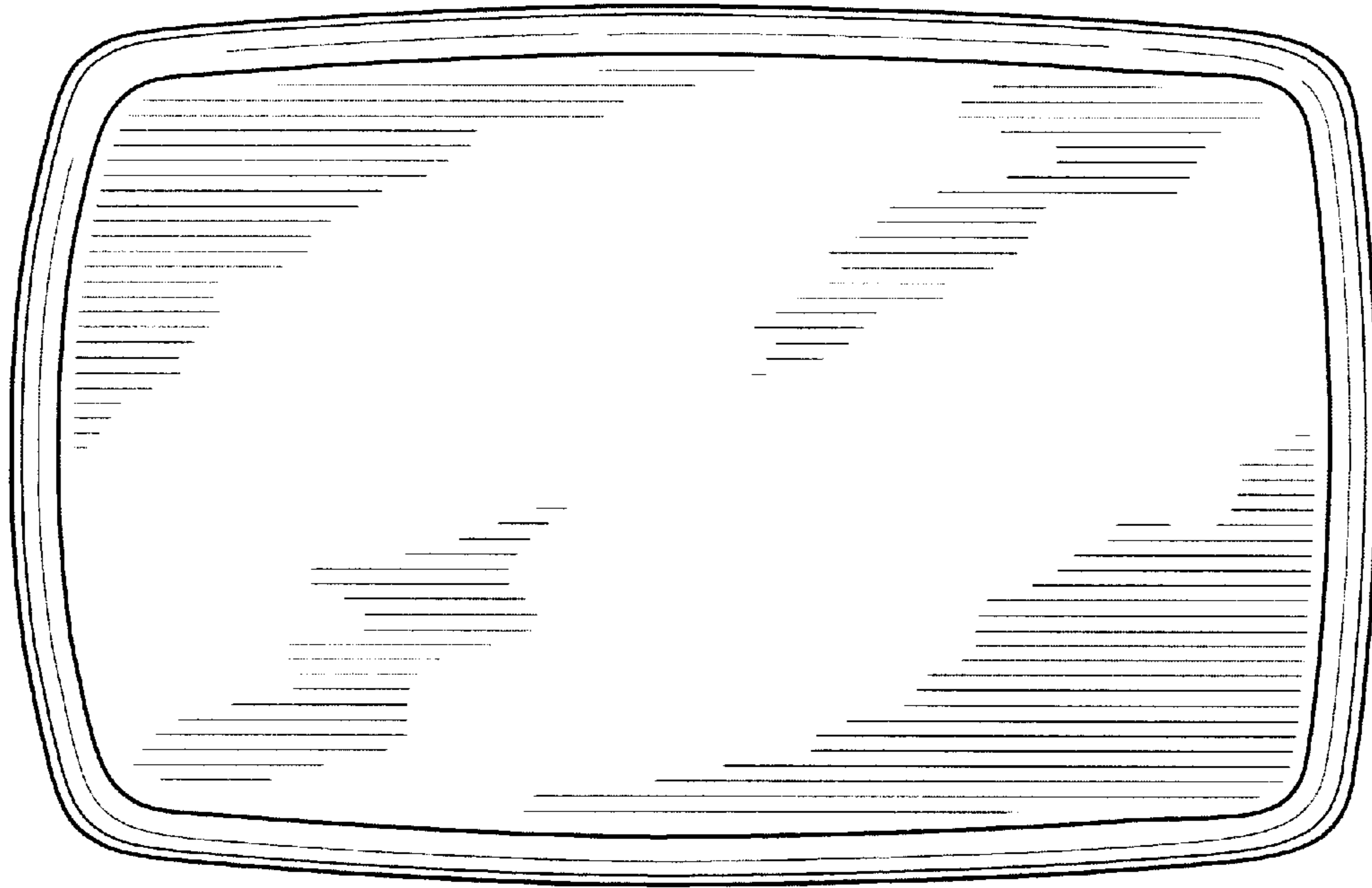


FIG. 4

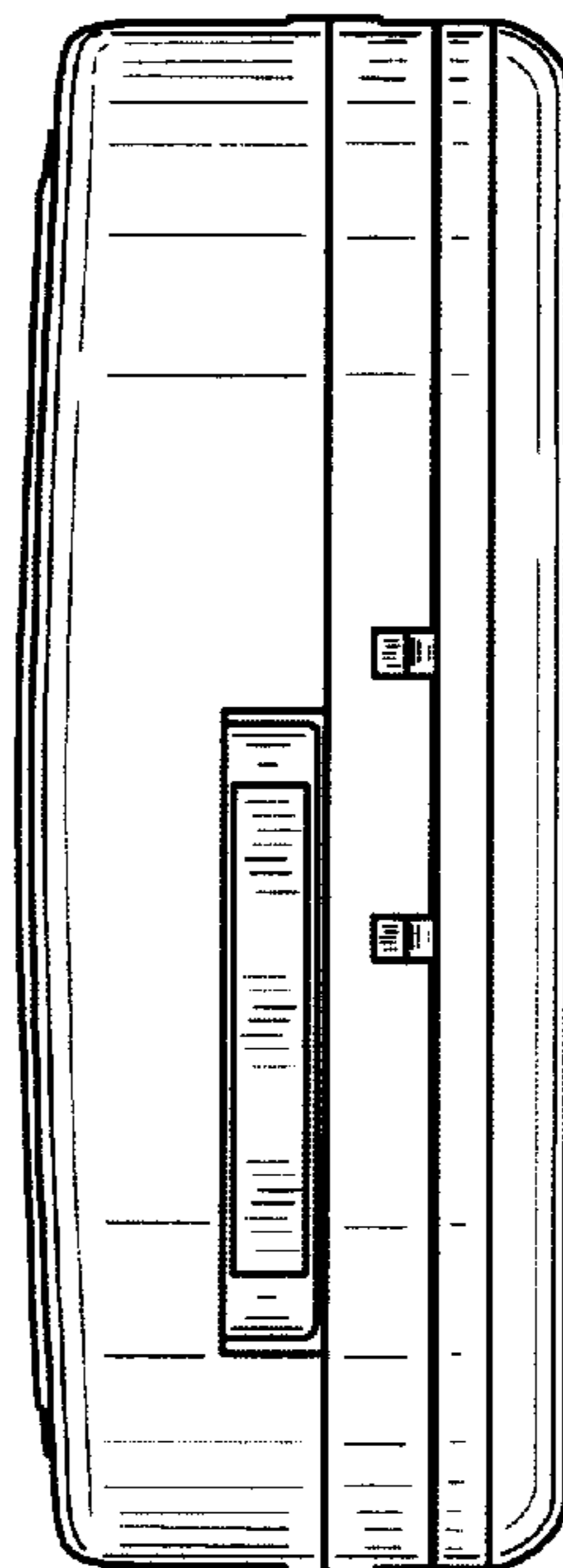


FIG. 5

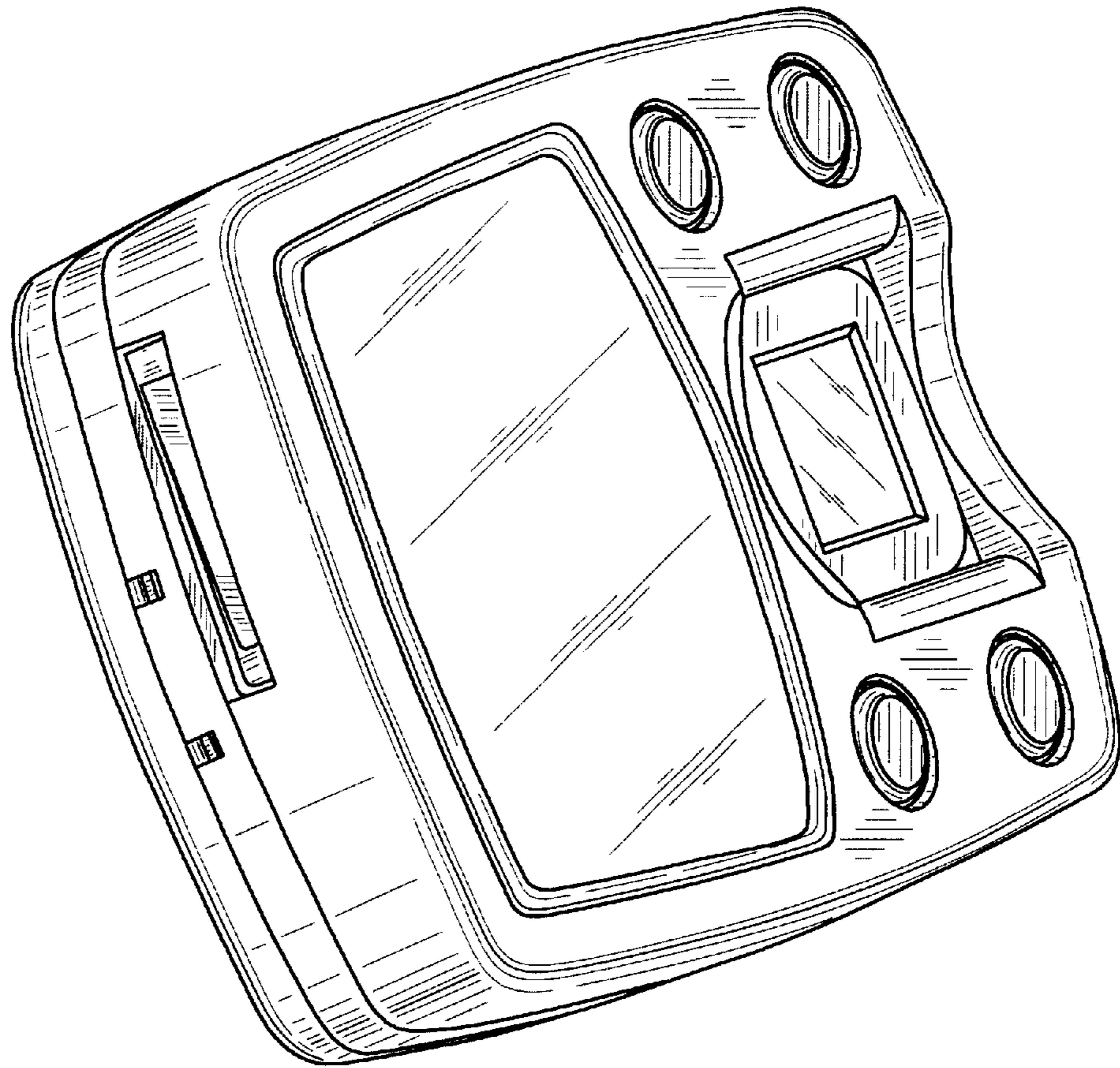


FIG. 6

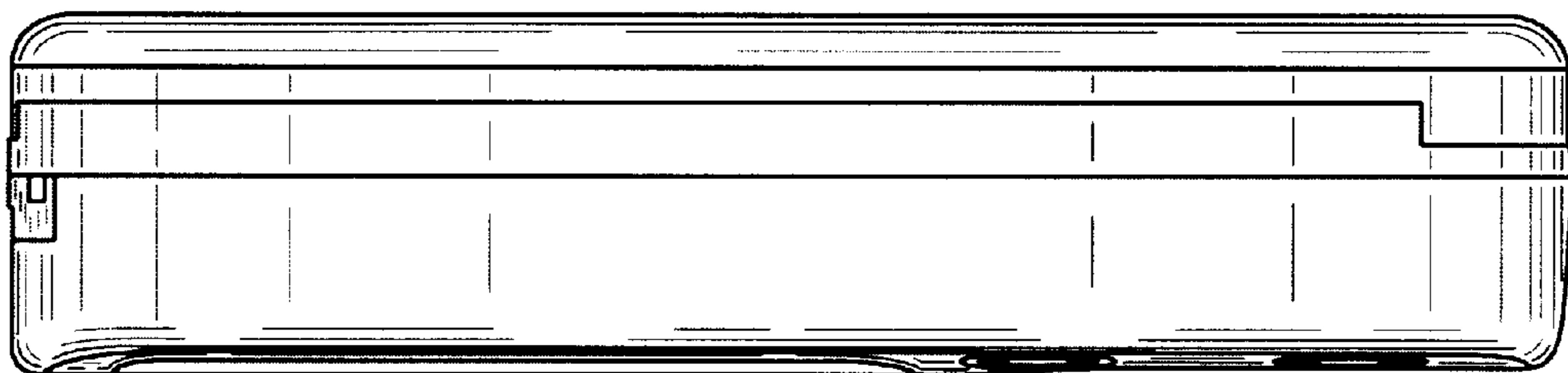


FIG. 7