



US00D511112S

(12) **United States Design Patent**
Takada

(10) **Patent No.:** **US D511,112 S**
(45) **Date of Patent:** **** Nov. 1, 2005**

(54) **ELECTRICAL CURRENT SENSORS**

(75) Inventor: **Hiroto Takada**, Kanagawa-Prefecture (JP)

(73) Assignee: **Liaisons Electroniques-Mecaniques LEM S.A.**, Geneva (CH)

(**) Term: **14 Years**

(21) Appl. No.: **29/195,920**

(22) Filed: **Dec. 18, 2003**

(30) **Foreign Application Priority Data**

Jul. 10, 2003 (CH) 129797

(51) **LOC (8) Cl.** **10-04**

(52) **U.S. Cl.** **D10/75**

(58) **Field of Search** D10/75; 324/117 H, 324/117 R

(56) **References Cited**

U.S. PATENT DOCUMENTS

- D367,013 S * 2/1996 Cattaneo D10/75
- D401,171 S * 11/1998 Cattaneo D10/75
- D494,078 S * 8/2004 Vuillermoz D10/75

* cited by examiner

Primary Examiner—Antoine D. Davis

(74) *Attorney, Agent, or Firm*—Woodard, Emhardt, Moriarty McNett & Henry LLP

(57) **CLAIM**

The ornamental design for an electrical current sensors, as shown and described.

DESCRIPTION

FIG. 1 is a perspective front view of the electrical current sensor, showing my new design.

FIG. 2 is a perspective rear view of the electrical current sensor.

FIG. 3 is a rear view of the electrical current sensor.

FIG. 4 is a plan view of the electrical current sensor.

FIG. 5 is a left side view of the electrical current sensor.

FIG. 6 is a front view of the electrical current sensor.

FIG. 7 is a right side view of the electrical current sensor.

FIG. 8 is an underneath plan view of the electrical current sensor.

FIG. 9 is a perspective view of the electrical current sensor.

FIG. 10 is a perspective rear view of the electrical current sensor.

FIG. 11 is a rear view of the electrical current sensor.

FIG. 12 is a plan view of the electrical current sensor.

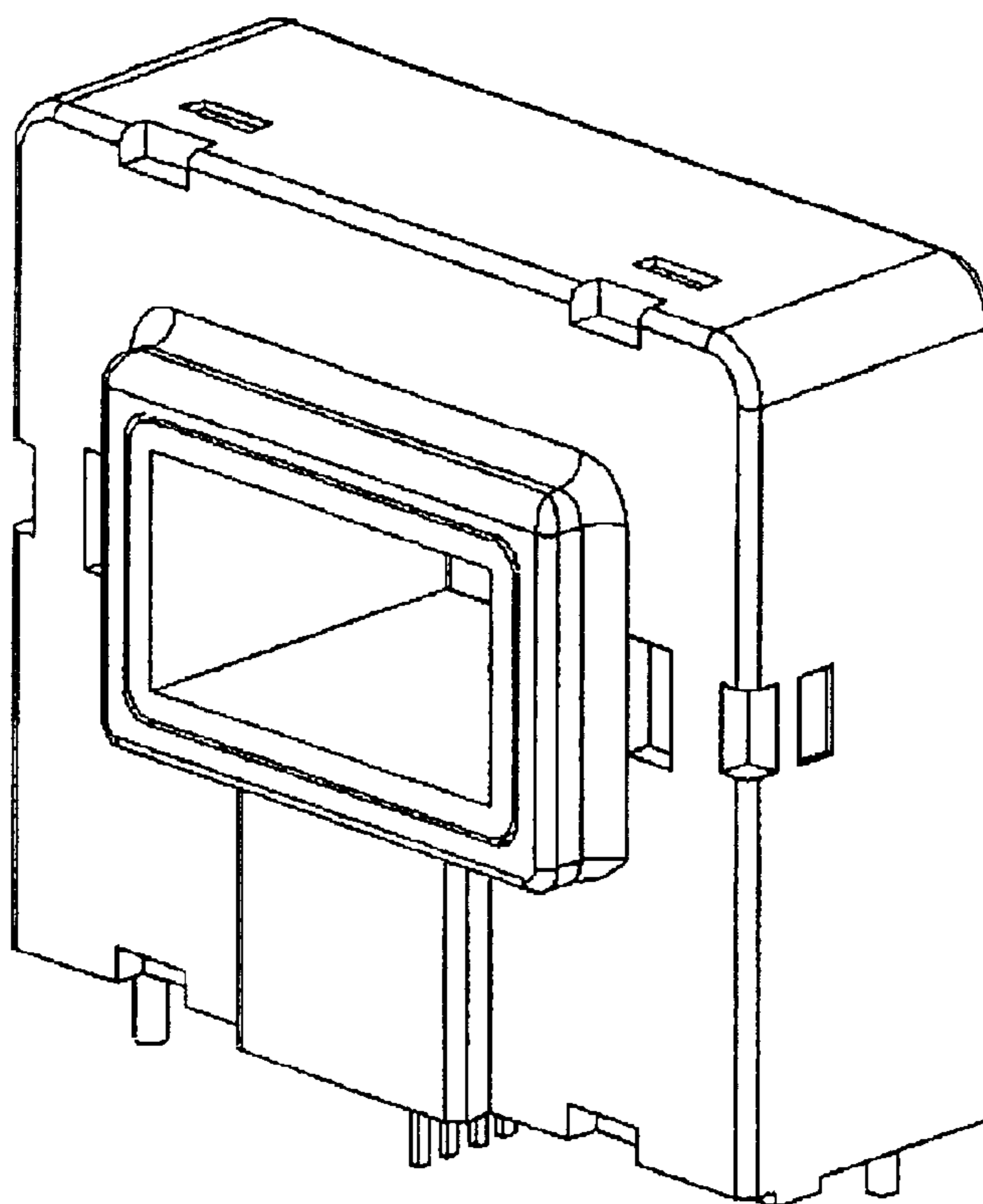
FIG. 13 is a left side view of the electrical current sensor.

FIG. 14 is a front view of the electrical current sensor.

FIG. 15 is a right side view of the electrical current sensor; and,

FIG. 16 is an underneath plan view of the electrical current sensor.

1 Claim, 4 Drawing Sheets



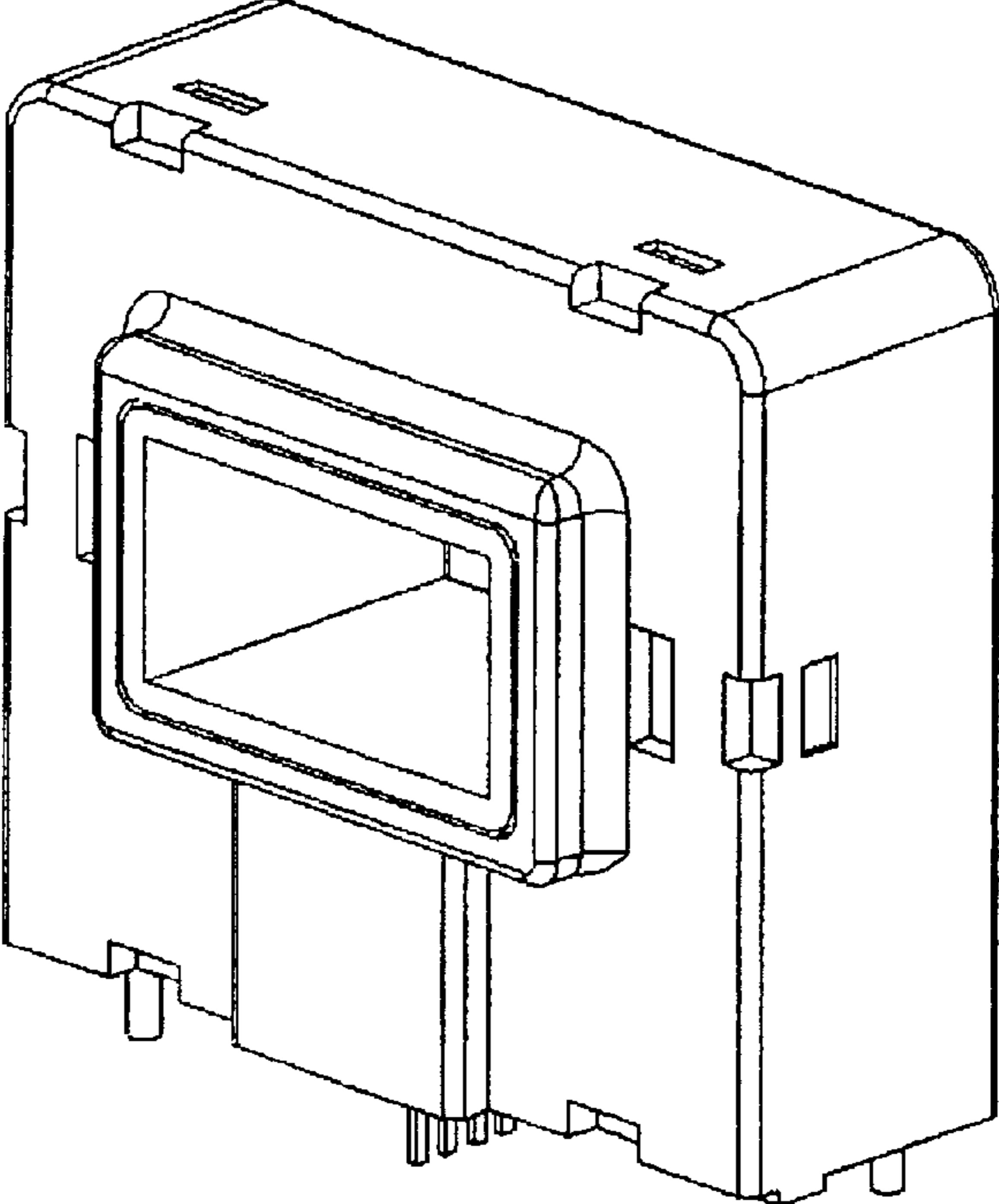


Fig. 1

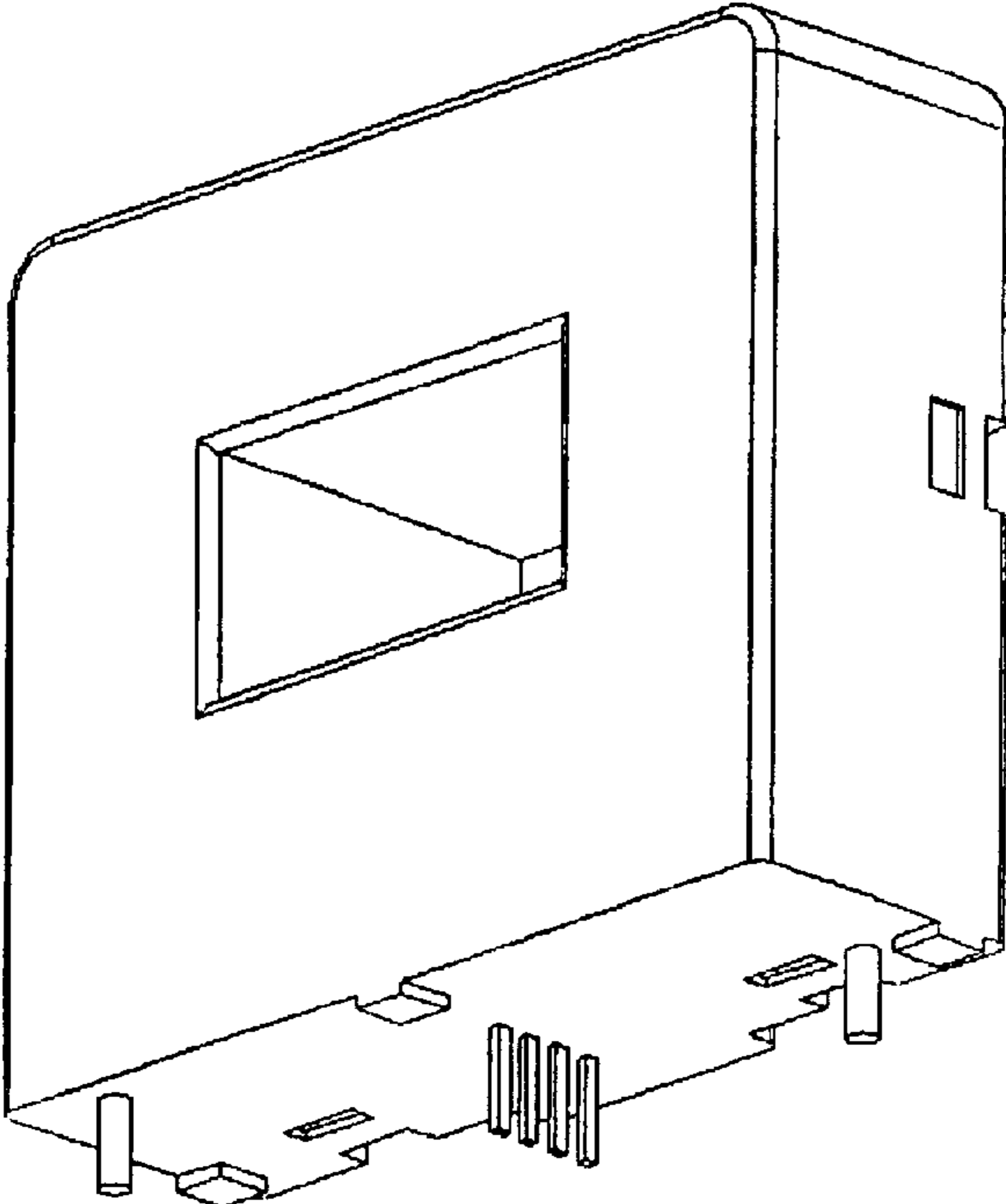


Fig. 2

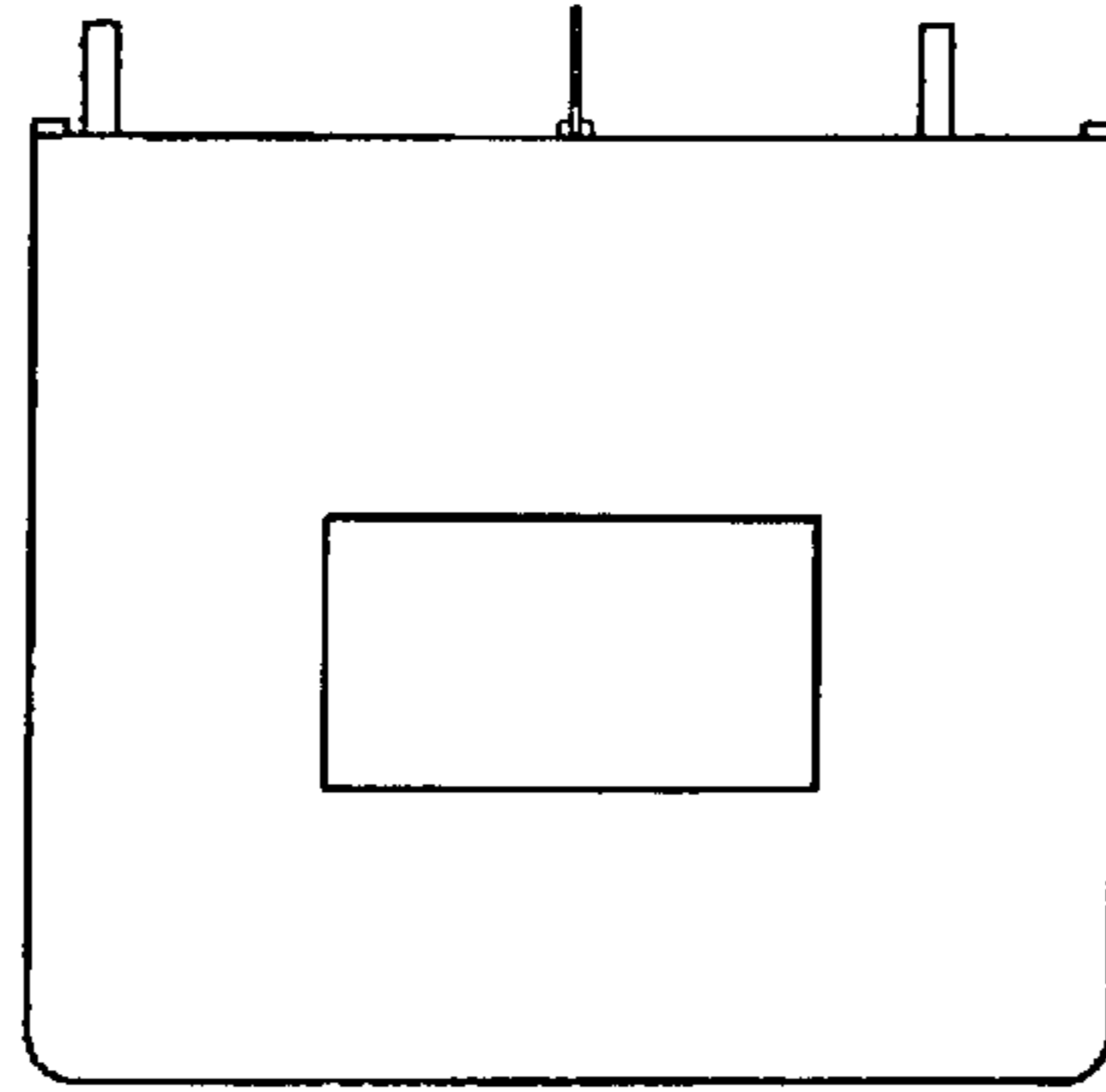


Fig. 3

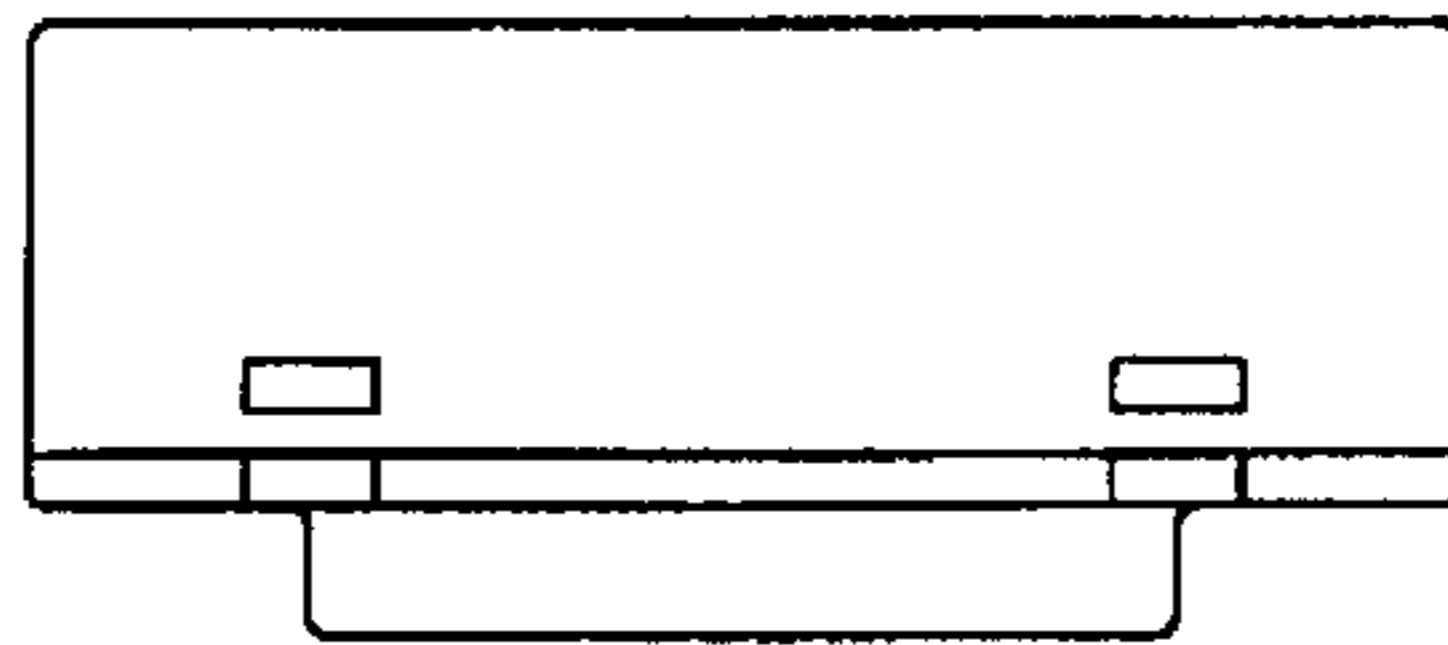


Fig. 4

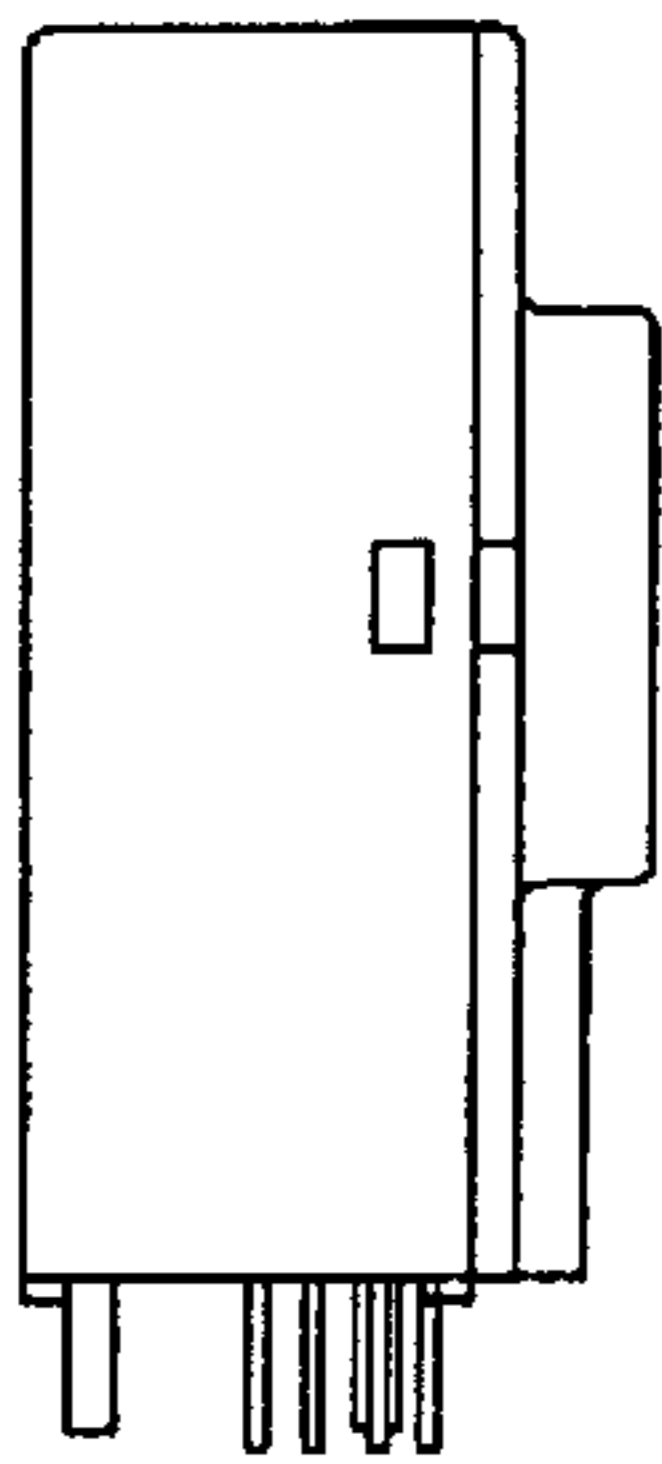


Fig. 5

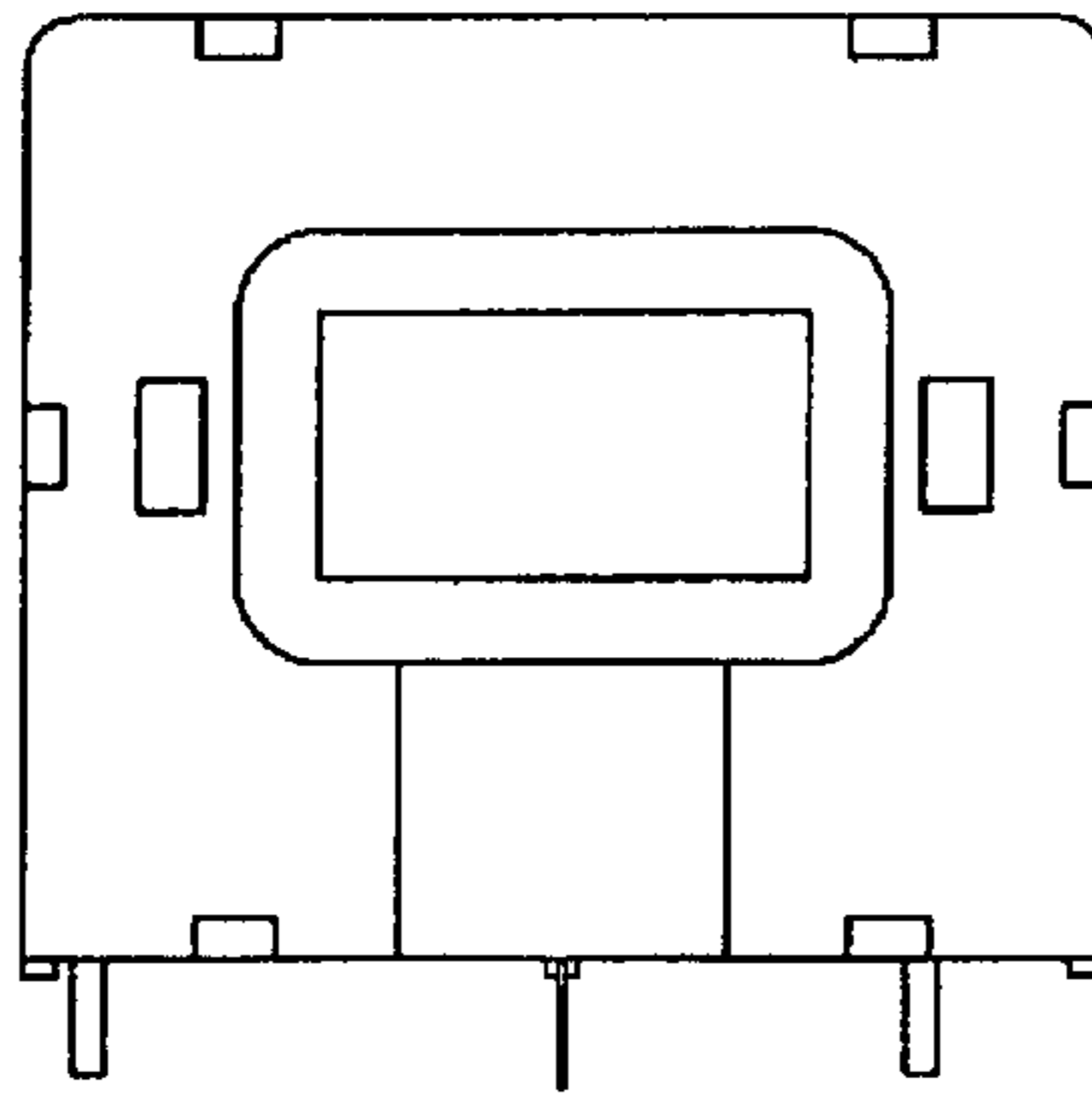


Fig. 6

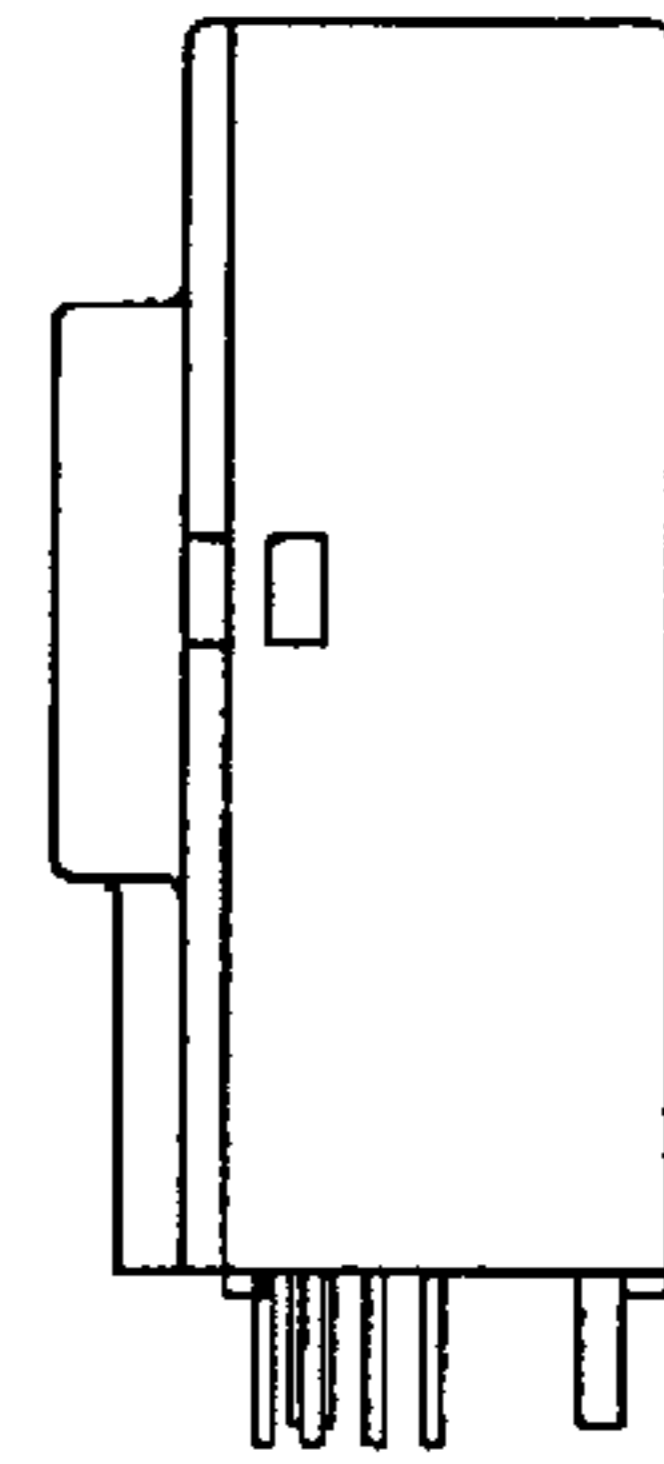


Fig. 7

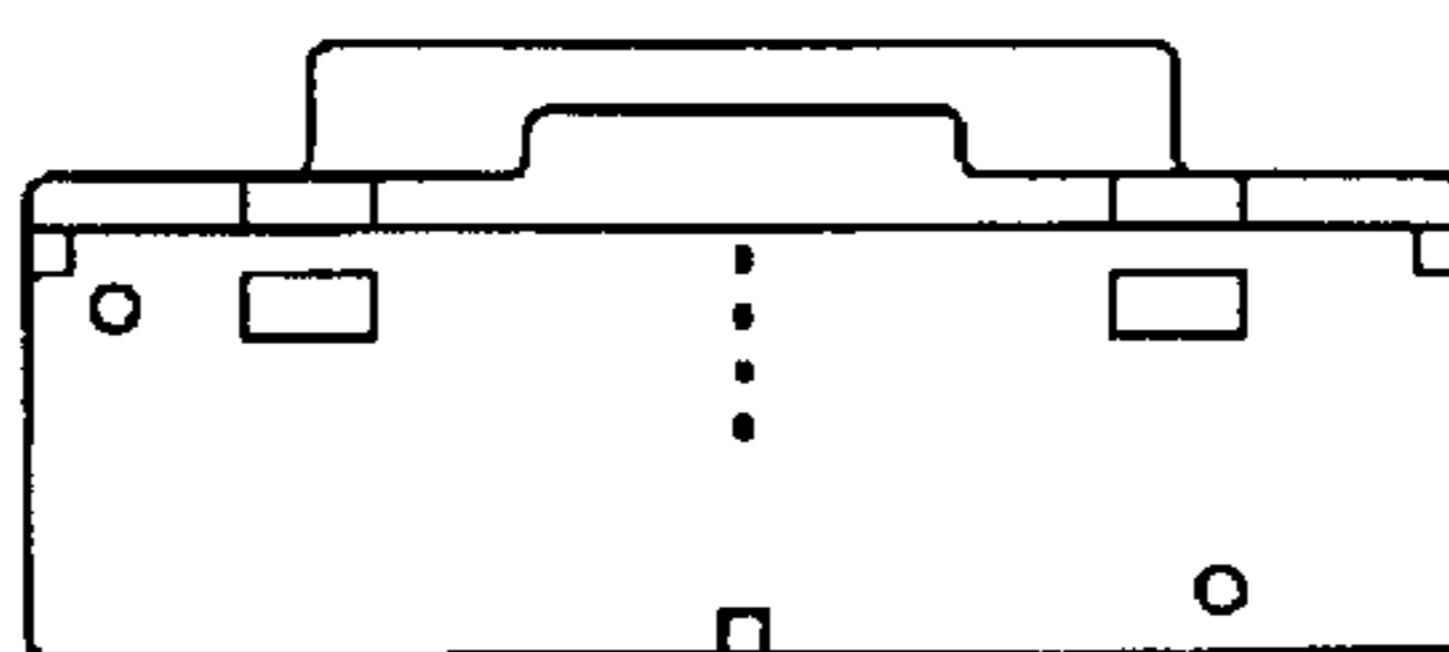


Fig. 8

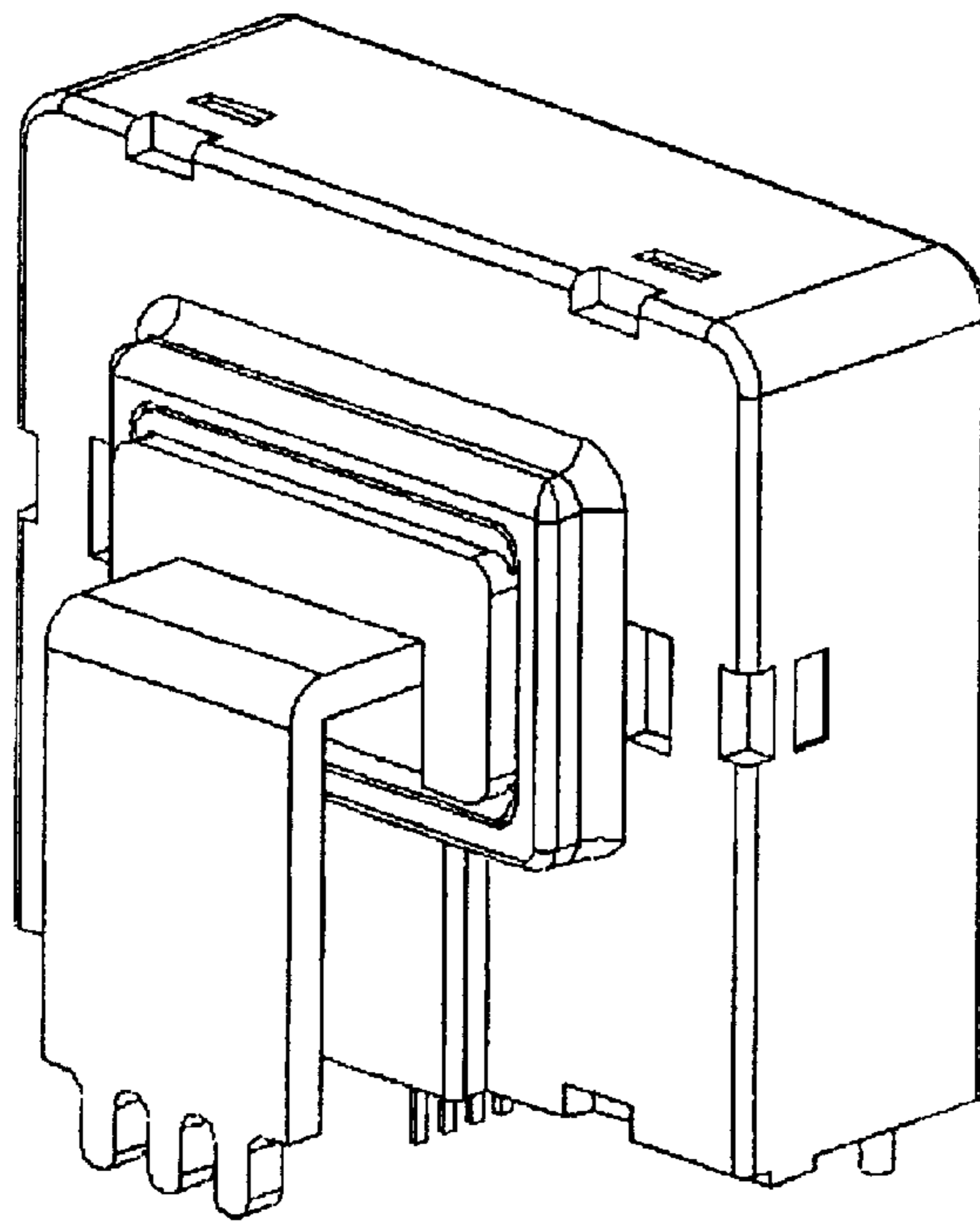


Fig. 9

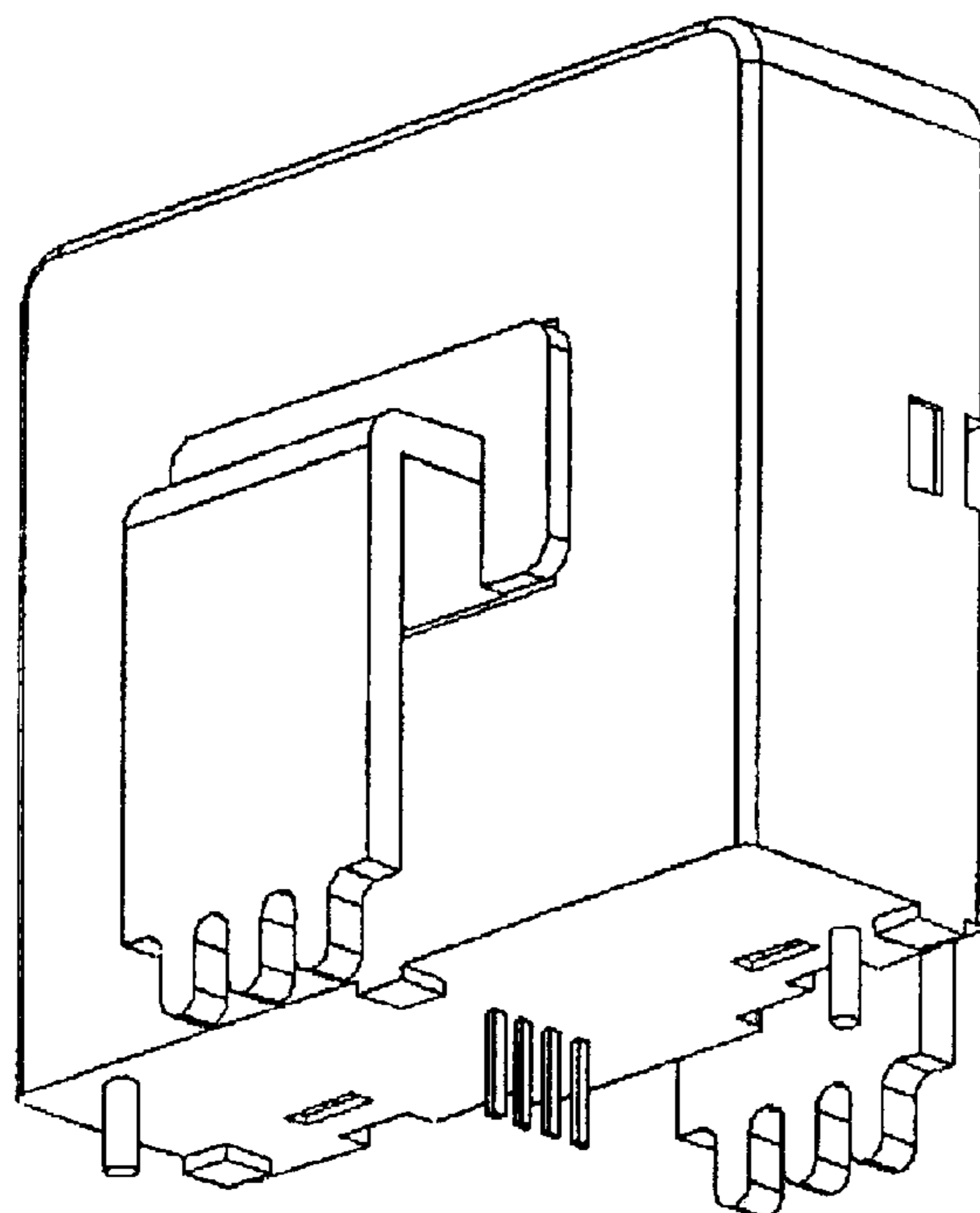


Fig. 10

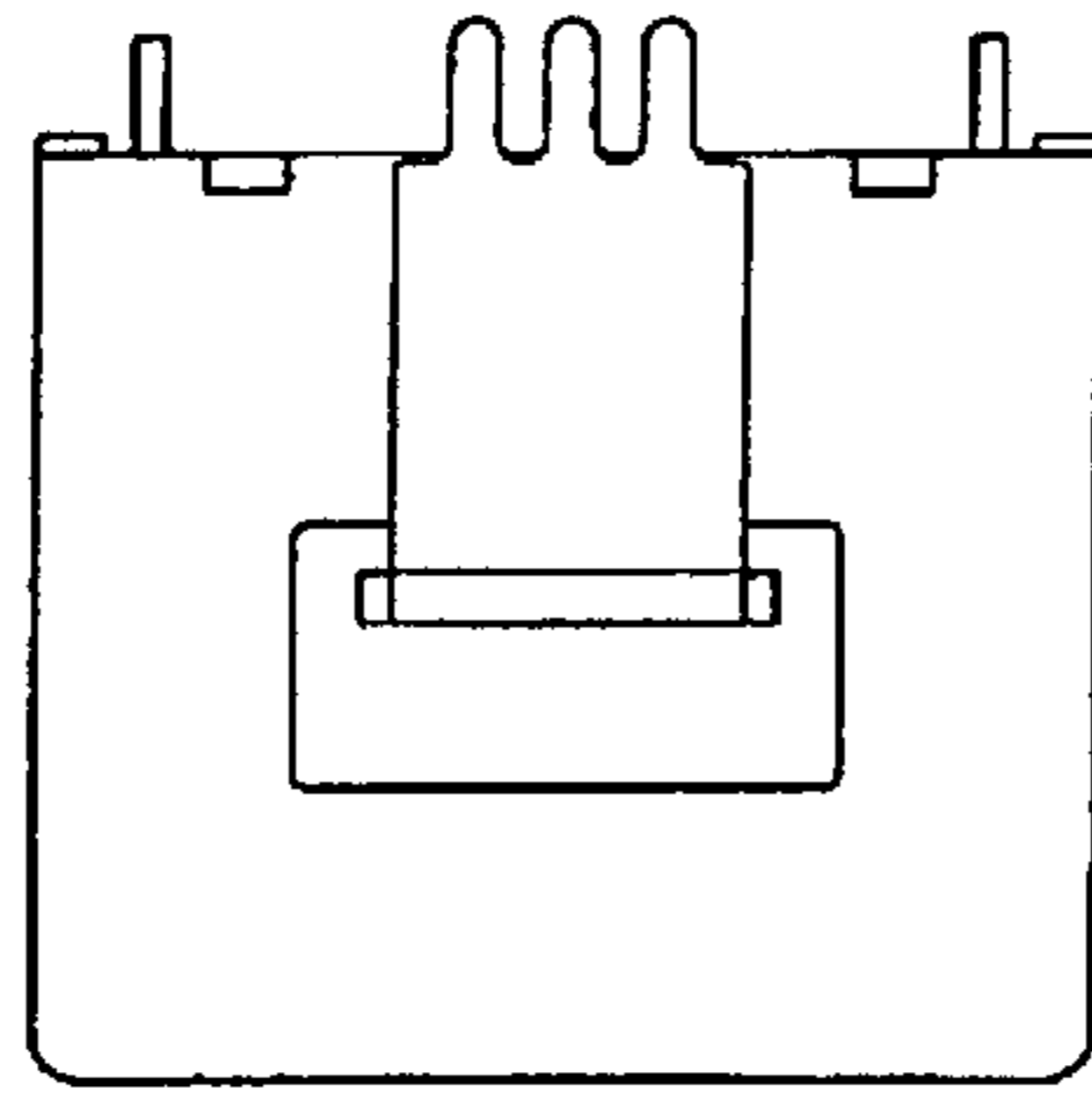


Fig. 11

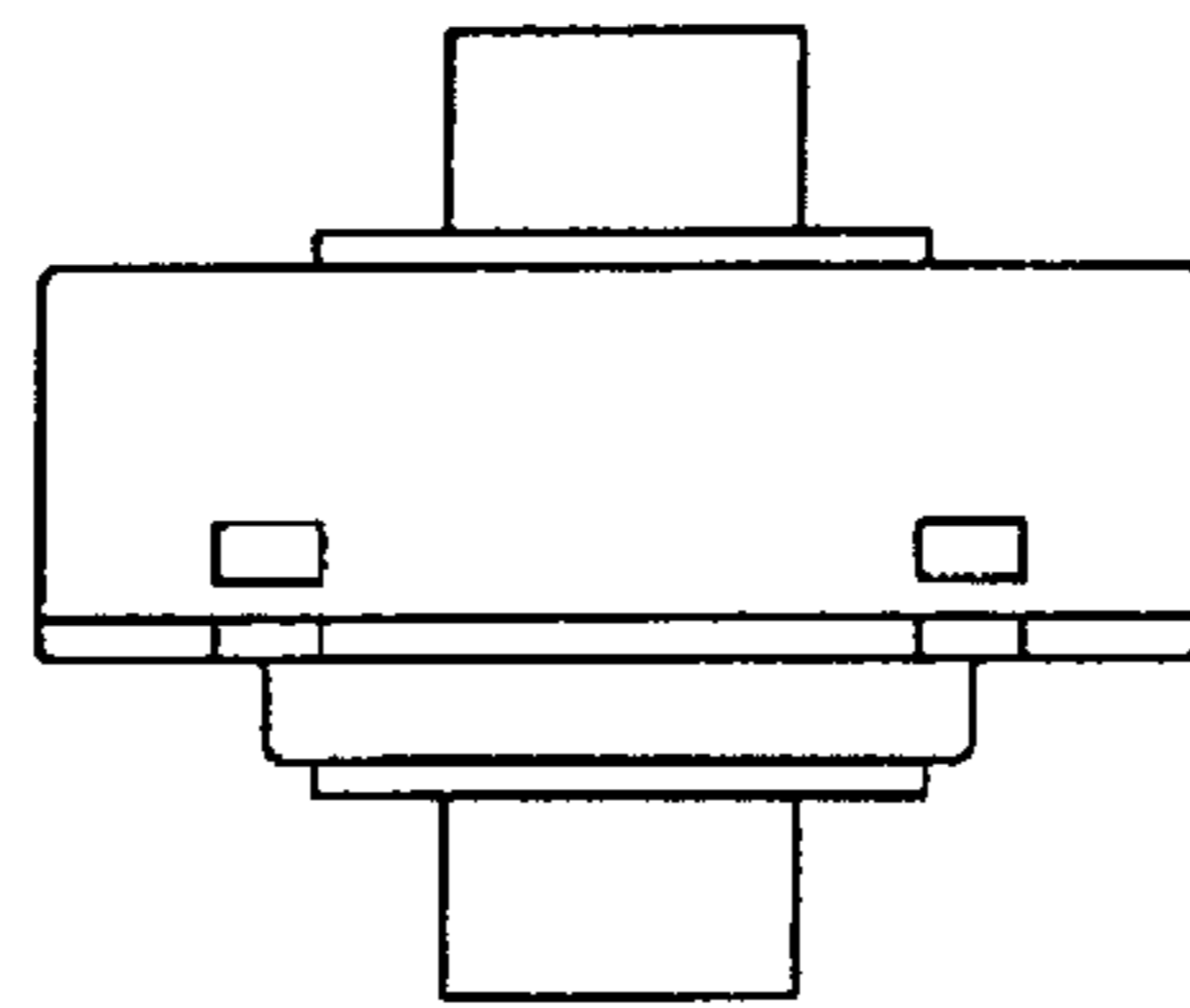


Fig. 12

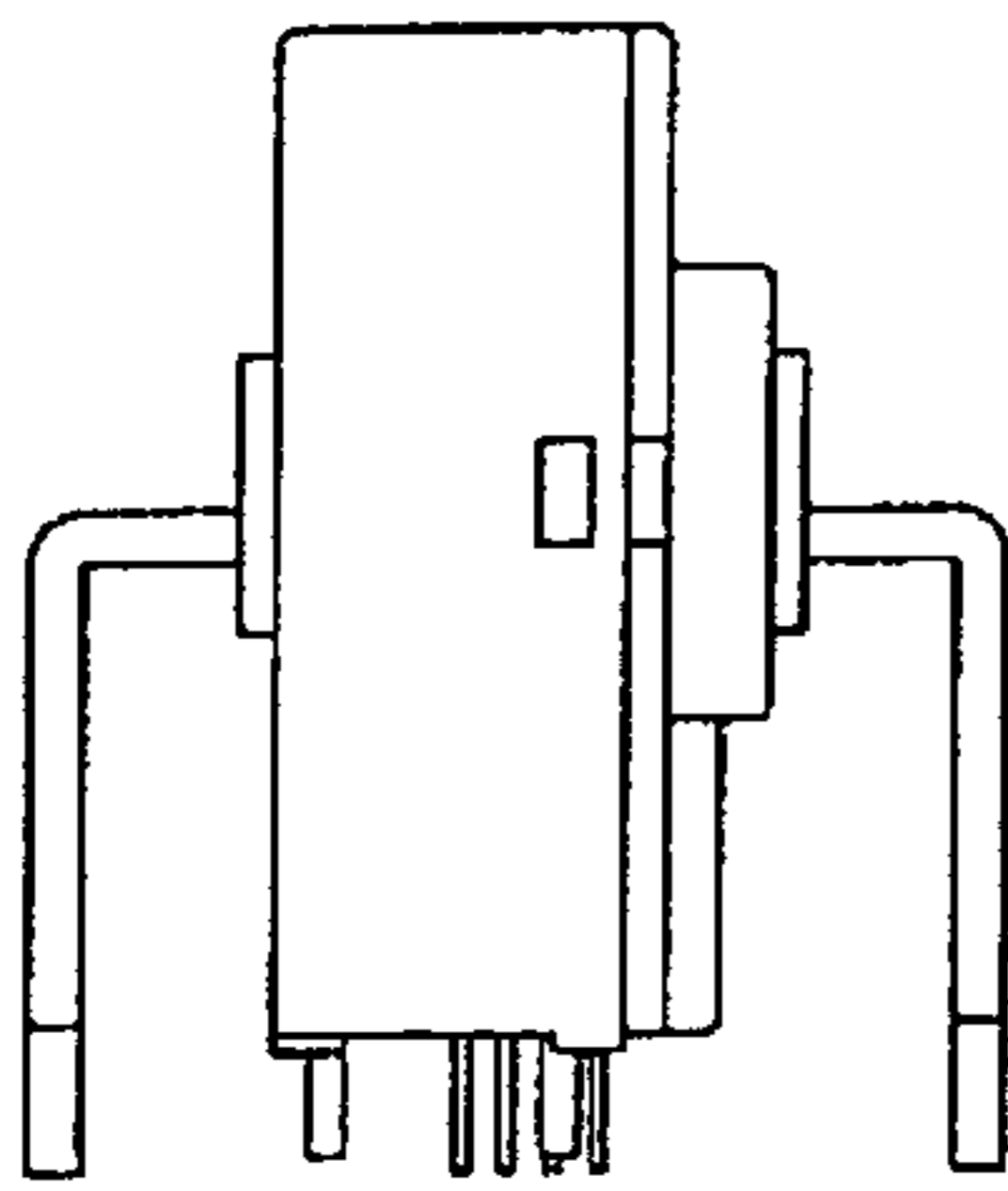


Fig. 13

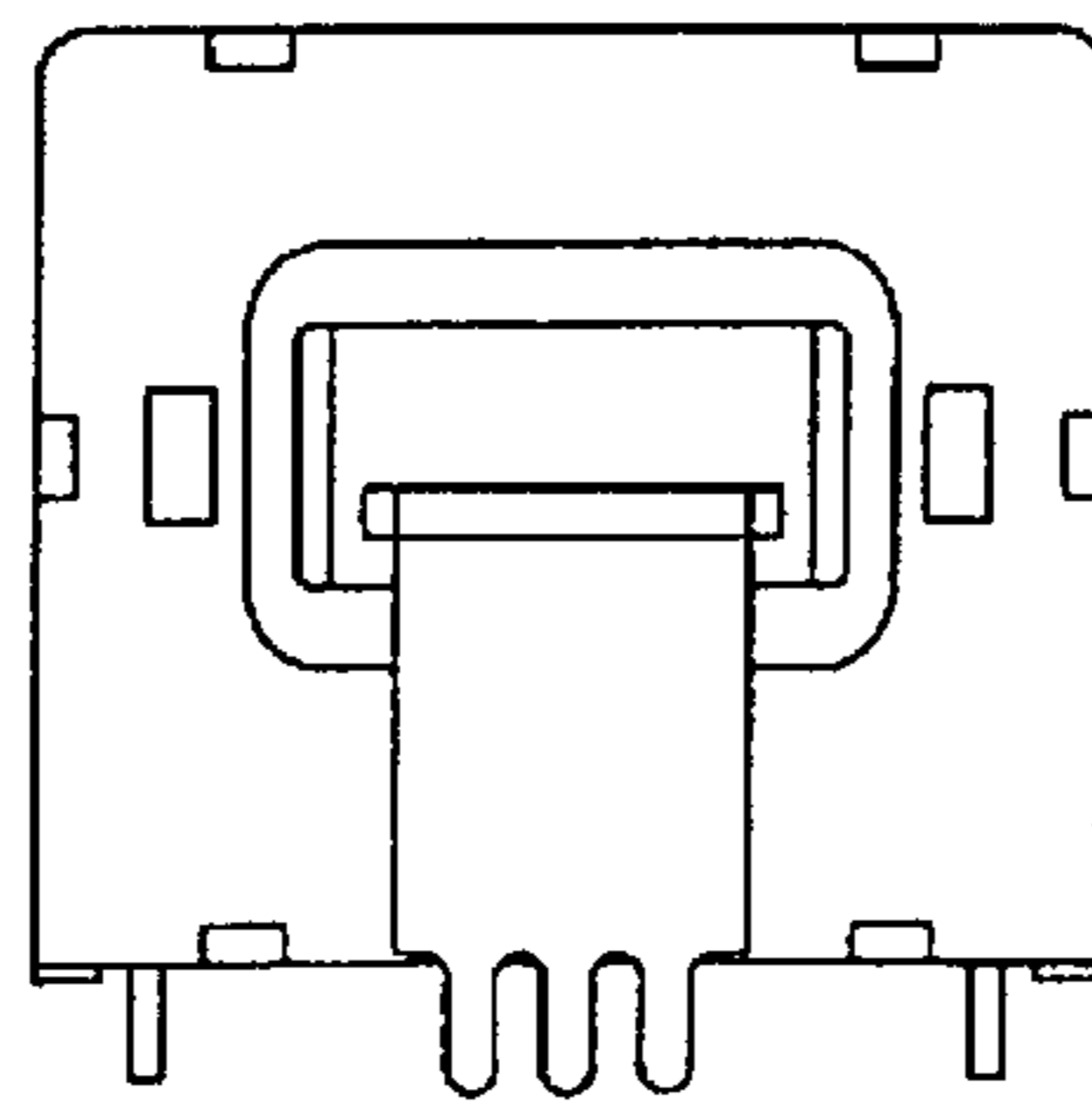


Fig. 14

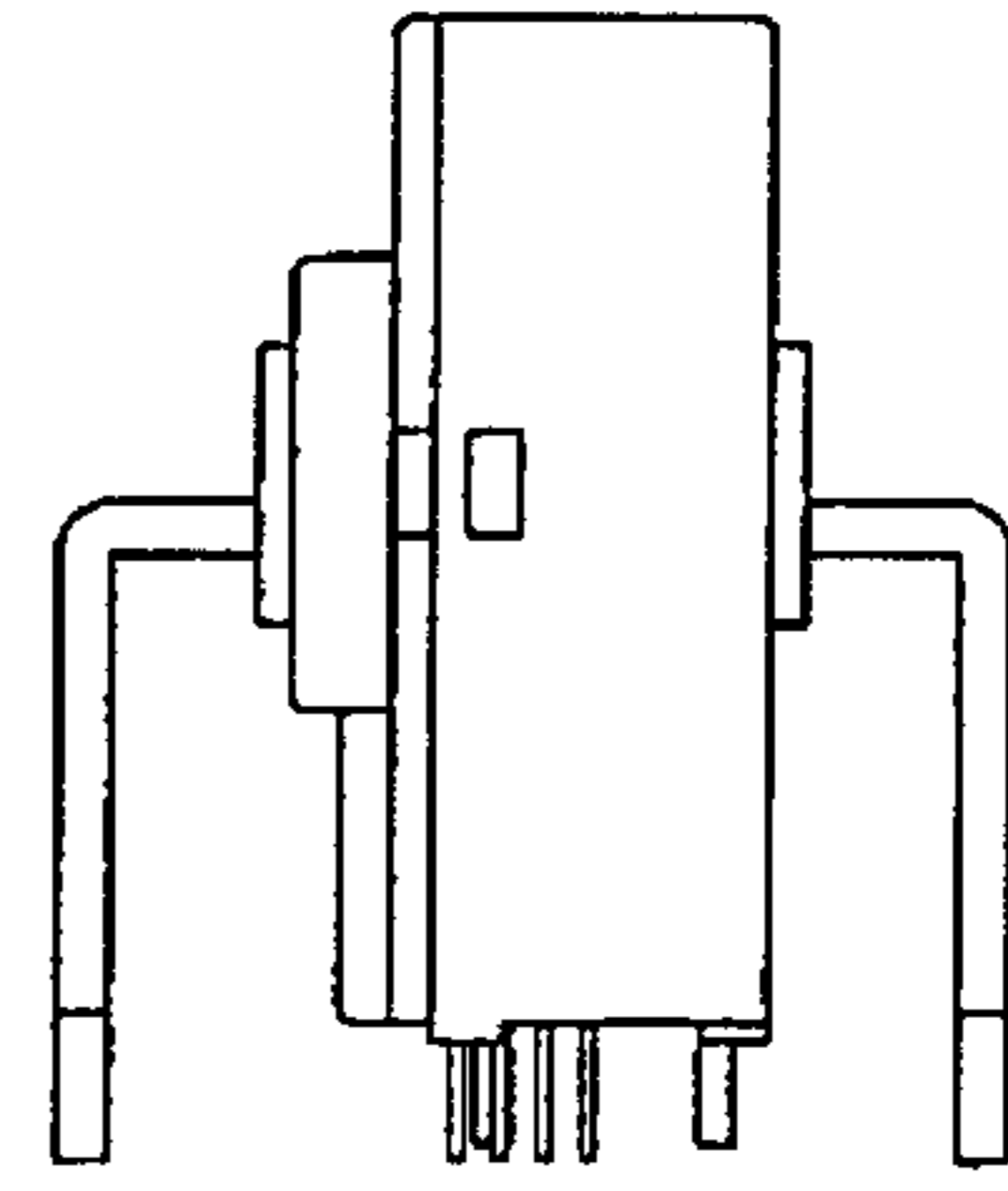


Fig. 15

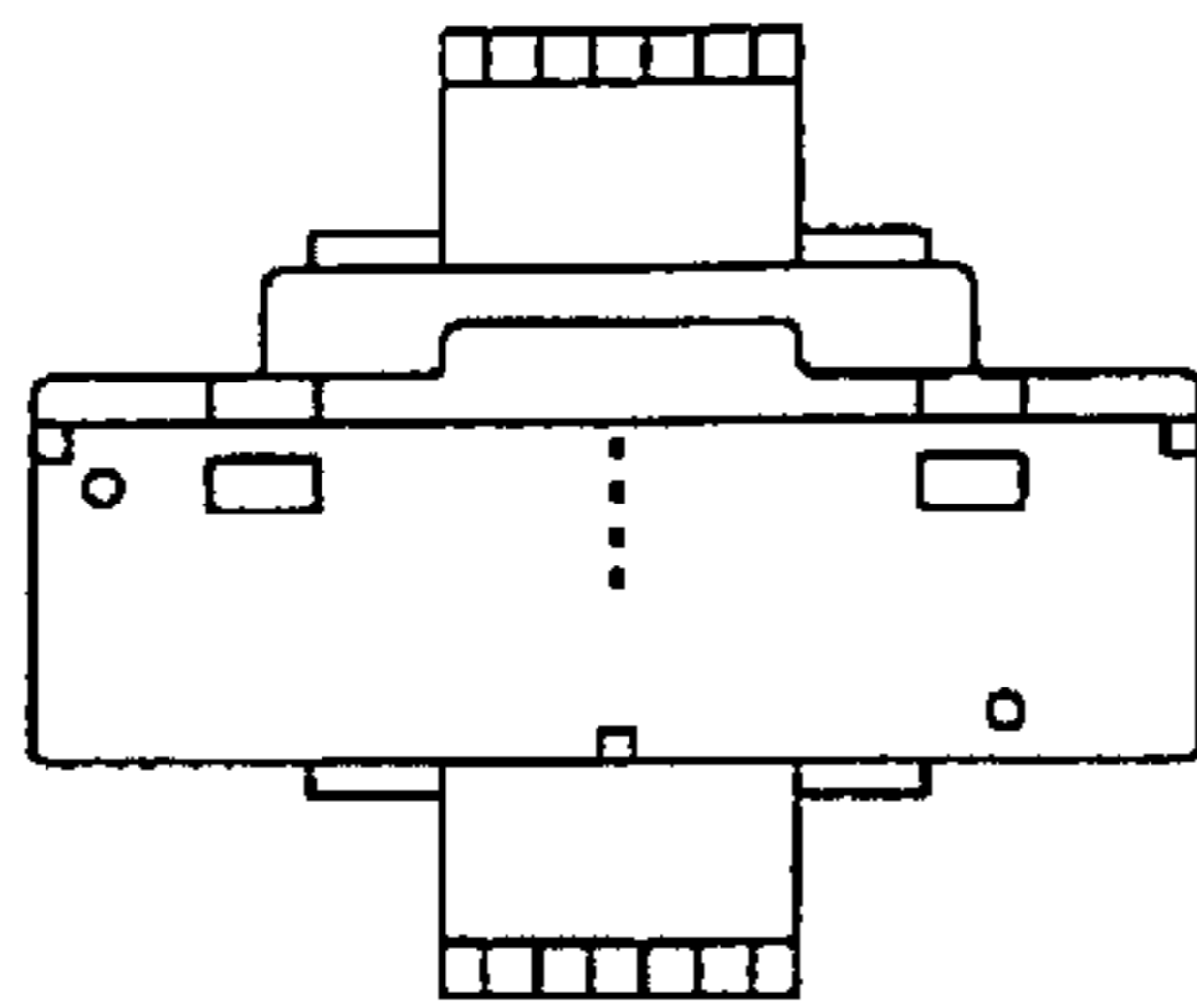


Fig. 16