



US00D511107S

(12) **United States Design Patent** (10) **Patent No.:** **US D511,107 S**  
**Frank** (45) **Date of Patent:** **\*\* Nov. 1, 2005**

(54) **PORTION OF A WATCH**  
(75) Inventor: **Philip A. Frank**, Portland, OR (US)  
(73) Assignee: **Nike, Inc.**, Beaverton, OR (US)  
(\*\*) Term: **14 Years**  
(21) Appl. No.: **29/204,610**  
(22) Filed: **May 3, 2004**  
(51) **LOC (8) Cl.** ..... **10-02**  
(52) **U.S. Cl.** ..... **D10/30**  
(58) **Field of Search** ..... D10/1-39, 122-132;  
368/276-277, 223, 281-282, 228-229,  
285, 239-242, 28-30, 41-44; D11/3-25;  
224/164, 168, 178; 63/1.1, 3, 5, 11

4,178,751 A 12/1979 Liautaud  
4,396,298 A 8/1983 Ripley  
D276,415 S 11/1984 Ecoffey  
D279,552 S 7/1985 Maglioli  
D285,543 S 9/1986 Moser  
D286,510 S 11/1986 Schoepfer  
4,627,739 A 12/1986 Shingo et al.  
D297,622 S 9/1988 Lee  
D298,610 S \* 11/1988 Young ..... D10/32  
D301,015 S 5/1989 Nakai  
D302,797 S 8/1989 Glauser  
4,916,679 A 4/1990 Agnello  
4,958,279 A 9/1990 Proellochs  
D316,050 S 4/1991 Weil  
5,086,418 A 2/1992 Marcus  
D330,167 S 10/1992 Vincent

(Continued)

**FOREIGN PATENT DOCUMENTS**

EP 189372 7/1986  
EP 196996 10/1986  
JP 62-239081 10/1987

*Primary Examiner*—Nelson C. Holtje  
(74) *Attorney, Agent, or Firm*—Banner & Witcoff, Ltd.

(56) **References Cited**  
**U.S. PATENT DOCUMENTS**

D77,638 S 2/1929 Conard  
1,752,128 A 3/1930 Vetter  
D103,455 S 3/1937 Katz  
2,472,351 A 6/1949 Tyler  
D158,918 S \* 6/1950 Winn ..... D10/32  
2,584,270 A 2/1952 Hucknall  
2,692,070 A 10/1954 Kammer  
2,952,967 A 10/1960 Nussle  
D217,012 S \* 3/1970 Cowan ..... D10/38  
3,545,198 A 12/1970 Loftus  
D238,254 S 12/1975 Sulek  
D238,341 S \* 1/1976 Cruse ..... D10/38  
3,968,643 A 7/1976 Curtil  
D243,930 S 4/1977 Cruse  
D244,671 S \* 6/1977 Cozza ..... D10/38  
D245,674 S \* 9/1977 Sulek et al. .... D10/38  
D245,766 S 9/1977 Cruse  
4,060,185 A 11/1977 Kuroda  
D246,765 S 12/1977 Sulek  
D247,224 S 2/1978 Pemberton  
D250,881 S 1/1979 Liautaud  
D251,829 S \* 5/1979 Sulek ..... D10/32  
D252,450 S \* 7/1979 Sulek et al. .... D10/32  
D253,636 S 12/1979 Sulek

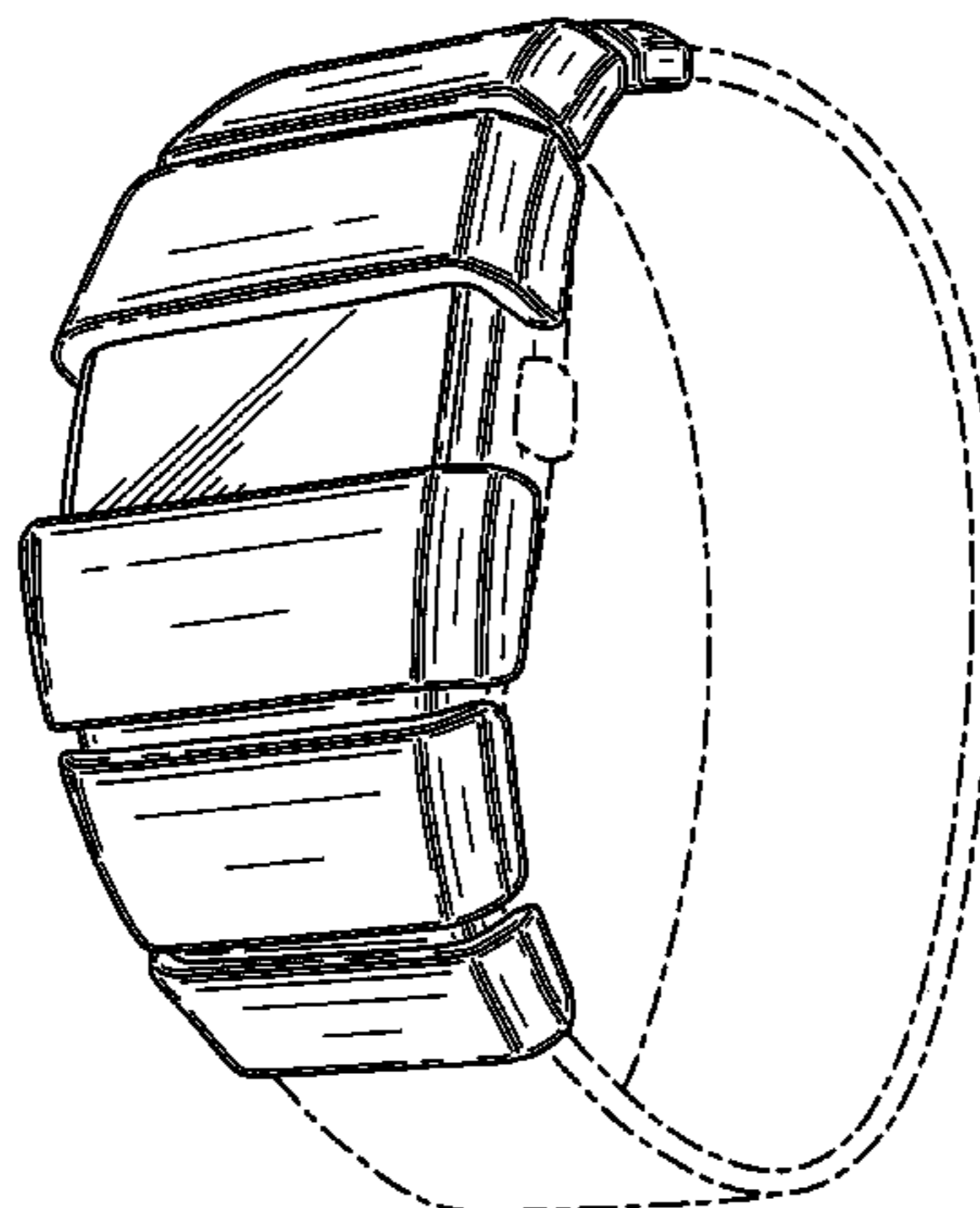
(57) **CLAIM**

The ornamental design for a portion of a watch, as shown and described.

**DESCRIPTION**

FIG. 1 is a perspective view of a portion of a watch showing my new design;  
FIG. 2 is a front view thereof;  
FIG. 3 is a top view thereof, the bottom view being a mirror image thereof; and,  
FIG. 4 is a right side view thereof, the left side view being a mirror image thereof.  
The broken line showing of the inside of the watch, the side buttons, and the remainder of the watch band is for illustrative purposes only and forms no part of the claimed design.

**1 Claim, 3 Drawing Sheets**



# US D511,107 S

Page 2

## U.S. PATENT DOCUMENTS

5,228,012 A	7/1993	Seager		D436,046 S	1/2001	Giardiello	
D352,007 S	11/1994	Boucheron		D439,528 S	3/2001	Eliav	
D355,132 S	2/1995	Williams		D441,665 S	* 5/2001	Giardiello .....	D10/32
D355,371 S	2/1995	Strasser		D443,221 S	6/2001	Jacob et al.	
D359,916 S	7/1995	Iida		D445,041 S	7/2001	Tan et al.	
D360,591 S	* 7/1995	Karan .....	D10/32	D449,997 S	11/2001	Blauner et al.	
D360,592 S	7/1995	Wermekes		D450,600 S	11/2001	Scarinzi	
D361,724 S	8/1995	Nanayakkara		D451,819 S	12/2001	Streltsov	
D364,353 S	11/1995	Staib		D452,173 S	12/2001	Giardiello	
D365,285 S	12/1995	Nanayakkara		D452,174 S	12/2001	Giardiello	
D381,585 S	* 7/1997	Gogniat .....	D10/32	D453,688 S	2/2002	Bodino	
D387,299 S	12/1997	Scortecci et al.		D455,969 S	4/2002	Wilson	
D390,479 S	2/1998	Brandys et al.		D456,283 S	4/2002	Baumann	
D391,174 S	2/1998	Modolo		D456,284 S	4/2002	Wilson	
D391,499 S	3/1998	Houlihan et al.		D456,724 S	5/2002	Wilson	
D392,902 S	3/1998	Mouawad		D457,071 S	5/2002	Blauner et al.	
D394,394 S	5/1998	Bruce et al.		D457,814 S	5/2002	Bodino	
D395,403 S	* 6/1998	Hysek .....	D10/30	D462,624 S	9/2002	Sun	
D398,540 S	9/1998	Lee		D463,987 S	10/2002	Wilson	
D401,512 S	11/1998	Coquerel		D466,488 S	12/2002	Wada et al.	
D404,315 S	1/1999	Azegami		D468,648 S	1/2003	Starck	
D404,654 S	1/1999	Kume et al.		D473,798 S	4/2003	Fu et al.	
D406,773 S	* 3/1999	Gueit et al. ....	D10/32	D474,981 S	5/2003	Wilson	
D413,070 S	8/1999	Charriol		D474,982 S	5/2003	Wilson	
D413,273 S	8/1999	Hartzband		D474,984 S	5/2003	Wilson	
D415,039 S	* 10/1999	Strasser .....	D10/30	D481,959 S	11/2003	Houlihan	
D425,799 S	5/2000	Hysek		6,714,400 B2	3/2004	Guerry et al.	
D427,084 S	6/2000	Ramos, Jr. et al.		D494,873 S	* 8/2004	Junod .....	D10/32
D429,168 S	8/2000	Jannard et al.		2001/0043513 A1	11/2001	Grupp	
D430,496 S	9/2000	Hartzband		2002/0064100 A1	5/2002	Della Santa	
D434,678 S	12/2000	Raetz		2003/0174589 A1	9/2003	Kawamata et al.	

\* cited by examiner

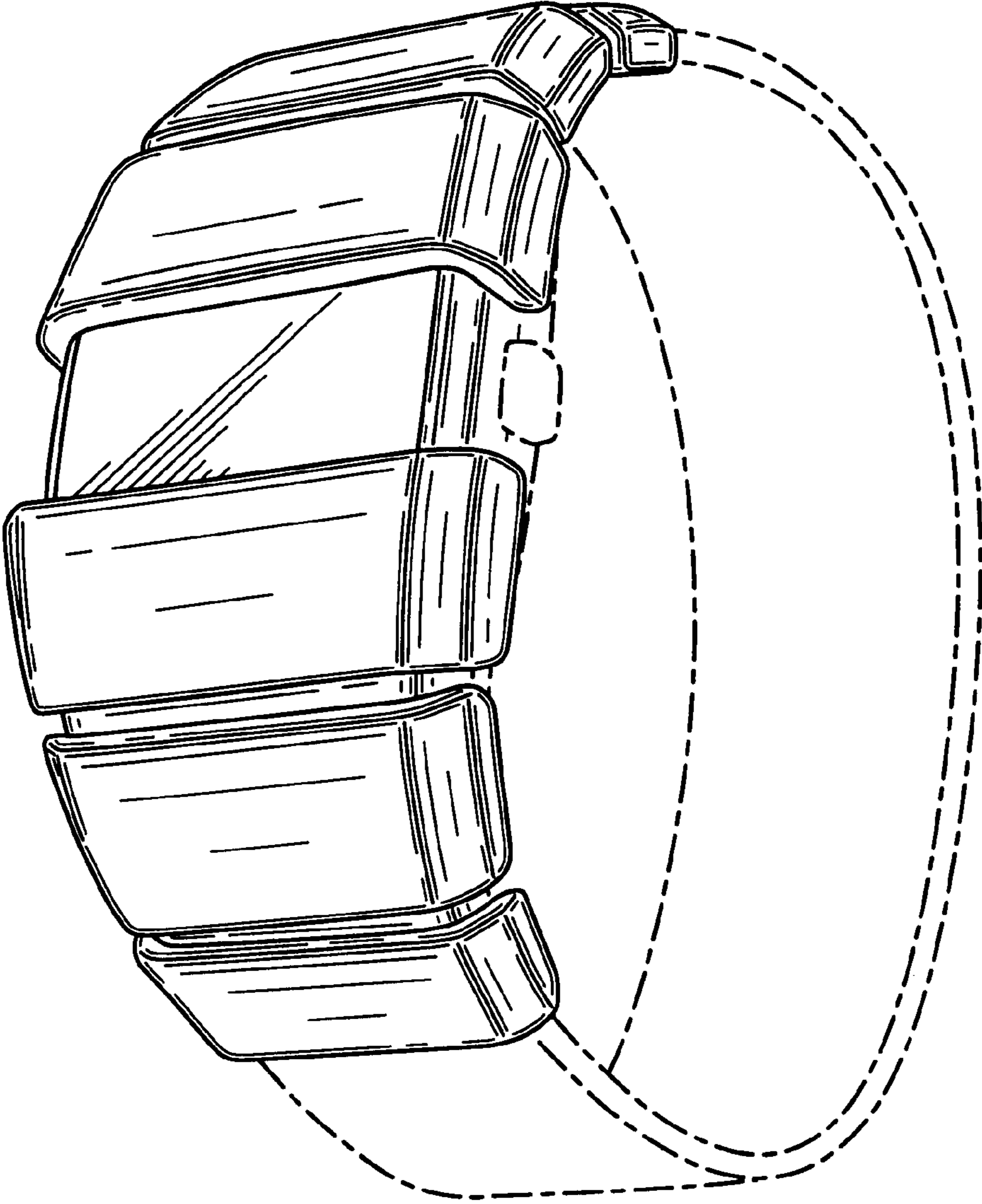


FIG. 1

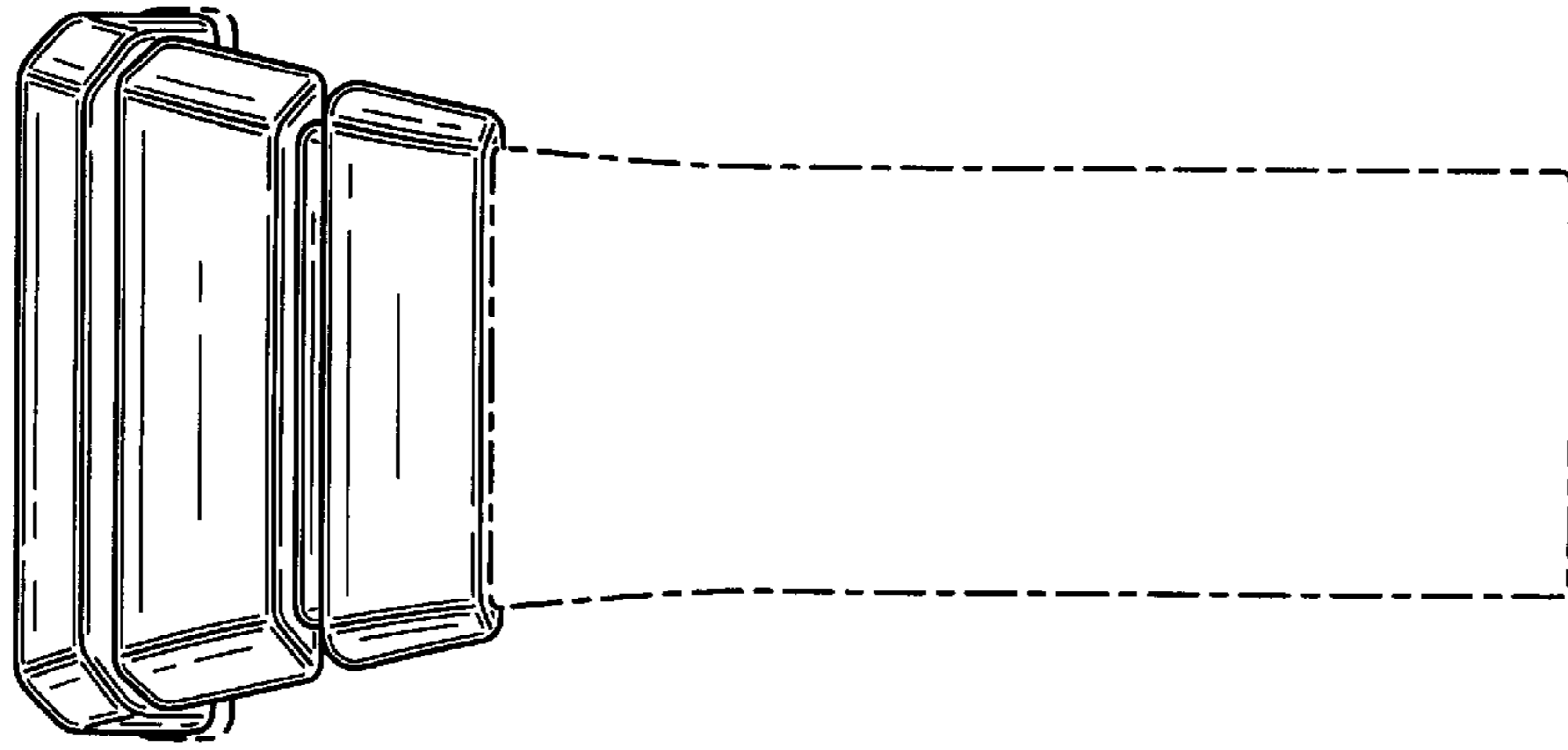


FIG. 3

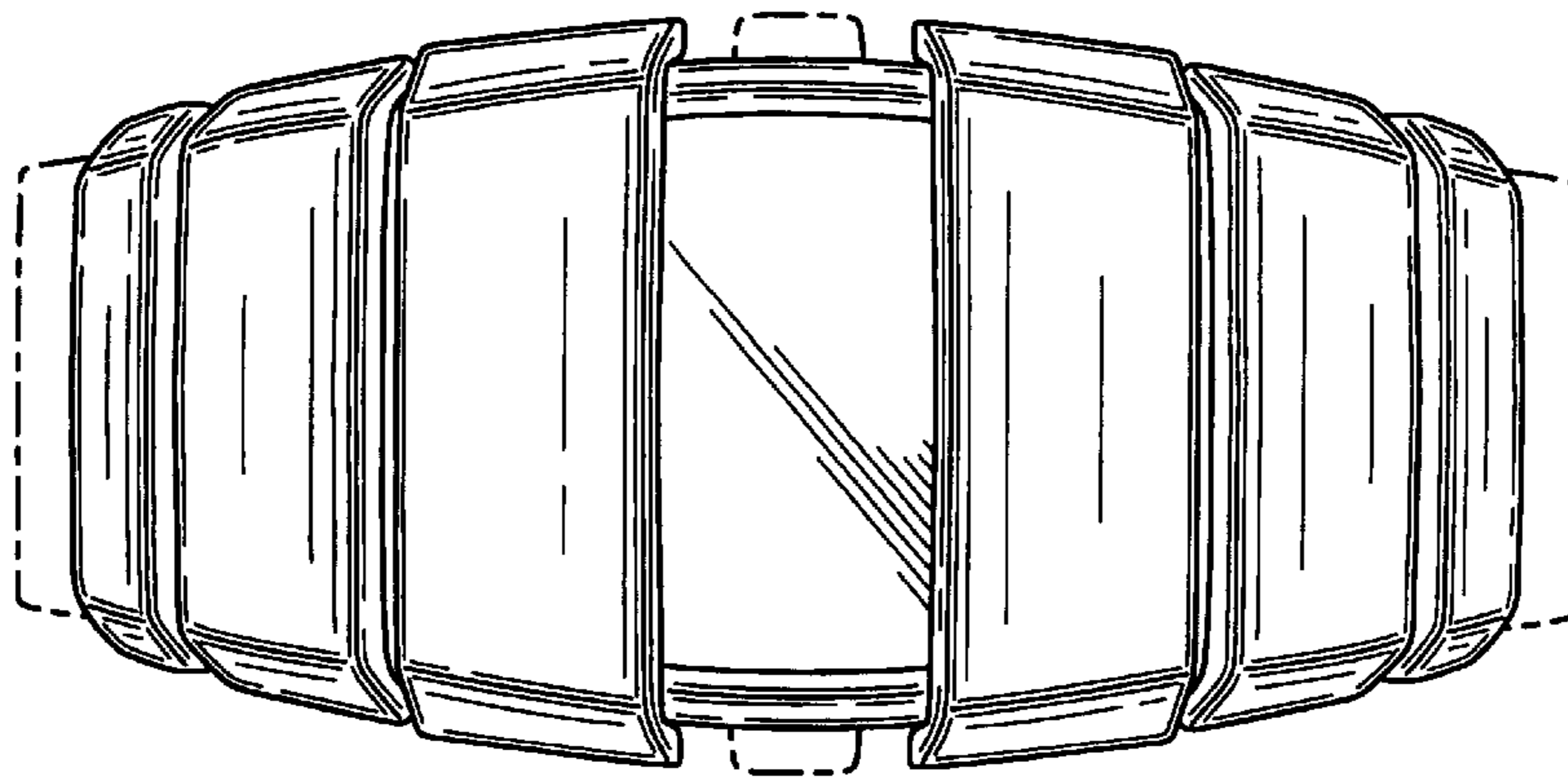


FIG. 2

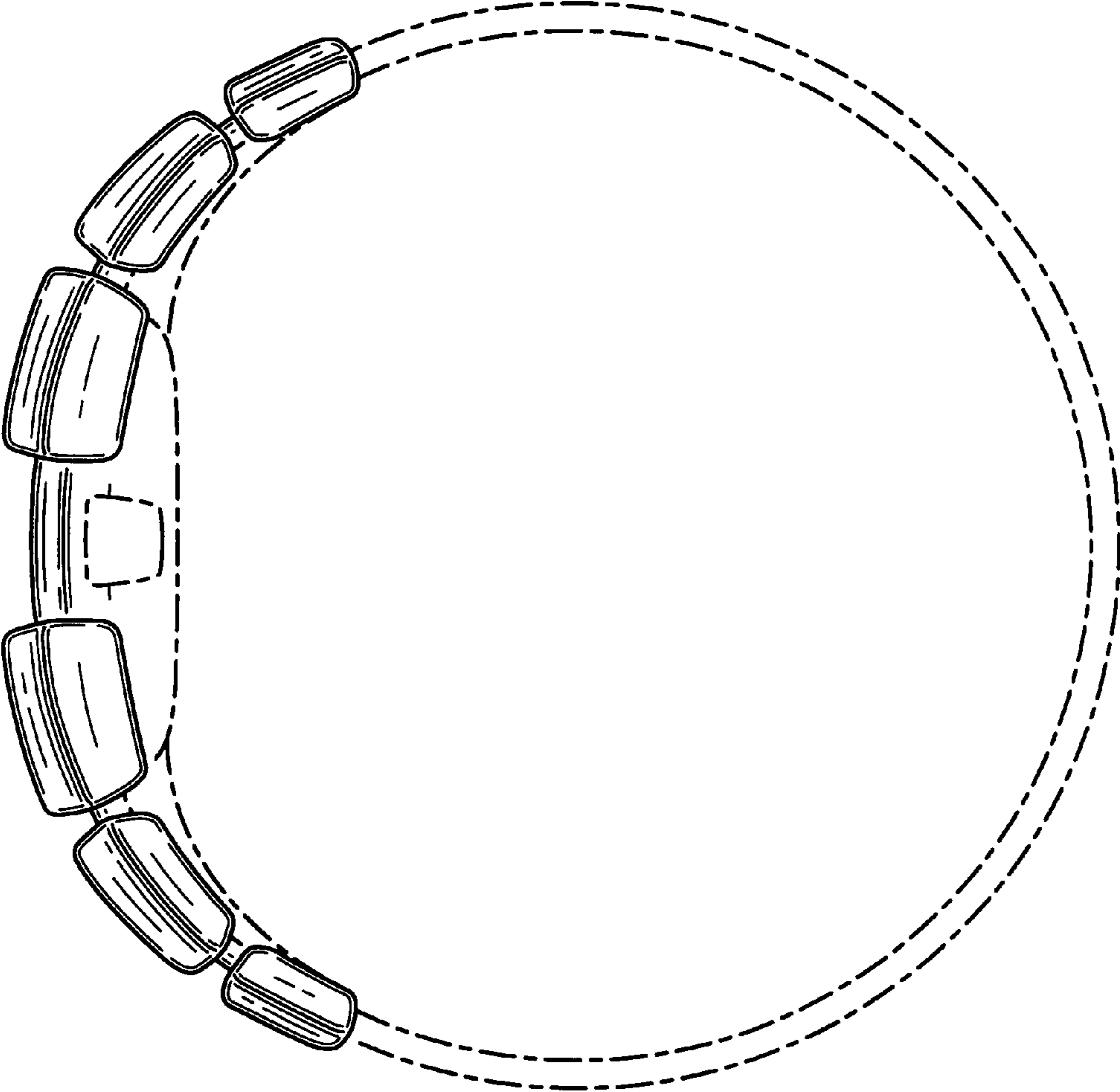


FIG. 4