



US00D511093S

(12) **United States Design Patent**  
**Keeton**

(10) **Patent No.: US D511,093 S**

(45) **Date of Patent: \*\* Nov. 1, 2005**

(54) **CD PROMO CARD**

(75) **Inventor: Paul Keeton, Walton on Trent (GB)**

(73) **Assignee: Tolputt Keeton Limited, Tamworth (GB)**

(\*\*) **Term: 14 Years**

(21) **Appl. No.: 29/220,361**

(22) **Filed: Dec. 29, 2004**

(30) **Foreign Application Priority Data**

Jul. 22, 2004 (EM) ..... 000208558-0001

(51) **LOC (8) Cl. .... 09-03**

(52) **U.S. Cl. .... D9/433**

(58) **Field of Search** ..... D9/432, 433, 423,  
D9/420, 414, 737, 422, 418; D3/218; 206/387.1,  
773, 387.13, 457, 472, 308.1; 229/240;  
220/4.23

(56) **References Cited**

**U.S. PATENT DOCUMENTS**

2,285,991 A \* 6/1942 Lester ..... 206/773

D268,098 S \* 3/1983 Brown ..... D9/418  
D339,063 S \* 9/1993 Simon ..... D9/433  
D339,287 S \* 9/1993 Levin ..... D9/737  
D372,670 S \* 8/1996 Healey ..... D9/422  
D398,527 S \* 9/1998 Maceachern et al. .... D9/432  
5,921,386 A \* 7/1999 Smith ..... 206/308.1  
D420,586 S \* 2/2000 MacEachern et al. .... D9/432

\* cited by examiner

*Primary Examiner*—Stella Reid  
*Assistant Examiner*—Mark A. Goodwin  
(74) *Attorney, Agent, or Firm*—Collen IP; Donald J. Ranft

(57) **CLAIM**

The ornamental design for a CD promo card, as shown and described.

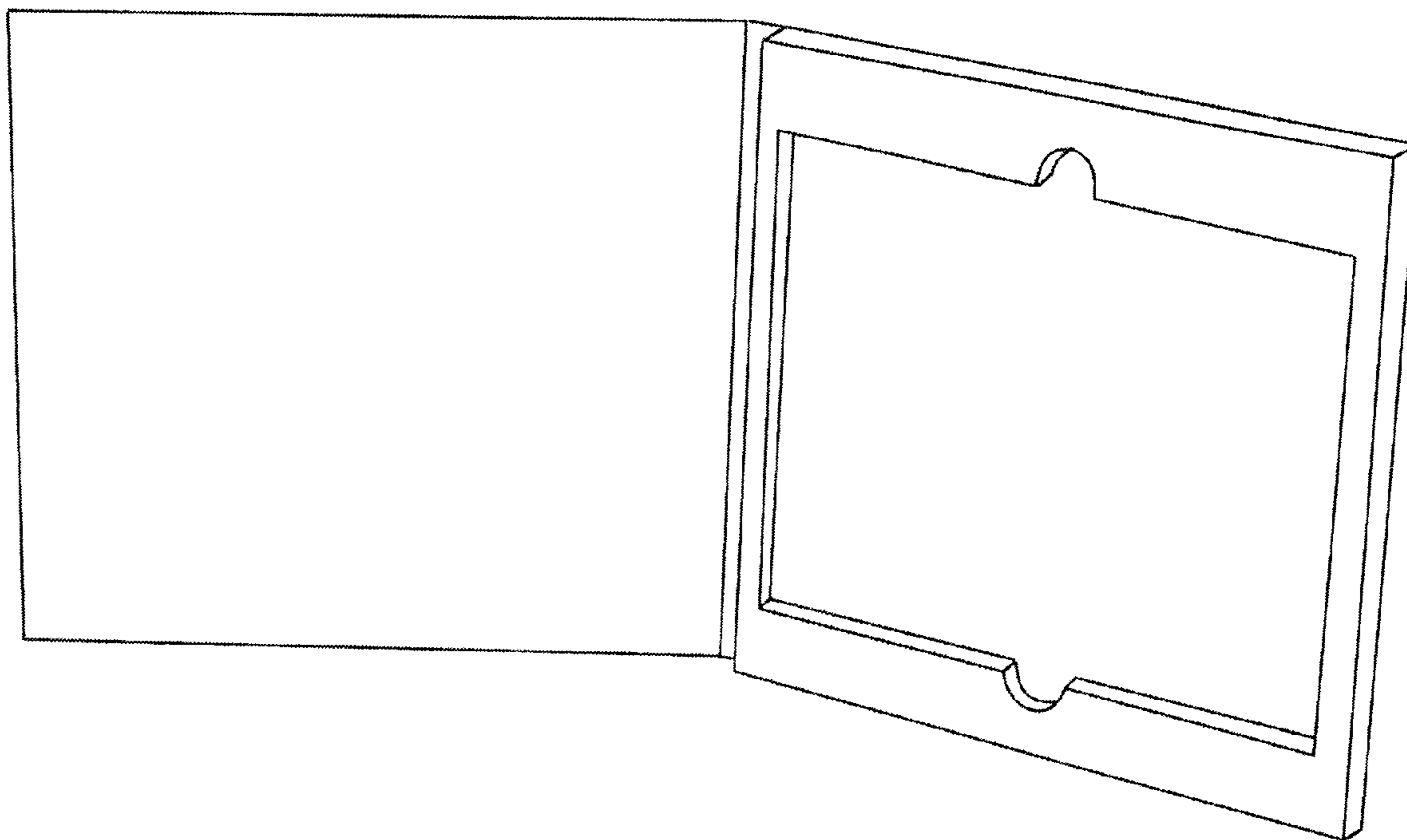
**DESCRIPTION**

FIG. 1 is a front view of a CD promo card showing my new design, in opened condition.

FIG. 2 is a top right perspective view thereof; and,

FIG. 3 is top left perspective view thereof.

**1 Claim, 2 Drawing Sheets**



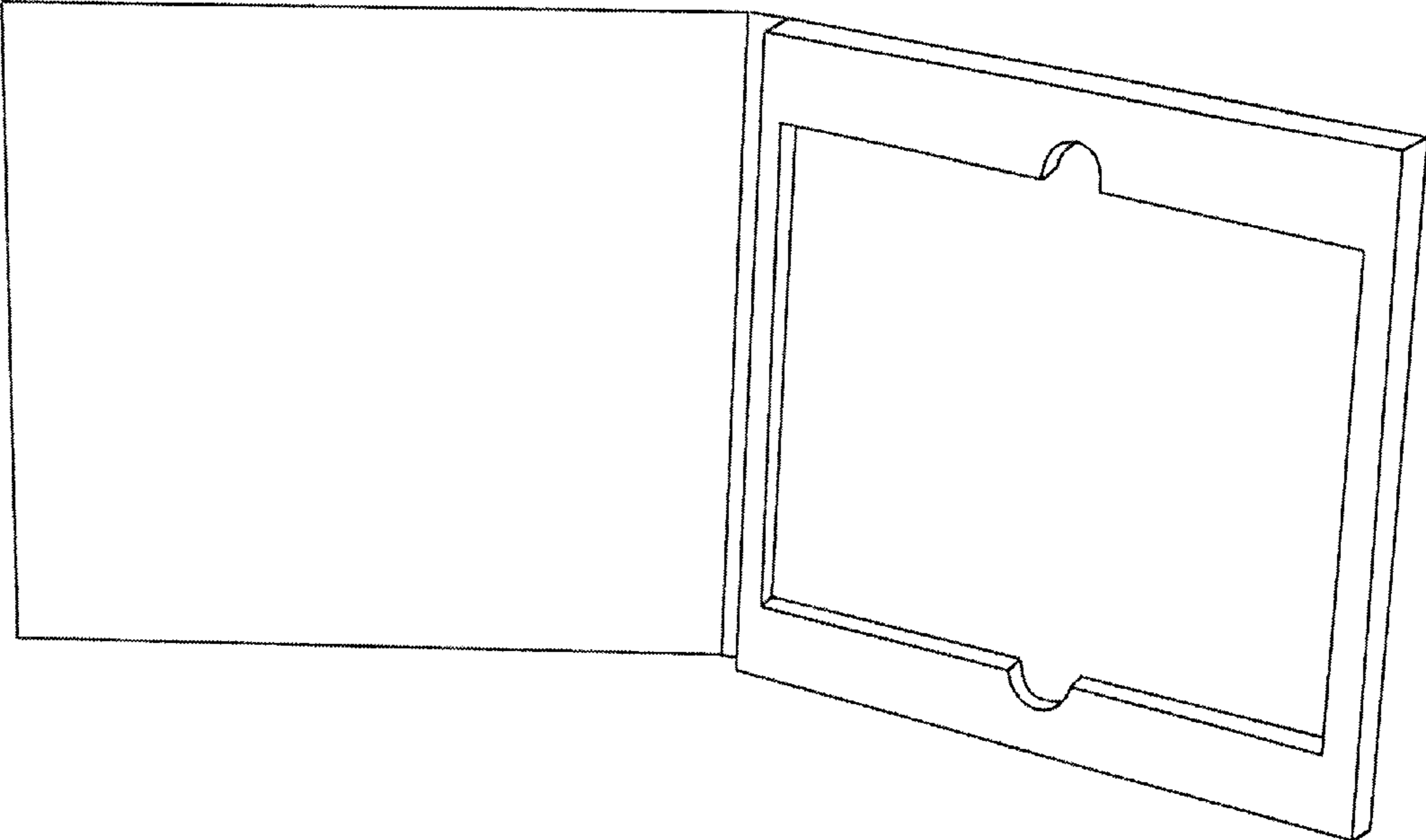


Figure 1

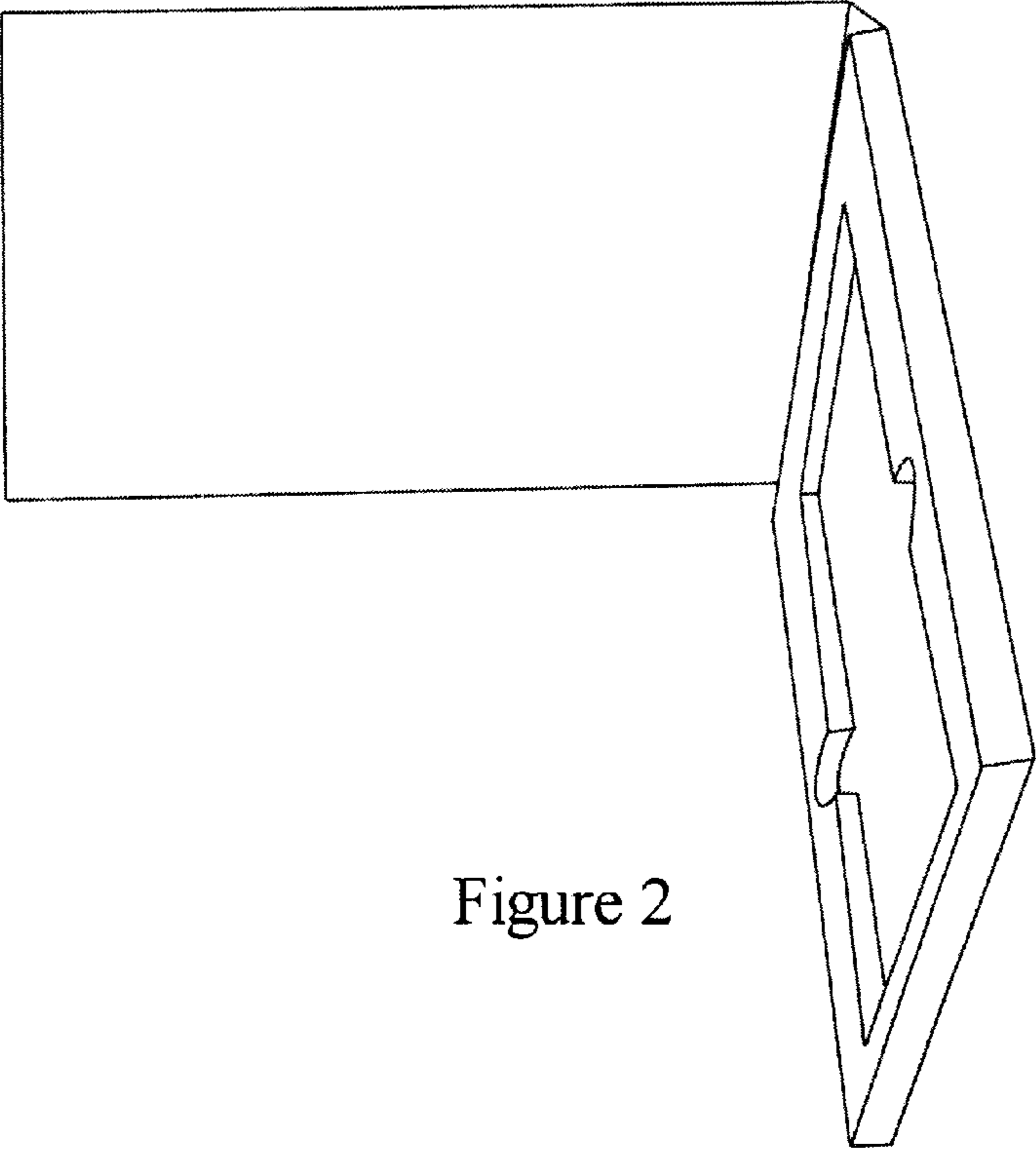


Figure 2

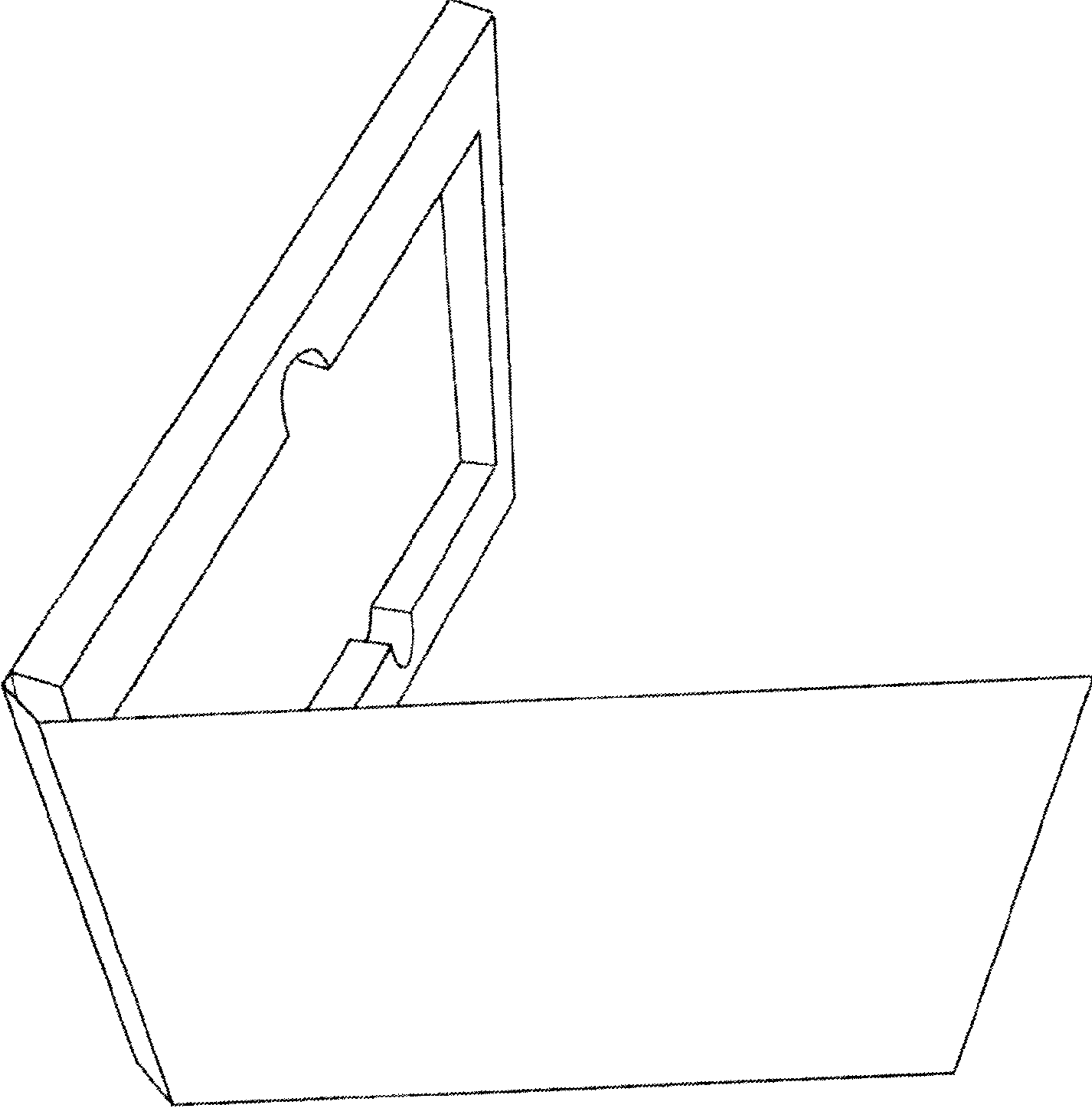


Figure 3