



US00D511092S

(12) **United States Design Patent** (10) **Patent No.:** **US D511,092 S**  
**Shea** (45) **Date of Patent:** **\*\* Nov. 1, 2005**

(54) **BOX BLANK**

(75) Inventor: **Donald Lee Shea**, 708 Georgia Ave.,  
Statesville, NC (US) 28677

(73) Assignee: **Donald Lee Shea**, Statesville, NC (US)

(\*\*) Term: **14 Years**

(21) Appl. No.: **29/195,263**

(22) Filed: **Dec. 9, 2003**

(51) **LOC (8) Cl.** ..... **09-03**

(52) **U.S. Cl.** ..... **D9/433; D9/432**

(58) **Field of Search** ..... D9/433, 414, 420,  
D9/430-432, 499; 206/1.5, 223, 527, 784;  
220/62, 890; 229/100, 124, 125.37, 126,  
800

(56) **References Cited**

**U.S. PATENT DOCUMENTS**

1,146,115	A	*	7/1915	Weiss	.....	229/126
1,847,598	A	*	3/1932	Cornell	.....	229/120
3,341,349	A	*	9/1967	Feeney et al.	.....	229/100
3,356,280	A	*	12/1967	Dunholter	.....	206/205
3,735,913	A	*	5/1973	Lueben	.....	229/120

D268,374	S	*	3/1983	Dercks et al.	.....	D99/5
4,784,271	A	*	11/1988	Wosaba et al.	.....	229/235
5,323,896	A	*	6/1994	Jones	.....	206/223
D428,335	S	*	7/2000	Toyota et al.	.....	D9/432

\* cited by examiner

*Primary Examiner*—Stella Reid  
*Assistant Examiner*—Daniel Bui

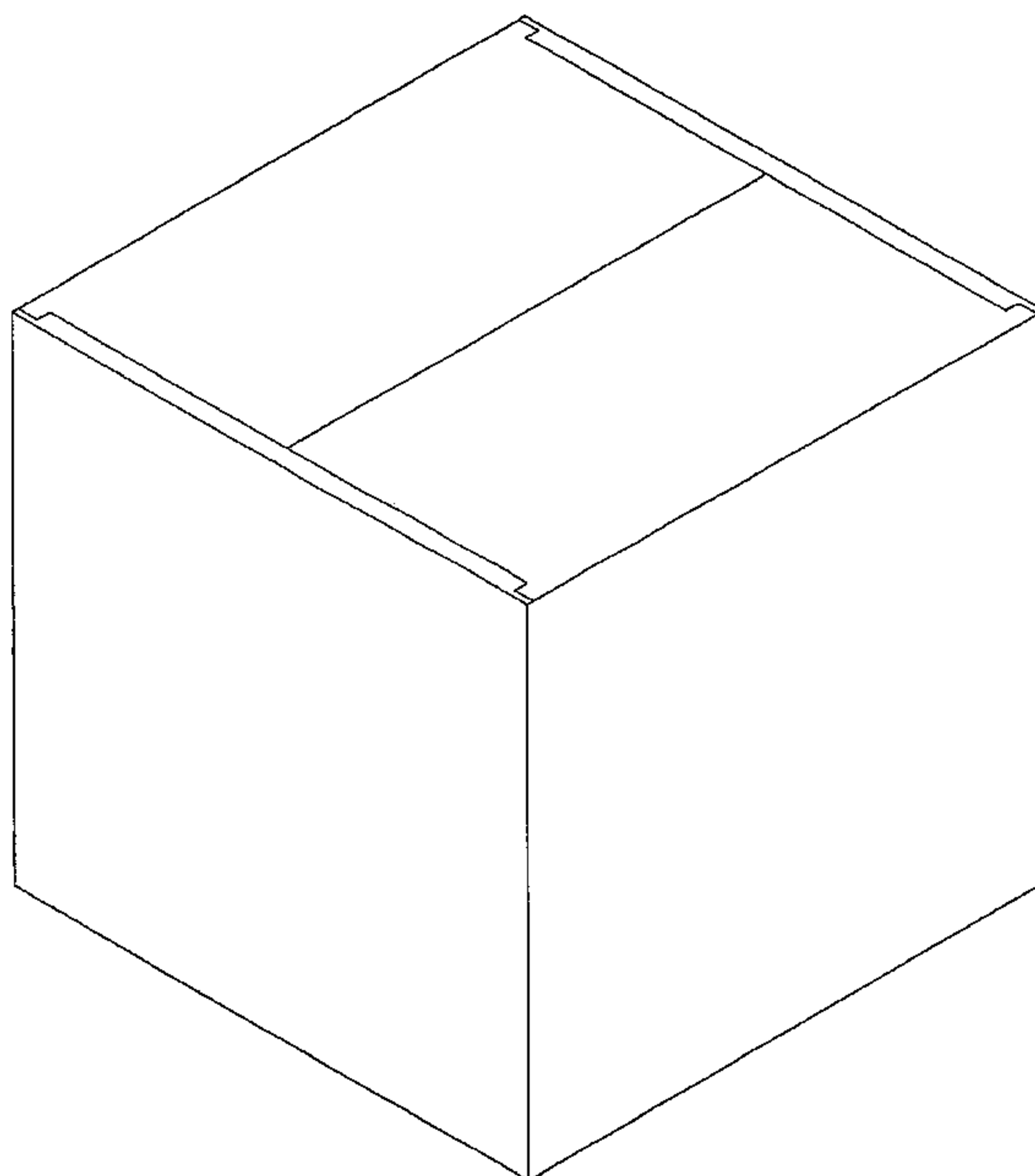
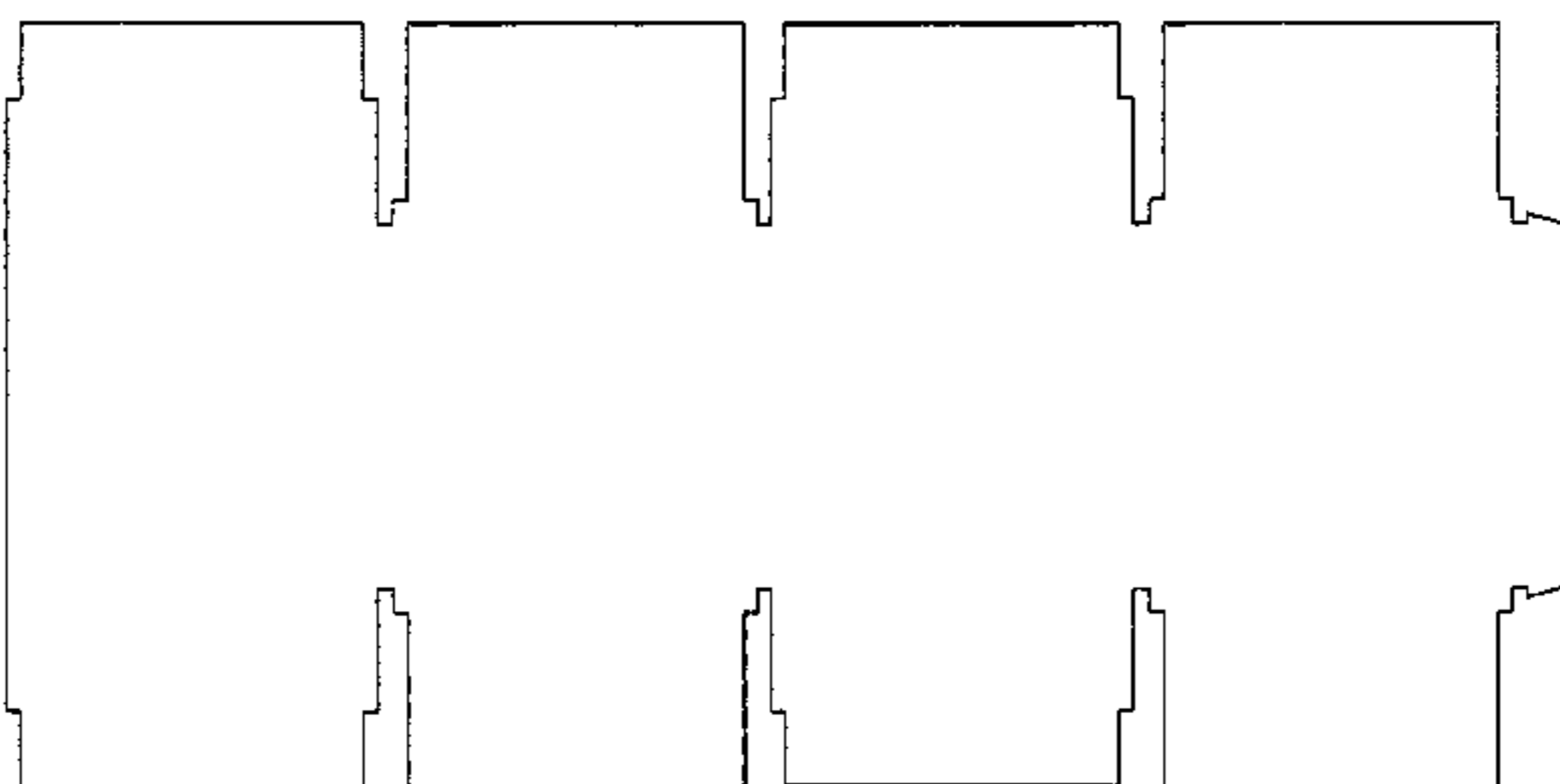
(57) **CLAIM**

The ornamental design for a box blank, as shown and described.

**DESCRIPTION**

FIG. 1 is a top plan view of a box blank, in an unfolded condition and on a reduced scale, showing my new design; FIG. 2 is a top isometric view of a box blank, in a folded condition; FIG. 3 is a bottom isometric view thereof; FIG. 4 is a front elevation view thereof; FIG. 5 is a left elevation view thereof; FIG. 6 is a right elevation view thereof; FIG. 7 is a top plan view thereof; and, FIG. 8 is a bottom plan view thereof.

**1 Claim, 8 Drawing Sheets**



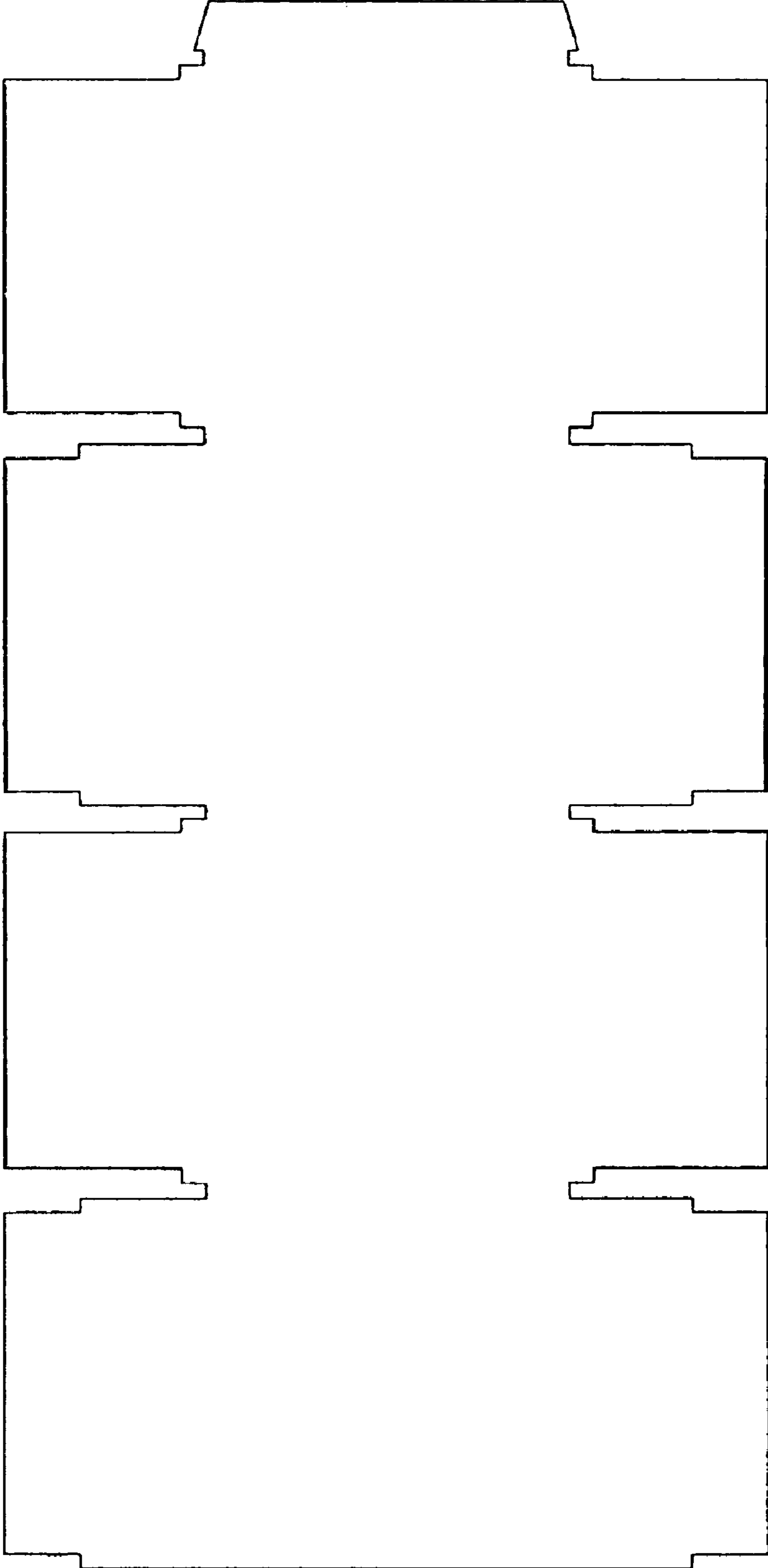


FIG. 1

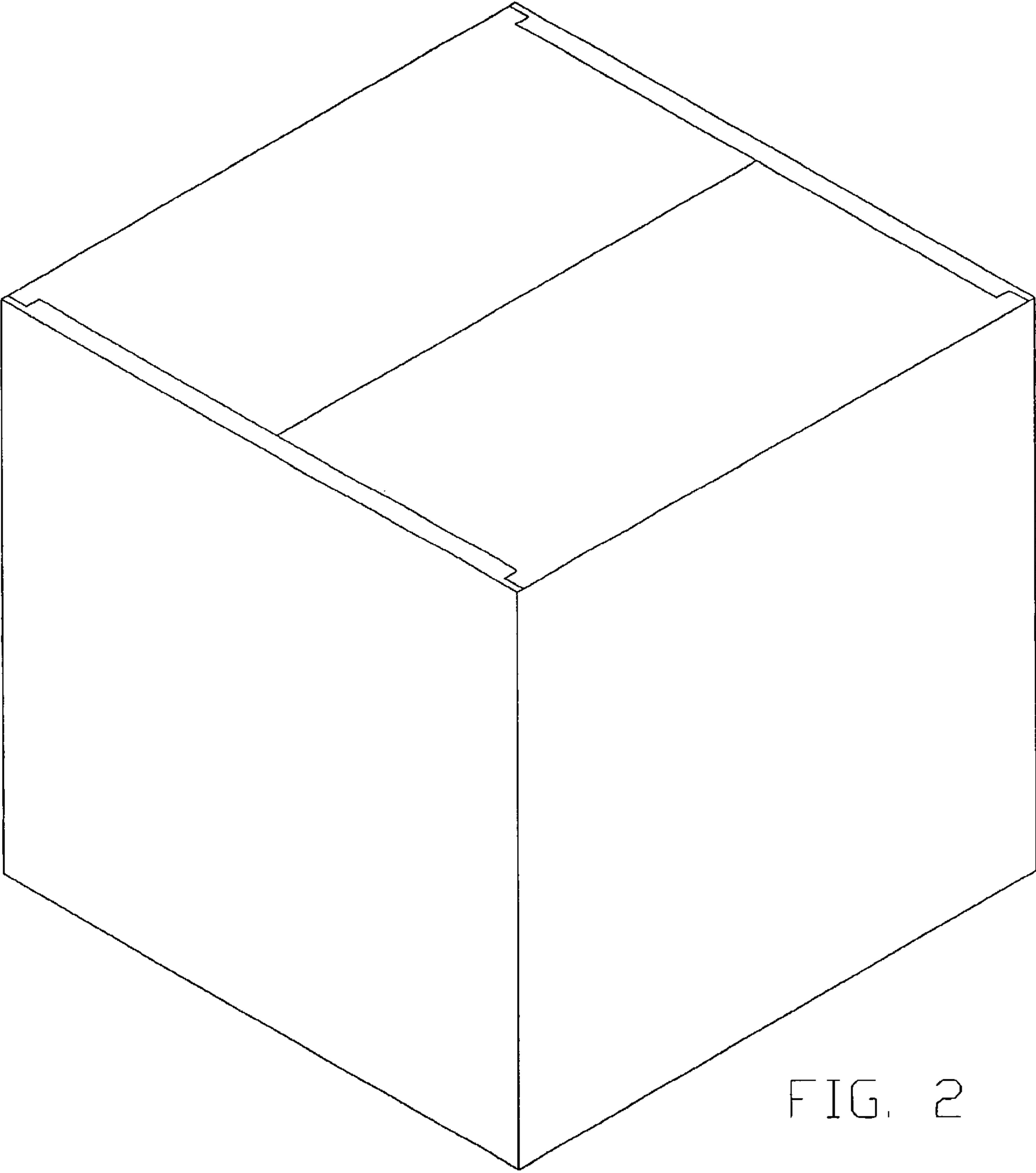


FIG. 2

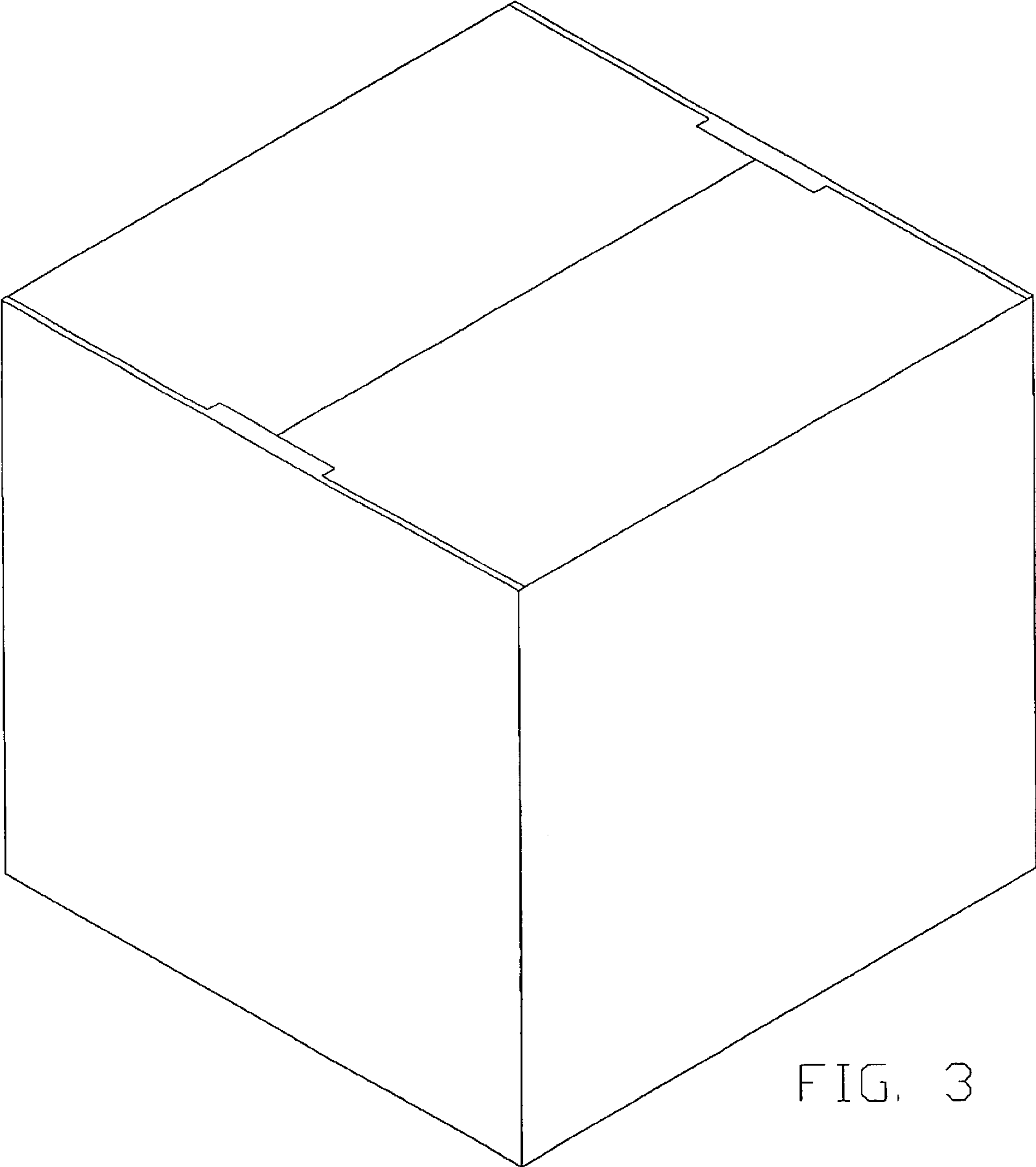


FIG. 3

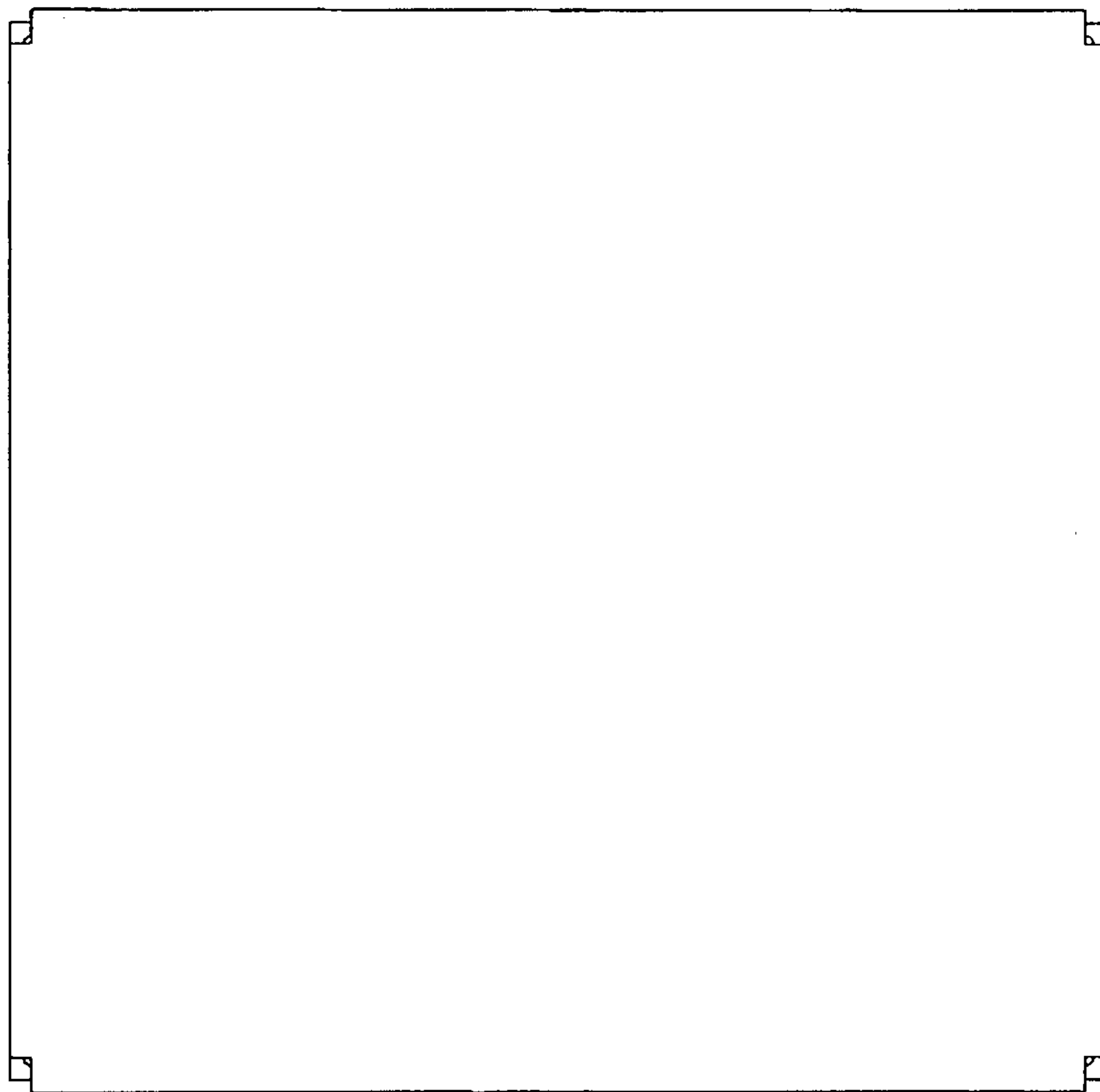


FIG. 4

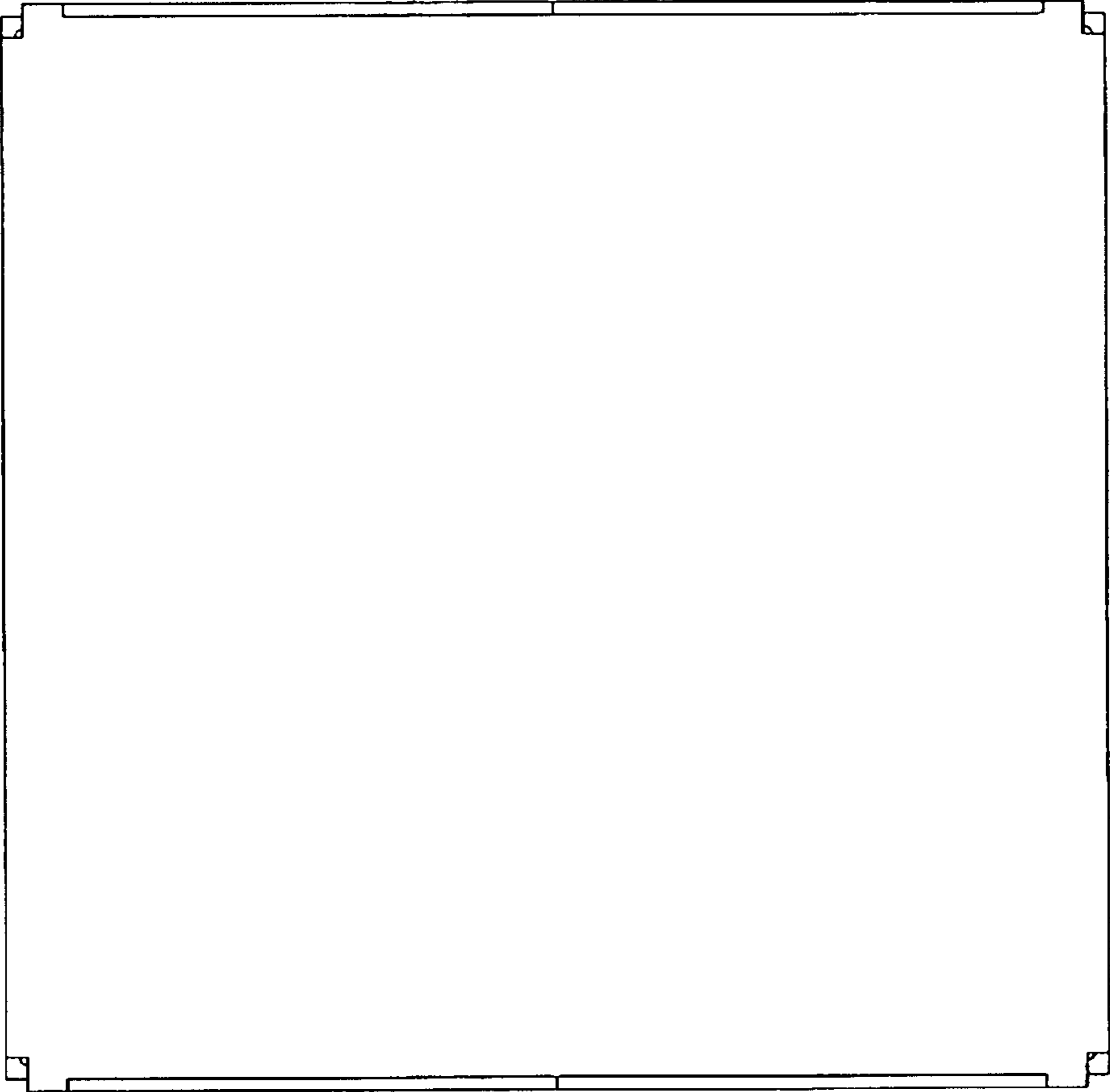


FIG. 5

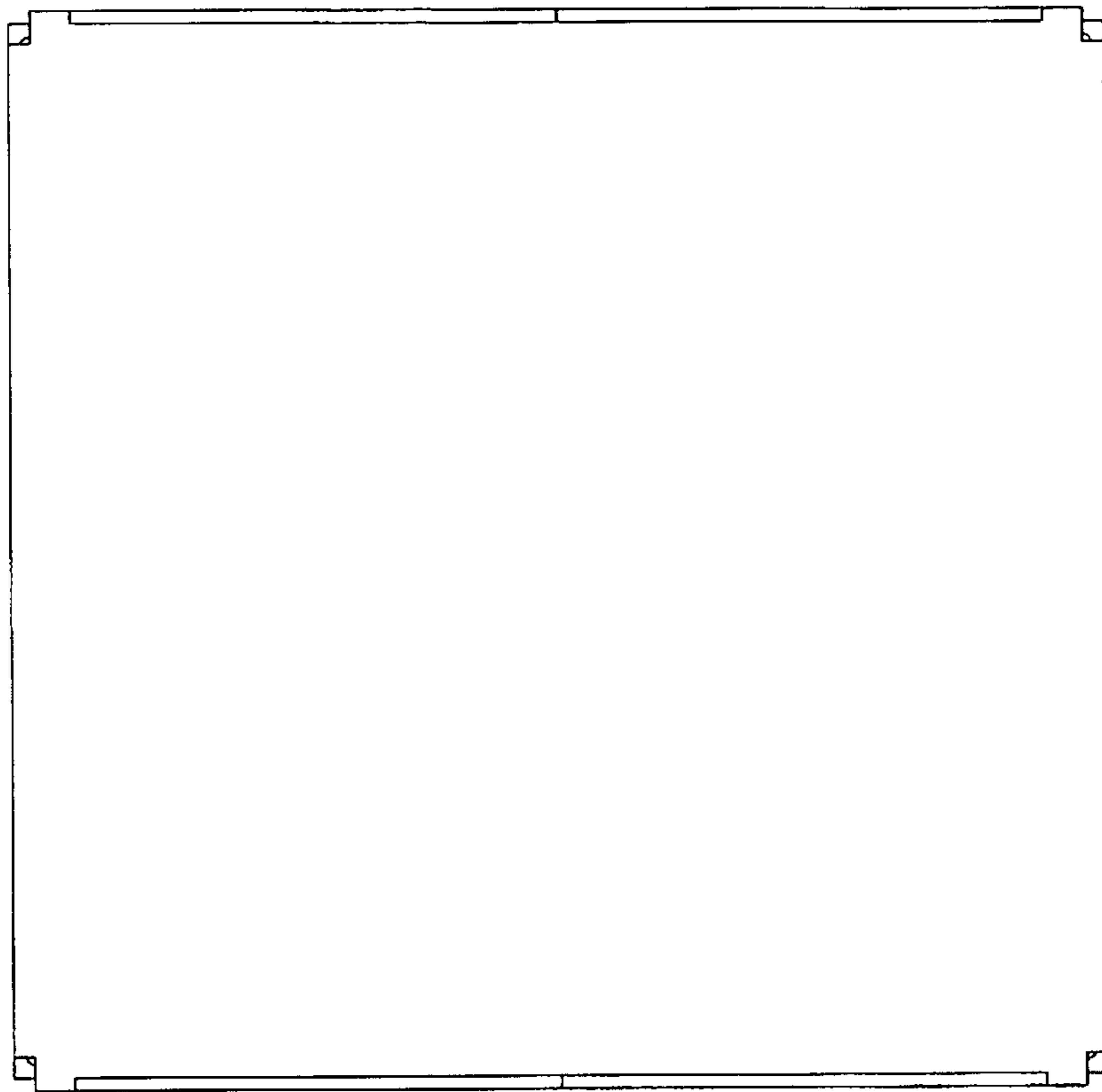


FIG. 6

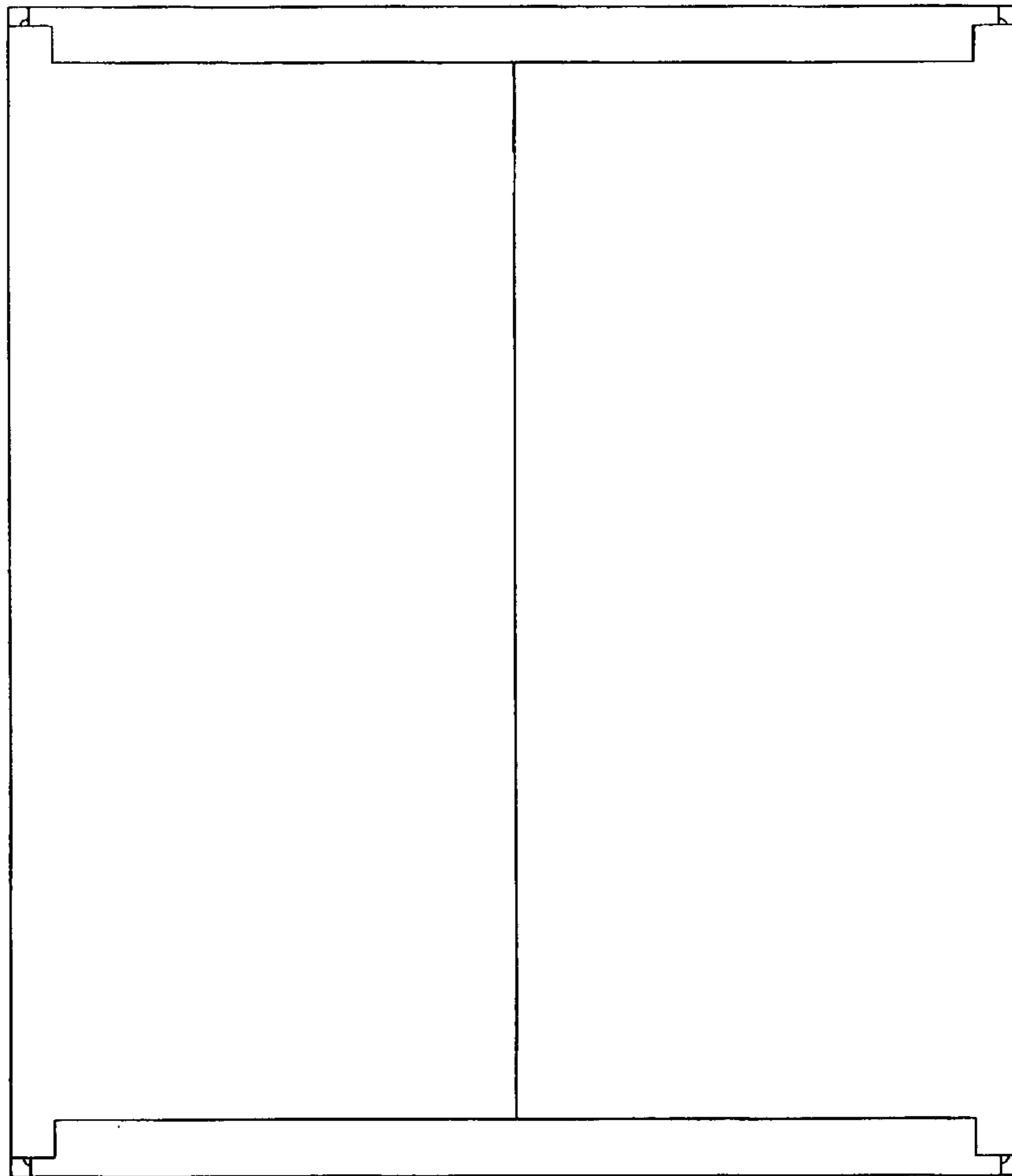


FIG. 7



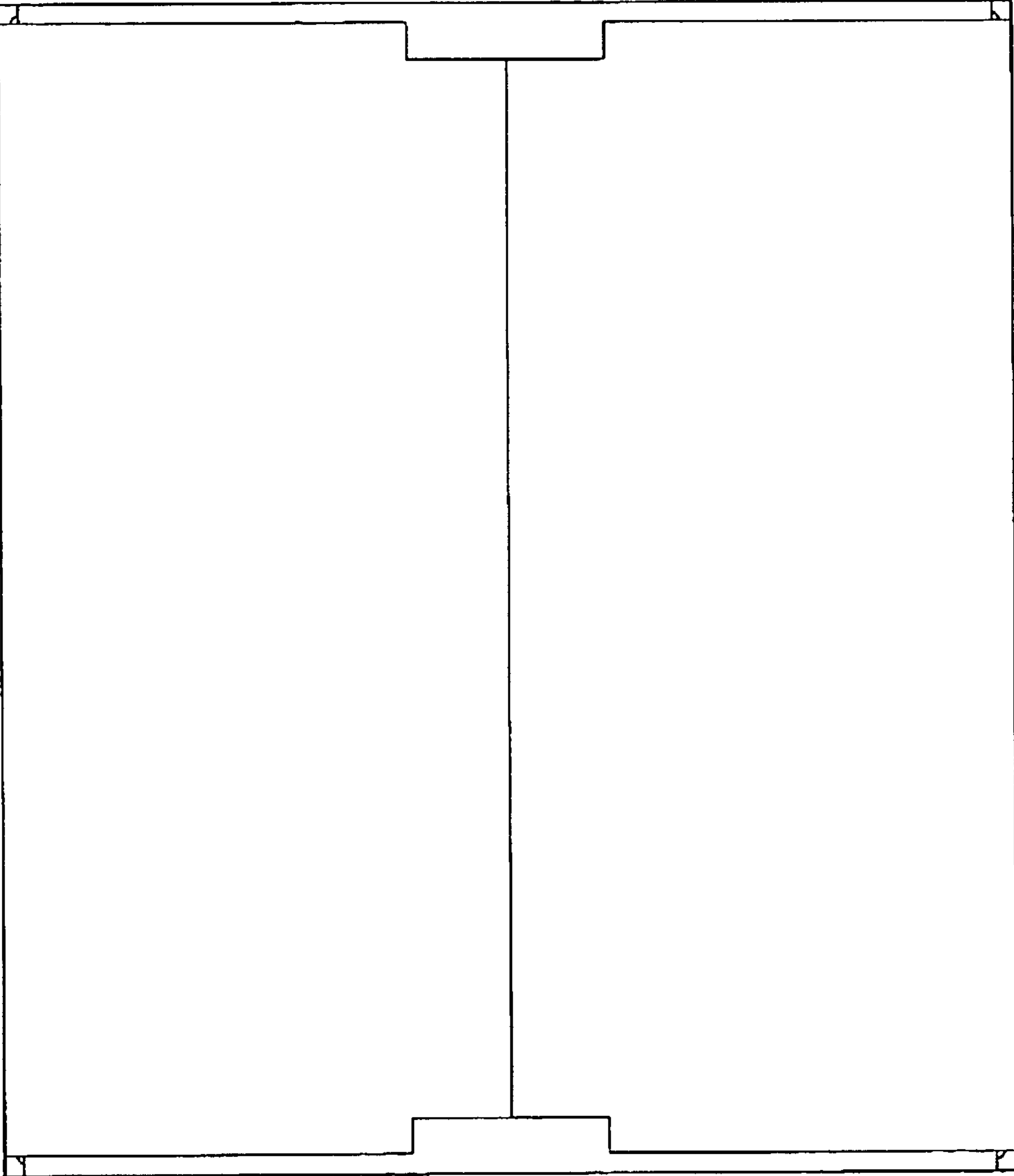


FIG. 8