



US00D511091S

(12) **United States Design Patent**
Liwag

(10) **Patent No.: US D511,091 S**

(45) **Date of Patent: ** Nov. 1, 2005**

(54) **FLAT SHIPPED SHOE BOX HAVING SET UP
TABS AND WINDOW ON END**

(75) Inventor: **Rebecca G. Liwag**, Toluca Lake, CA
(US)

(73) Assignee: **Regali Inc.**, North Hollywood, CA (US)

(**) Term: **14 Years**

(21) Appl. No.: **29/189,523**

(22) Filed: **Sep. 8, 2003**

(51) **LOC (8) Cl.** **09-07**

(52) **U.S. Cl.** **D9/418; D3/304; D3/317;**
D9/433; D9/432

(58) **Field of Search** D9/418, 432, 422,
D9/414, 433, 415; D3/304, 305, 312, 315,
317, 200, 902; 206/213, 278, 278.1, 294,
299, 557, 775, 776, 769, 770; 229/162.1,
407, 172, 173, 125.32, 87.15; 211/88.02,
126.1

(56) **References Cited**

U.S. PATENT DOCUMENTS

1,367,248	A	*	2/1921	Goldman et al.	220/789
2,388,243	A	*	11/1945	Arneson	229/167
3,063,550	A	*	11/1962	Boden et al.	206/296
3,487,914	A	*	1/1970	Doyle et al.	206/320
D242,021	S	*	10/1976	Shanklin	D9/418
4,083,483	A	*	4/1978	Bayless	294/143
4,269,347	A	*	5/1981	Cavan, Jr.	229/122

D279,952	S	*	8/1985	Daenen et al.	D7/629
4,801,079	A	*	1/1989	Gonella	229/174
4,819,795	A	*	4/1989	Swaney	206/278
D344,890	S	*	3/1994	Townes	D9/418
6,213,298	B1	*	4/2001	Nguyen	206/459.1

* cited by examiner

Primary Examiner—Prabhakar Deshmukh

(74) *Attorney, Agent, or Firm*—Timothy Thut Tyson; Ted Masters; Freilich, Hornbaker & Rosen

(57) **CLAIM**

The ornamental design for a flat shipped shoe box having set up tabs and window on end, as shown and described.

DESCRIPTION

FIG. 1 is a top, front, left side perspective view of a flat shipped shoe box having set up tabs and window on end showing my new design;

FIG. 2 is a top plan view thereof;

FIG. 3 is a left side elevation view thereof, the right side being the same;

FIG. 4 is a front end elevation view thereof;

FIG. 5 is a bottom plan view thereof;

FIG. 6 is a rear elevation view thereof;

FIG. 7 is a top plan view of the unassembled box;

FIG. 8 is a right side elevation view of FIG. 7, the left side elevation view being the same;

FIG. 9 is a rear end elevation view of FIG. 7, the front end elevation view being the same; and,

FIG. 10 is a bottom plan view of FIG. 7.

1 Claim, 3 Drawing Sheets

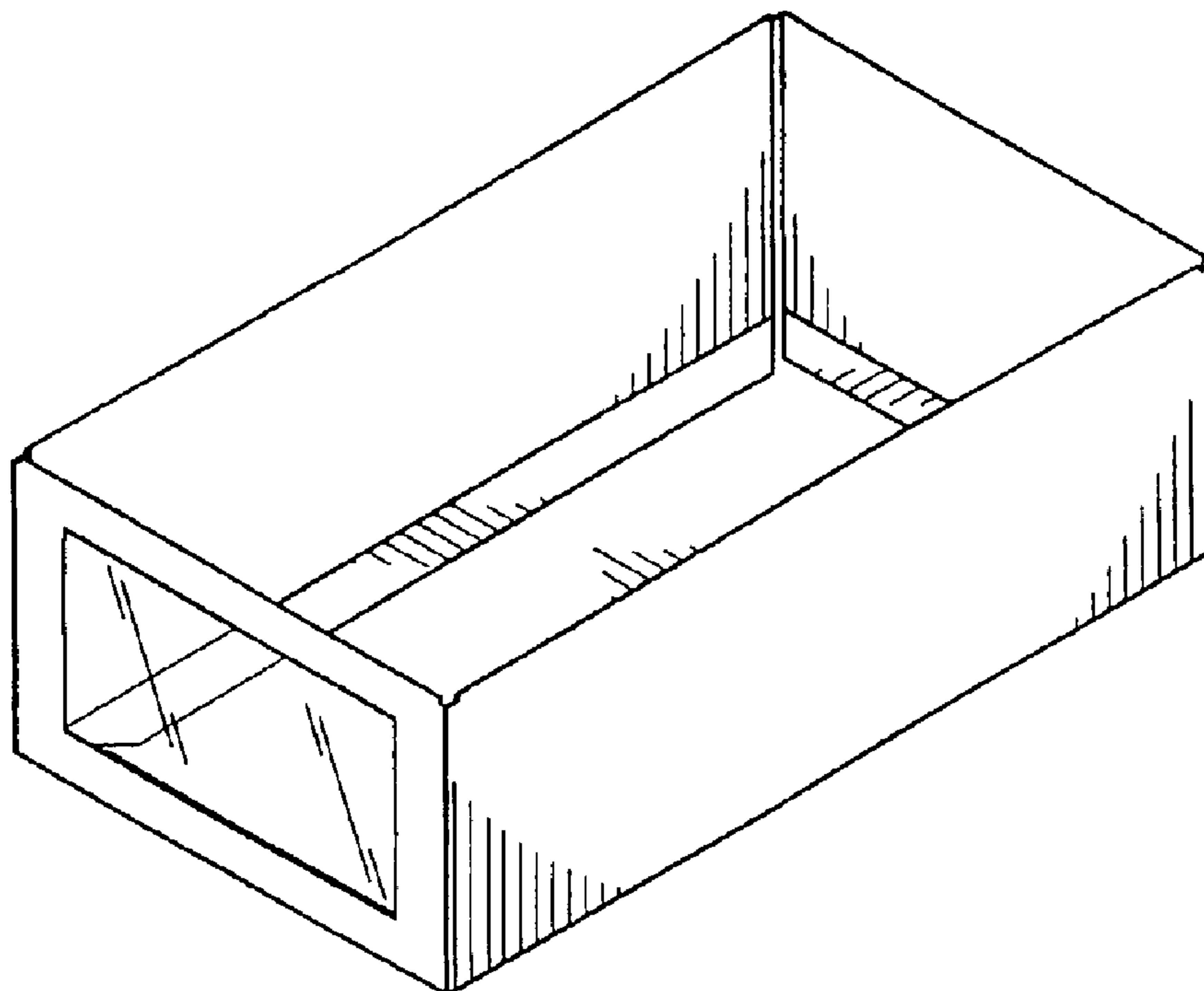


FIG. 1

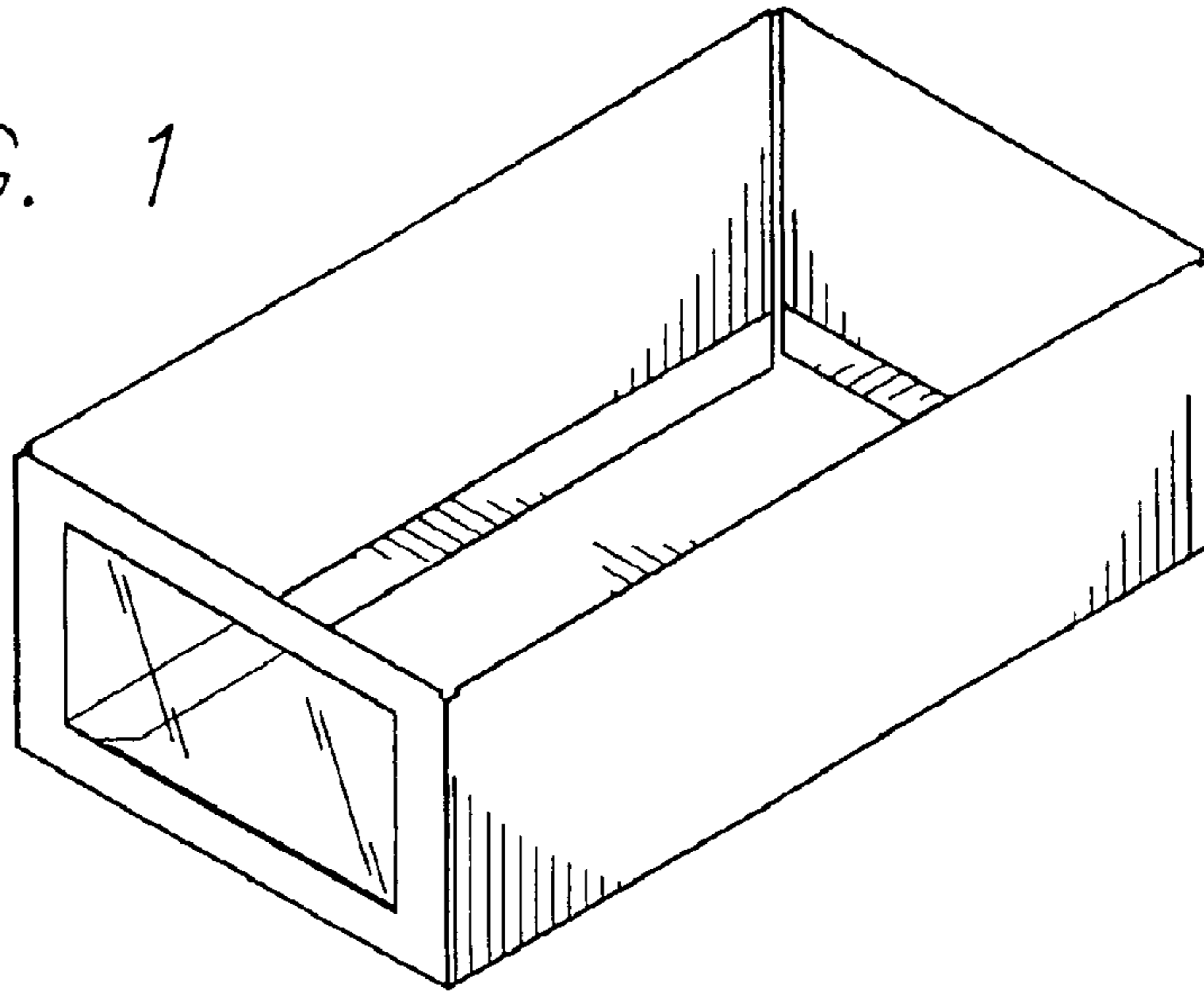


FIG. 2

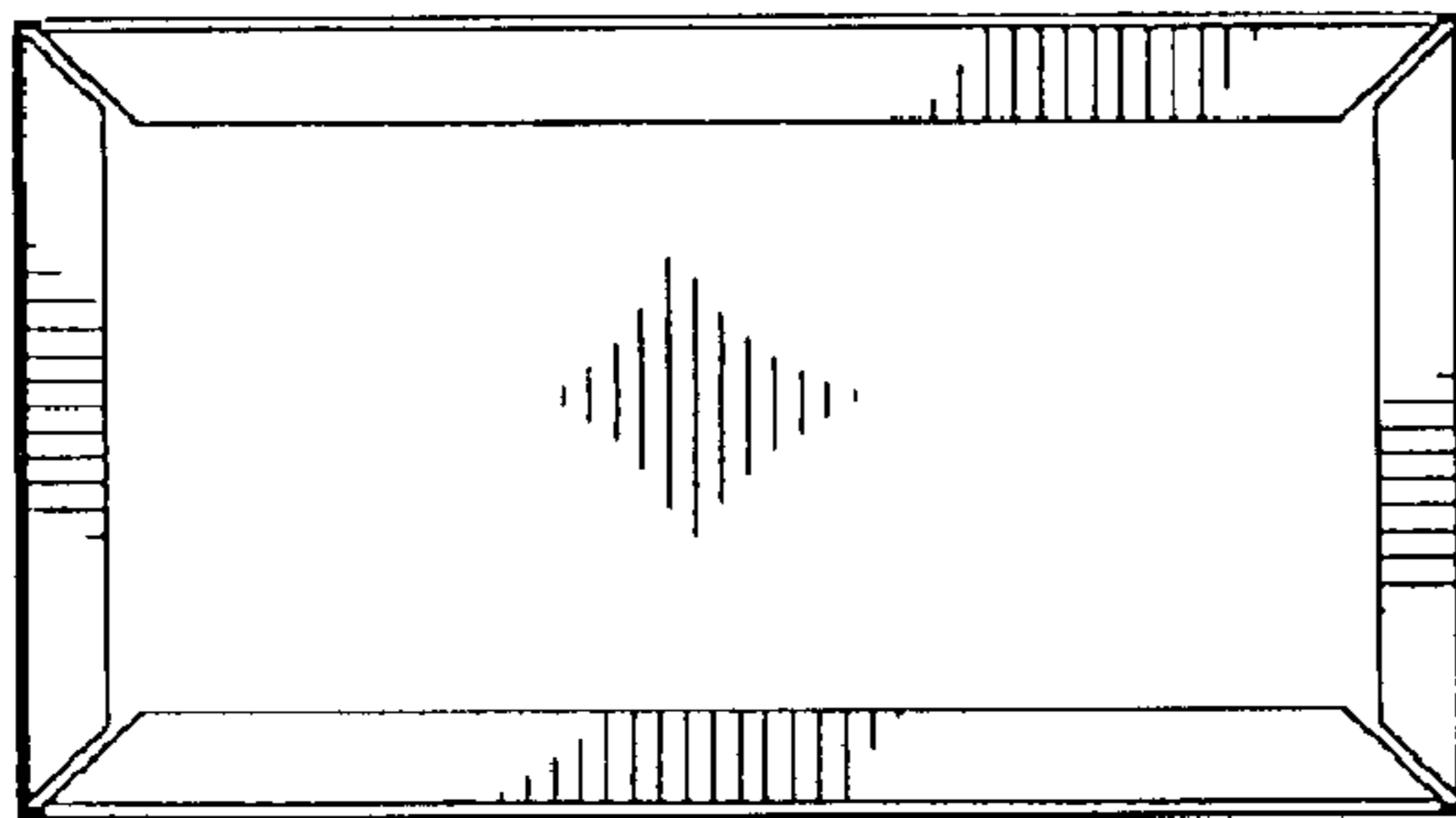


FIG. 3

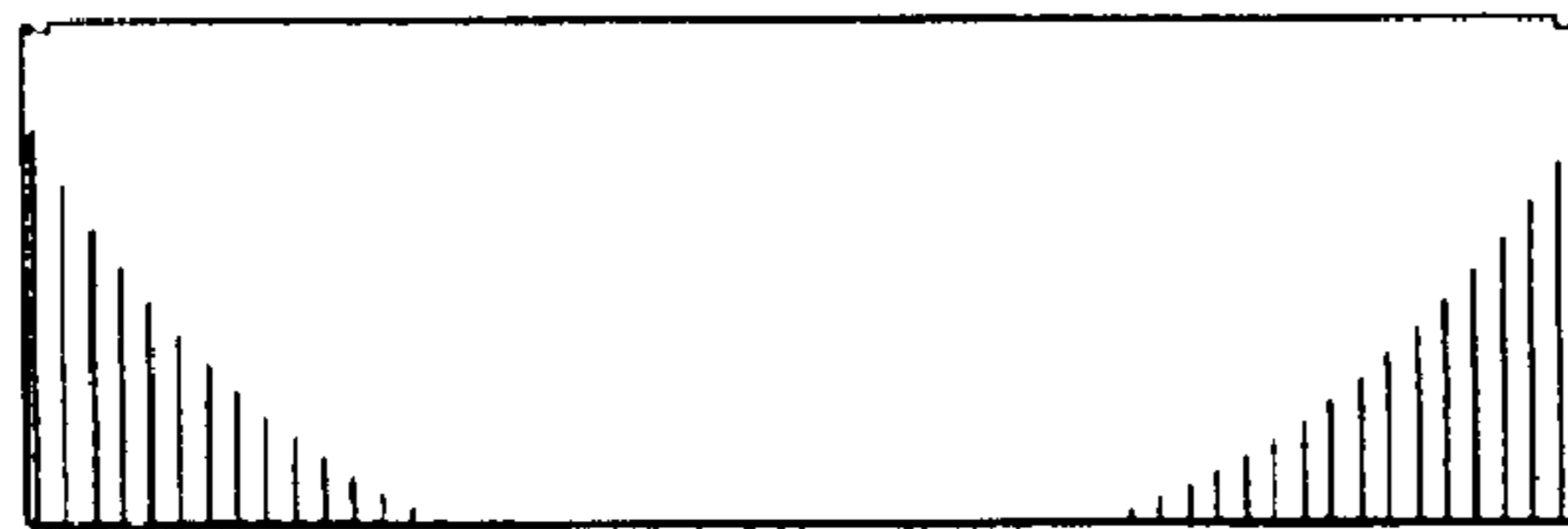


FIG. 5

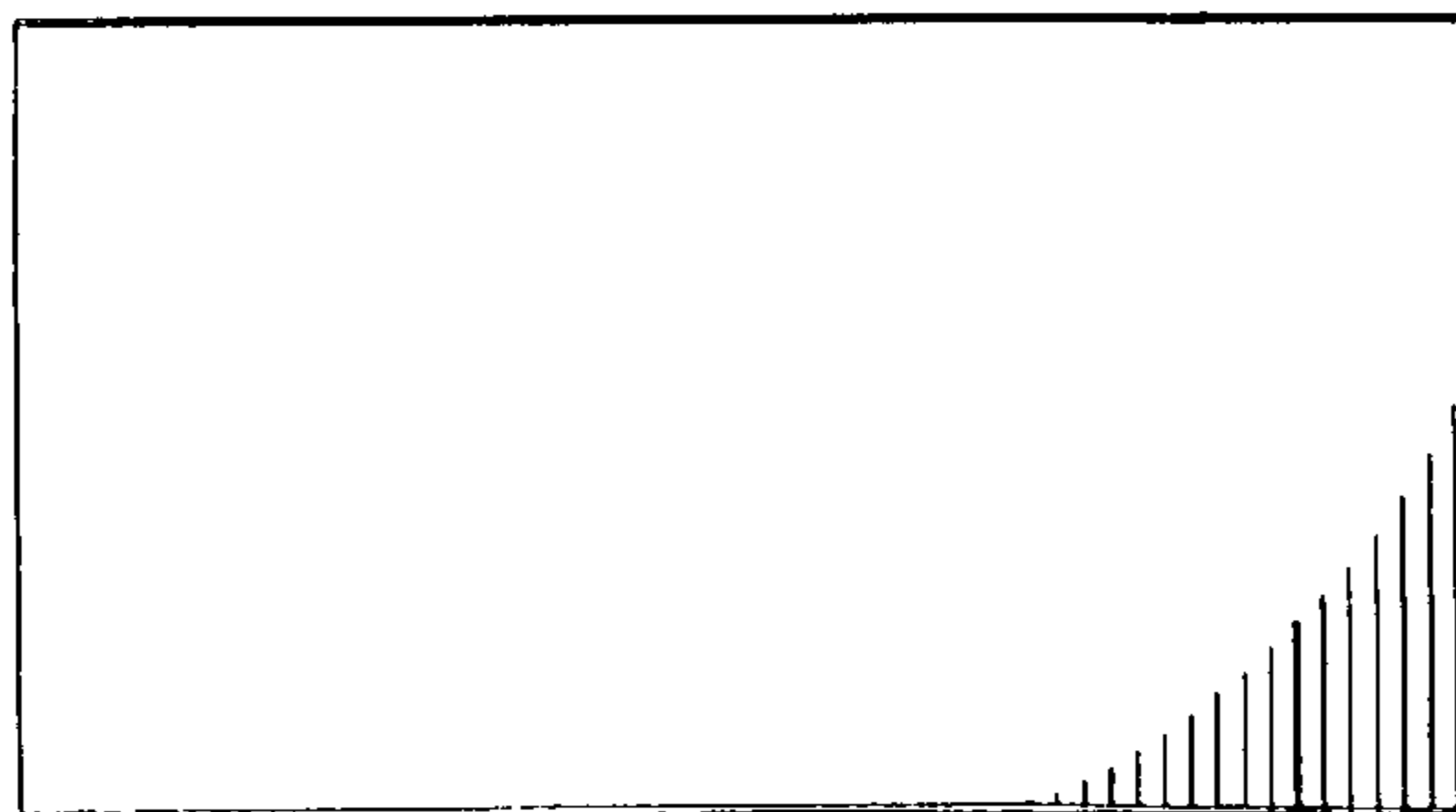


FIG. 4

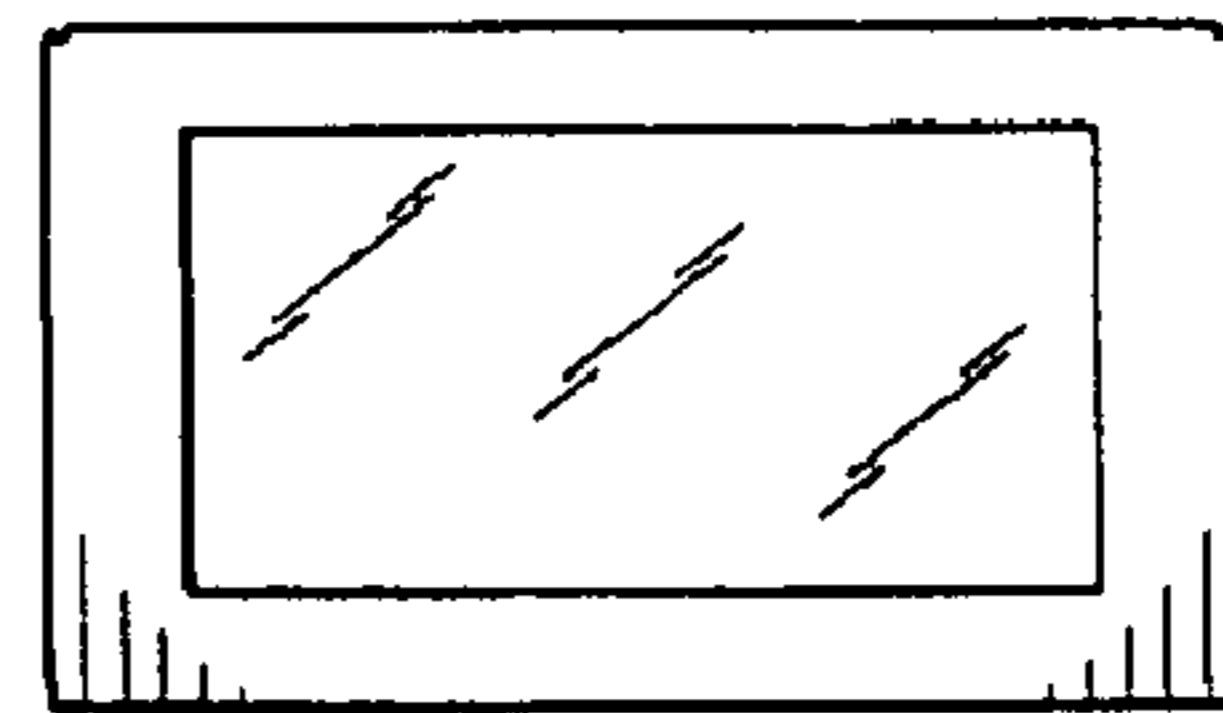


FIG. 6

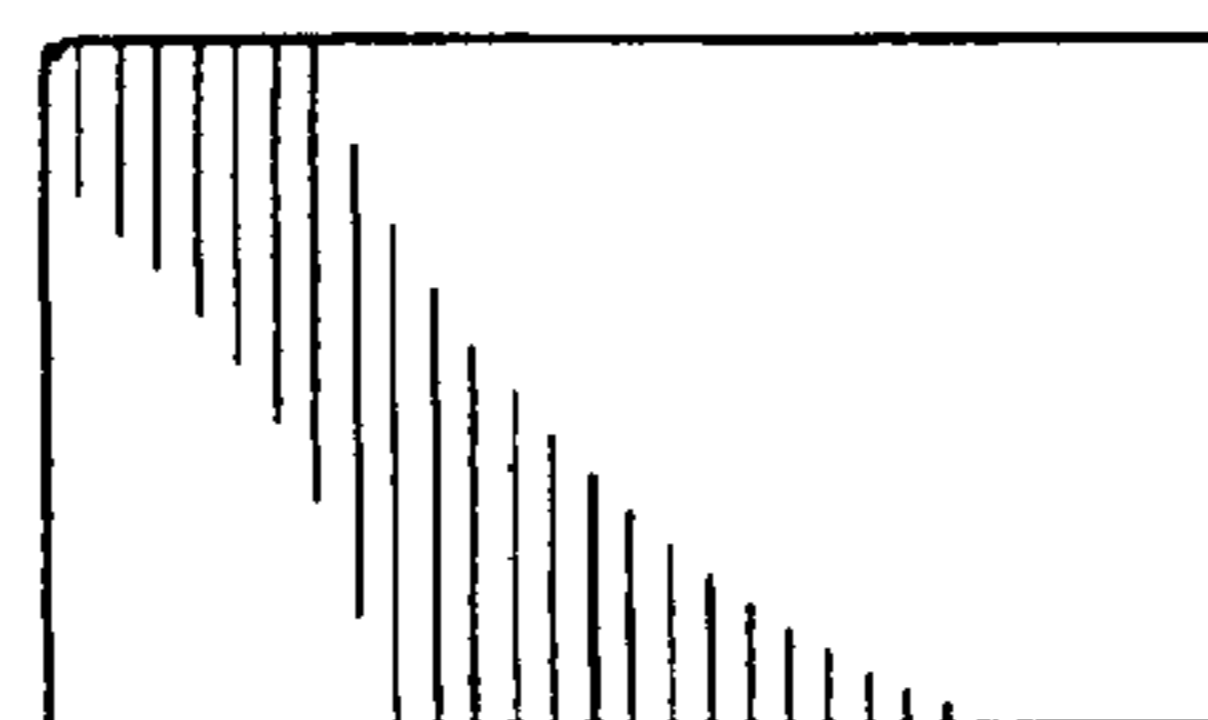


FIG. 7

FIG. 8

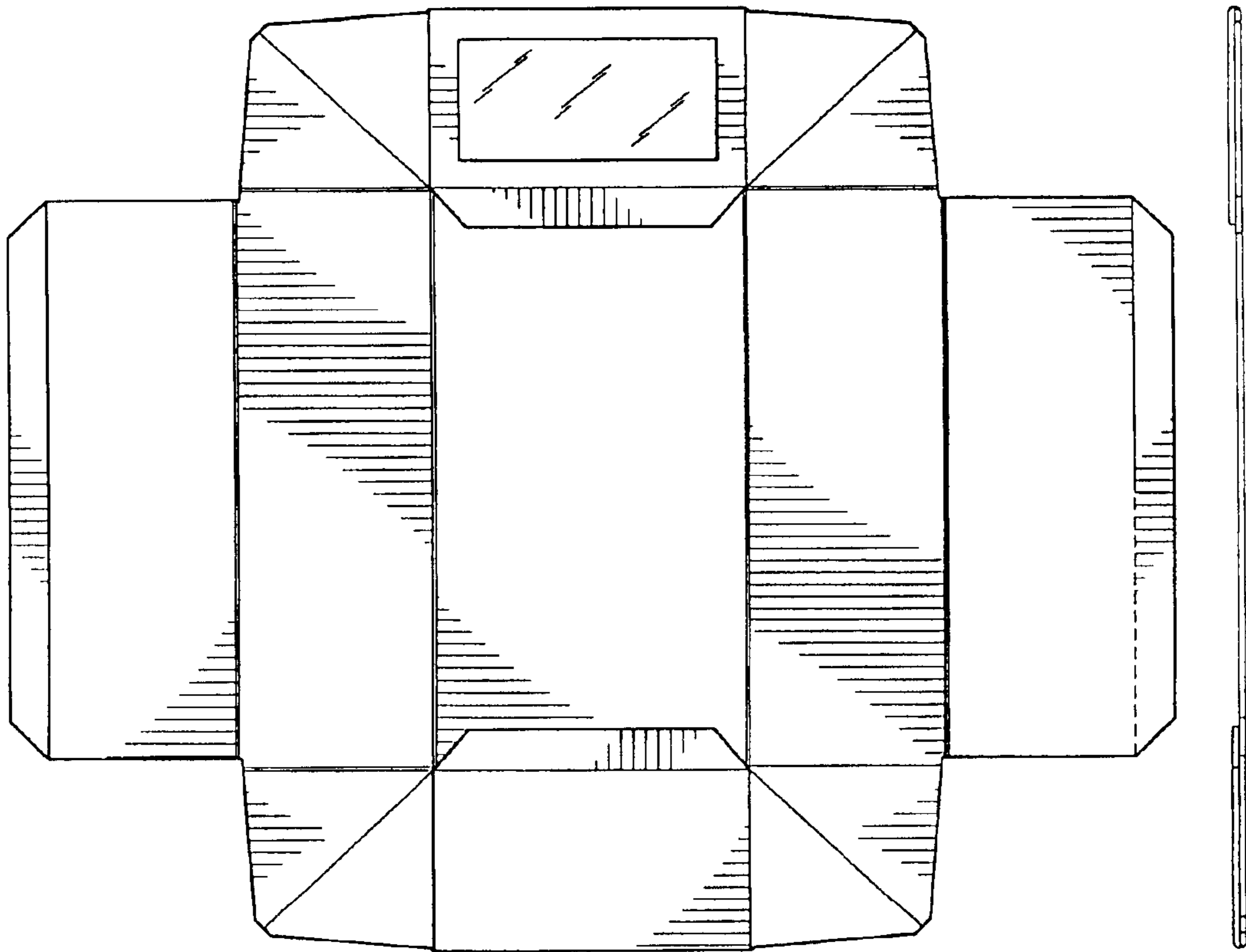


FIG. 9

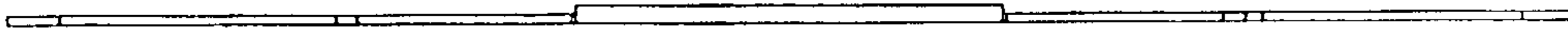


FIG. 10

