



US00D511089S

(12) **United States Design Patent** (10) **Patent No.:** **US D511,089 S**  
**Bevilacqua et al.** (45) **Date of Patent:** **\*\* Nov. 1, 2005**

(54) **CLEANING TOOL**

(75) Inventors: **Romolo A. Bevilacqua**, deceased, late of Sparks, NV (US); by **Michael A. Bevilacqua**, legal representative, Sparks, NV (US)

(73) Assignee: **Romal Enterprises, LLC.**, Reno, NV (US)

(\*\*) Term: **14 Years**

(21) Appl. No.: **29/204,926**

(22) Filed: **May 6, 2004**

(51) **LOC (8) Cl.** ..... **08-05**

(52) **U.S. Cl.** ..... **D8/372**

(58) **Field of Search** ..... D8/14; 15/105; 30/121.5; D32/46; 294/19.1

(56) **References Cited**

**U.S. PATENT DOCUMENTS**

D304,892 S 12/1989 Bevilacqua

*Primary Examiner*—Holly Baynham

(74) *Attorney, Agent, or Firm*—R. Michael West

(57) **CLAIM**

The ornamental design for a cleaning tool, as shown and described.

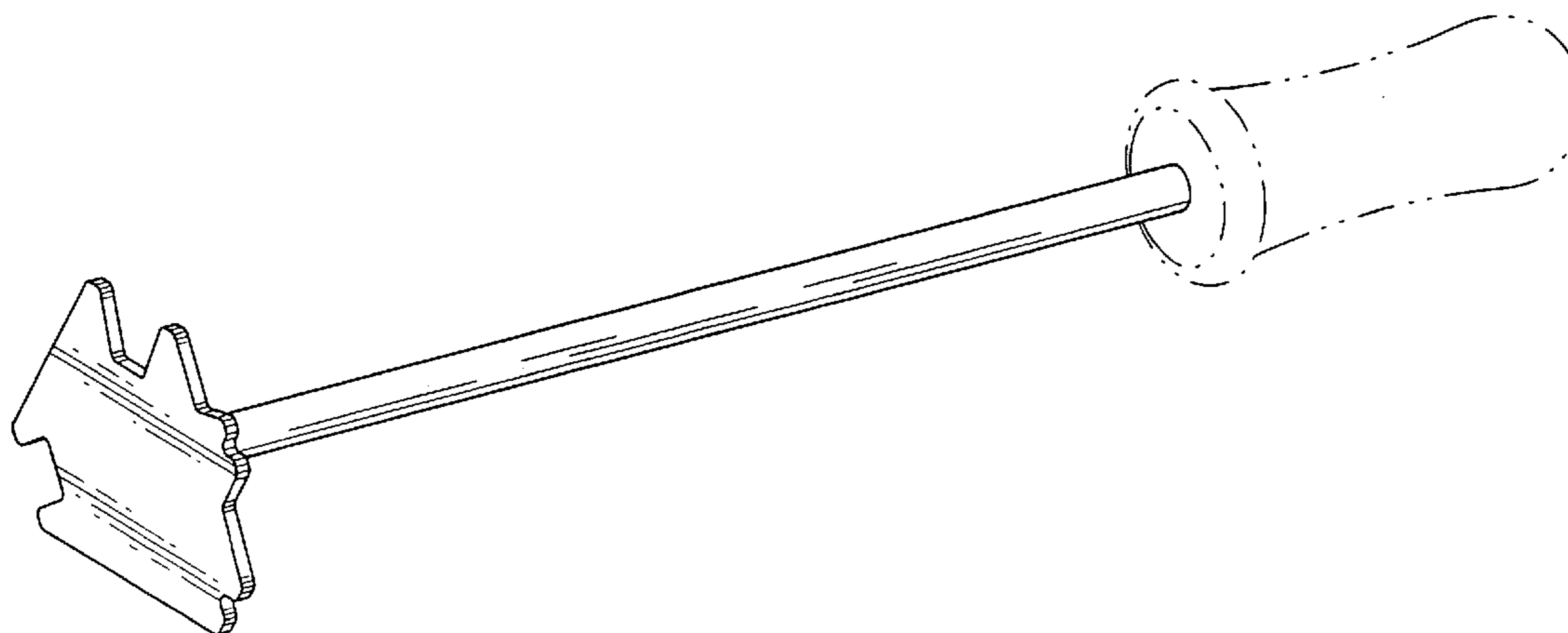
**DESCRIPTION**

FIG. 1 is a left front perspective of a cleaning tool, showing my new design;

FIG. 2 is a front elevational view, thereof;  
 FIG. 3 is a top plan view, thereof;  
 FIG. 4 is an elevational view of one side, thereof;  
 FIG. 5 is a bottom plan view, thereof; and,  
 FIG. 6 is an elevational view of the other side, thereof; and,  
 FIG. 7 is a rear elevational view, thereof;  
 FIG. 8 is a left front perspective view of a second embodiment of the cleaning tool;  
 FIG. 9 is a front elevational view, thereof;  
 FIG. 10 is a top plan view, thereof;  
 FIG. 11 is an elevational view of one side, thereof;  
 FIG. 12 is a bottom plan view, thereof;  
 FIG. 13 is an elevational view of the other side, thereof; and  
 FIG. 14 is a rear elevational view, thereof;  
 FIG. 15 is a left front perspective view of a third embodiment of the cleaning tool;  
 FIG. 16 is a front elevational view, there;  
 FIG. 17 is a top plan view, thereof;  
 FIG. 18 is an elevational view of one side, thereof;  
 FIG. 19 is a bottom plan view, thereof;  
 FIG. 20 is an elevational view of the other side, thereof; and,  
 FIG. 21 is a rear elevational view, thereof.

The broken line representations of a handle shown in the various views is included solely for illustrative purposes, forming no part of the claimed design.

**1 Claim, 3 Drawing Sheets**



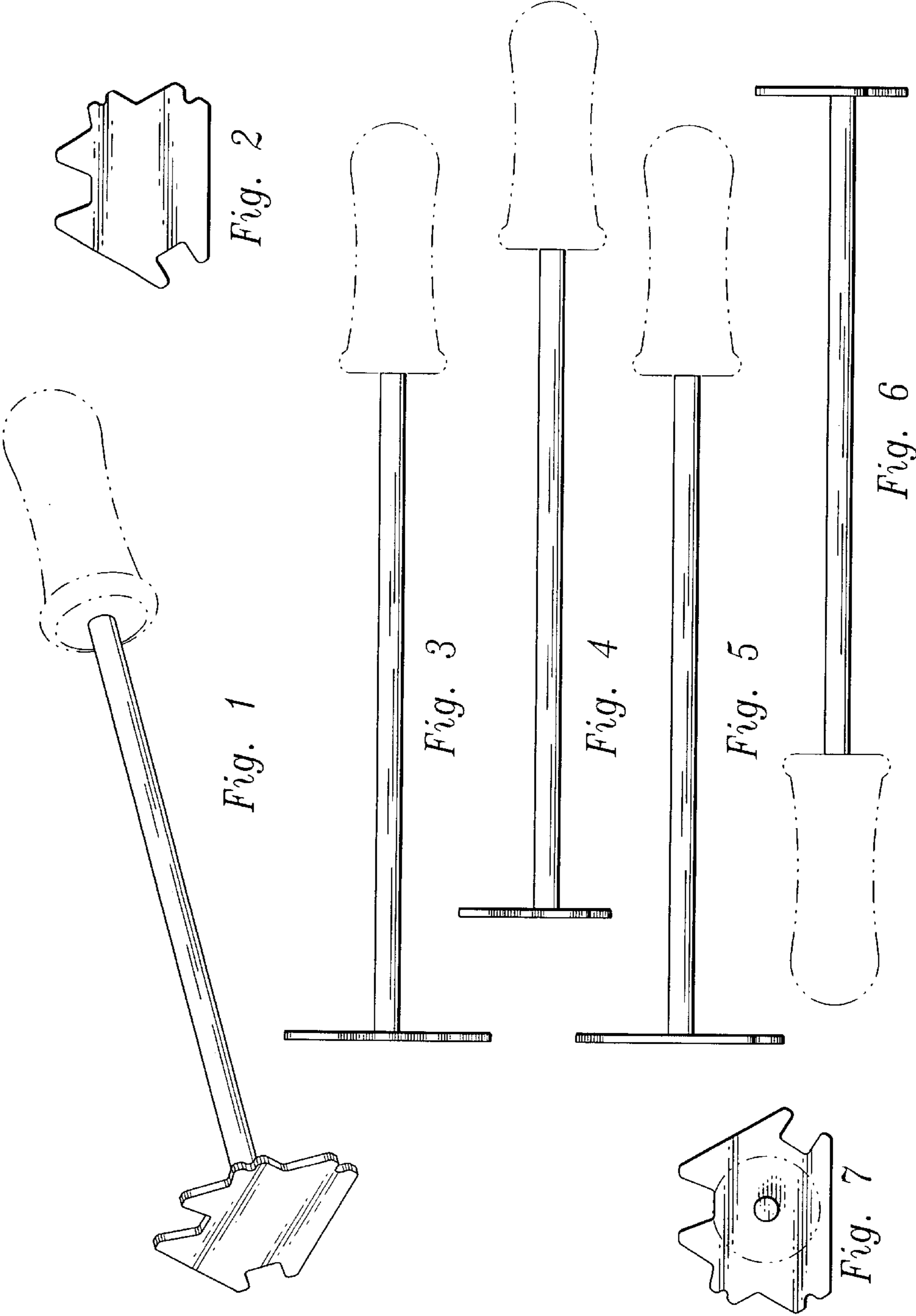


Fig. 2

Fig. 1

Fig. 3

Fig. 4

Fig. 5

Fig. 6

Fig. 7

