



US00D511087S

(12) **United States Design Patent**
Okamoto

(10) **Patent No.:** **US D511,087 S**

(45) **Date of Patent:** **** Nov. 1, 2005**

(54) **HANGER TIE**

(75) **Inventor:** **Isao Okamoto, Katano (JP)**

(73) **Assignee:** **Nichido Kogyo Kabushiki Kaisha,**
Osaka (JP)

(**) **Term:** **14 Years**

(21) **Appl. No.:** **29/207,438**

(22) **Filed:** **Jun. 14, 2004**

(30) **Foreign Application Priority Data**

May 24, 2004 (JP) 2004-015147

(51) **LOC (8) Cl.** **08-05**

(52) **U.S. Cl.** **D8/354**

(58) **Field of Search** D8/354, 356, 349,
D8/366-373, 380-381; 223/87, 85; 211/119,
123; 24/16 PB; 403/187; 206/806, 294,
495, 292; 248/74.3, 74.5, 300, 301

(56) **References Cited**

U.S. PATENT DOCUMENTS

- 1,813,932 A * 7/1931 Kennard 211/119
- 2,889,934 A * 6/1959 Vidach 223/85
- 3,381,865 A * 5/1968 Pehr 223/87
- 3,592,343 A * 7/1971 Swett et al. 211/123
- 3,605,199 A * 9/1971 Bernardt 24/16 PB
- 4,272,047 A * 6/1981 Botka 248/74.3

- D273,176 S * 3/1984 Abbott D8/356
- 4,447,934 A * 5/1984 Anscher 248/74.3
- D283,300 S * 4/1986 Muramatsu et al. D8/356
- D321,470 S * 11/1991 Gerrard D8/356
- 5,505,351 A * 4/1996 Najarian 223/85
- D383,373 S * 9/1997 Boeshart D8/354
- D436,018 S * 1/2001 Boeshart D8/354

* cited by examiner

Primary Examiner—Ruth McInroy

Assistant Examiner—Terrence Huang

(74) *Attorney, Agent, or Firm*—Ditthavong & Carlson, P.C.

(57) **CLAIM**

The ornamental design for a hanger tie, as shown and described.

DESCRIPTION

FIG. 1 is a front view of a hanger tie showing my new design;
 FIG. 2 is a rear view thereof;
 FIG. 3 is a right side view thereof;
 FIG. 4 is a left side view thereof;
 FIG. 5 is a top plan view thereof;
 FIG. 6 is a bottom plan view thereof;
 FIG. 7 is a cross sectional view thereof taken along the line 7—7 in FIG. 1; and,
 FIG. 8 is a perspective view thereof showing the state in which a hanger tie is used.

1 Claim, 4 Drawing Sheets

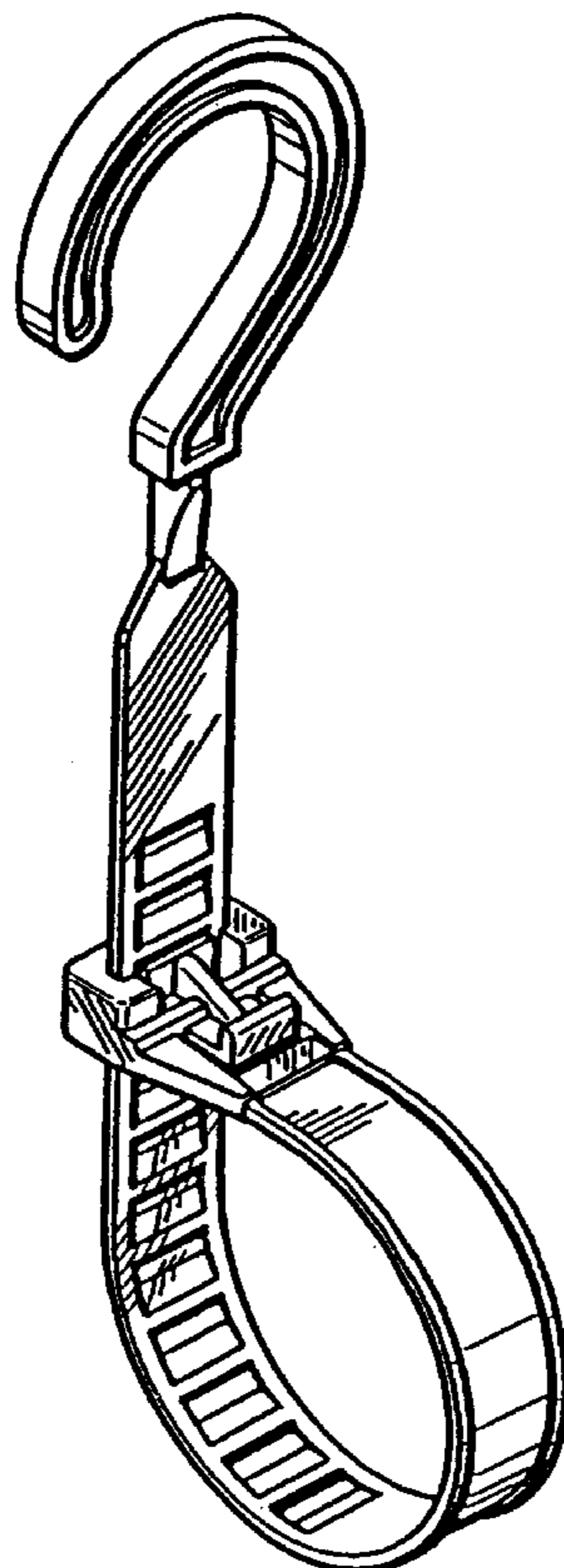


FIG.1

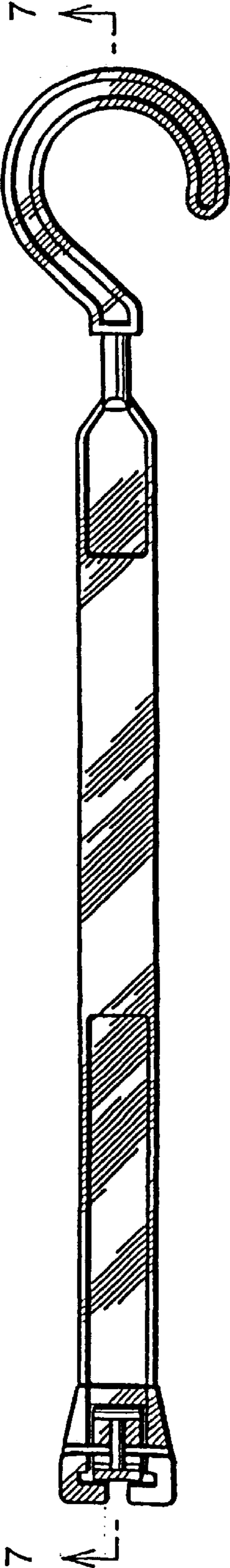


FIG.2

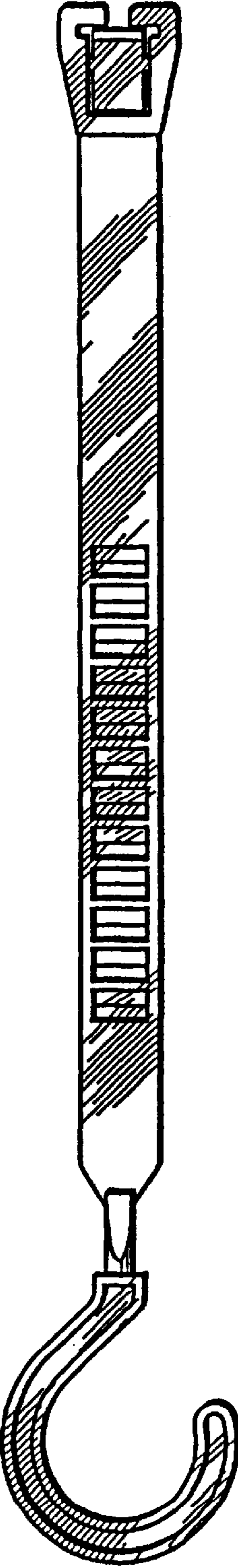


FIG.4



FIG.3



FIG.5



FIG.6



FIG.7



FIG.8

