

US00D511086S

(12) **United States Design Patent**
Craine

(10) **Patent No.: US D511,086 S**

(45) **Date of Patent: ** Nov. 1, 2005**

(54) **ROOF TO WALL BRACKET**

(76) Inventor: **Keith E. Craine**, 1131 N. 3rd St.,
Coeur'd Alene, ID (US) 83814

(**) Term: **14 Years**

(21) Appl. No.: **29/198,994**

(22) Filed: **Feb. 6, 2004**

(51) **LOC (8) Cl. 08-05**

(52) **U.S. Cl. D8/354**

(58) **Field of Search** D8/354, 343, 363,
D8/349, 355, 380; D12/223; 280/96.1;
248/300, 200, 140, 235, 237, 250

(56) **References Cited**

U.S. PATENT DOCUMENTS

D226,808 S	*	5/1973	Rollins	D8/380
D368,647 S	*	4/1996	Koebbe	D8/355
D382,245 S	*	8/1997	Bedrosian et al.	D8/354
D408,716 S	*	4/1999	Vesledahl	D8/354
D408,722 S	*	4/1999	Sartini	D8/363
D430,789 S	*	9/2000	Opperman	D8/363
D437,282 S	*	2/2001	Joll	D8/354
D451,004 S	*	11/2001	Lewis	D8/380

D476,217 S	*	6/2003	Shea	D8/354
D485,484 S	*	1/2004	McCoy et al.	D8/343
D492,889 S	*	7/2004	Craine	D8/354
D500,666 S	*	1/2005	Murphy et al.	D8/354
D500,667 S	*	1/2005	Murphy et al.	D8/354

* cited by examiner

Primary Examiner—Ruth McInroy

Assistant Examiner—Terrence Huang

(74) *Attorney, Agent, or Firm*—Dean A. Craine

(57) **CLAIM**

The ornamental design for a roof to wall bracket, as shown and described.

DESCRIPTION

FIG. 1 is a perspective view of a roof to wall bracket showing my new design;

FIG. 2 is a right side elevational view thereof;

FIG. 3 is a left side elevational view thereof;

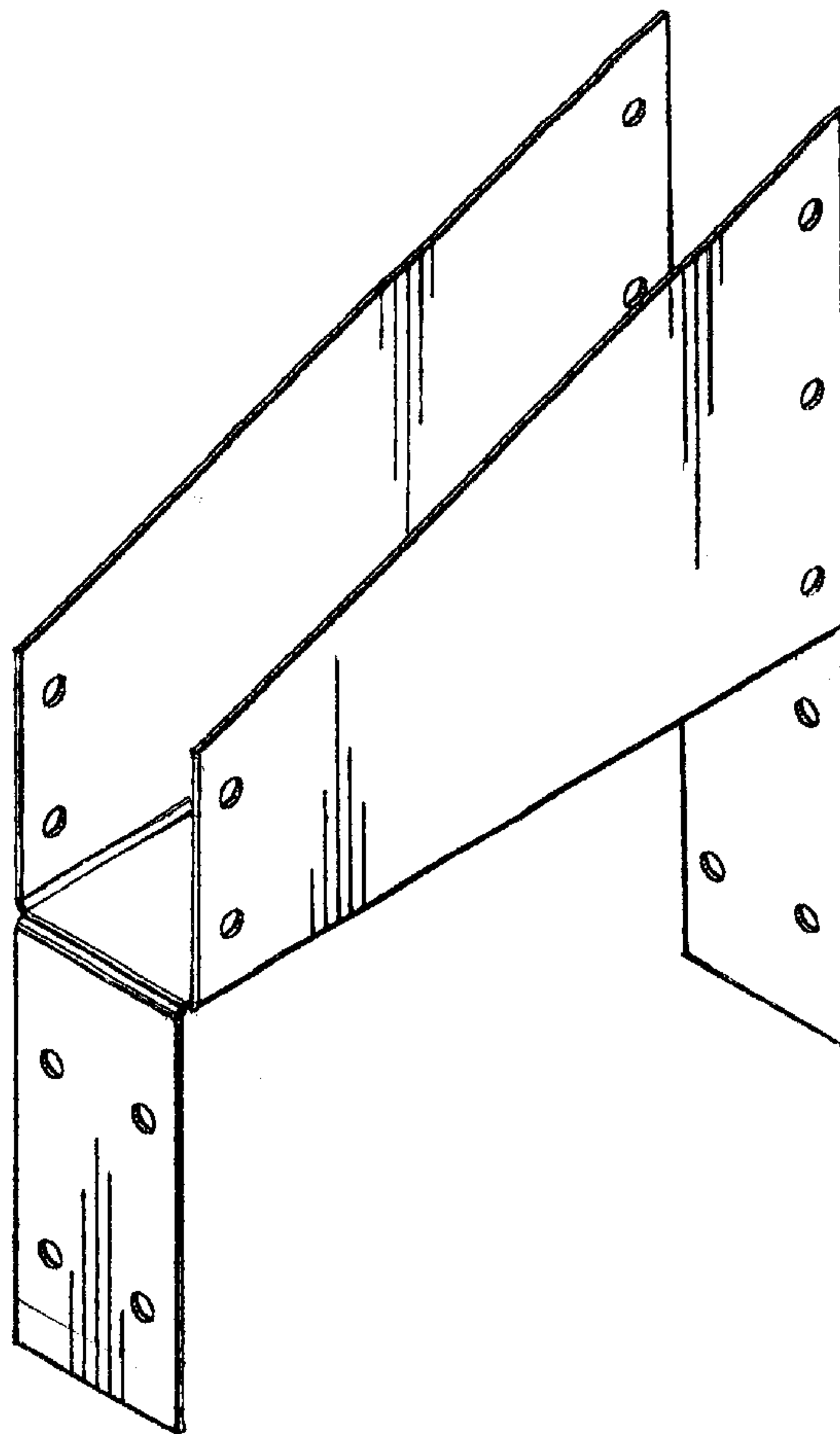
FIG. 4 is a top plan view thereof;

FIG. 5 is a bottom plan view thereof;

FIG. 6 is a rear elevational view thereof; and,

FIG. 7 is a front elevational view thereof.

1 Claim, 3 Drawing Sheets



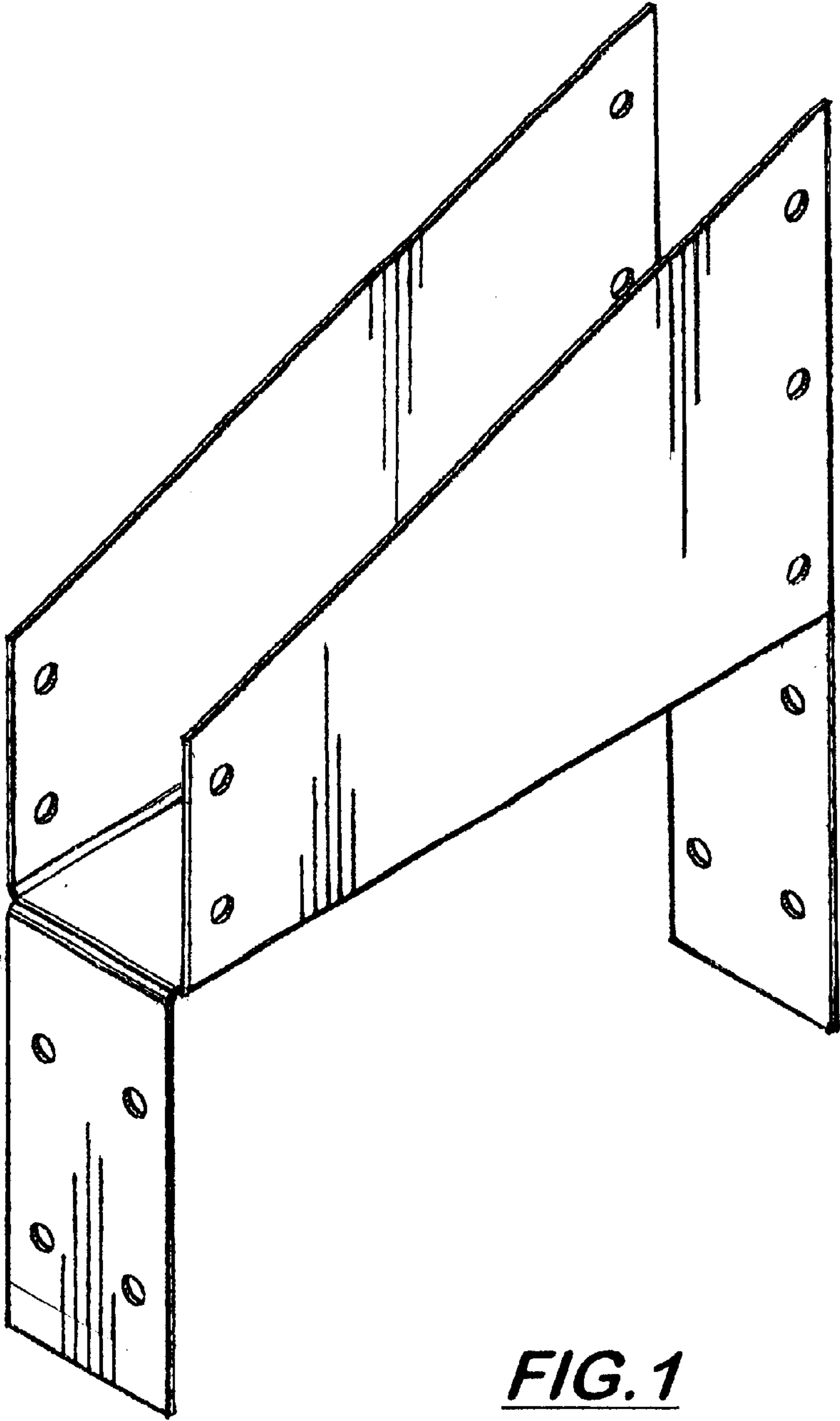


FIG. 1

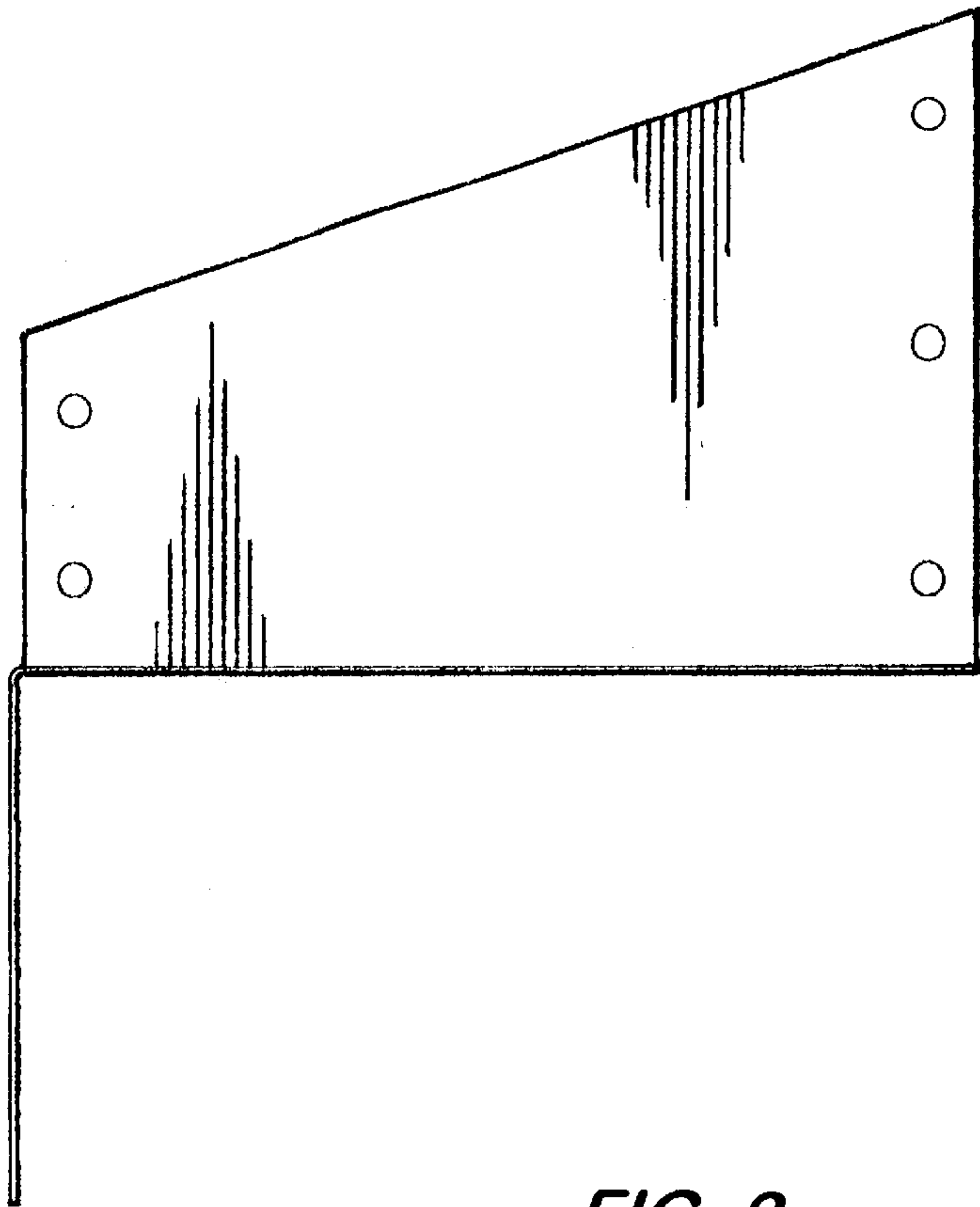


FIG. 2

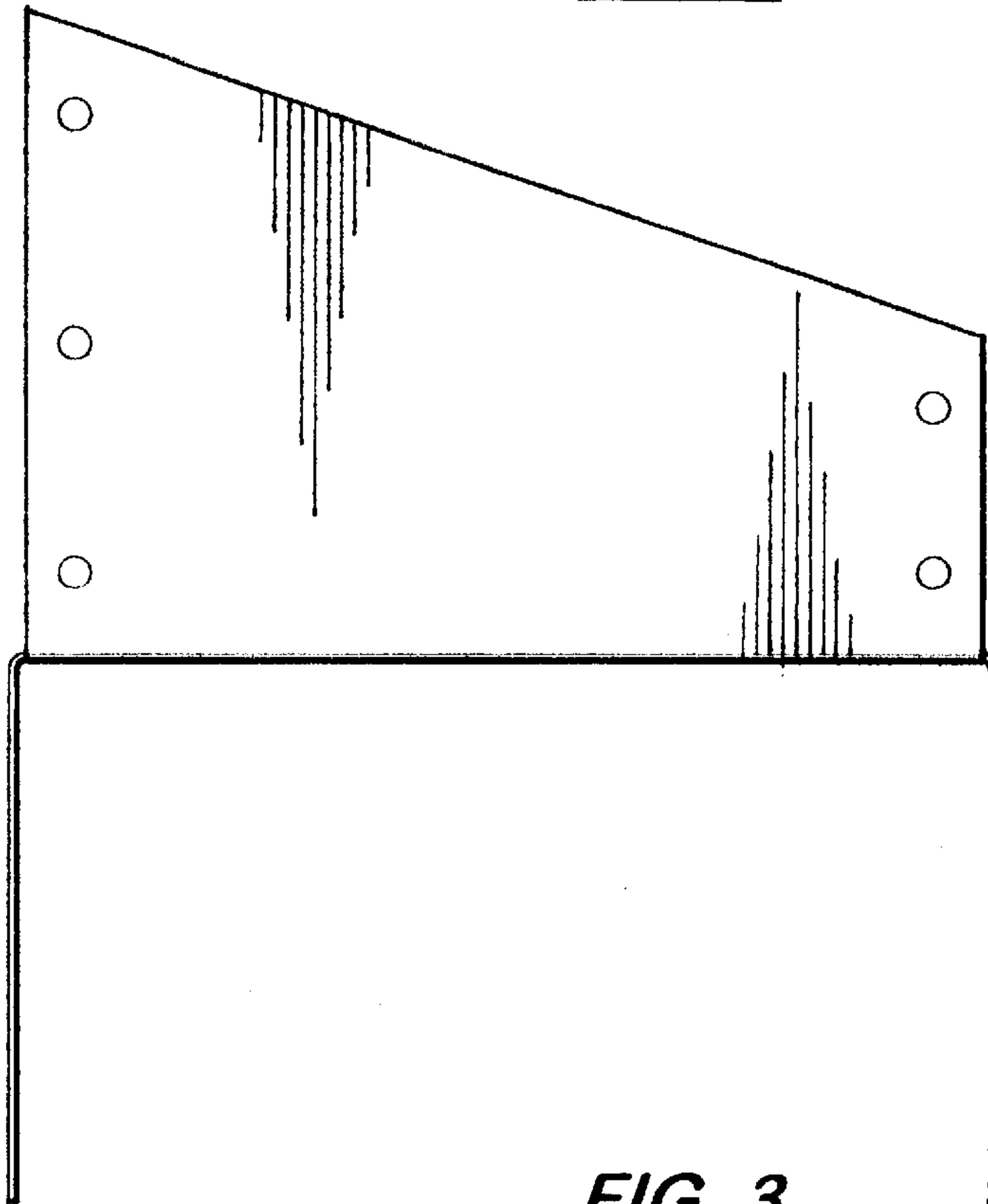


FIG. 3

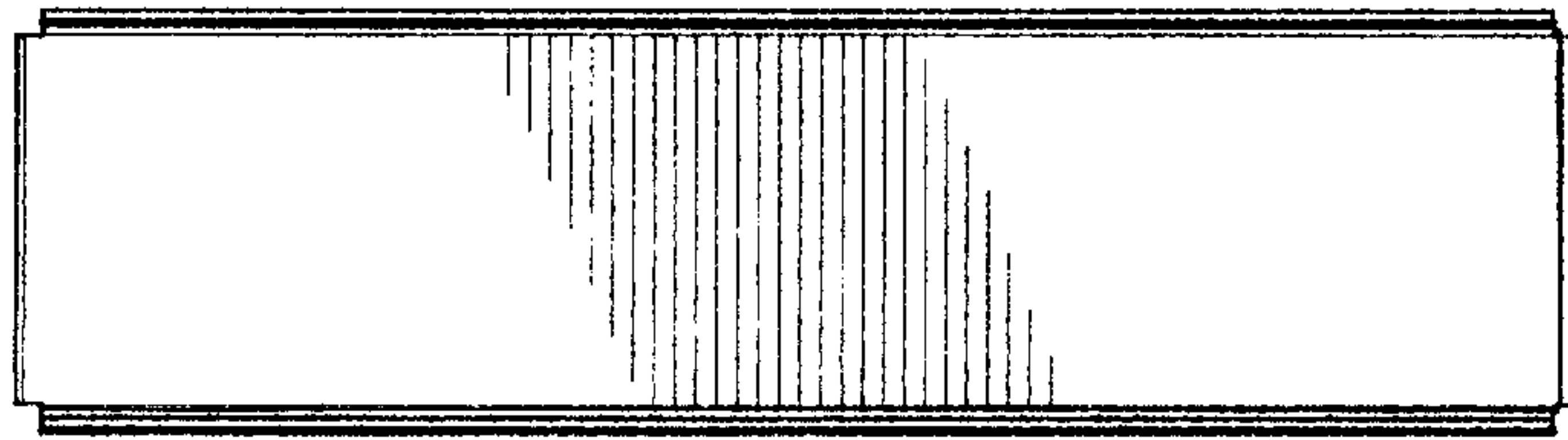


FIG. 4

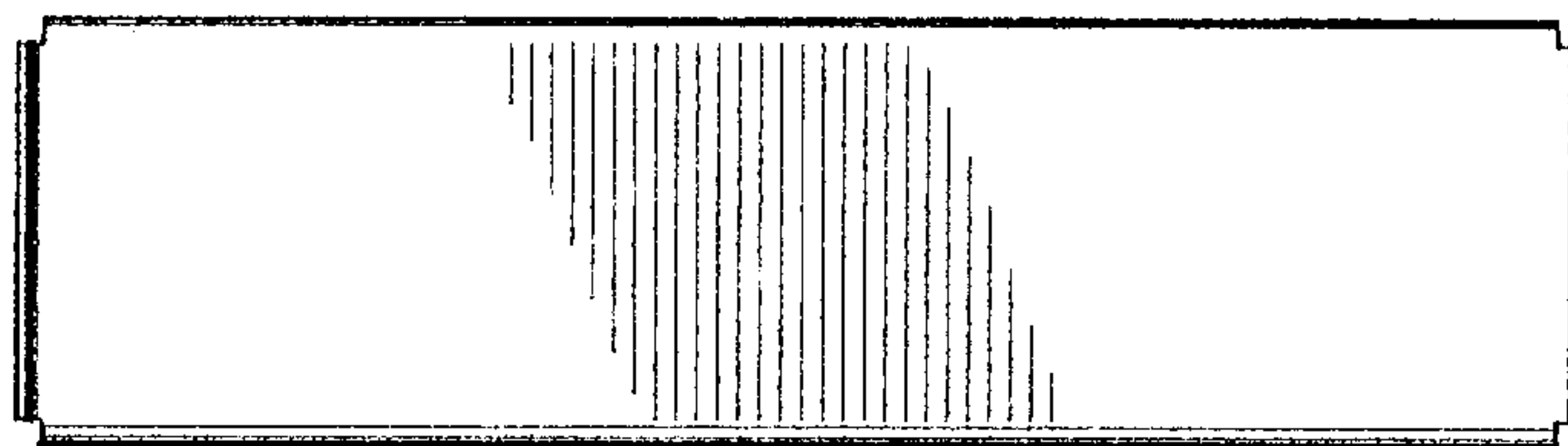


FIG. 5

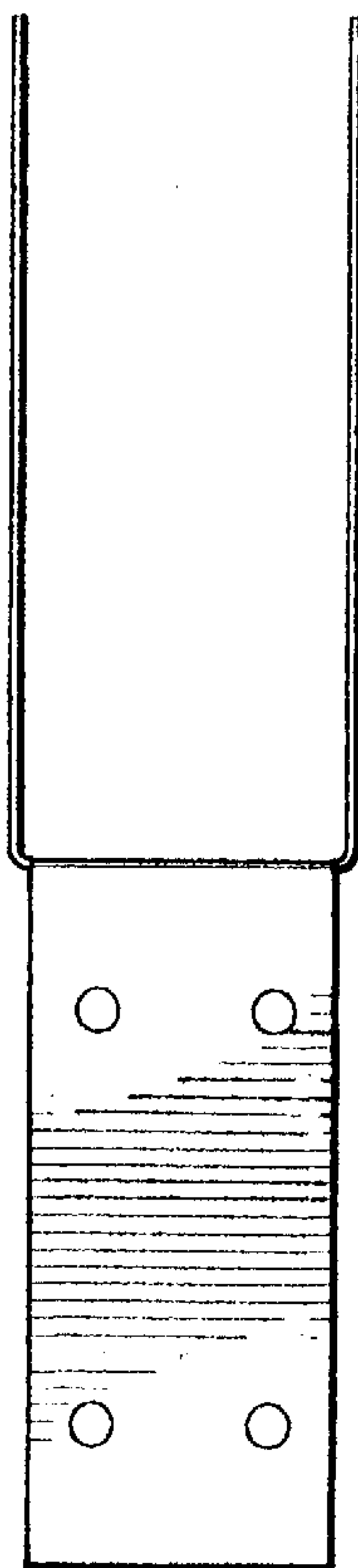


FIG. 6

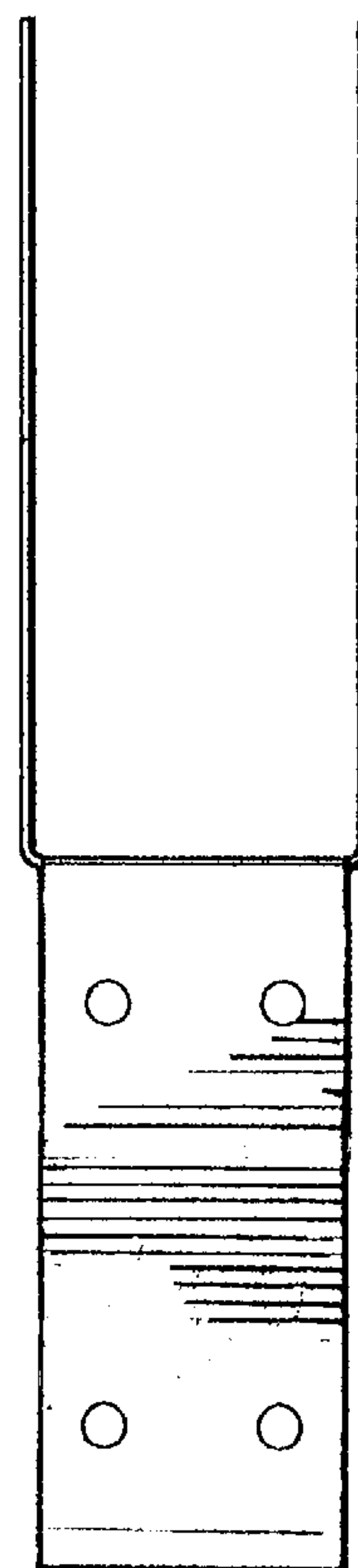


FIG. 7