



US00D511082S

(12) **United States Design Patent**  
**Chen**

(10) **Patent No.:** **US D511,082 S**

(45) **Date of Patent:** **\*\* Nov. 1, 2005**

(54) **HAMMER HANDLE**

(76) **Inventor:** **John Chen**, No. 1 Alley 66 Lane 216  
Gong Yeh Road. Chung Ho Tsuen,  
Long-Ching Town Taichung Hsien  
(TW)

(\*\*) **Term:** **14 Years**

(21) **Appl. No.:** **29/203,871**

(22) **Filed:** **Apr. 21, 2004**

(51) **LOC (8) Cl.** ..... **08-02**

(52) **U.S. Cl.** ..... **D8/80; D8/107**

(58) **Field of Search** ..... D8/75, 76, 77,  
D8/78, 79, 80, 81, 107; 81/20, 21, 22, 23,  
24, 25, 26; 254/26 R, 26 E; 16/110 R

(56) **References Cited**

**U.S. PATENT DOCUMENTS**

- D387,649 S \* 12/1997 Concari et al. .... D8/107
- D424,399 S \* 5/2000 Staton ..... D8/107
- D424,903 S \* 5/2000 Hreha et al. .... D8/80
- D426,129 S \* 6/2000 Pringle et al. .... D8/80
- D444,689 S \* 7/2001 Staton et al. .... D8/80
- D466,390 S \* 12/2002 Hung ..... D8/107
- D470,380 S \* 2/2003 Huang ..... D8/75

- D478,492 S \* 8/2003 Levine et al. .... D8/80
- 6,619,408 B1 \* 9/2003 Lai ..... 173/90
- D481,292 S \* 10/2003 Chen ..... D8/107

\* cited by examiner

*Primary Examiner*—Philip S. Hyder

(74) *Attorney, Agent, or Firm*—Bacon & Thomas

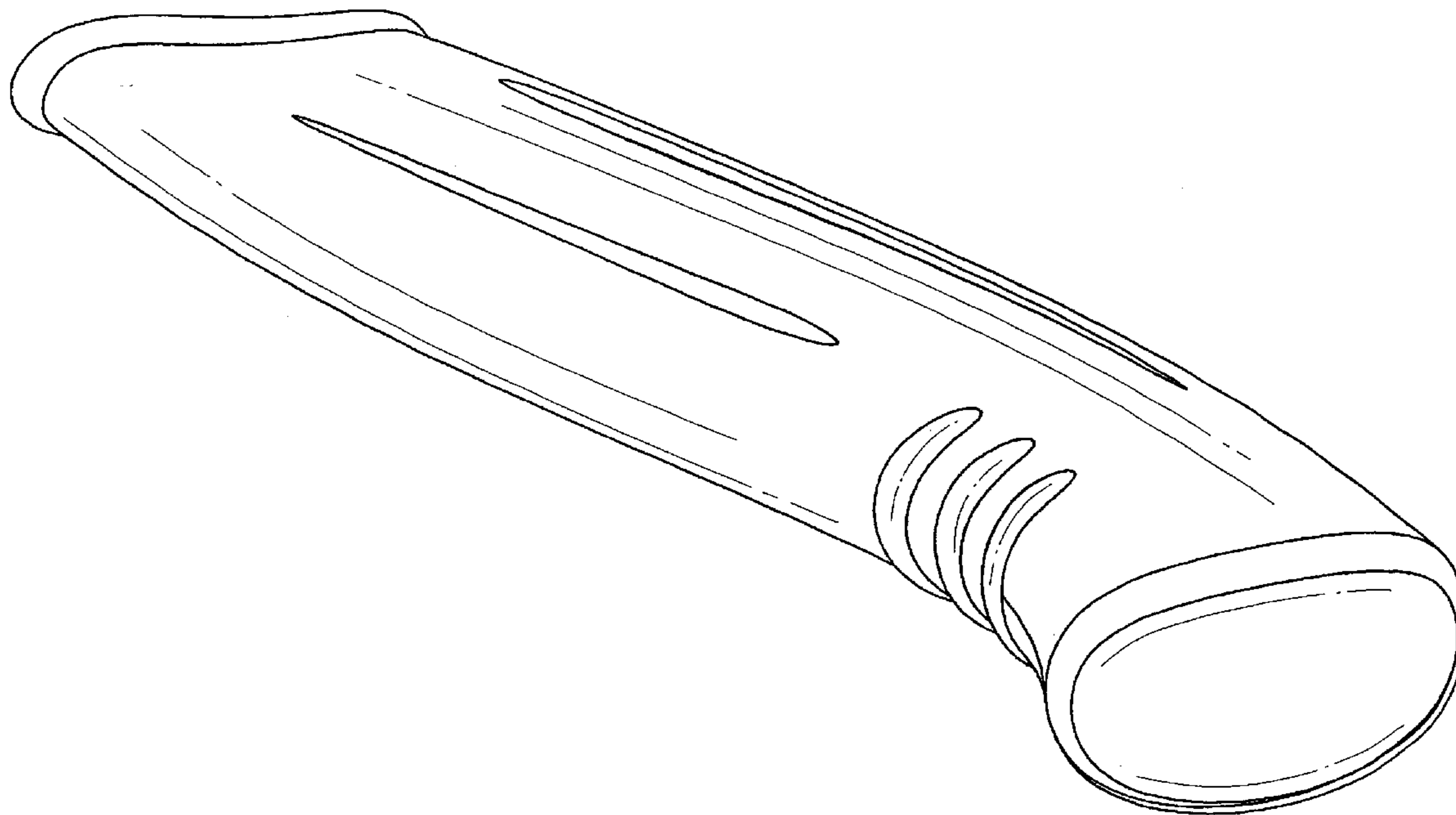
(57) **CLAIM**

The ornamental design for a hammer handle, as shown and described.

**DESCRIPTION**

FIG. 1 is a front-right-top perspective view of a hammer handle, showing my new design;  
 FIG. 2 is a front elevational view thereof;  
 FIG. 3 is a rear elevational view thereof;  
 FIG. 4 is a left side elevational view thereof;  
 FIG. 5 is a right side elevational view thereof;  
 FIG. 6 is a top plan view thereof, the bottom plan view being a mirror image thereof; and,  
 FIG. 7 is a perspective view showing an embodiment of the claimed design, wherein the broken lines are shown for illustrative purposes only and form no part of the claimed design.

**1 Claim, 6 Drawing Sheets**



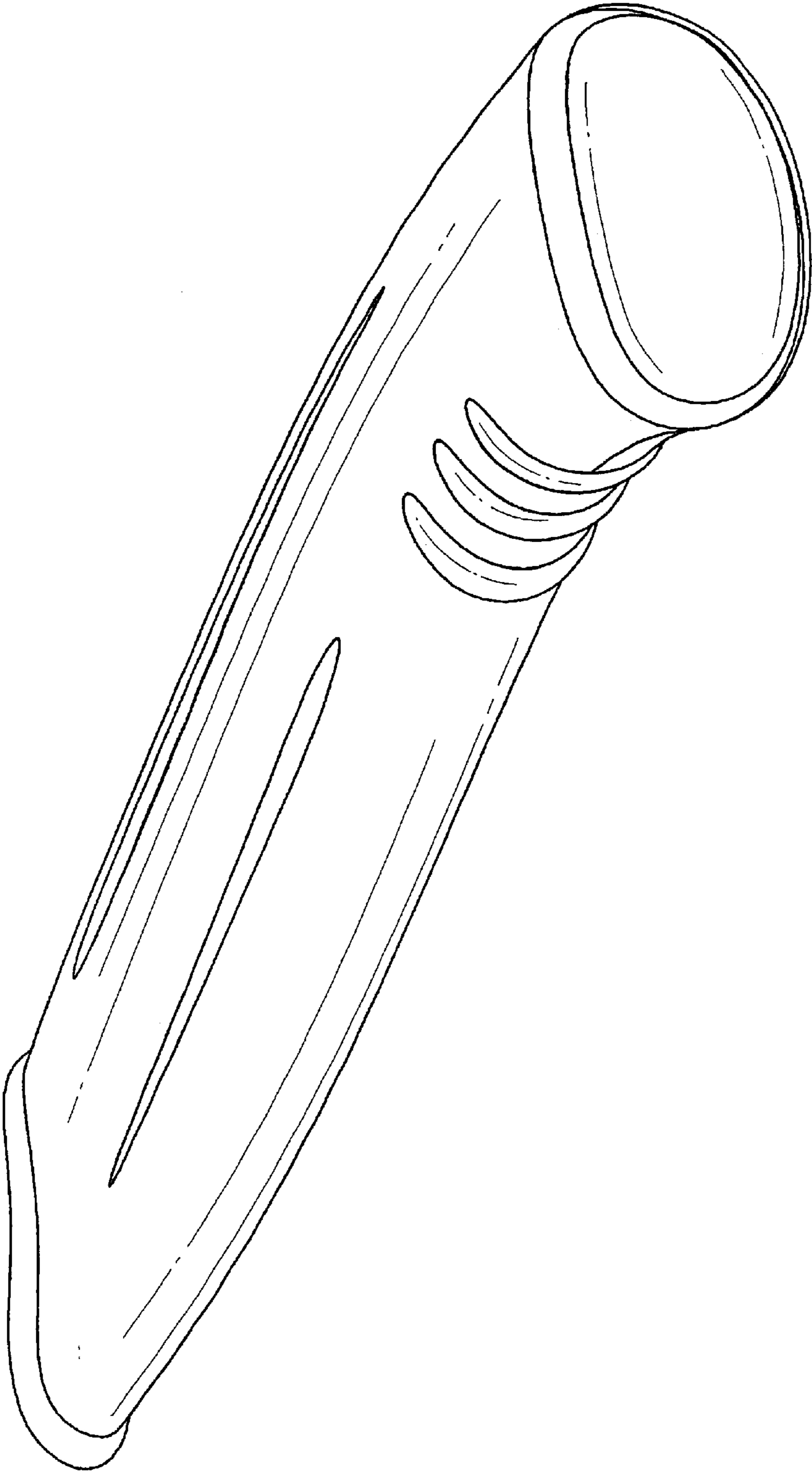


FIG. 1

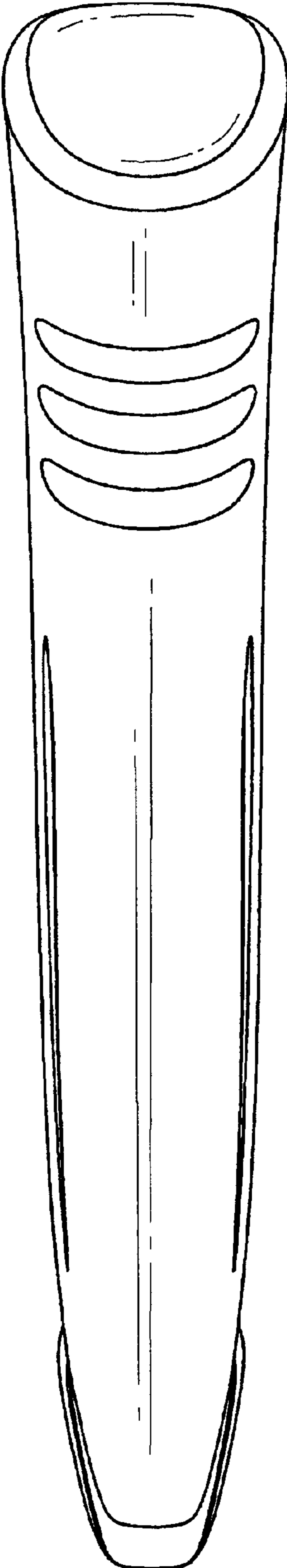


FIG. 2

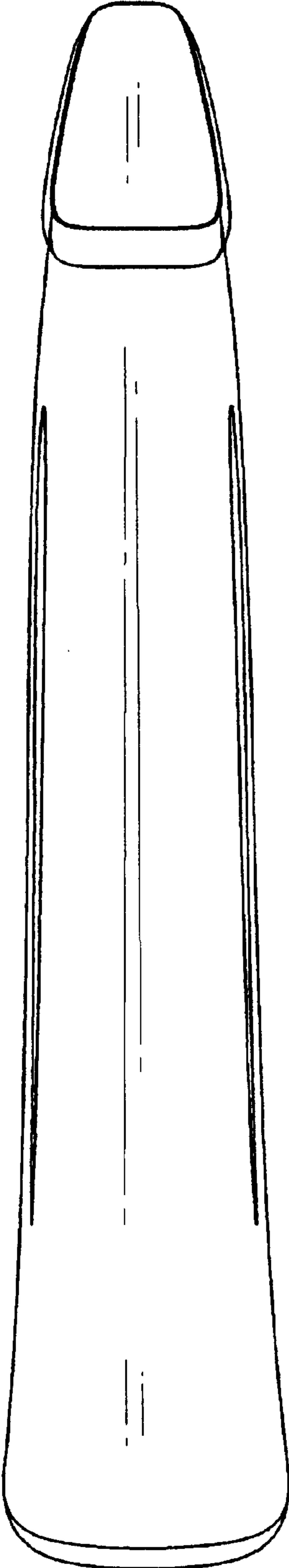


FIG. 3

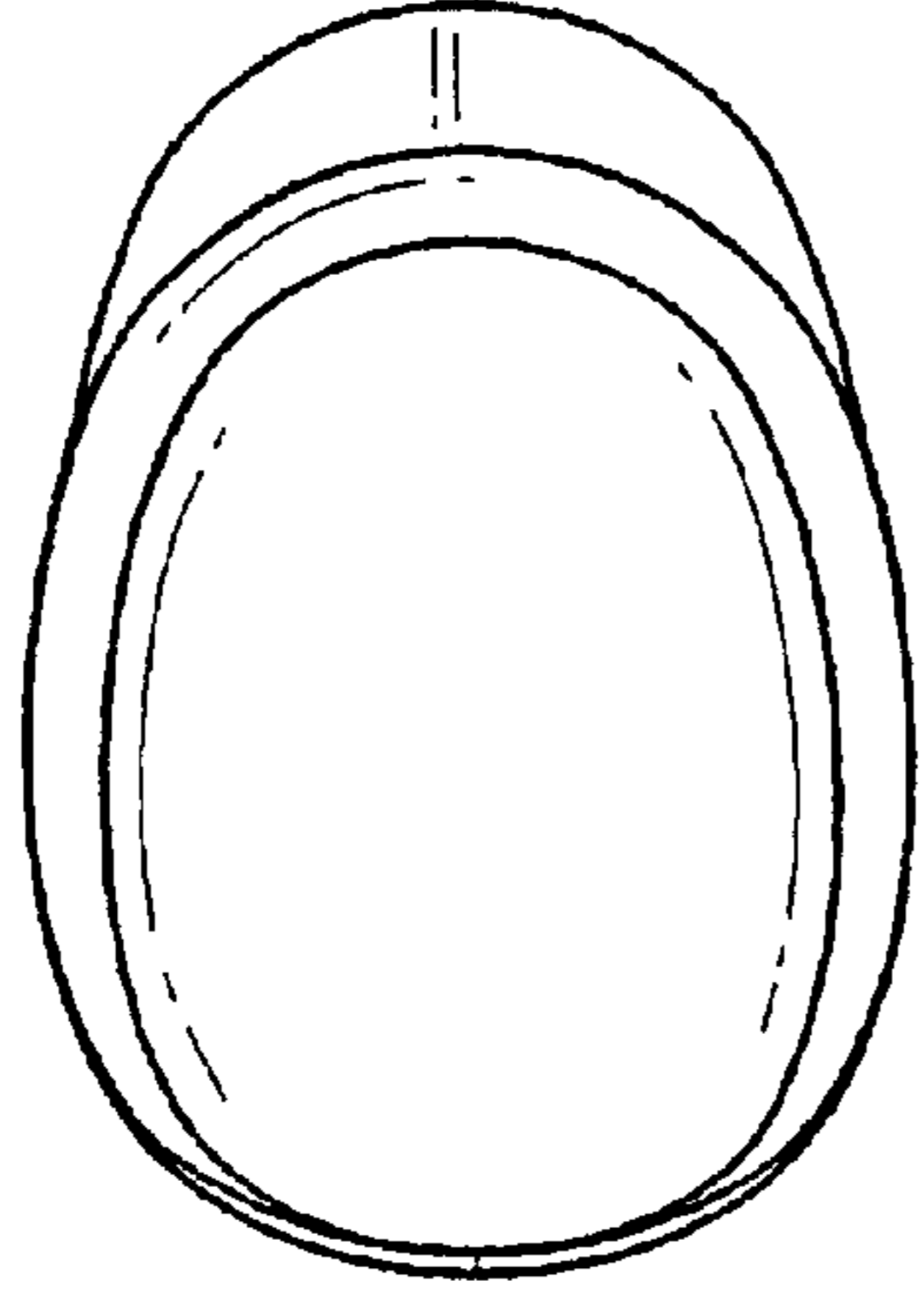


FIG. 5

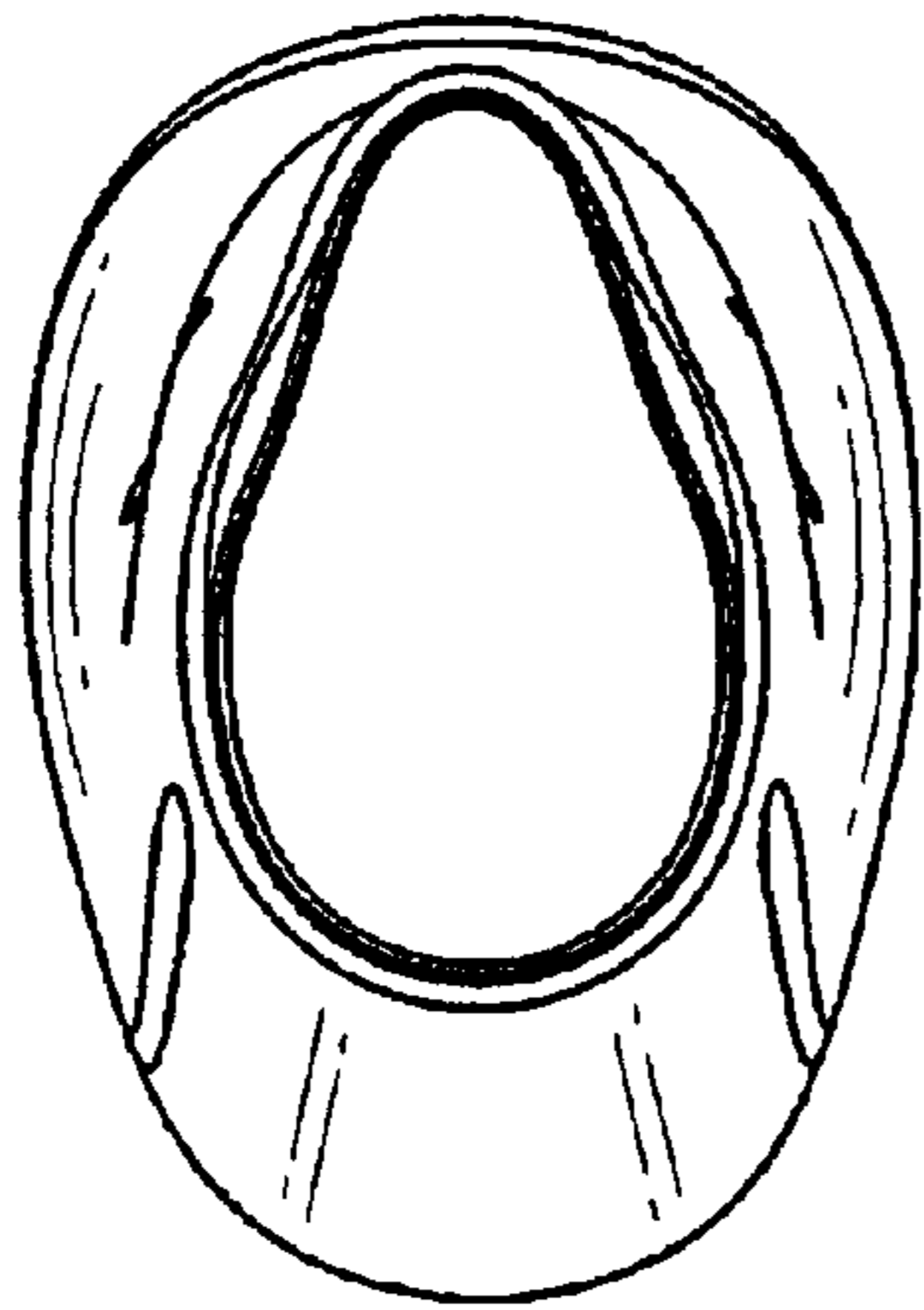


FIG. 4



FIG. 6

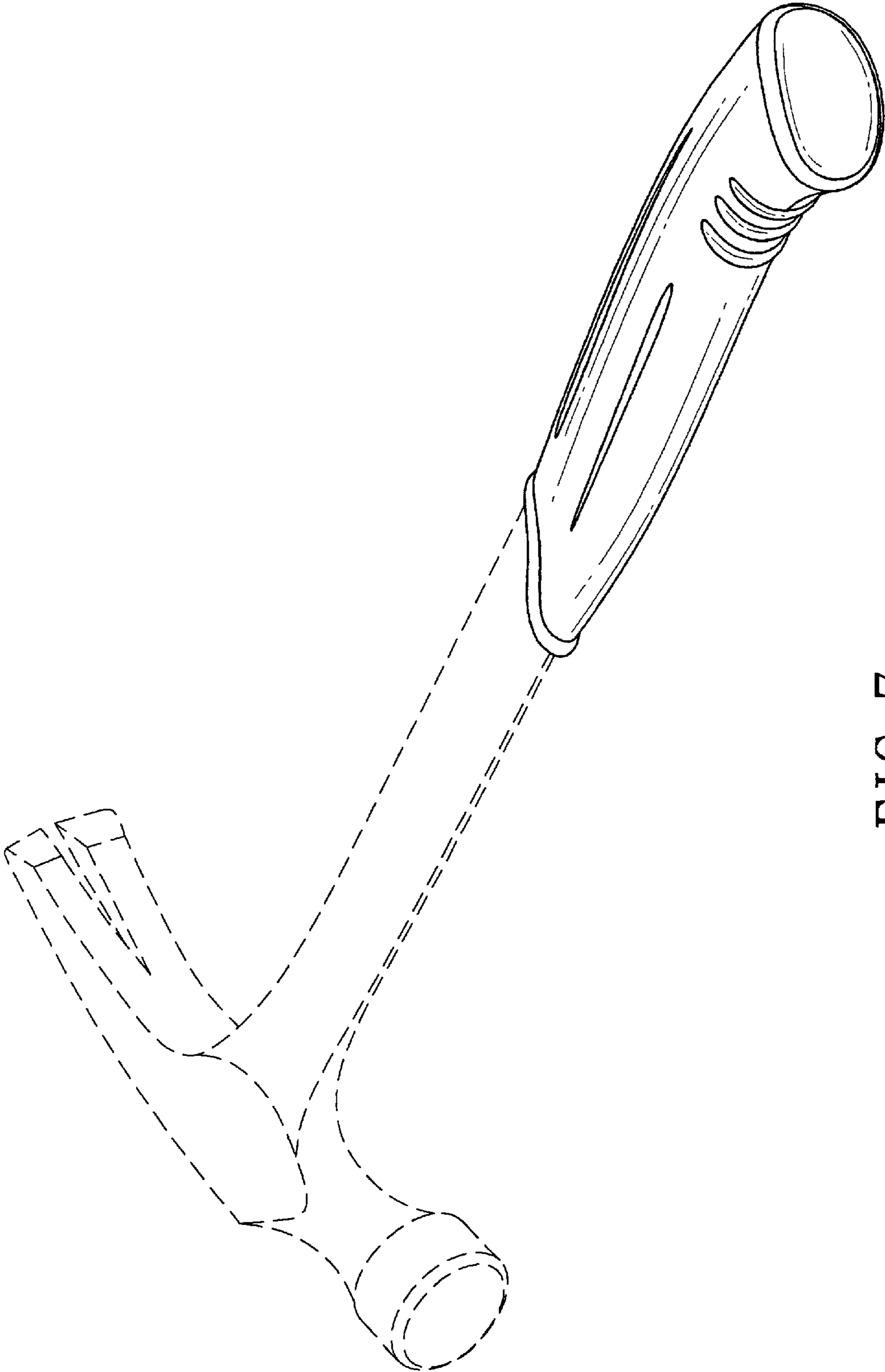


FIG. 7