



US00D511079S

(12) **United States Design Patent**  
**Ozawa et al.**

(10) **Patent No.:** **US D511,079 S**

(45) **Date of Patent:** **\*\* Nov. 1, 2005**

(54) **PORTABLE ELECTRIC ROUTER**

(75) Inventors: **Takashi Ozawa**, Hitachinaka (JP);  
**Masato Sakai**, Hitachinaka (JP);  
**Takeshi Taniguchi**, Hitachinaka (JP);  
**Akira Onose**, Hitachinaka (JP); **Hiroki Uchida**, Hitachinaka (JP)

(73) Assignee: **Hitachi Koki Co., Ltd.**, Tokyo (JP)

(\*\*) Term: **14 Years**

(21) Appl. No.: **29/214,026**

(22) Filed: **Sep. 28, 2004**

(30) **Foreign Application Priority Data**

Mar. 30, 2004 (JP) ..... 2004-009733

(51) **LOC (8) Cl.** ..... **08-01**

(52) **U.S. Cl.** ..... **D8/67**

(58) **Field of Search** ..... D8/61, 62, 67;  
144/134.1, 135.2, 136.1, 136.95, 154.5,  
252.1; 409/180, 181, 182; 451/344, 356,  
357

(56) **References Cited**

**U.S. PATENT DOCUMENTS**

5,370,165 A \* 12/1994 Stornetta ..... 144/144.1

5,909,987 A \* 6/1999 Coffey et al. .... 409/131  
5,913,645 A \* 6/1999 Coffey ..... 409/182  
D470,736 S \* 2/2003 Lopano ..... D8/67  
D495,226 S \* 8/2004 Grant et al. .... D8/61  
2003/0188441 A1 \* 10/2003 Patton ..... 30/381

\* cited by examiner

*Primary Examiner*—Elizabeth Albert

(74) *Attorney, Agent, or Firm*—Sughrue Mion, PLLC

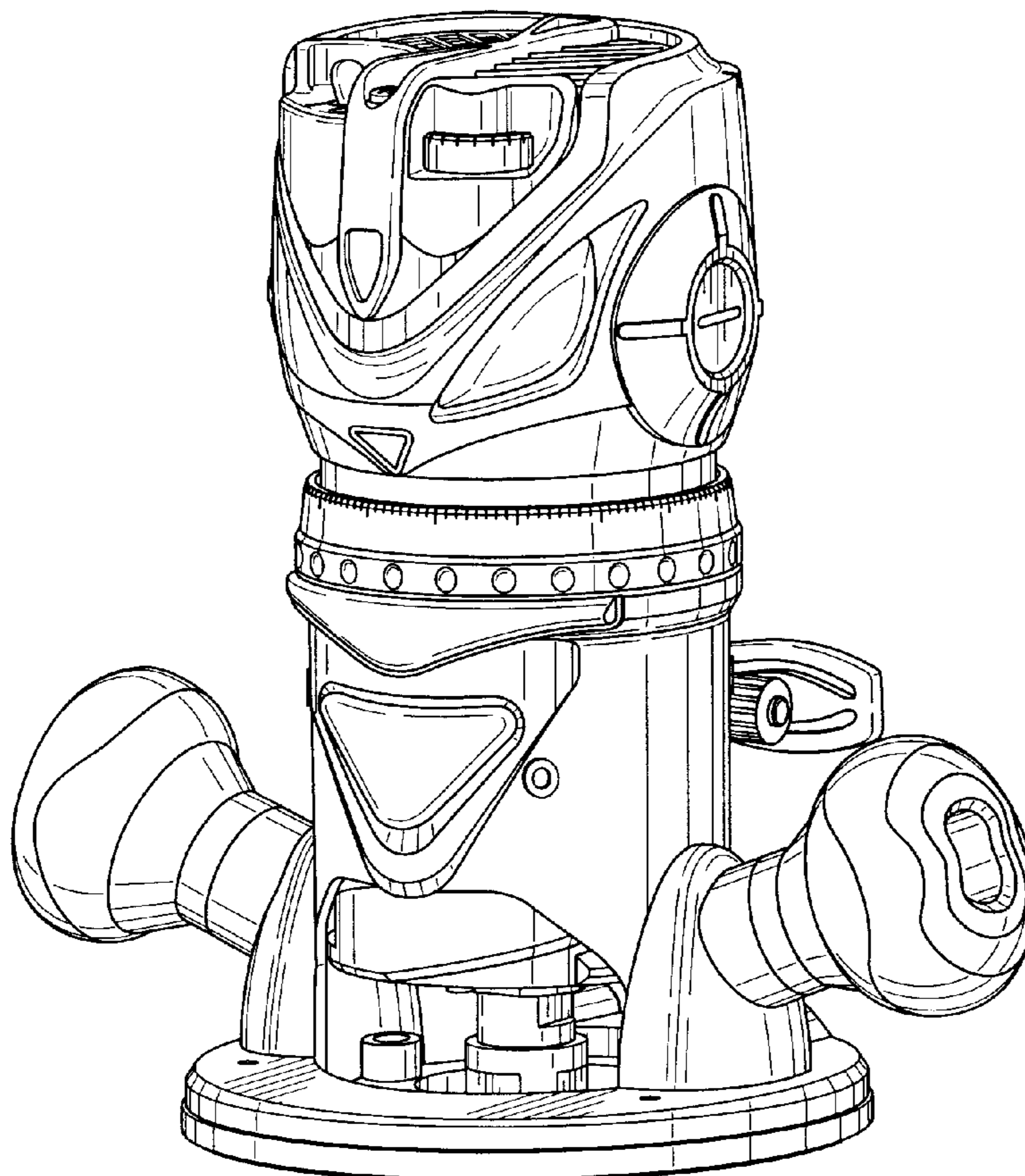
(57) **CLAIM**

The ornamental design for a portable electric router, as shown and described.

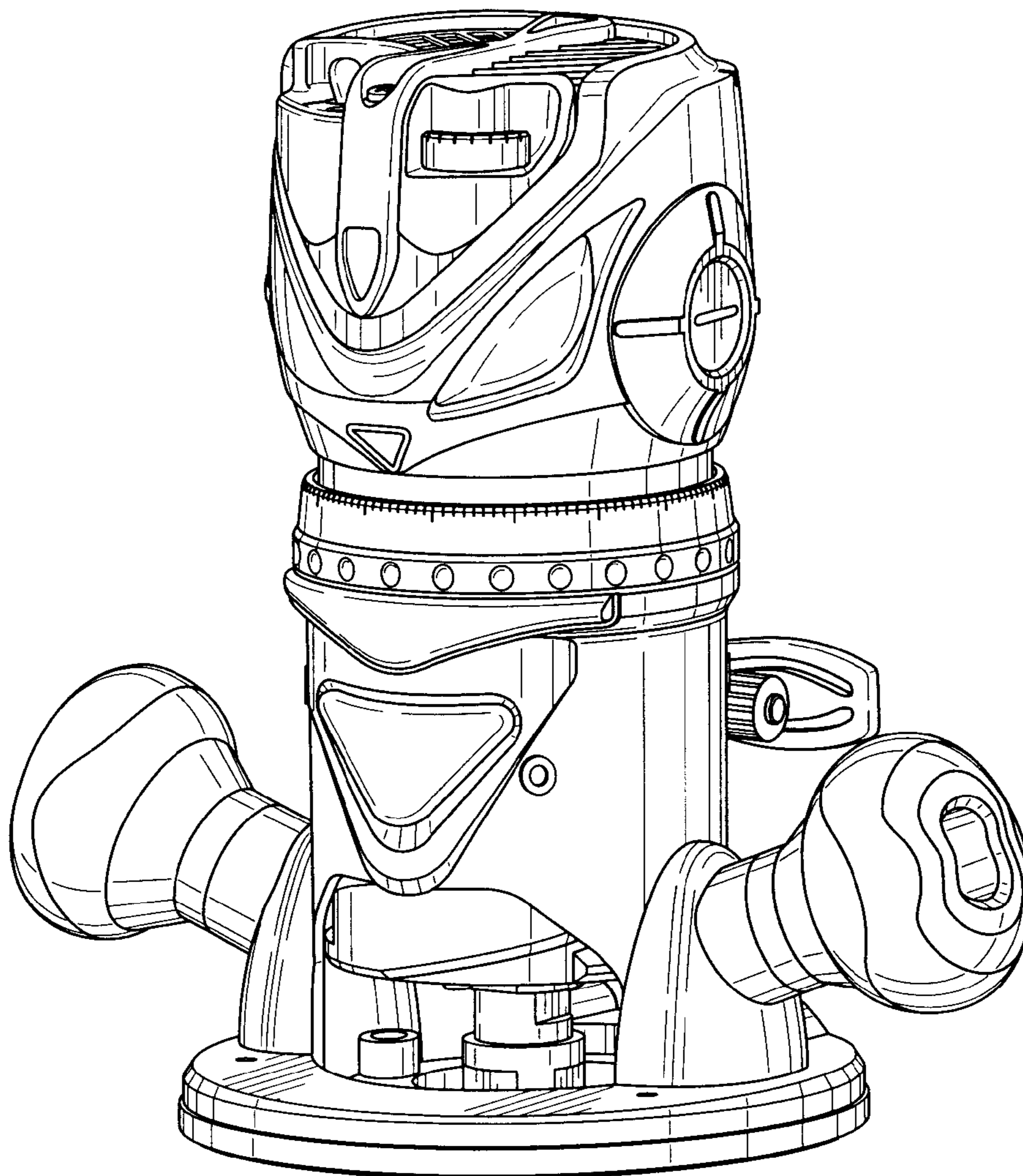
**DESCRIPTION**

FIG. 1 is a perspective view of the top, front and right side of a portable electric router showing our new design; FIG. 2 is a front elevational view thereof; FIG. 3 is a rear elevational view thereof; FIG. 4 is a left side elevational view thereof; FIG. 5 is a right side elevational view thereof; FIG. 6 is a top plan view thereof; and, FIG. 7 is a perspective view similar to FIG. 1 in the extended position.

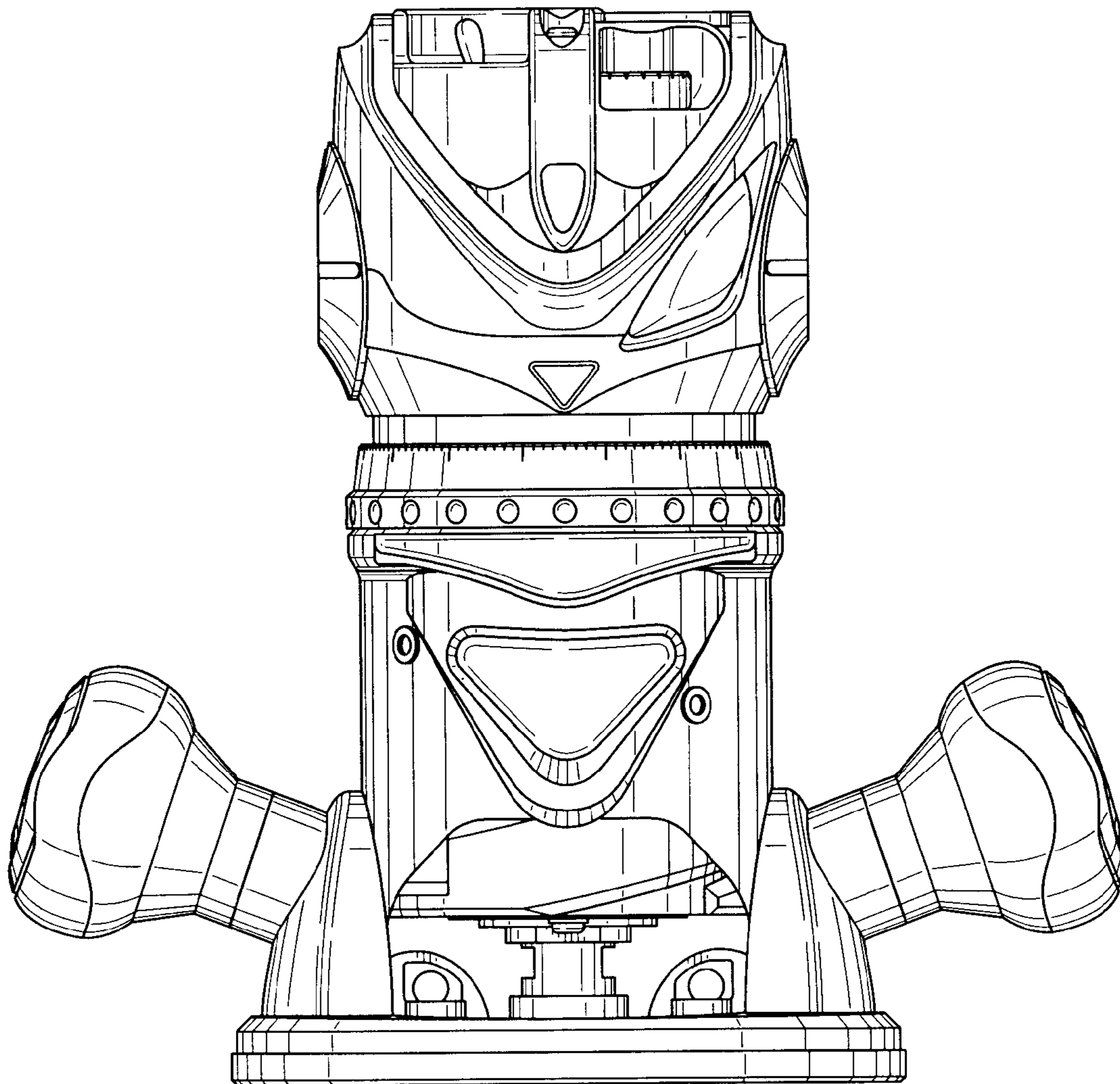
**1 Claim, 7 Drawing Sheets**



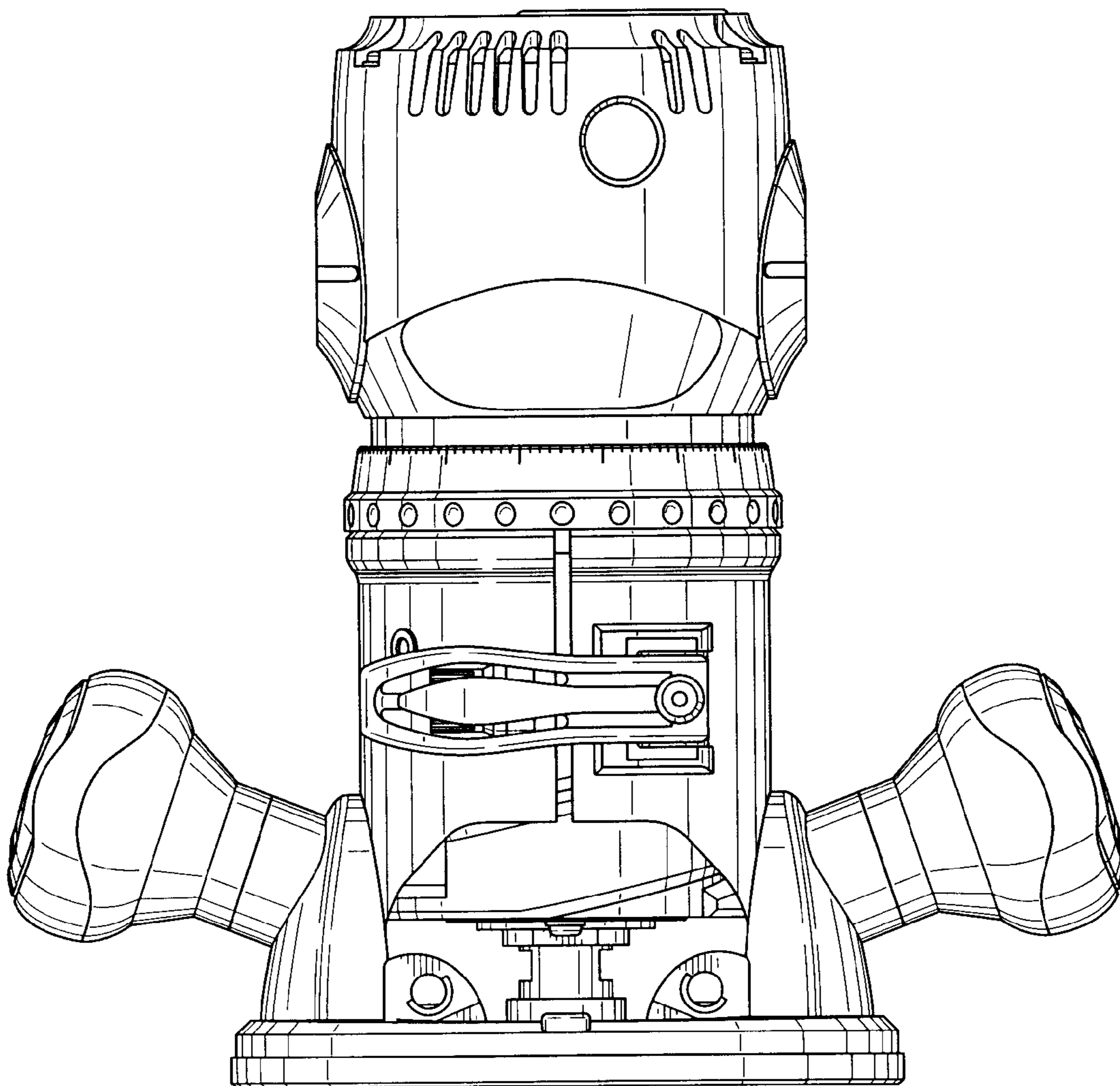
*FIG. 1*



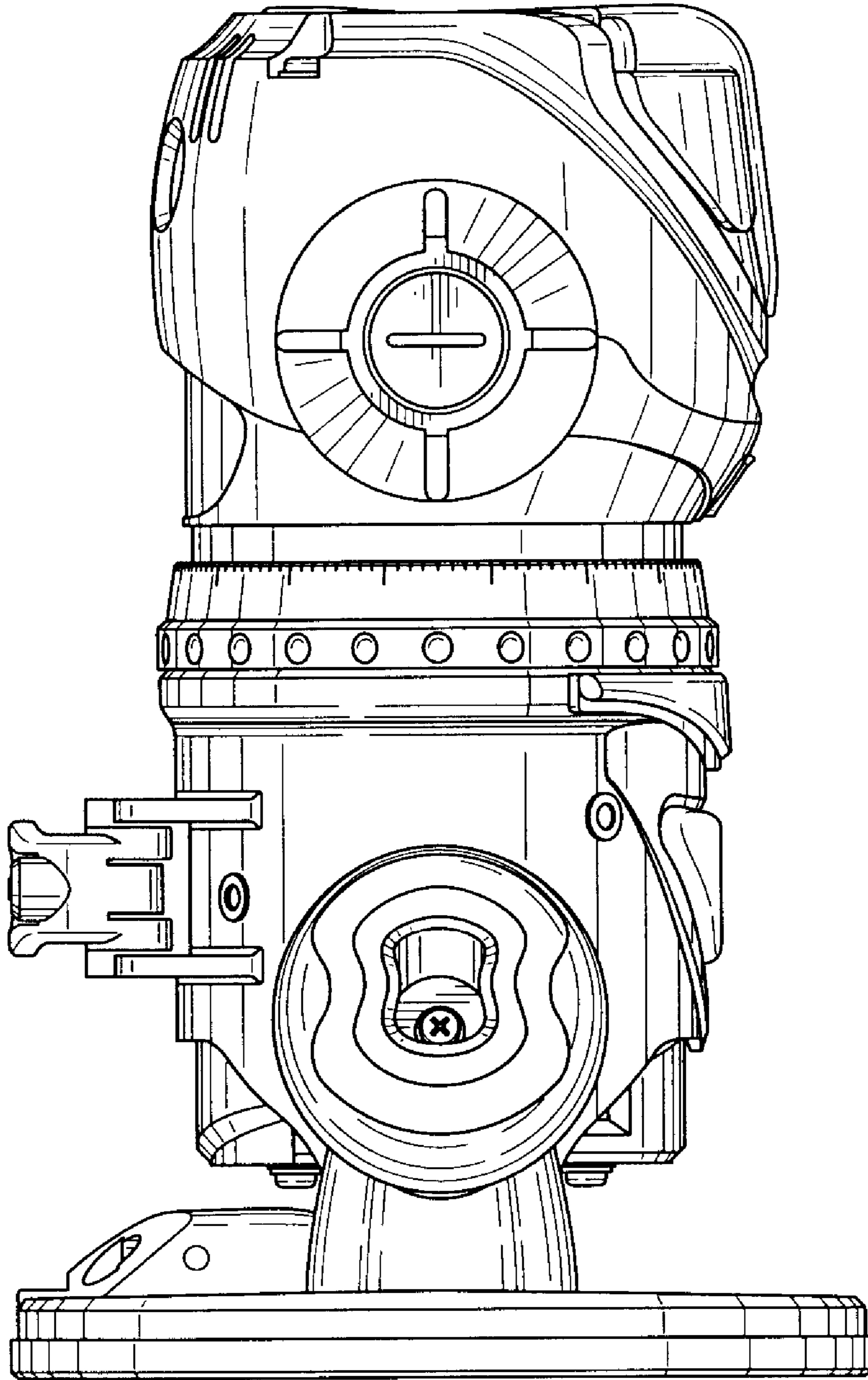
*FIG. 2*



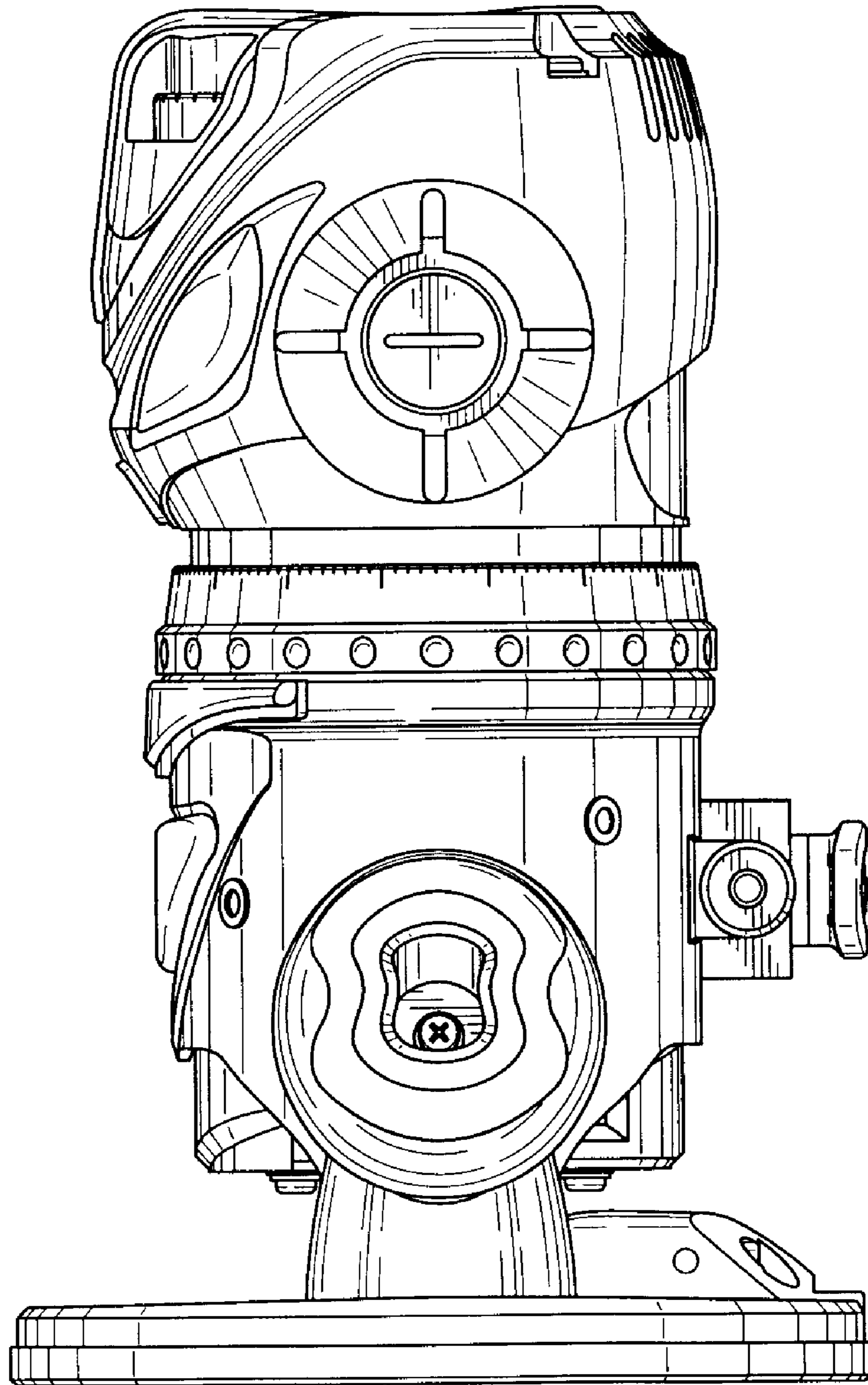
*FIG. 3*



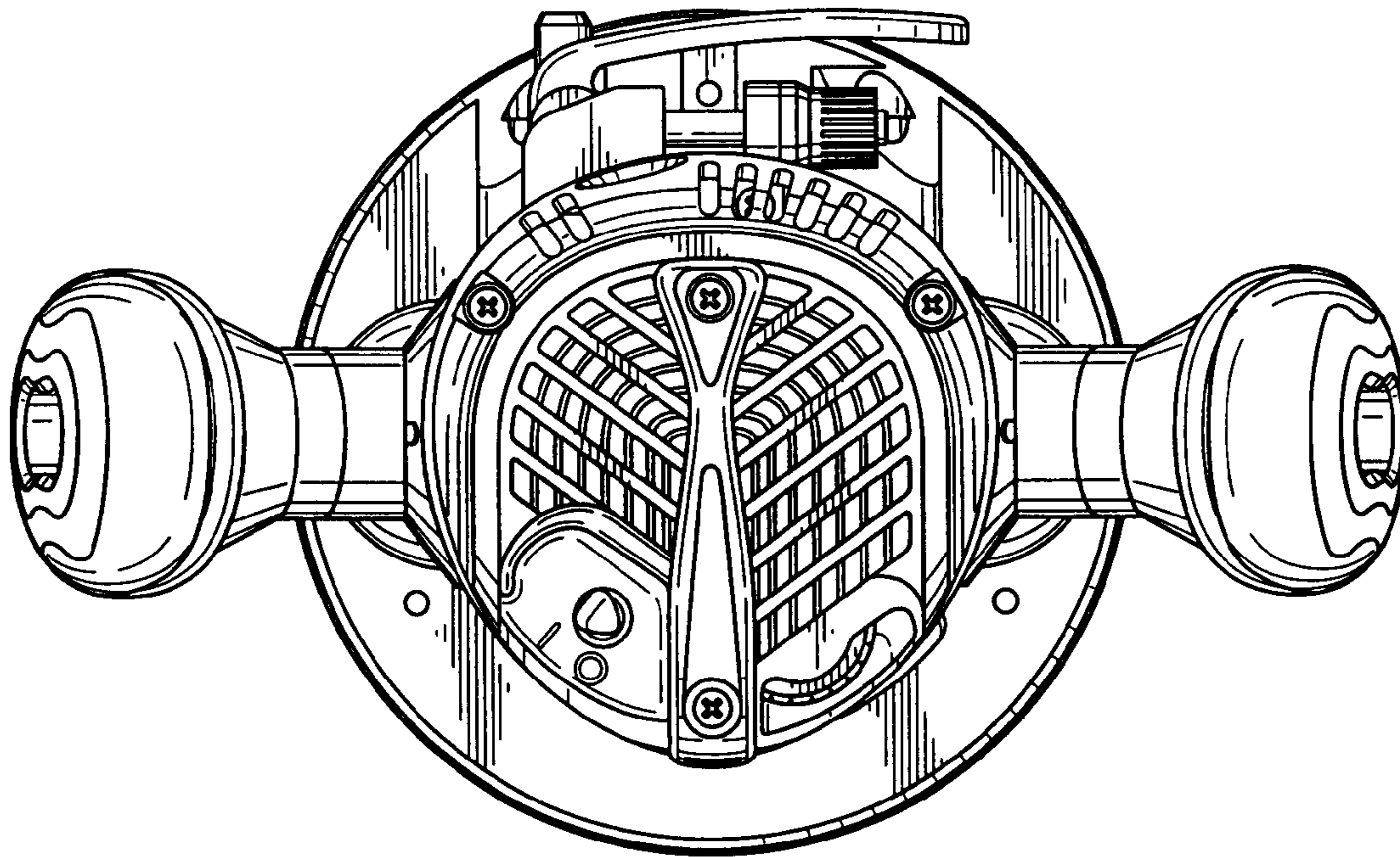
*FIG. 4*



*FIG. 5*



*FIG. 6*



*FIG 7*

