



US00D511078S

(12) **United States Design Patent** (10) **Patent No.:** **US D511,078 S**  
**Baumgaertner** (45) **Date of Patent:** **\*\* Nov. 1, 2005**

(54) **ROUTER**

(75) **Inventor:** **Klaus Baumgaertner, Sindelfingen (DE)**

(73) **Assignee:** **Robert Bosch GmbH, Stuttgart (DE)**

(\*\*) **Term:** **14 Years**

(21) **Appl. No.:** **29/209,332**

(22) **Filed:** **Jul. 14, 2004**

(30) **Foreign Application Priority Data**

Feb. 2, 2004 (DE) ..... 4 04 00 526

(51) **LOC (8) Cl.** ..... **08-01**

(52) **U.S. Cl.** ..... **D8/67**

(58) **Field of Search** ..... D8/61, 62, 67;  
144/134.1, 135.2, 136.1, 136.95, 154.5,  
252.1; 409/180, 181, 182; 451/344, 356,  
357

(56) **References Cited**

**U.S. PATENT DOCUMENTS**

5,207,253 A \* 5/1993 Hoshino et al. .... 144/136.95  
D340,174 S \* 10/1993 Hoshino et al. .... D8/67  
D349,637 S \* 8/1994 Hoshino et al. .... D8/67  
D416,460 S \* 11/1999 Bosten et al. .... D8/67

5,998,897 A \* 12/1999 Bosten et al. .... 310/89  
6,182,723 B1 \* 2/2001 Bosten et al. .... 144/154.5  
6,237,657 B1 \* 5/2001 Qian ..... 144/252.1  
6,244,797 B1 \* 6/2001 Wheeler ..... 409/182  
D444,364 S \* 7/2001 Evans ..... D8/67  
6,419,429 B1 \* 7/2002 Long et al. .... 409/182  
6,474,378 B1 \* 11/2002 Ryan et al. .... 144/154.5  
2003/0007843 A1 \* 1/2003 Cotton et al. .... 409/182  
2005/0006000 A1 \* 1/2005 Freese et al. .... 144/136.95

\* cited by examiner

*Primary Examiner*—Jeffrey Asch

*Assistant Examiner*—Elizabeth Albert

(74) *Attorney, Agent, or Firm*—Michael J. Striker

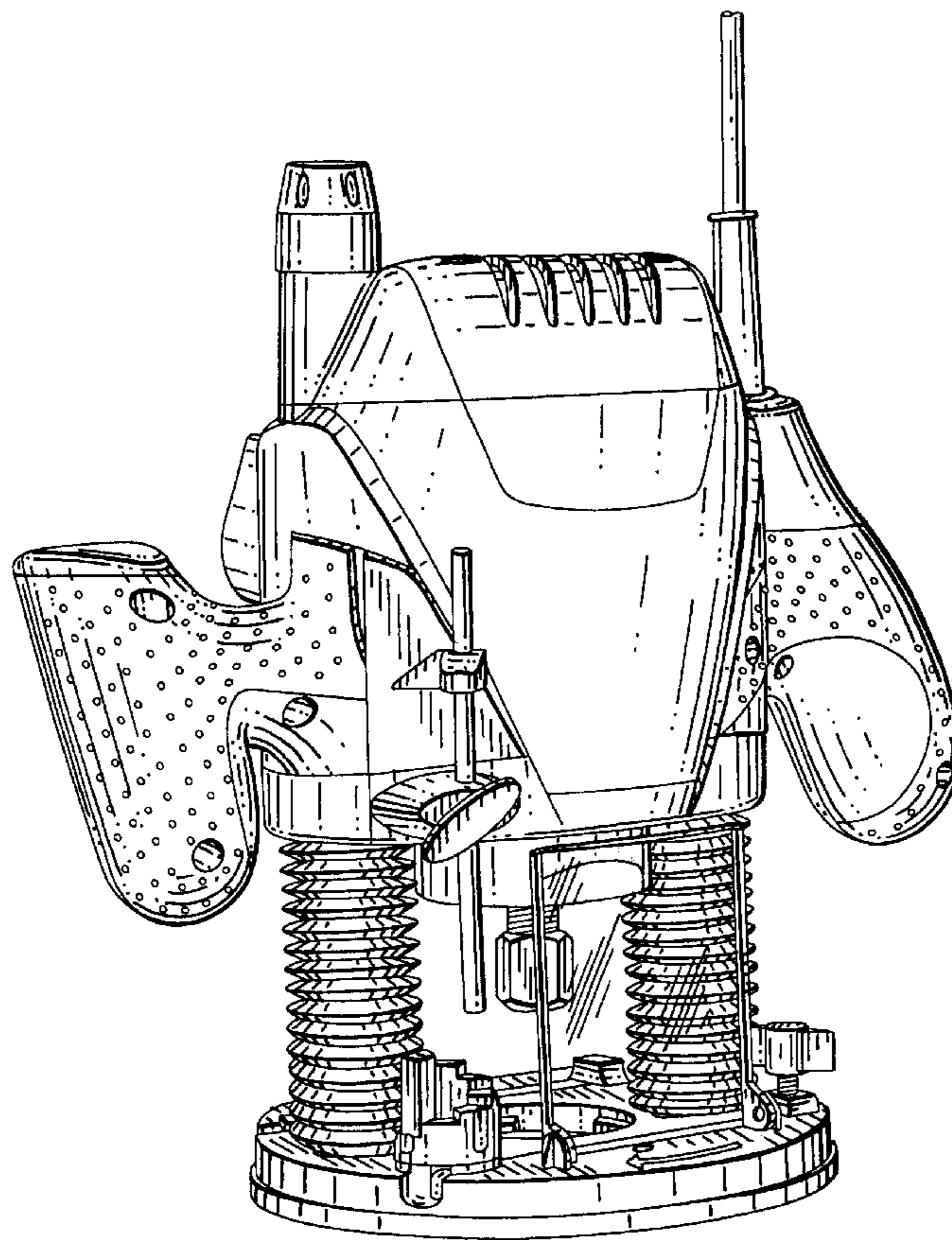
(57) **CLAIM**

The ornamental design for a router, as shown and described.

**DESCRIPTION**

FIG. 1 is a perspective view of a router showing my new design;  
FIG. 2 is a side view thereof;  
FIG. 3 is the opposite side view of FIG. 2 thereof;  
FIG. 4 is a front view thereof;  
FIG. 5 is a rear view thereof;  
FIG. 6 is a top view thereof; and,  
FIG. 7 is a bottom view thereof.

**1 Claim, 7 Drawing Sheets**



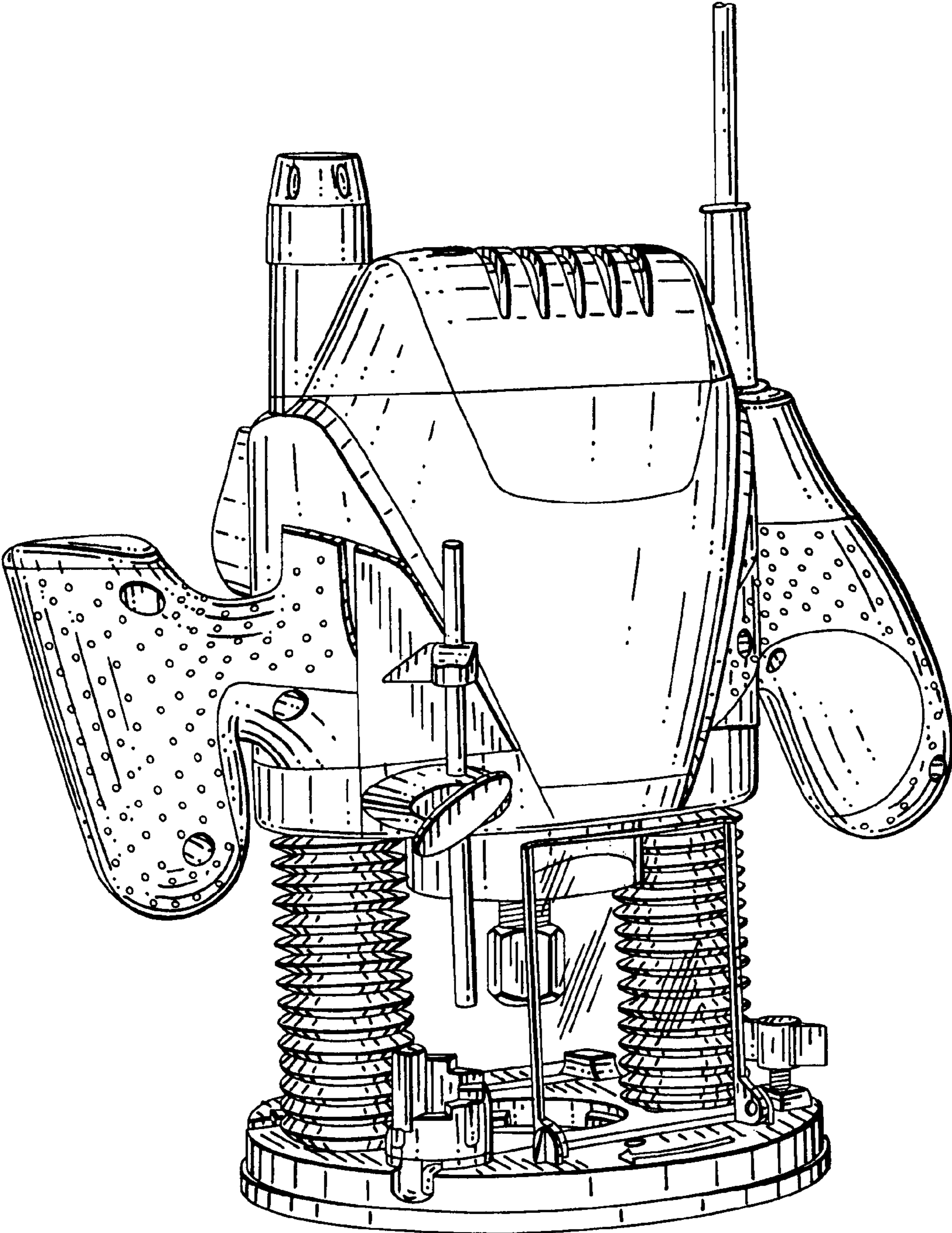


FIG. 1

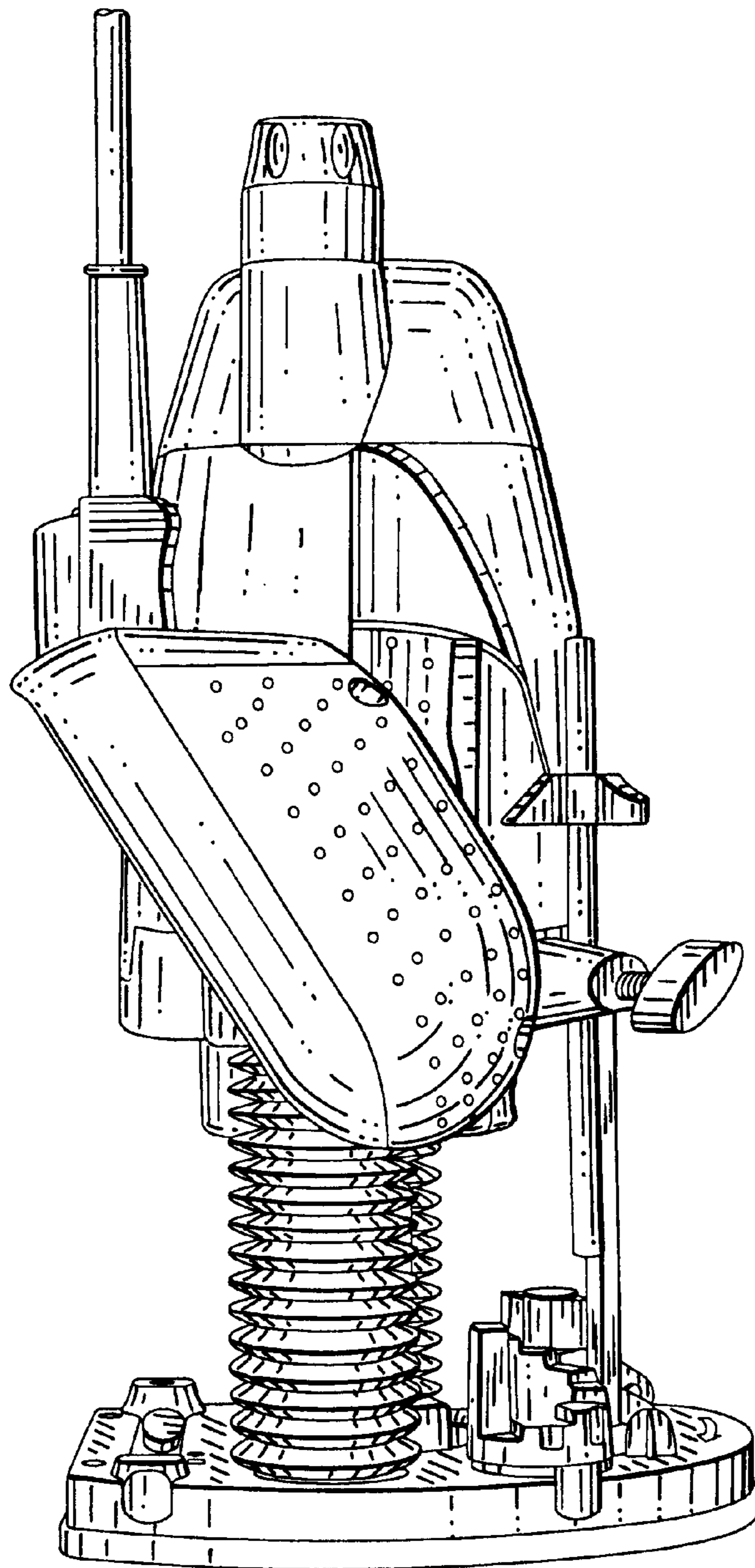


FIG. 2

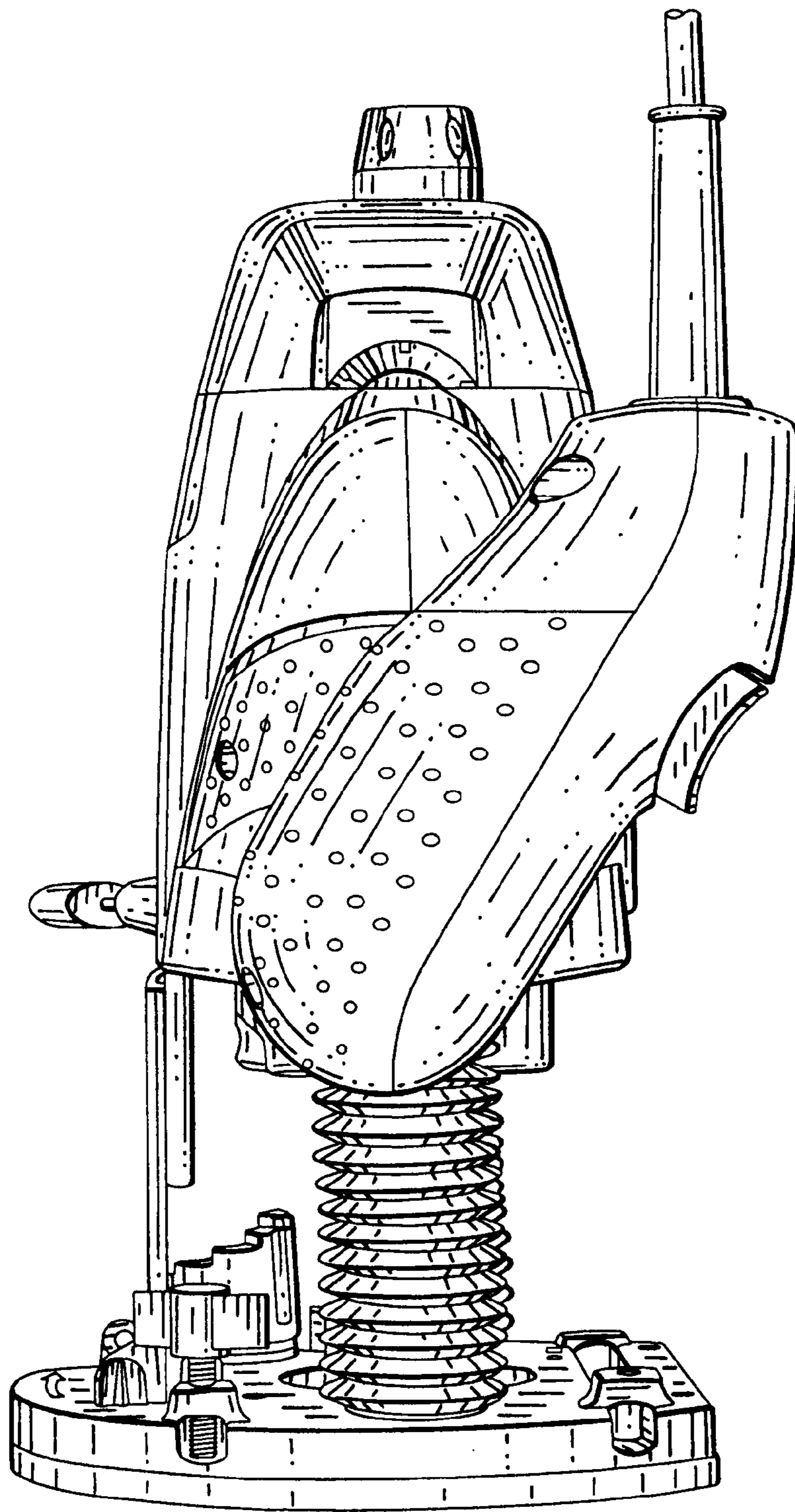


FIG. 3

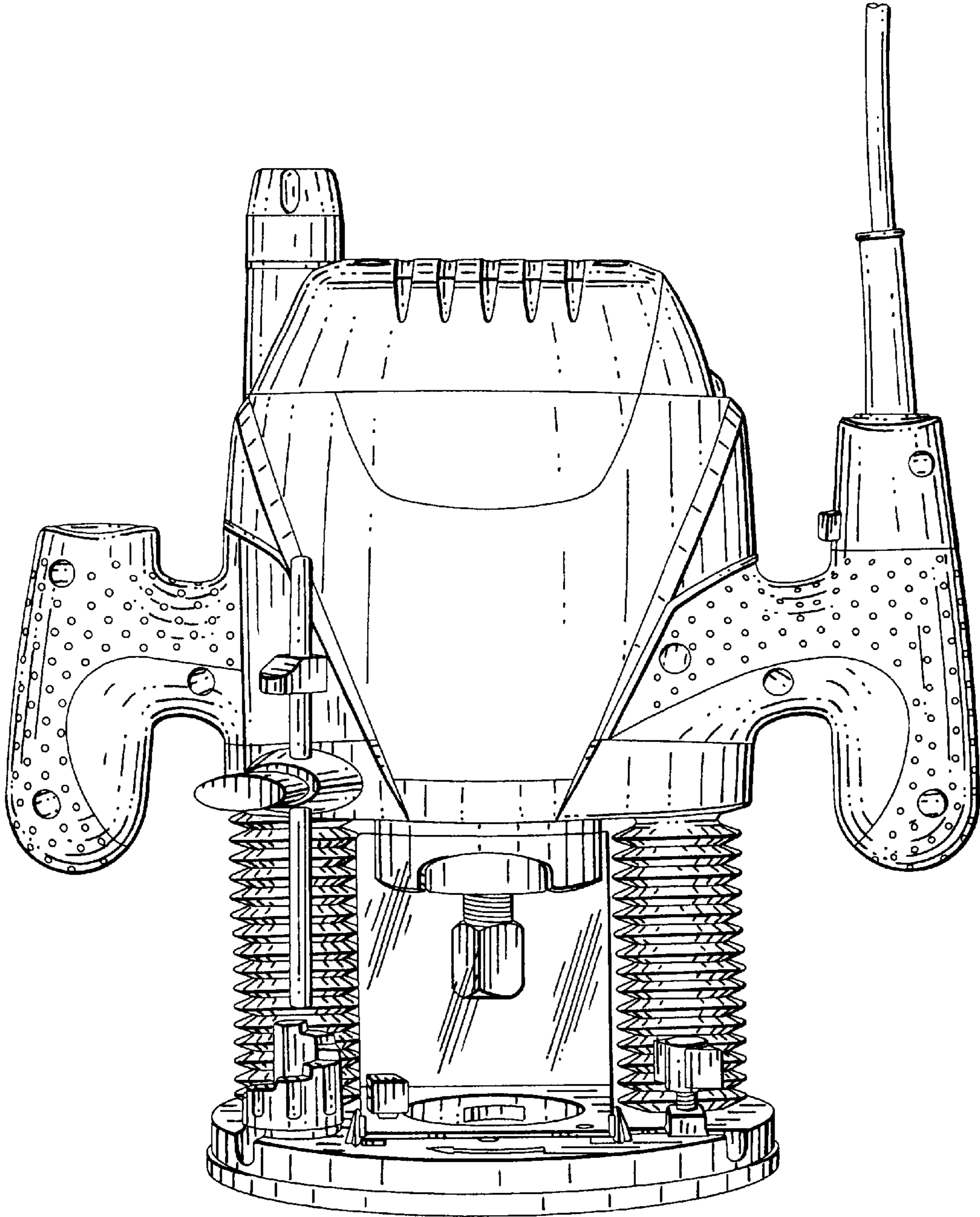


FIG. 4

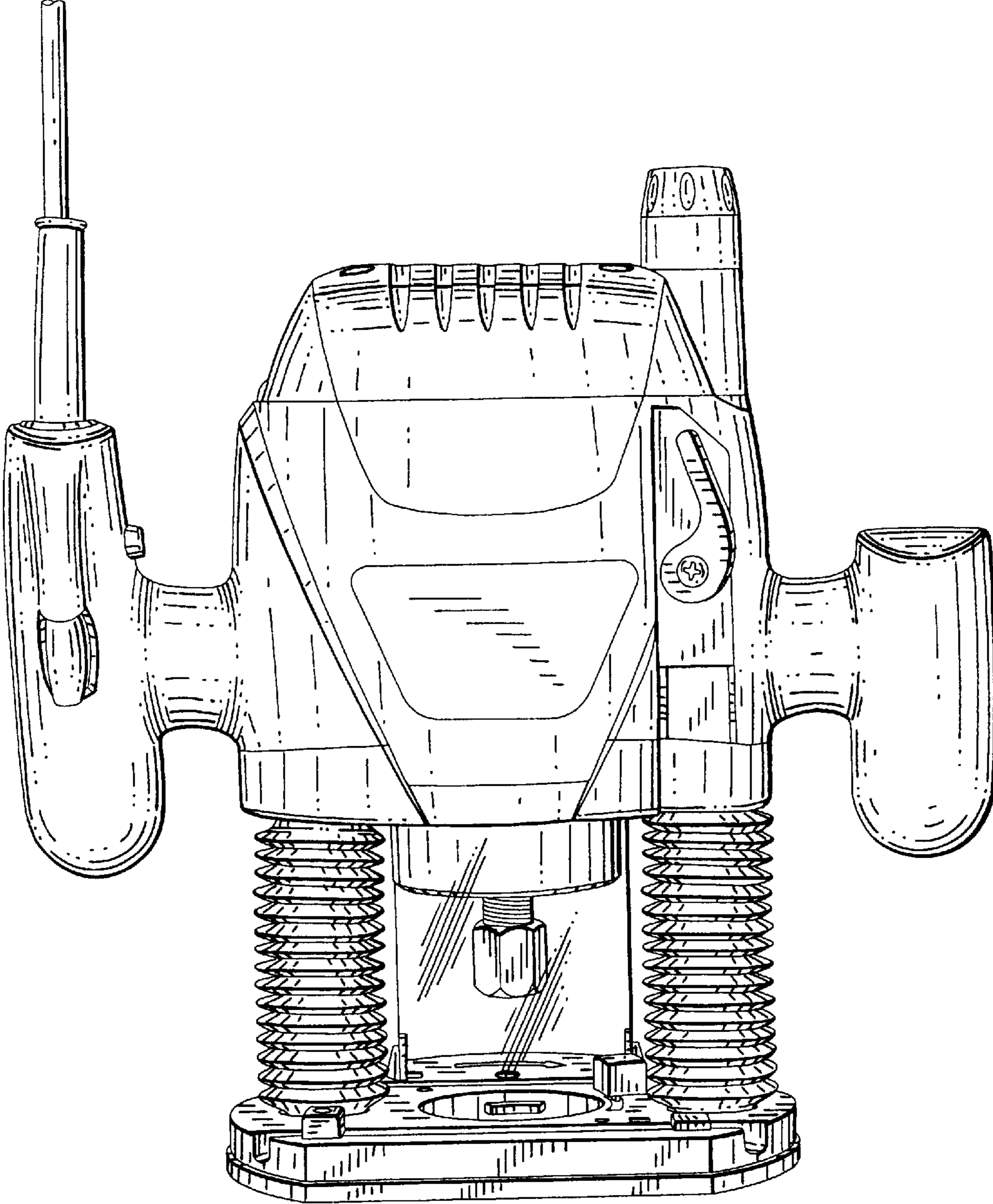


FIG. 5

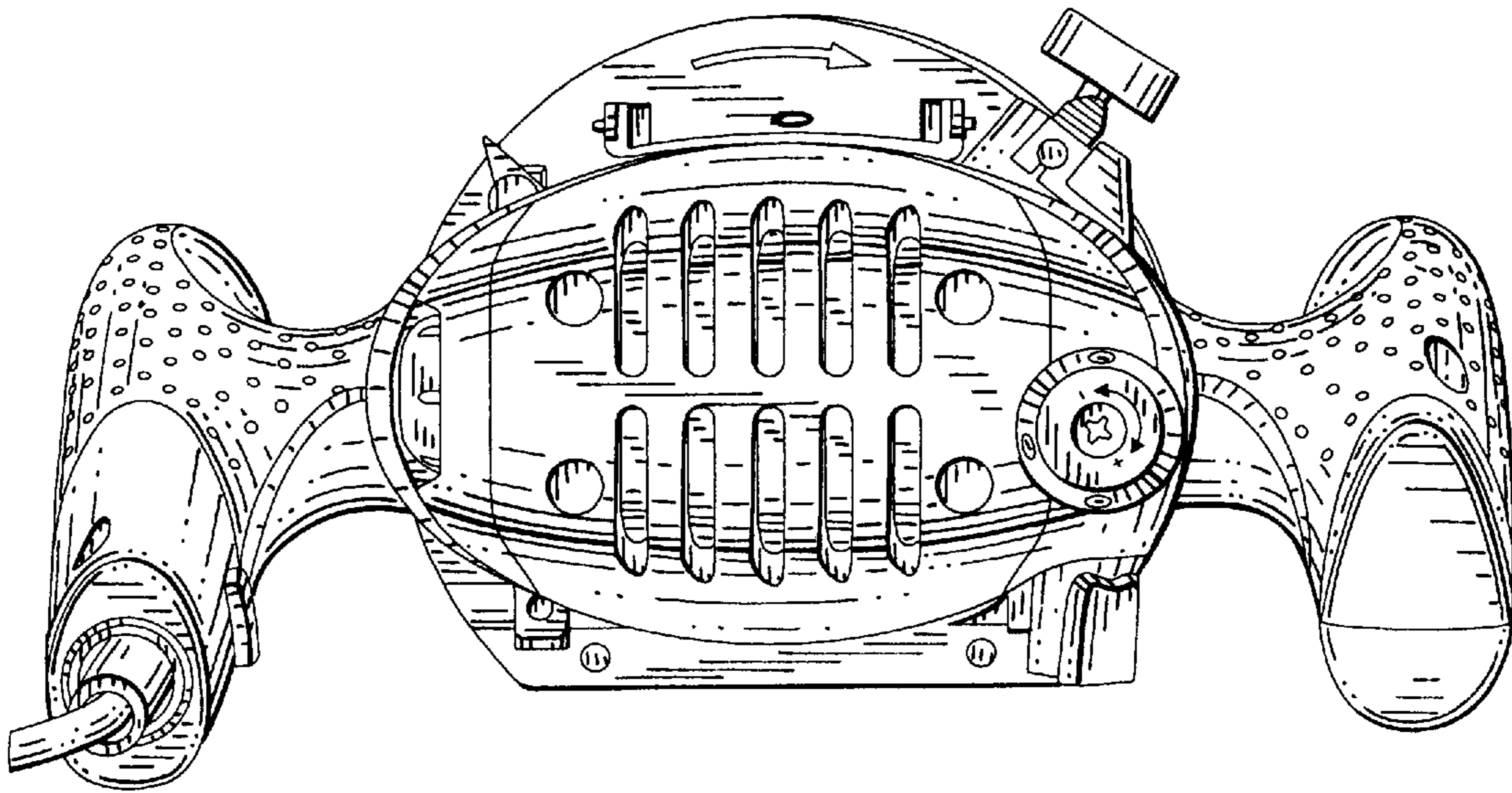


FIG. 6

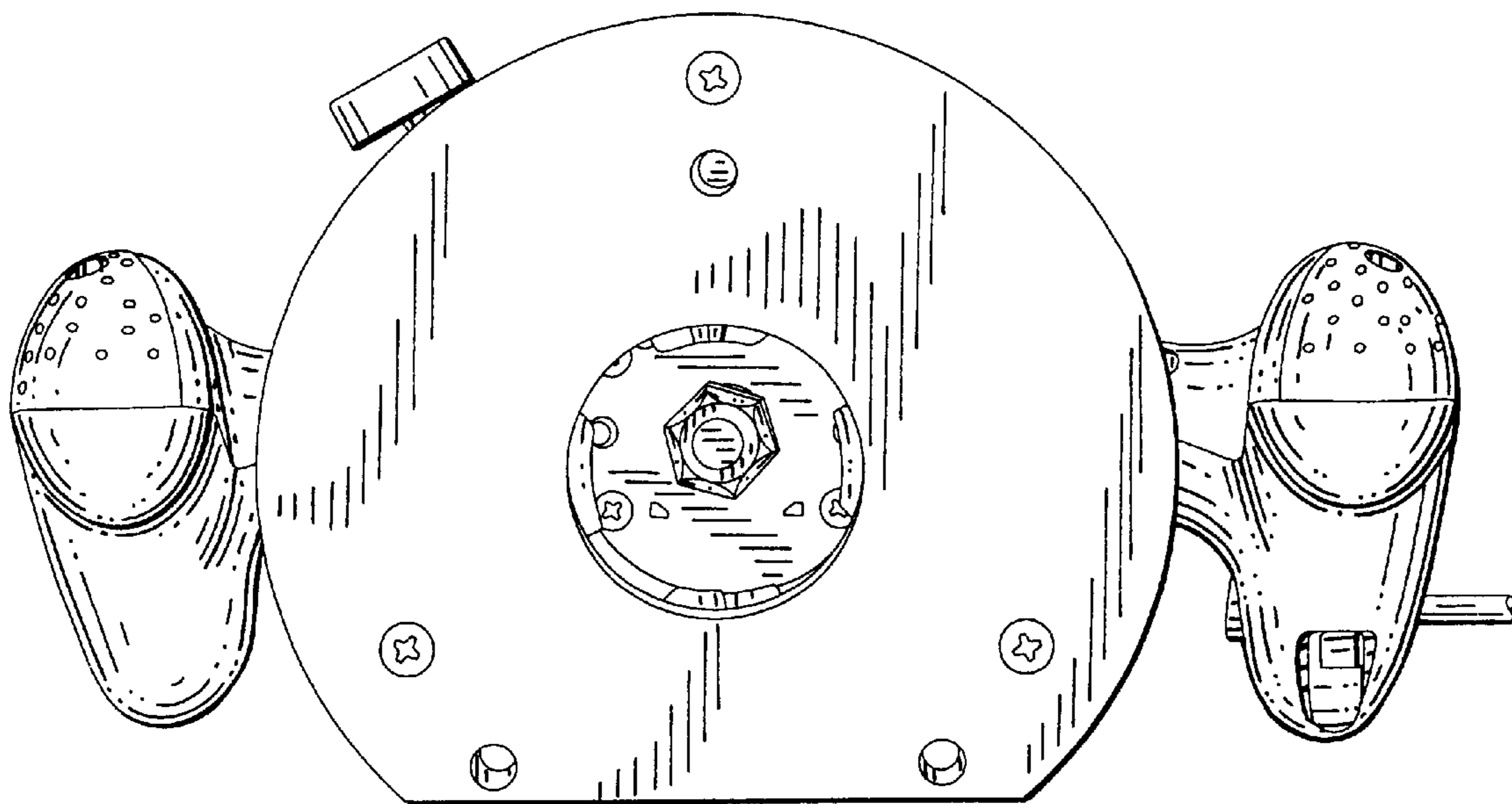


FIG. 7