



US00D511076S

(12) **United States Design Patent**  
**Higdon**

(10) **Patent No.:** **US D511,076 S**  
(45) **Date of Patent:** **\*\* Nov. 1, 2005**

(54) **ENGINE CYLINDER VALVE SPRING COMPRESSOR TOOL**

*Primary Examiner—Holly Baynham*  
(74) *Attorney, Agent, or Firm—Joe D. Calhoun*

(76) Inventor: **Jolly R. Higdon**, Airborne Flying Service 525 Airport Rd., Hanger A1, Hot Springs, AR (US) 71913

(57) **CLAIM**

The ornamental design for an engine cylinder valve spring compressor tool, as shown and described.

(\*\*) Term: **14 Years**

**DESCRIPTION**

(21) Appl. No.: **29/209,266**

FIG. 1 depicts a perspective view from the side and front of the invention.

(22) Filed: **Jul. 14, 2004**

(51) **LOC (8) Cl.** ..... **08-05**

FIG. 2 depicts a front elevational view of the invention of FIG. 1.

(52) **U.S. Cl.** ..... **D8/14**

FIG. 3 depicts a back elevational view of the invention of FIG. 1.

(58) **Field of Search** ..... D8/14, 354; 29/217-221

FIG. 4 depicts a side elevational view of the invention of FIG. 1.

(56) **References Cited**

**U.S. PATENT DOCUMENTS**

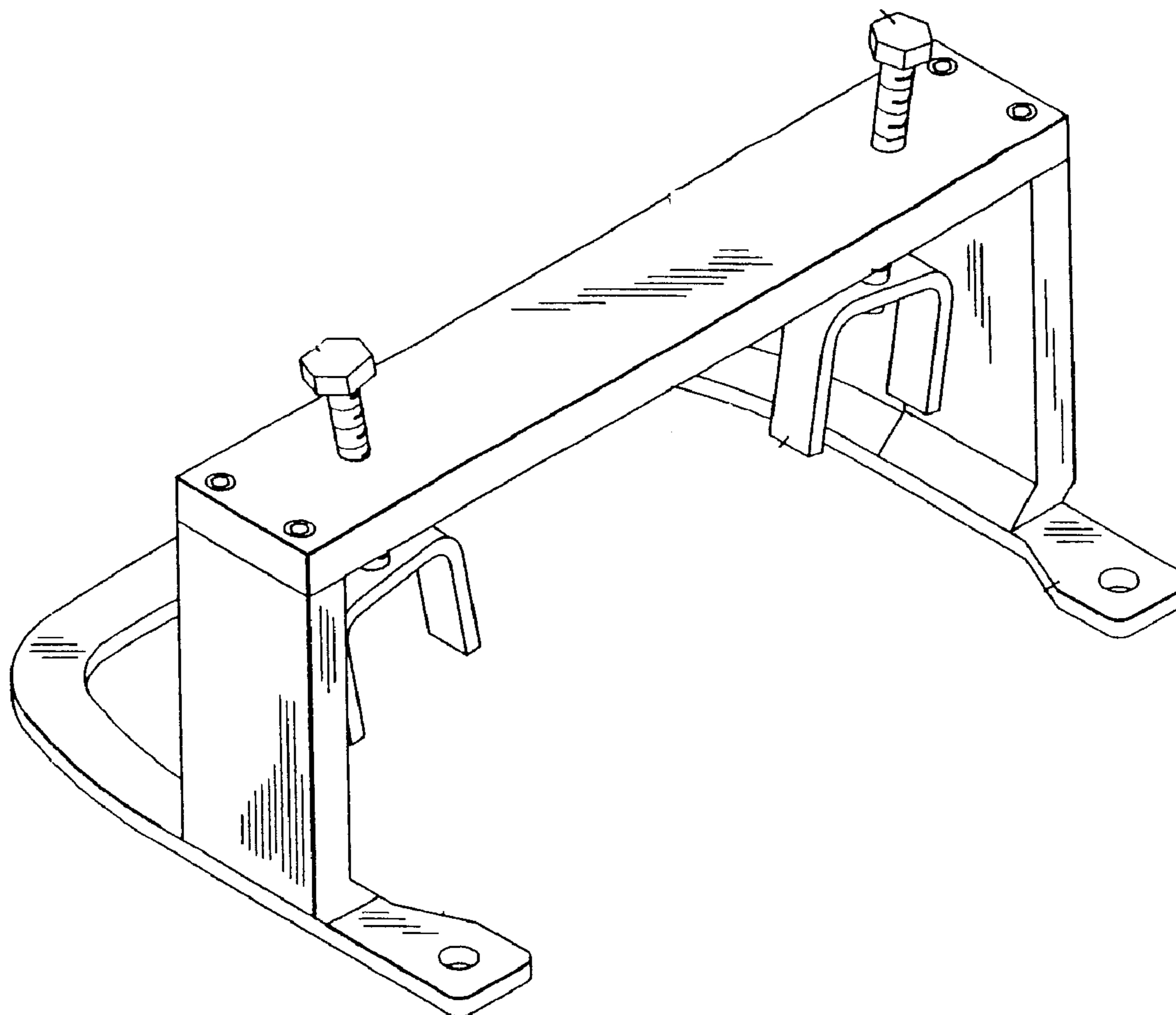
FIG. 5 depicts a top plan view of the invention of FIG. 1; and,

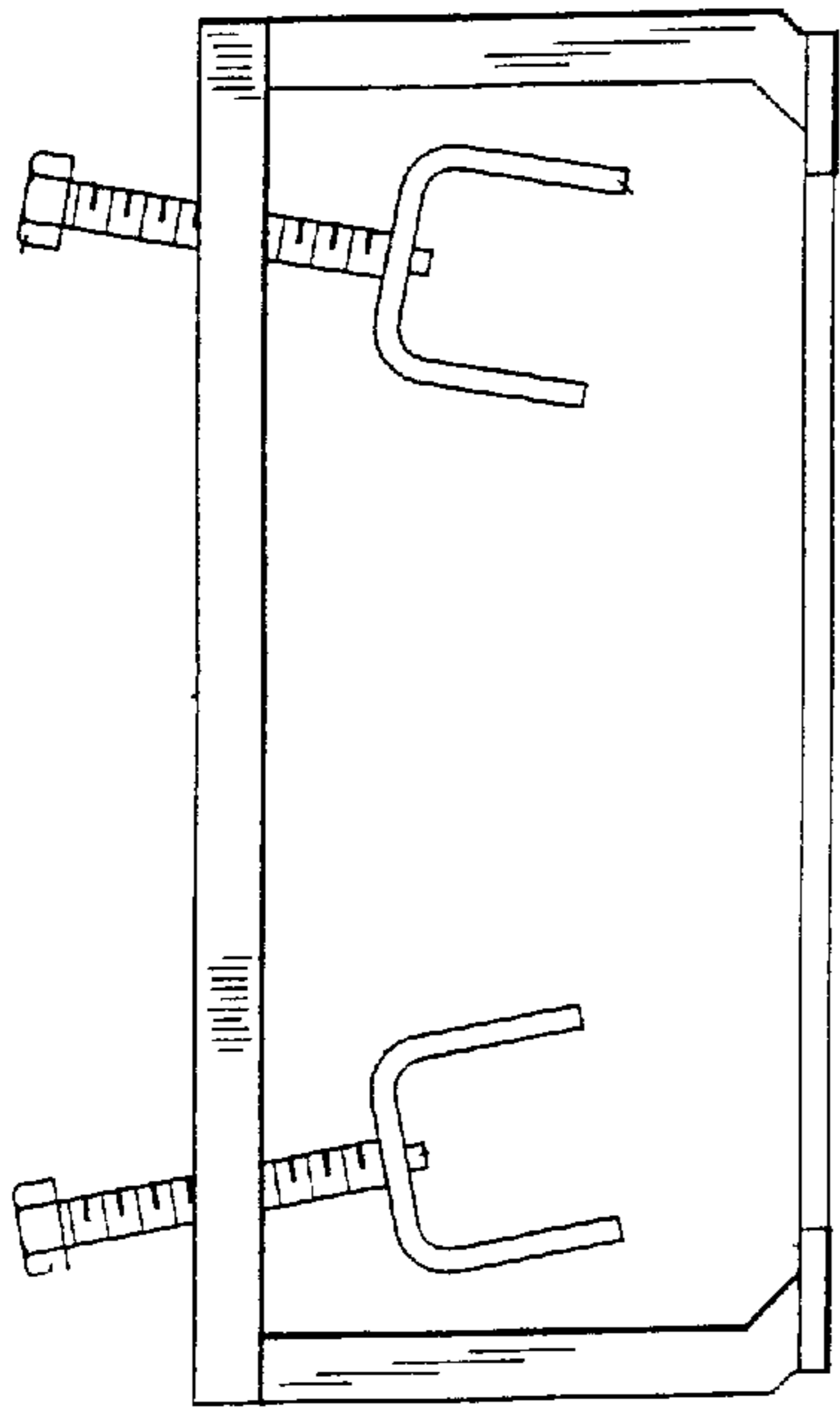
D267,699 S *	1/1983	Prawl	.....	D8/380
4,641,814 A *	2/1987	Lala et al.	.....	254/10.5
D297,410 S *	8/1988	Sachs	.....	D8/356
5,042,128 A *	8/1991	Barbour	.....	29/217
D337,509 S *	7/1993	Lebow	.....	D8/354
D349,232 S *	8/1994	Lebow	.....	D8/354

FIG. 6 depicts a bottom plan view of the invention of FIG. 1.

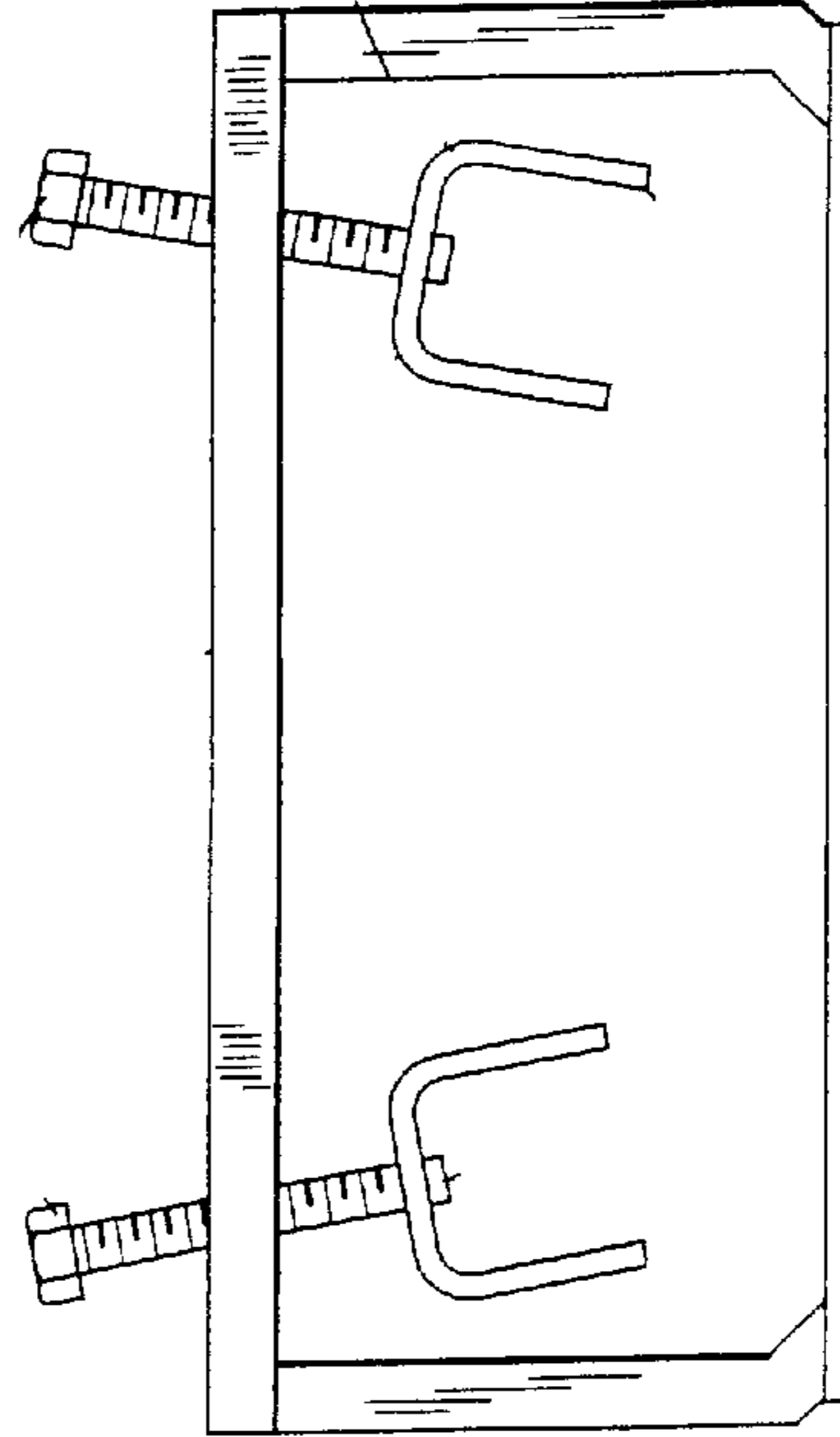
\* cited by examiner

**1 Claim, 2 Drawing Sheets**

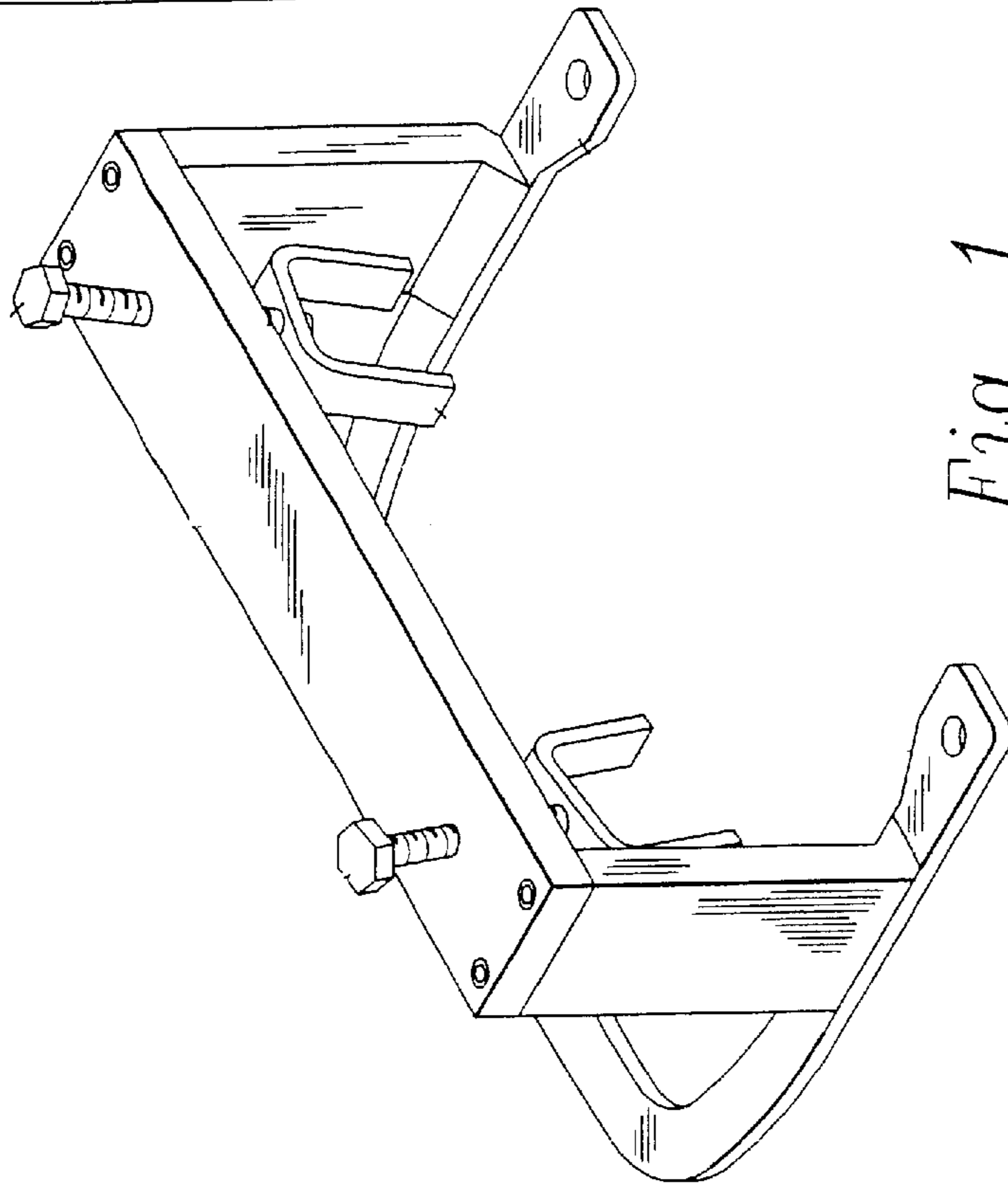




*Fig. 2*



*Fig. 3*



*Fig. 1*

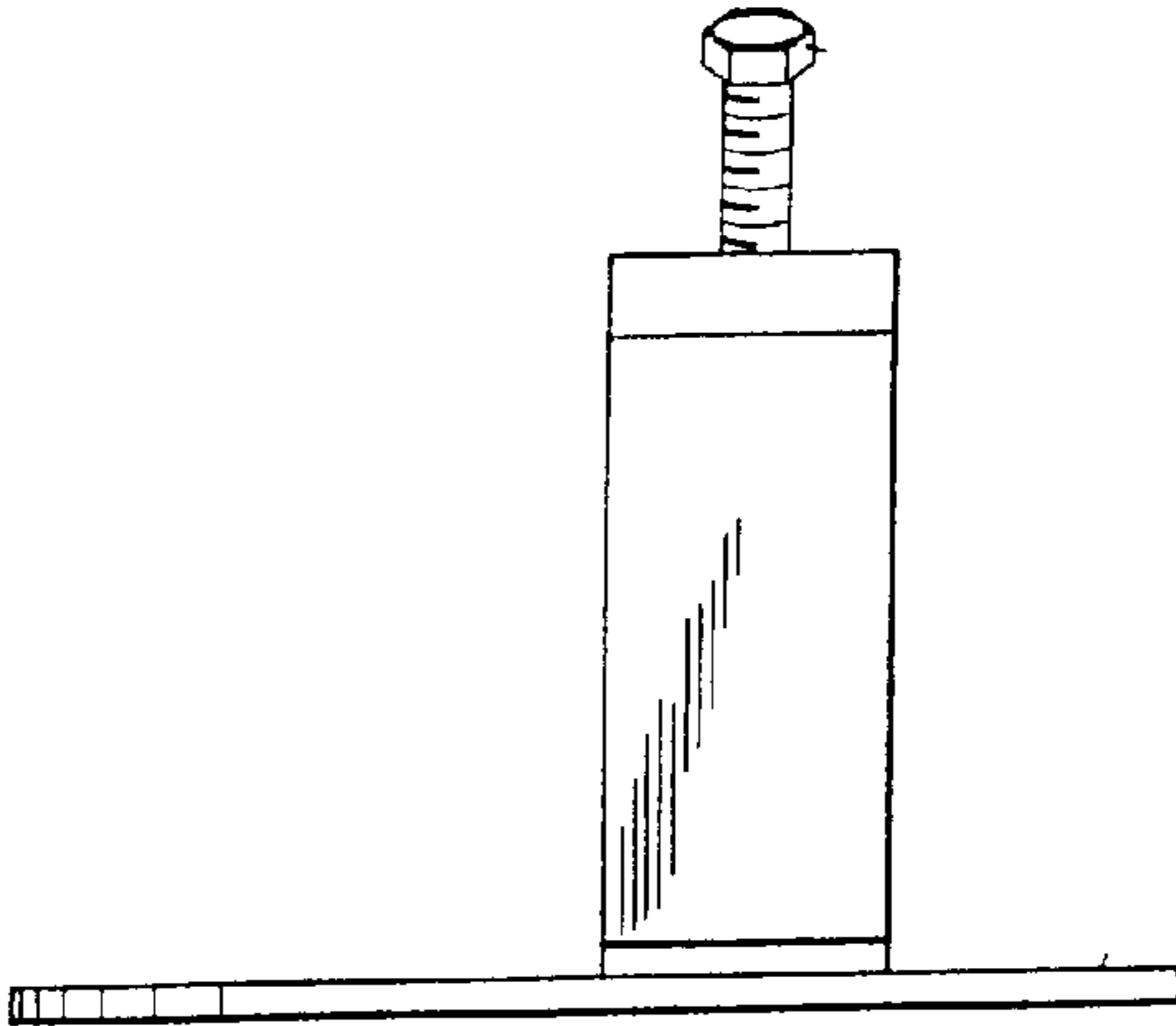


Fig. 4

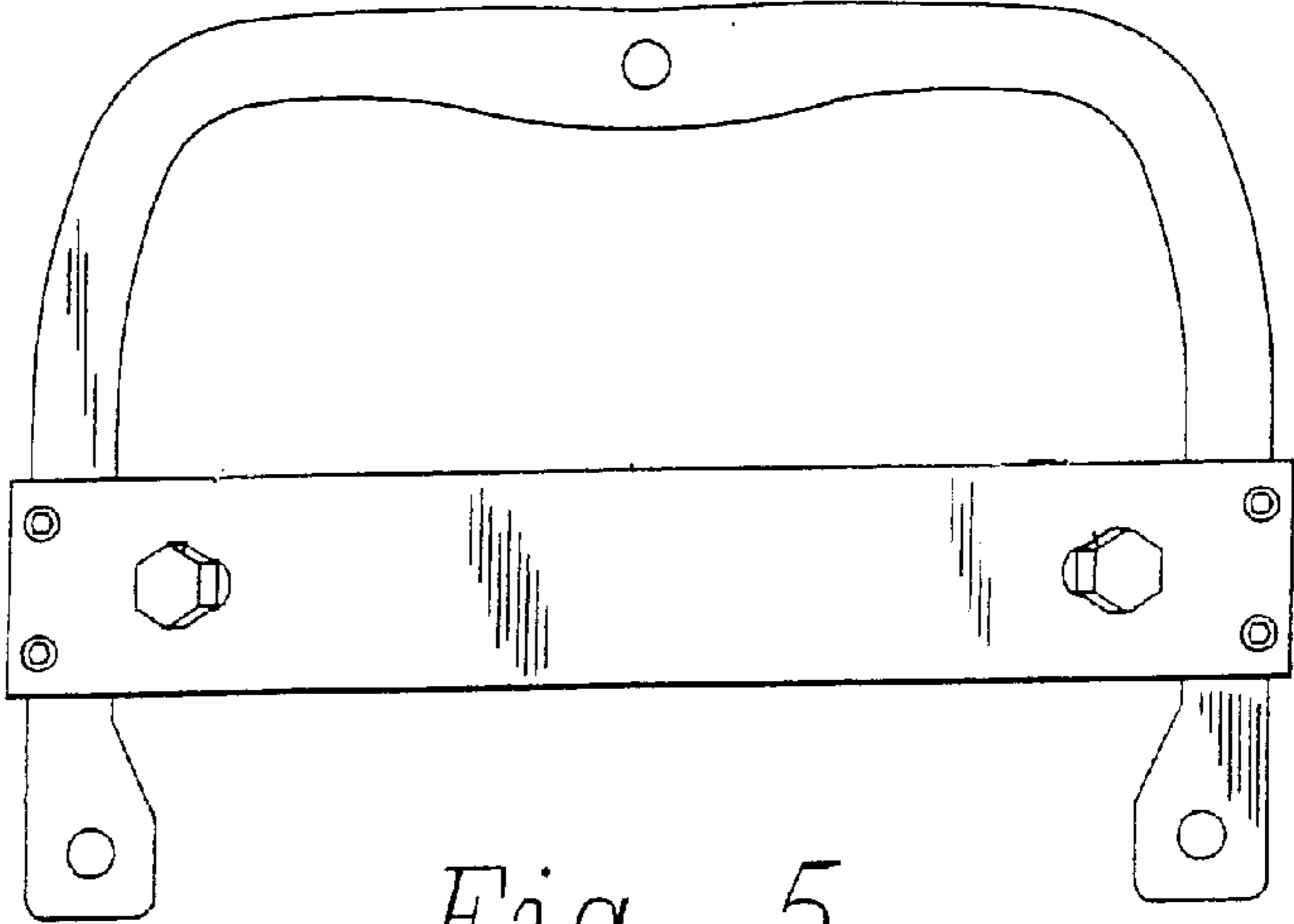


Fig. 5

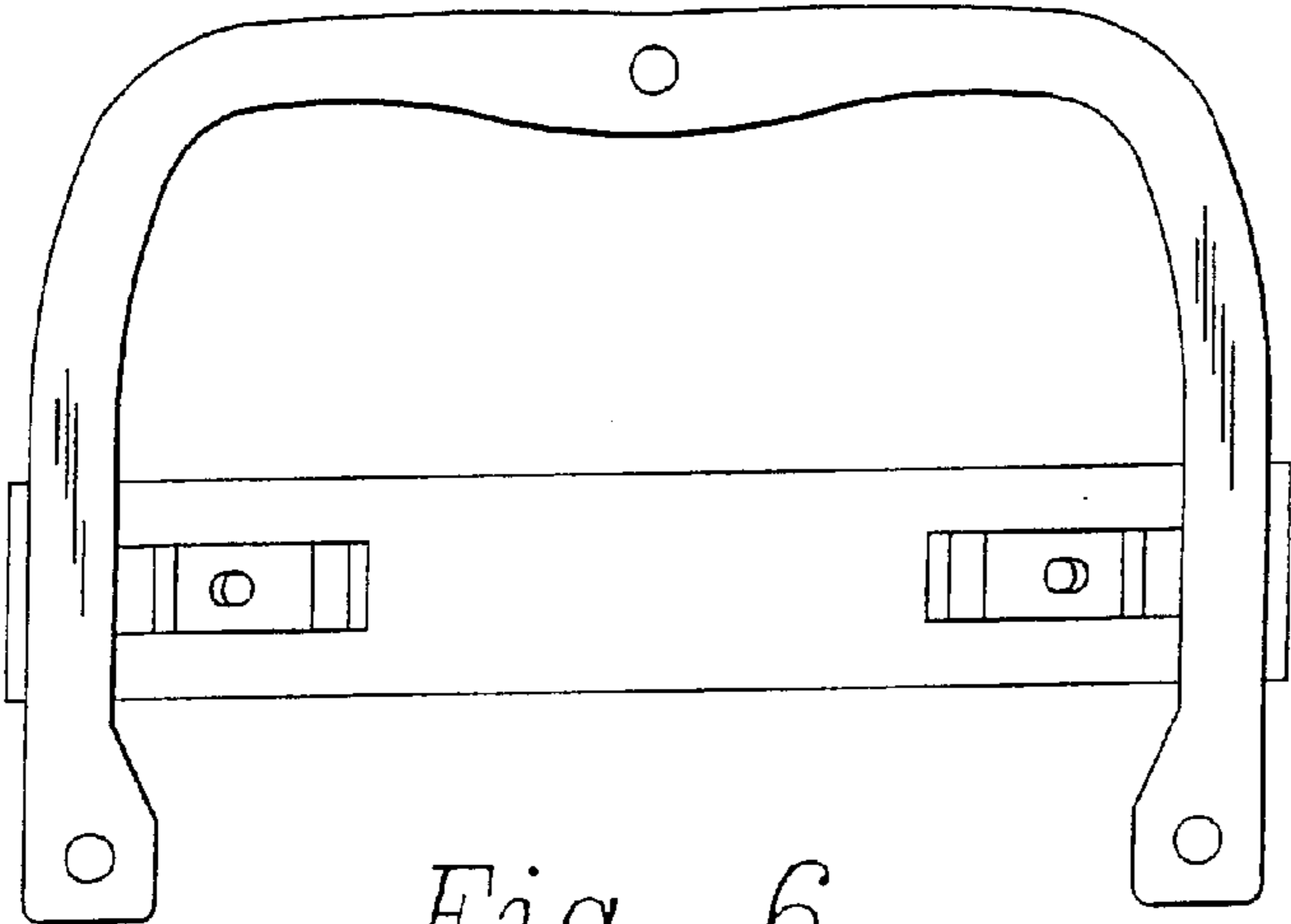


Fig. 6