



US00D511071S

(12) **United States Design Patent**
Xu et al.

(10) **Patent No.:** **US D511,071 S**
(45) **Date of Patent:** **** Nov. 1, 2005**

(54) **EGG BEATER**

(76) Inventors: **Shun-Xing Xu**, 70, Zhong Shan Rd., Dong Gang Zhen, Ping Dong Hsien (TW); **Yu-Chang Xu**, 70, Zhong Shan Rd., Dong Gang Zhen, Ping Dong Hsien (TW); **Yu-Ting Xu**, 70, Zhong Shan Rd., Dong Gang Zhen, Ping Dong Hsien (TW)

(**) Term: **14 Years**

(21) Appl. No.: **29/201,931**

(22) Filed: **Mar. 22, 2004**

(51) **LOC (8) Cl.** **31-00**

(52) **U.S. Cl.** **D7/412**

(58) **Field of Search** D7/376-386, 412, D7/413; 99/509-511; 241/30, 33, 37.5, 101.01-101.2, 166-169.1, 274-278.2, 282.1, 282.2, 285.1-285.3, 291, 292.1, 301; 366/64-67, 98, 100, 129, 130, 197-201, 205-207, 219-221, 241-254, 279-292, 325.94, 330.4, 341-343; 416/134 R, 174, 184, 204 R, 214 R, 227 R, 231 A

(56) **References Cited**

U.S. PATENT DOCUMENTS

837,750 A * 12/1906 Sturma 416/214 R

944,781 A * 12/1909 Gienandt 366/130
1,287,741 A * 12/1918 Pinkney 416/214 R
1,468,560 A * 9/1923 Diehl 366/343
1,579,323 A * 4/1926 Johnston 416/204 R
1,786,603 A * 12/1930 Dawson 416/227 R
D140,530 S * 3/1945 Latshaw D7/412
D141,900 S * 9/1945 Latshaw D7/412

* cited by examiner

Primary Examiner—Caron D. Veynar

(74) *Attorney, Agent, or Firm*—Alan D. Kamrath; Nikolai & Mersereau, P.A.

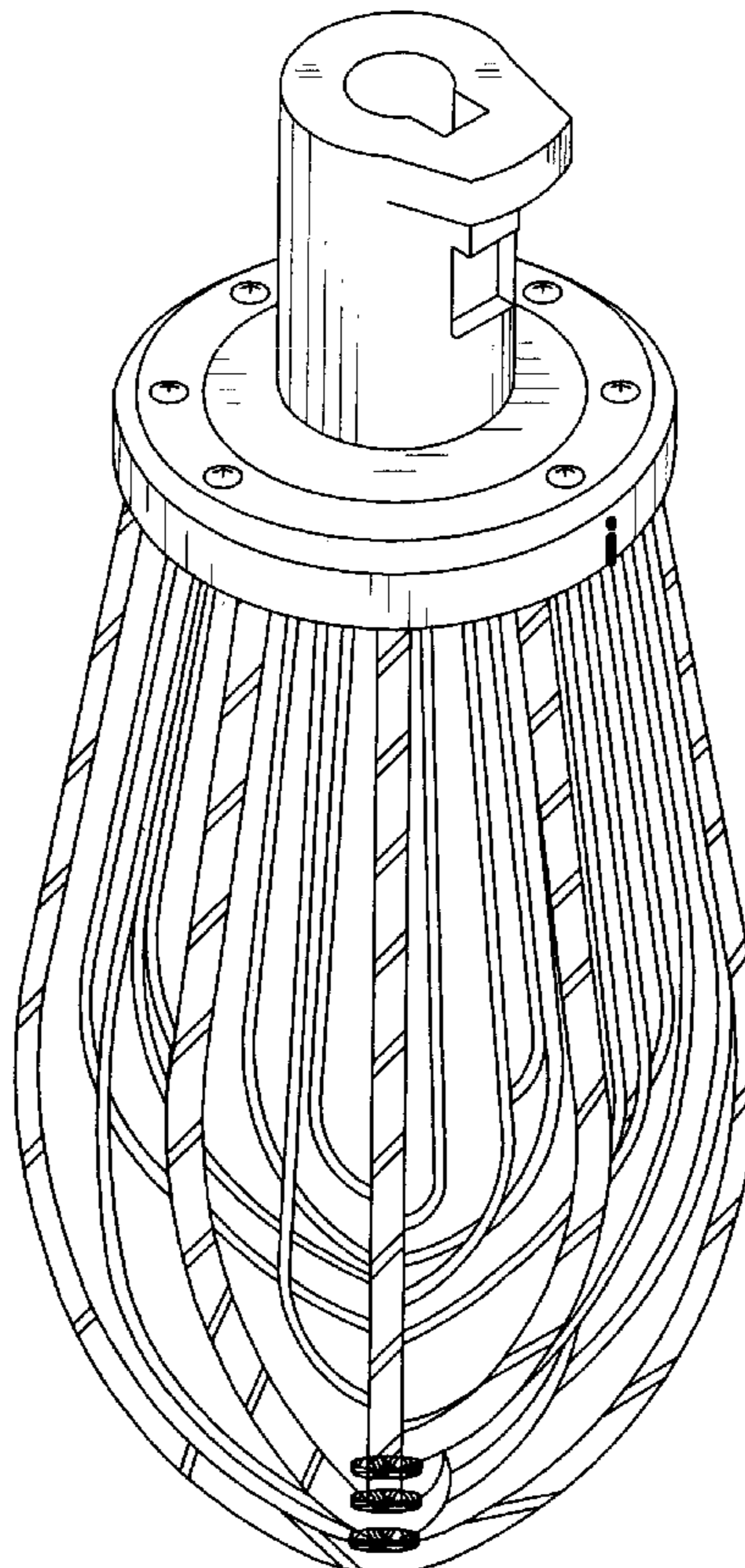
(57) **CLAIM**

The ornamental design for an egg beater, as shown and described.

DESCRIPTION

FIG. 1 is a perspective view of an egg beater showing our new design;
FIG. 2 is a front elevational view thereof;
FIG. 3 is a rear elevational view thereof;
FIG. 4 is a left side elevational view thereof;
FIG. 5 is a right side elevational view thereof;
FIG. 6 is a top plan view thereof; and,
FIG. 7 is a bottom plan view thereof.

1 Claim, 6 Drawing Sheets



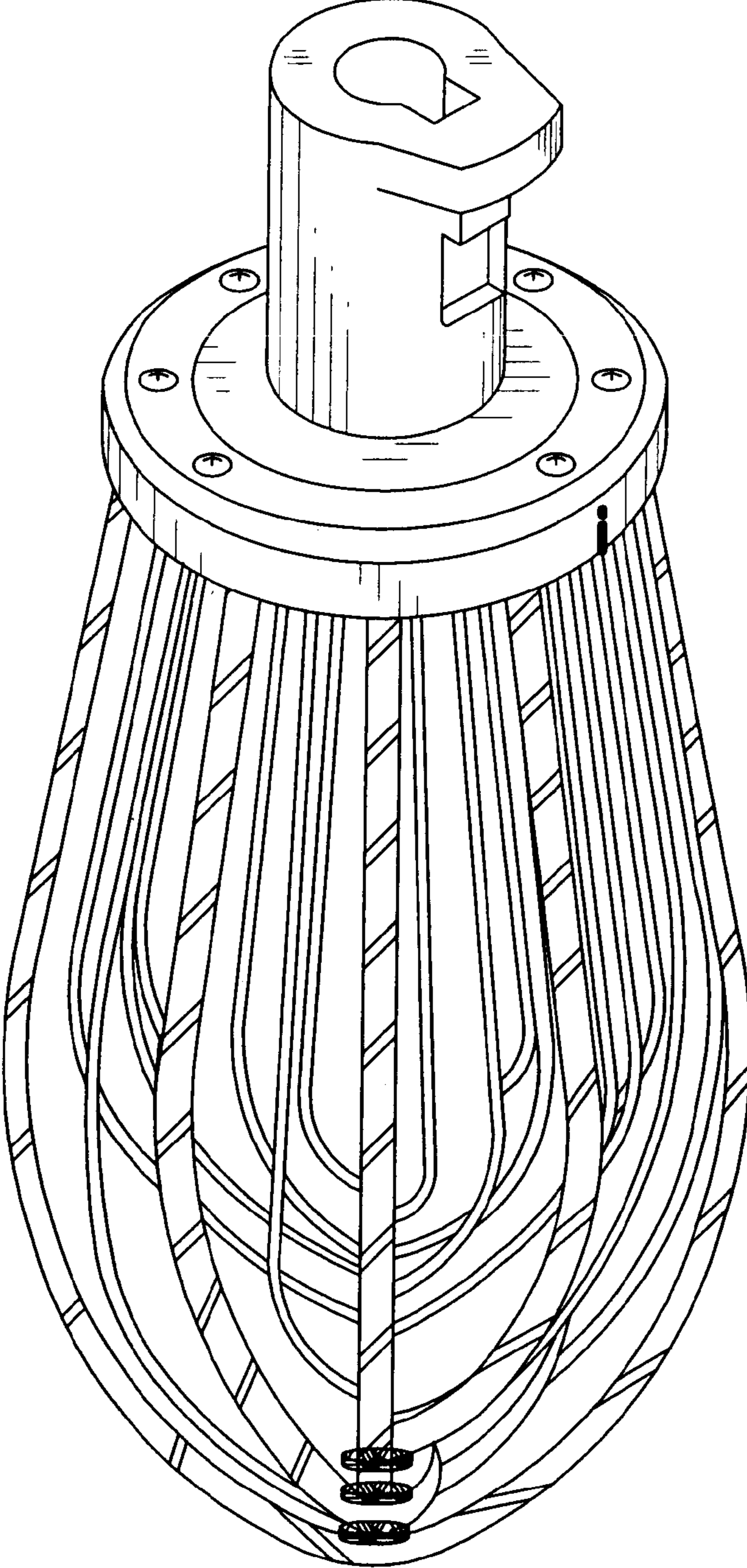


FIG.1

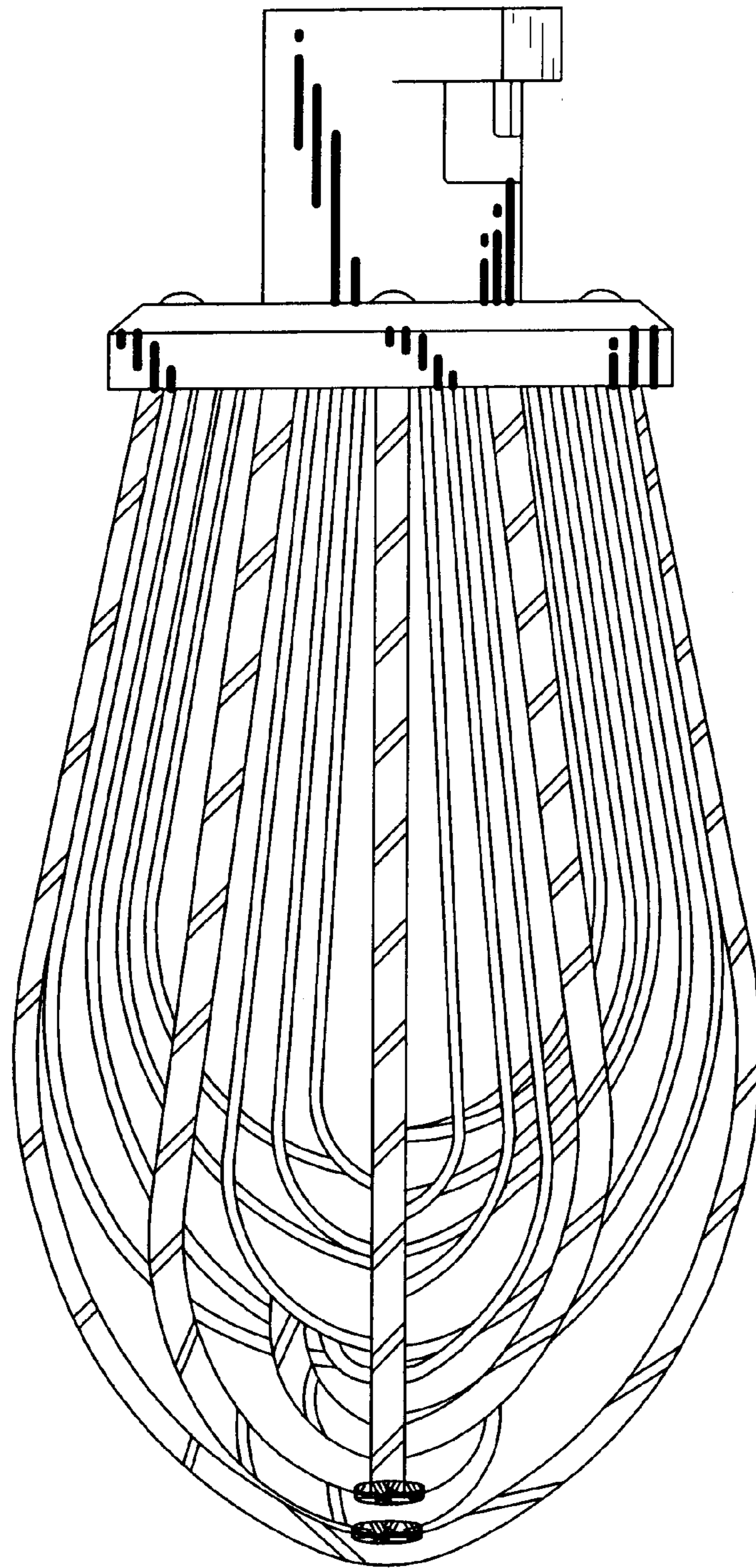


FIG. 2

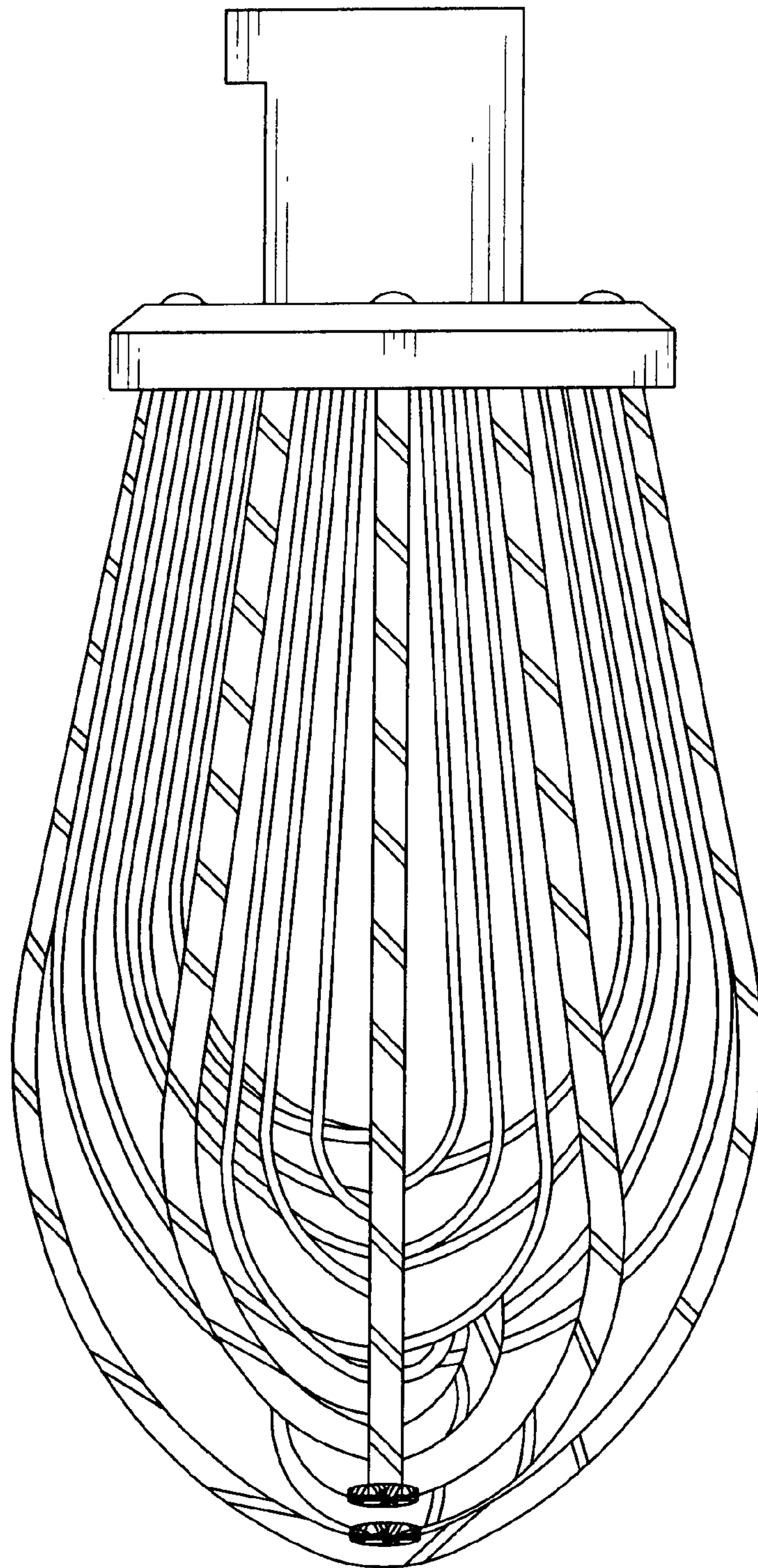


FIG. 3

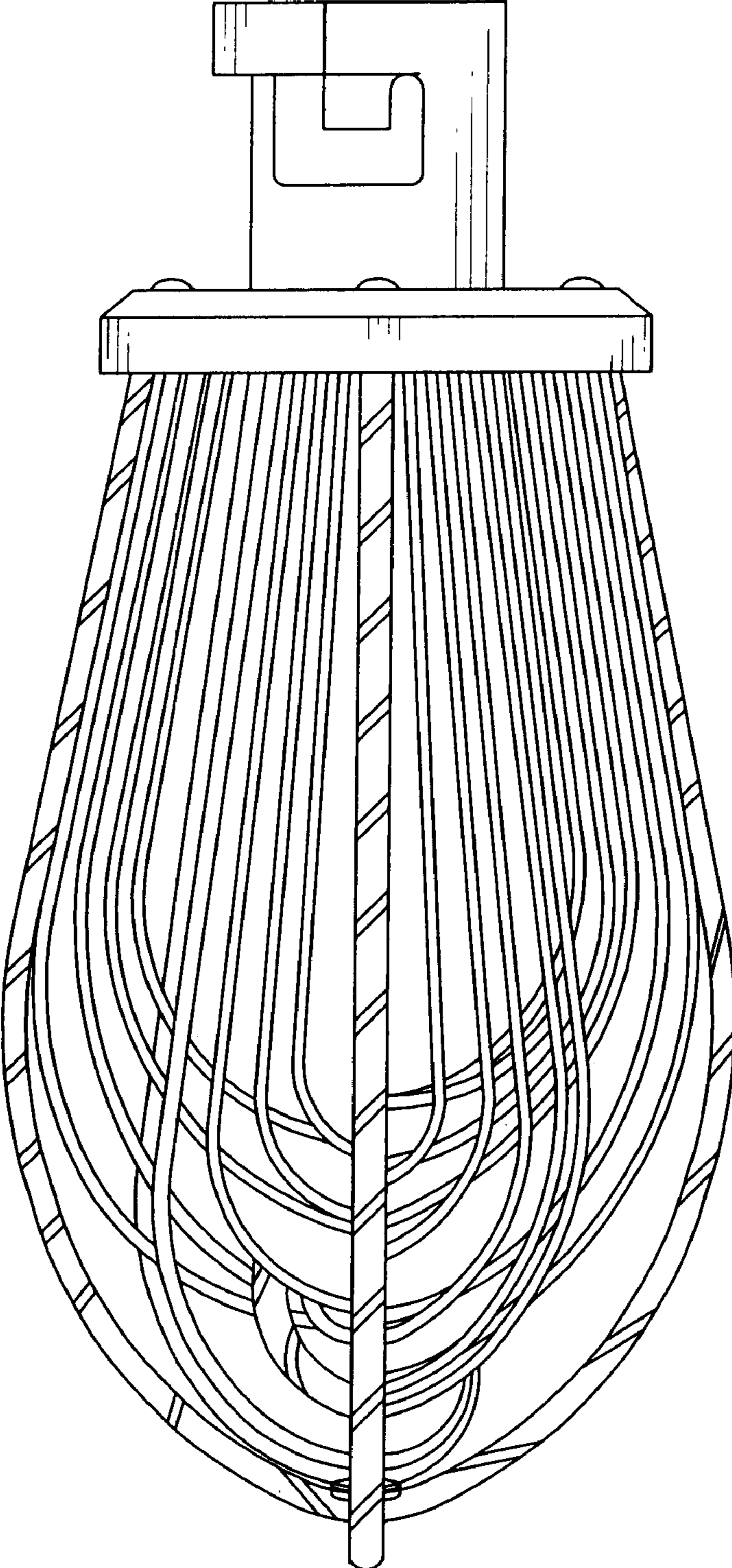


FIG. 4

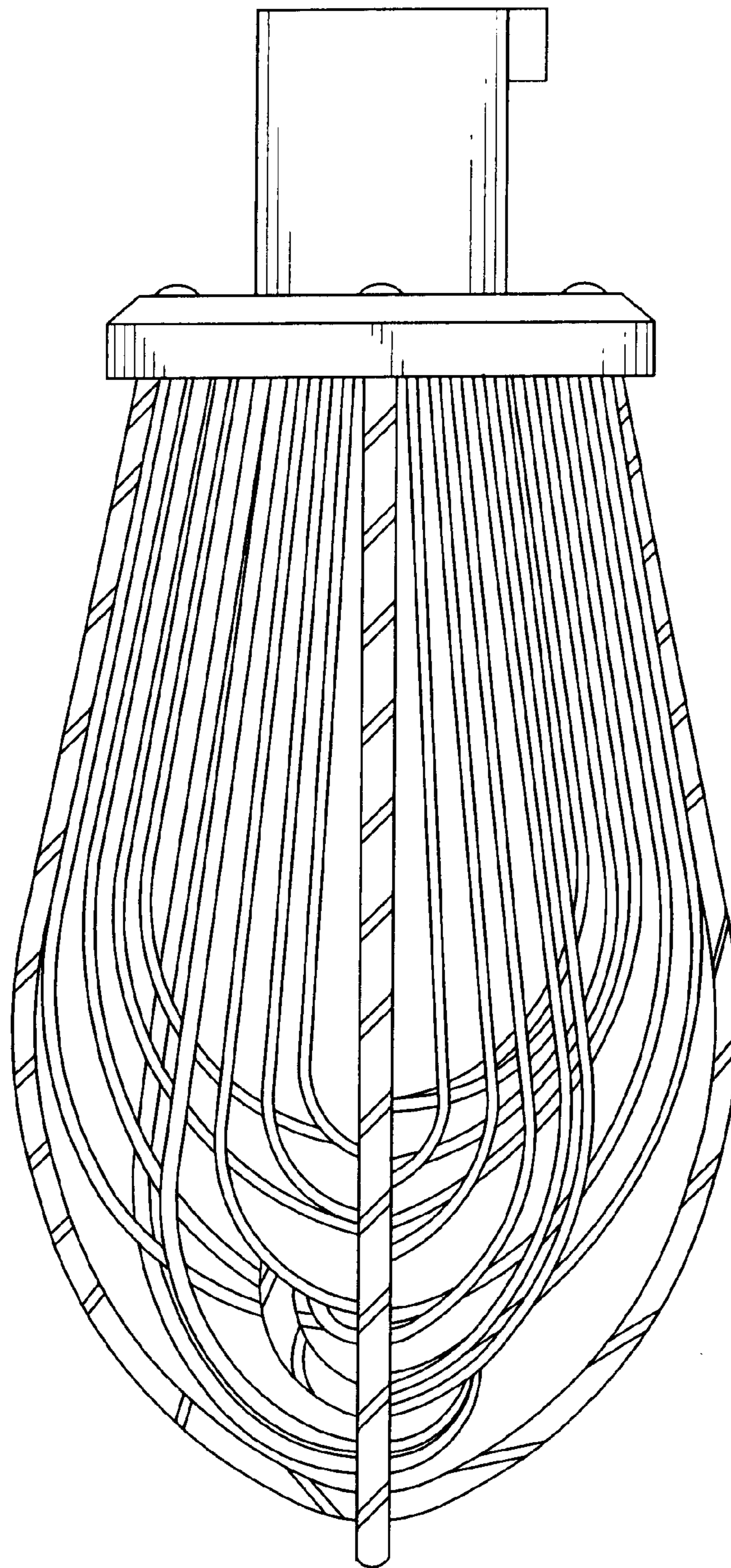


FIG. 5

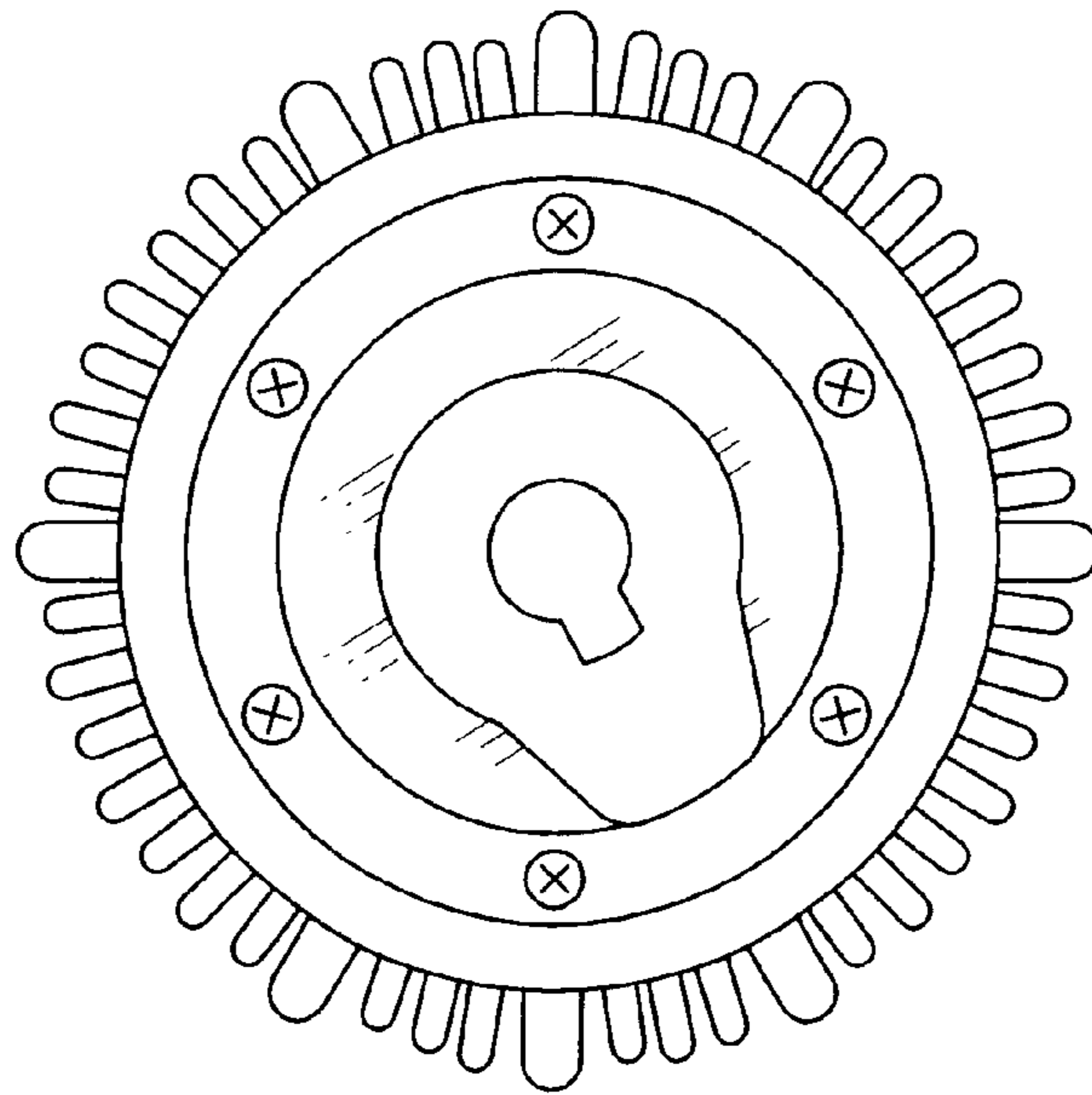


FIG. 6

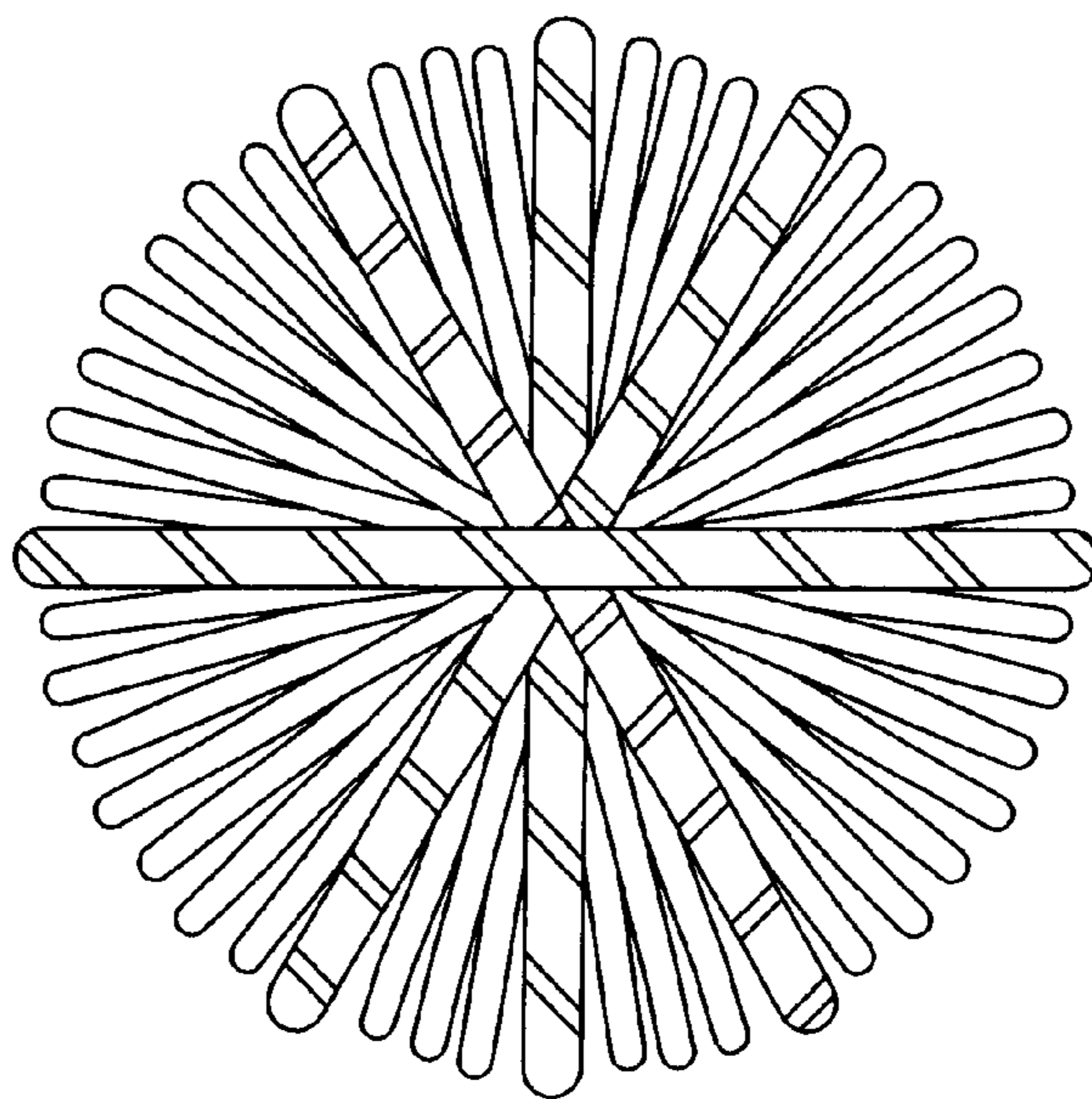


FIG. 7