



US00D511070S

(12) **United States Design Patent**
Pai

(10) **Patent No.: US D511,070 S**
(45) **Date of Patent: ** Nov. 1, 2005**

(54) **BARBECUE GRILL**

(76) **Inventor: Lucas Pai**, 19F.-1, No. 159, Sec. 1
Chung-Kang Rd., West Dist., Taichung
City (TW)

(**) **Term: 14 Years**

(21) **Appl. No.: 29/205,487**

(22) **Filed: May 17, 2004**

(51) **LOC (8) Cl. 07-02**

(52) **U.S. Cl. D7/402**

(58) **Field of Search** D7/332, 334-337,
D7/402-405, 346, 362-367; 126/25 R,
25 A, 25 AA, 40, 41 R, 38-39 R, 50, 304 R,
305, 9 R, 19 M, 245; 108/115; 99/450;
219/451.1, 452.11, 455.11, 385, 520, 450.1;
248/129, 188.6, 250, 439

(56) **References Cited**

U.S. PATENT DOCUMENTS

- D455,598 S * 4/2002 Pai D7/337
- D461,360 S * 8/2002 Bossler D7/337
- D464,525 S * 10/2002 Pai D7/337
- D464,844 S * 10/2002 Pai D7/337

- D468,151 S * 1/2003 Yeh et al. D7/337
- D473,415 S * 4/2003 Yeh D7/337
- D478,772 S * 8/2003 Chung D7/337
- D498,114 S * 11/2004 Zhang D7/337
- D499,299 S * 12/2004 Zhang D7/337
- D503,868 S * 4/2005 Pai D7/337

* cited by examiner

Primary Examiner—Ruth McInroy
(74) *Attorney, Agent, or Firm*—Egbert Law Offices

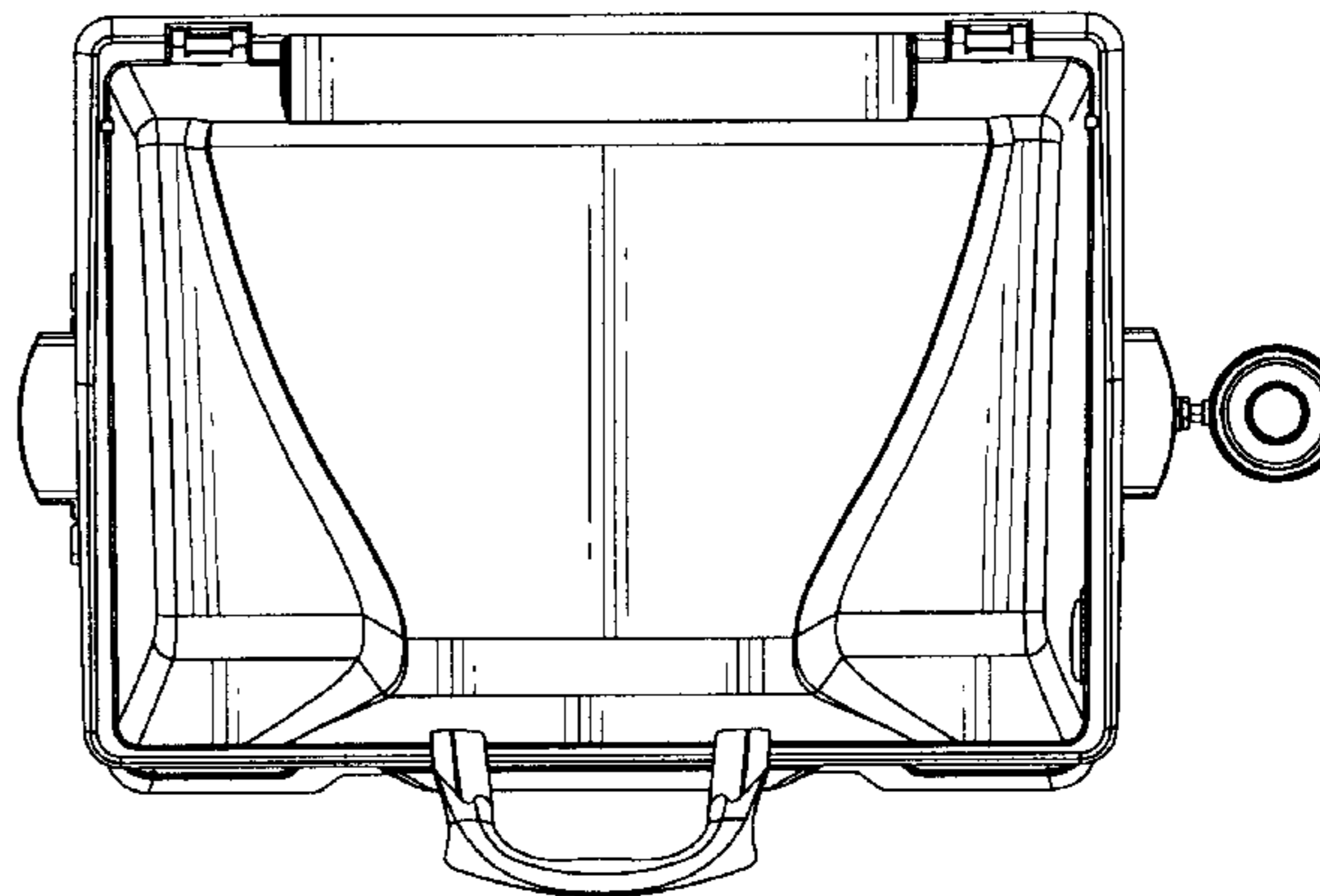
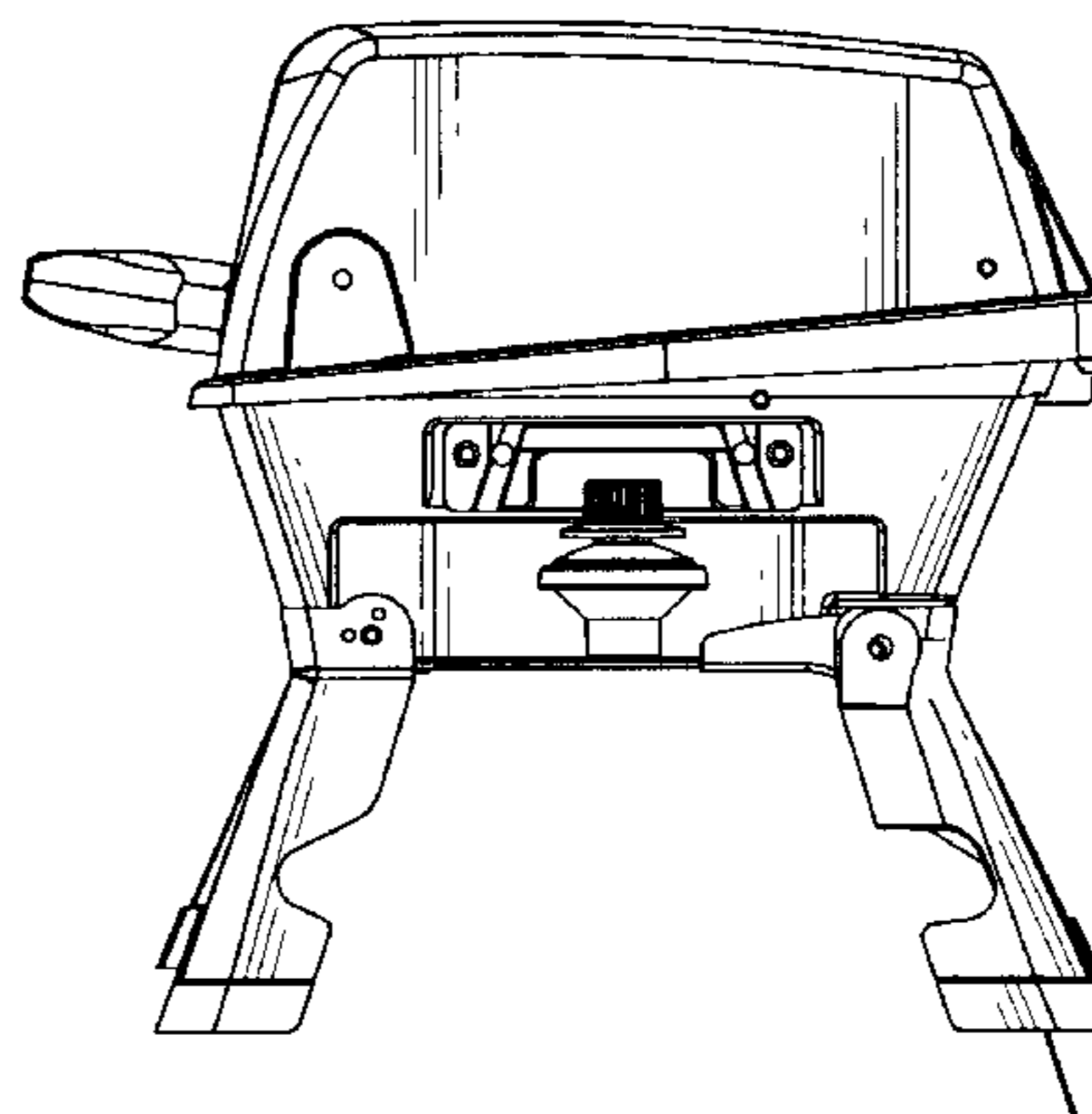
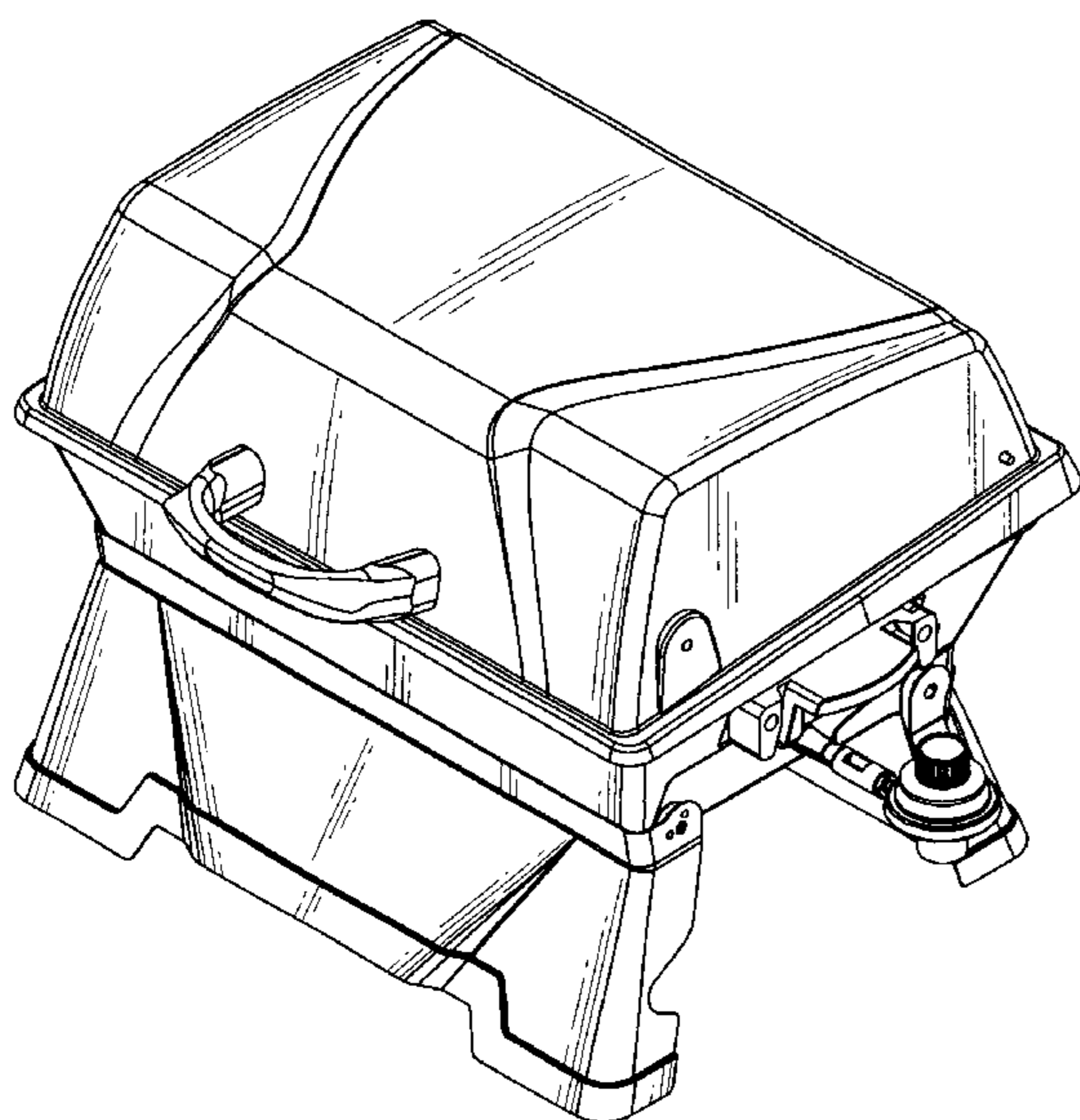
(57) **CLAIM**

I claim the ornamental design for a barbecue grill, as shown and described.

DESCRIPTION

FIG. 1 is an upper perspective view of a barbecue grill showing my new design;
 FIG. 2 is a front view thereof;
 FIG. 3 is a back view thereof;
 FIG. 4 is a side view thereof;
 FIG. 5 is an opposite side view thereof;
 FIG. 6 is a top view thereof; and,
 FIG. 7 is a bottom view thereof.

1 Claim, 4 Drawing Sheets



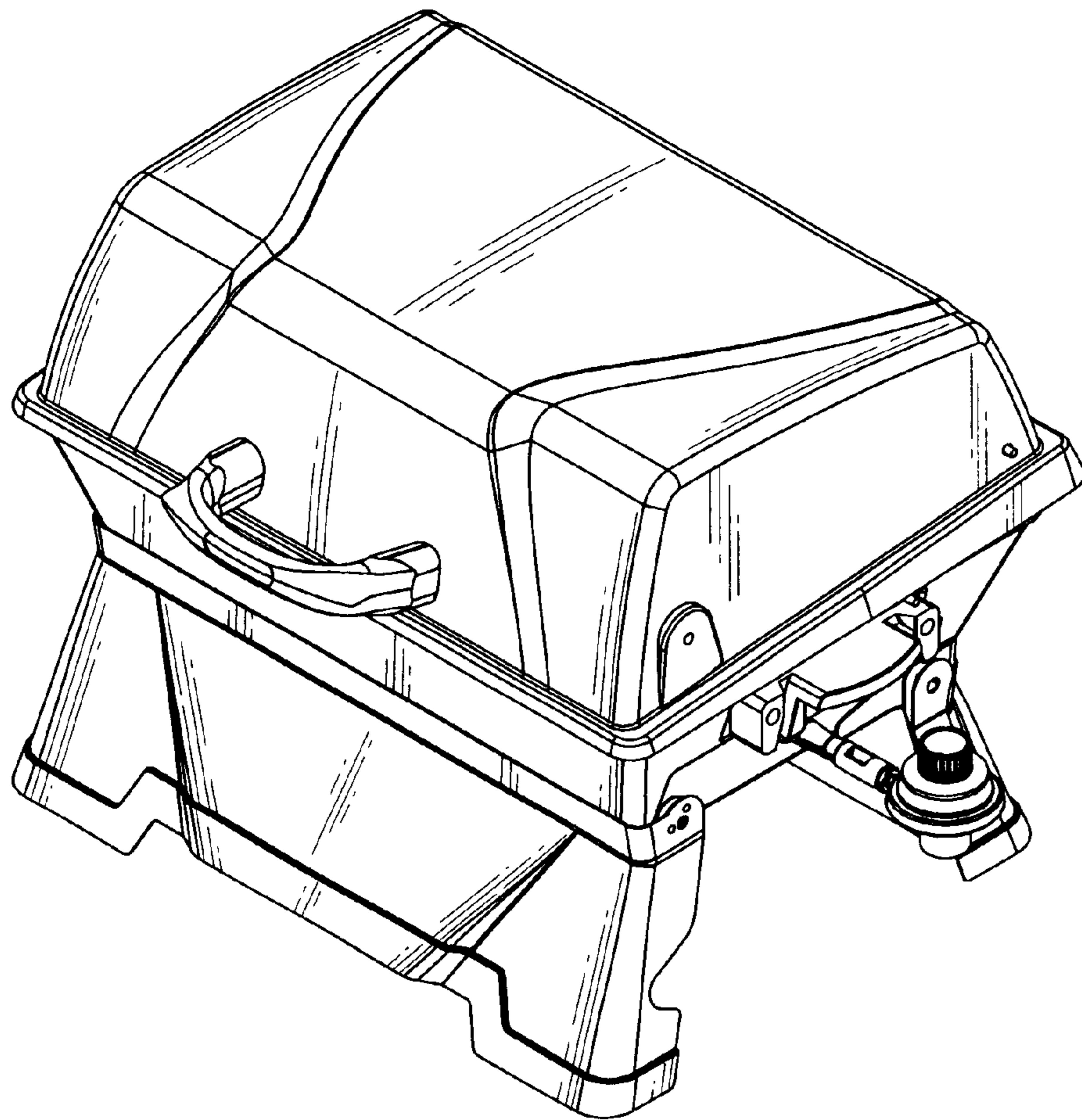


FIG.1

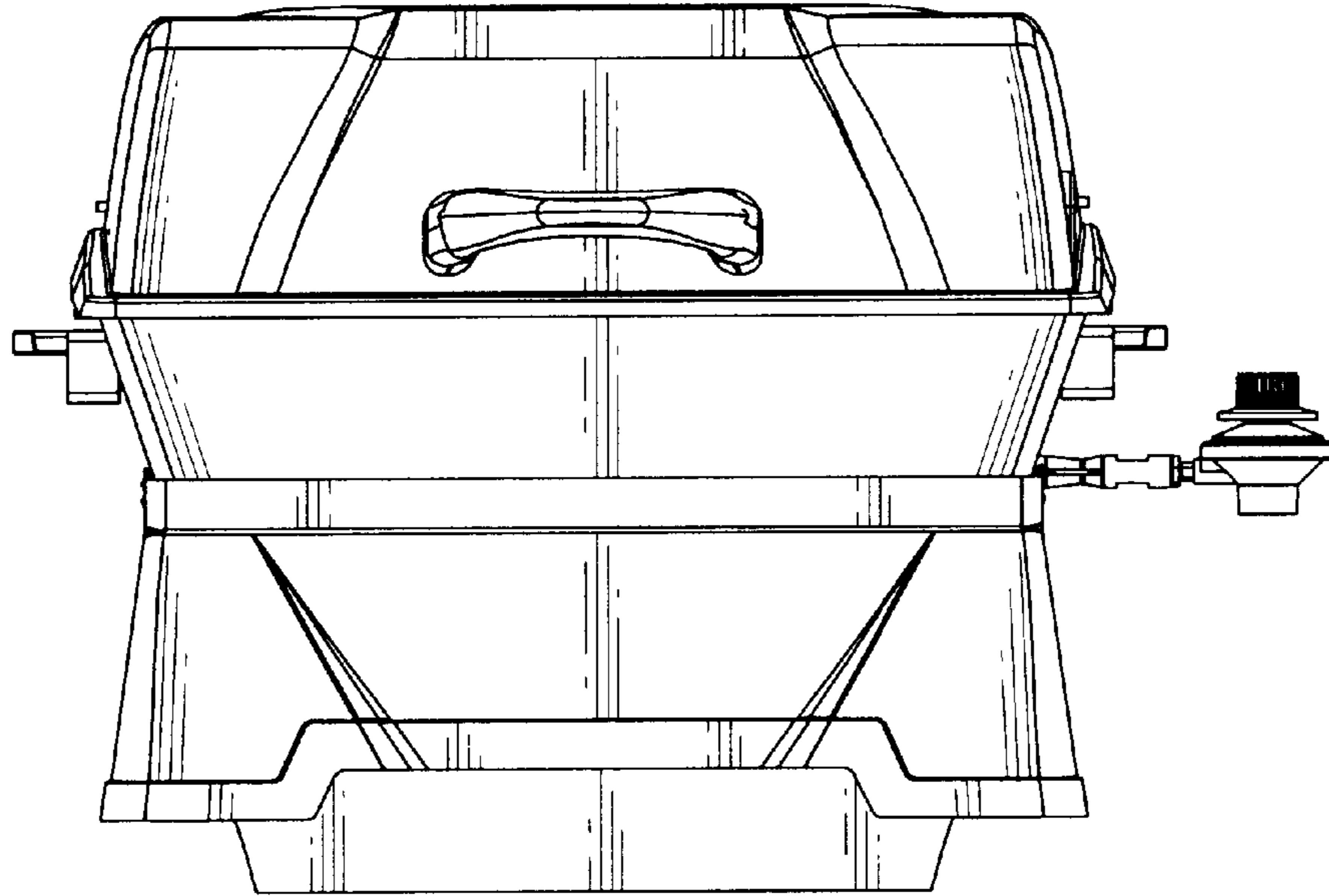


FIG. 2

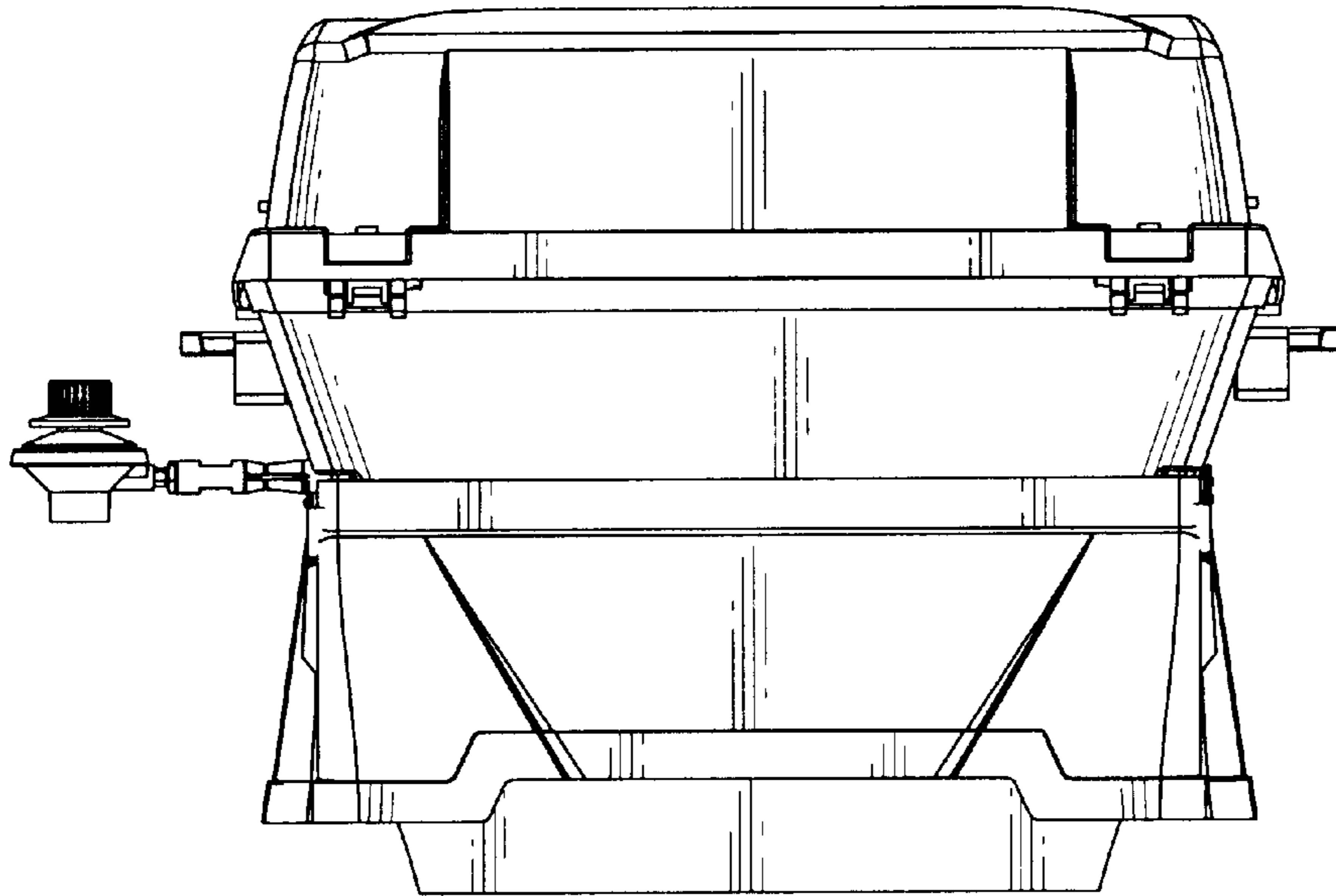


FIG. 3

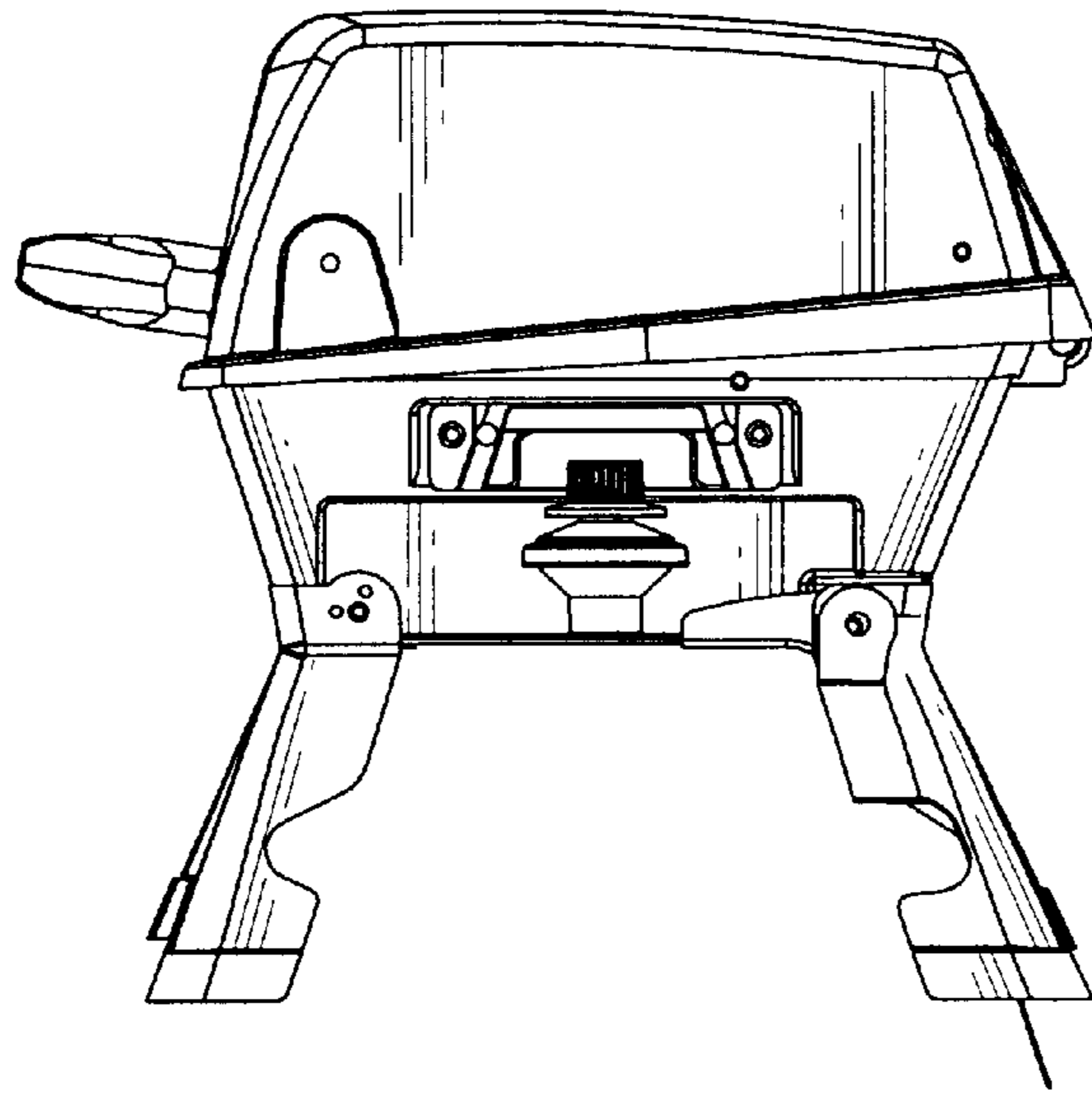


FIG. 4

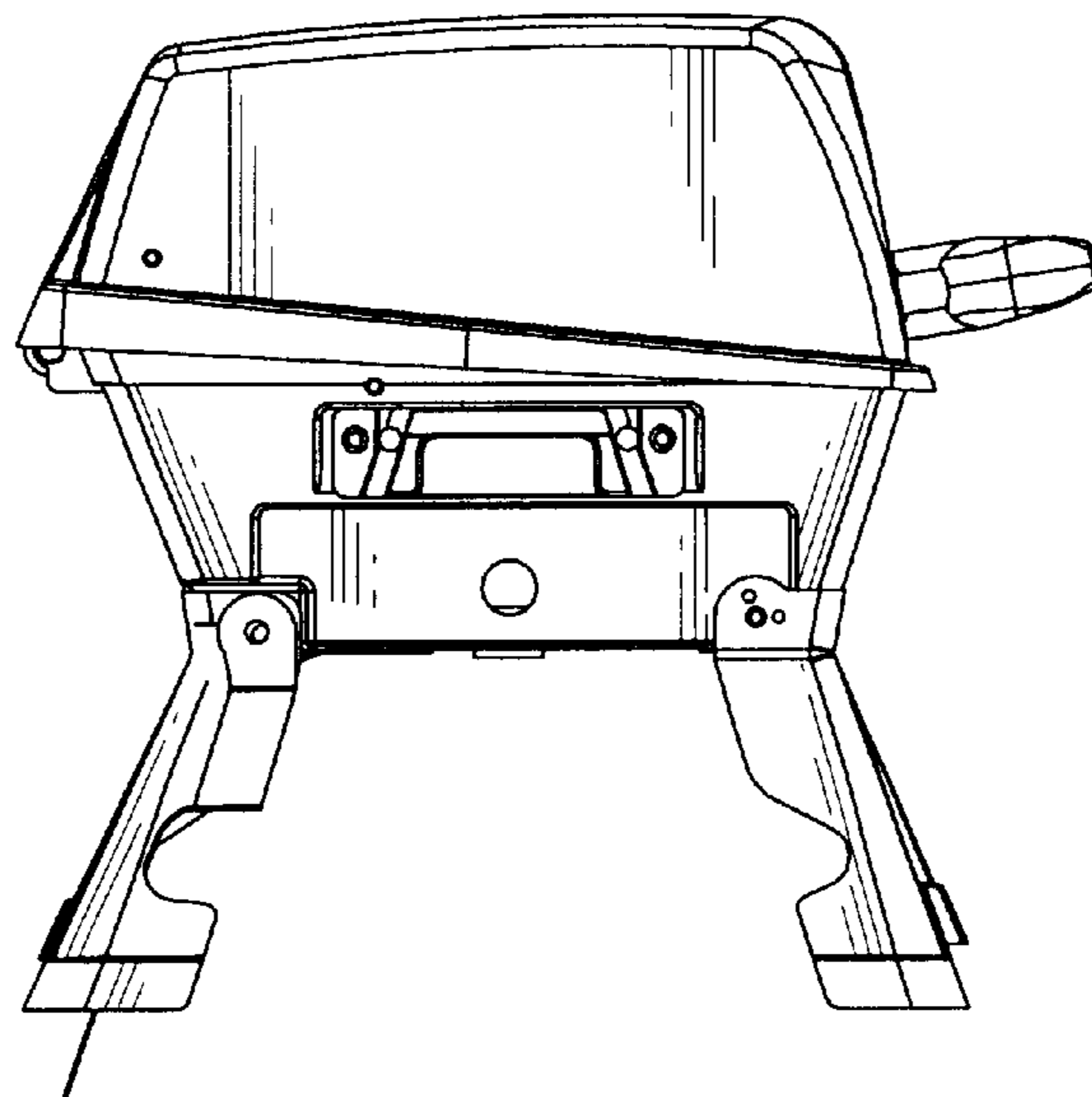


FIG. 5

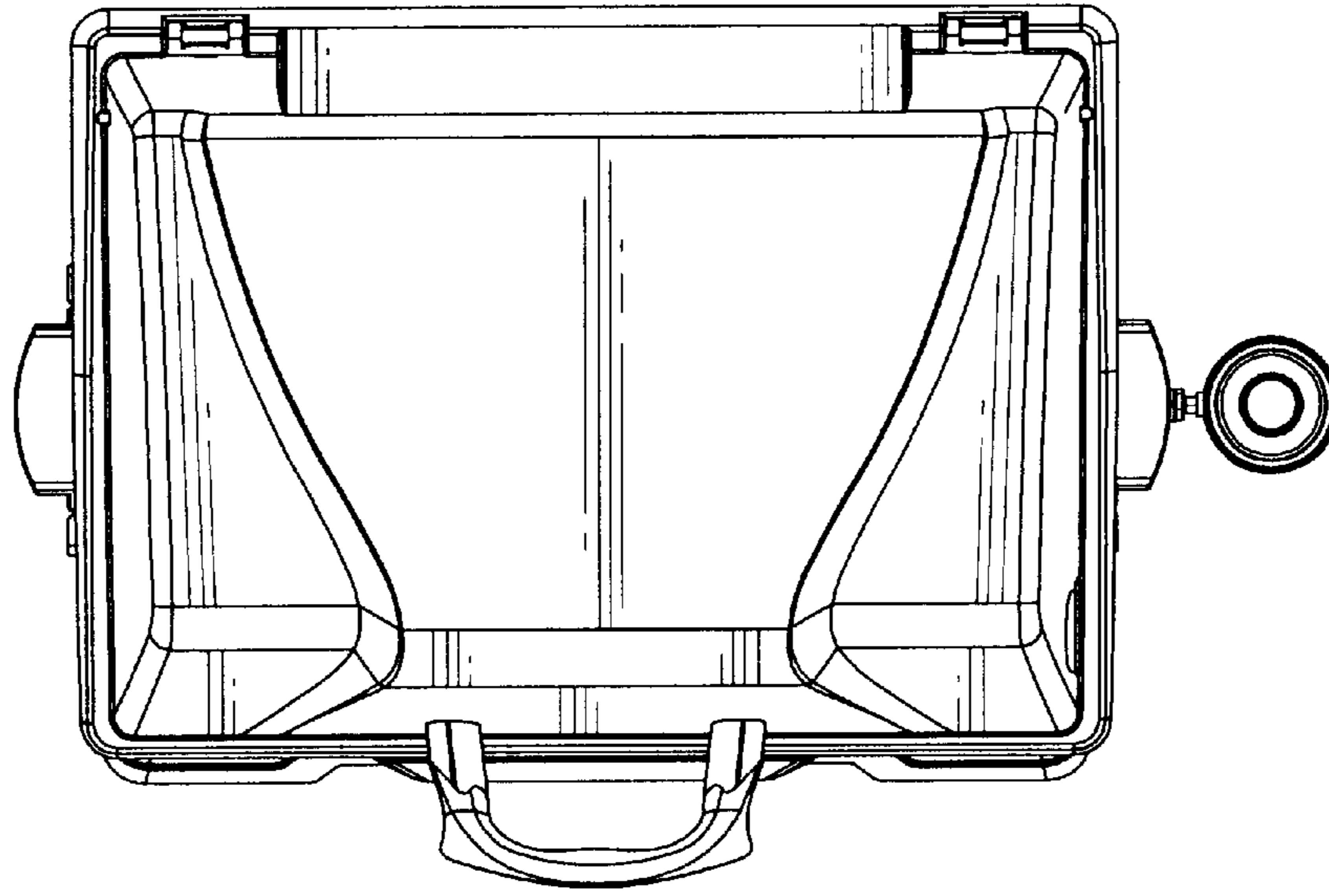


FIG. 6

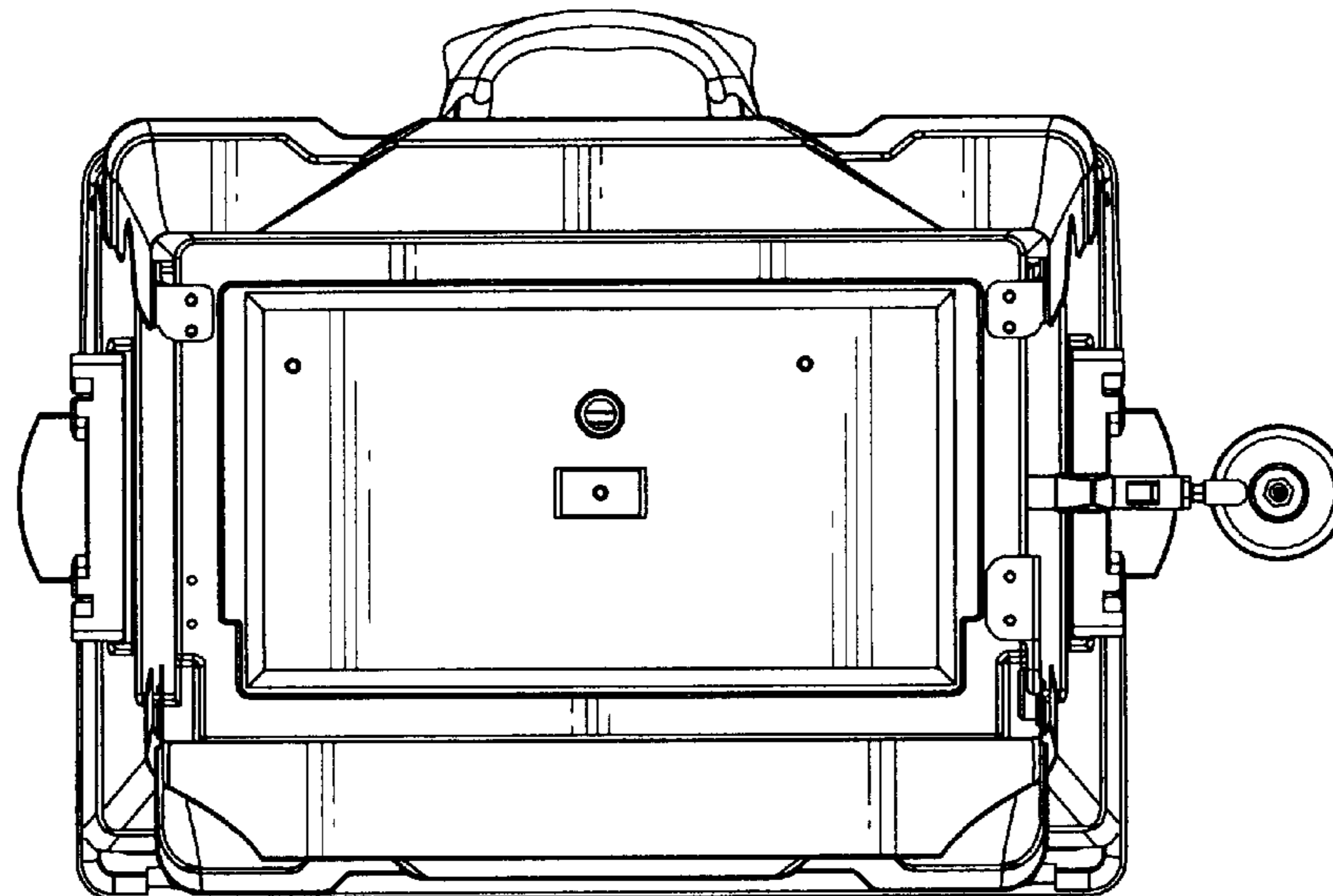


FIG. 7