

US00D511067S

(12) **United States Design Patent**
Johansson

(10) **Patent No.:** **US D511,067 S**

(45) **Date of Patent:** **** Nov. 1, 2005**

(54) **HOMOGENIZER**

(75) **Inventor:** **Claes-Göran Johansson, Löddeköpinge (SE)**

(73) **Assignee:** **Tetra Laval Holdings & Finance SA, Pully (CH)**

(**) **Term:** **14 Years**

(21) **Appl. No.:** **29/199,028**

(22) **Filed:** **Feb. 10, 2004**

(51) **LOC (8) Cl.** **31-00**

(52) **U.S. Cl.** **D7/377**

(58) **Field of Search** D7/376-386; D15/124;
241/46.04; 366/53, 143, 163.1, 176.1, 208,
241, 296, 306; 451/75, 89

(56) **References Cited**

U.S. PATENT DOCUMENTS

4,153,374 A * 5/1979 Adams 366/208
D323,661 S * 2/1992 Zwicker D15/124

5,460,564 A * 10/1995 Bowes et al. 451/89
D423,871 S * 5/2000 Persson et al. D7/377
6,099,395 A * 8/2000 Guseman 451/75

* cited by examiner

Primary Examiner—Caron D. Veynar

(74) *Attorney, Agent, or Firm*—Buchanan Ingersol PC

(57) **CLAIM**

The ornamental design for an homogenizer, as shown and described.

DESCRIPTION

FIG. 1 is a front, top perspective view of an homogenizer showing my new design.

FIG. 2 is a rear, bottom perspective view thereof.

FIG. 3 is a front elevational view thereof.

FIG. 4 is a rear elevational view thereof.

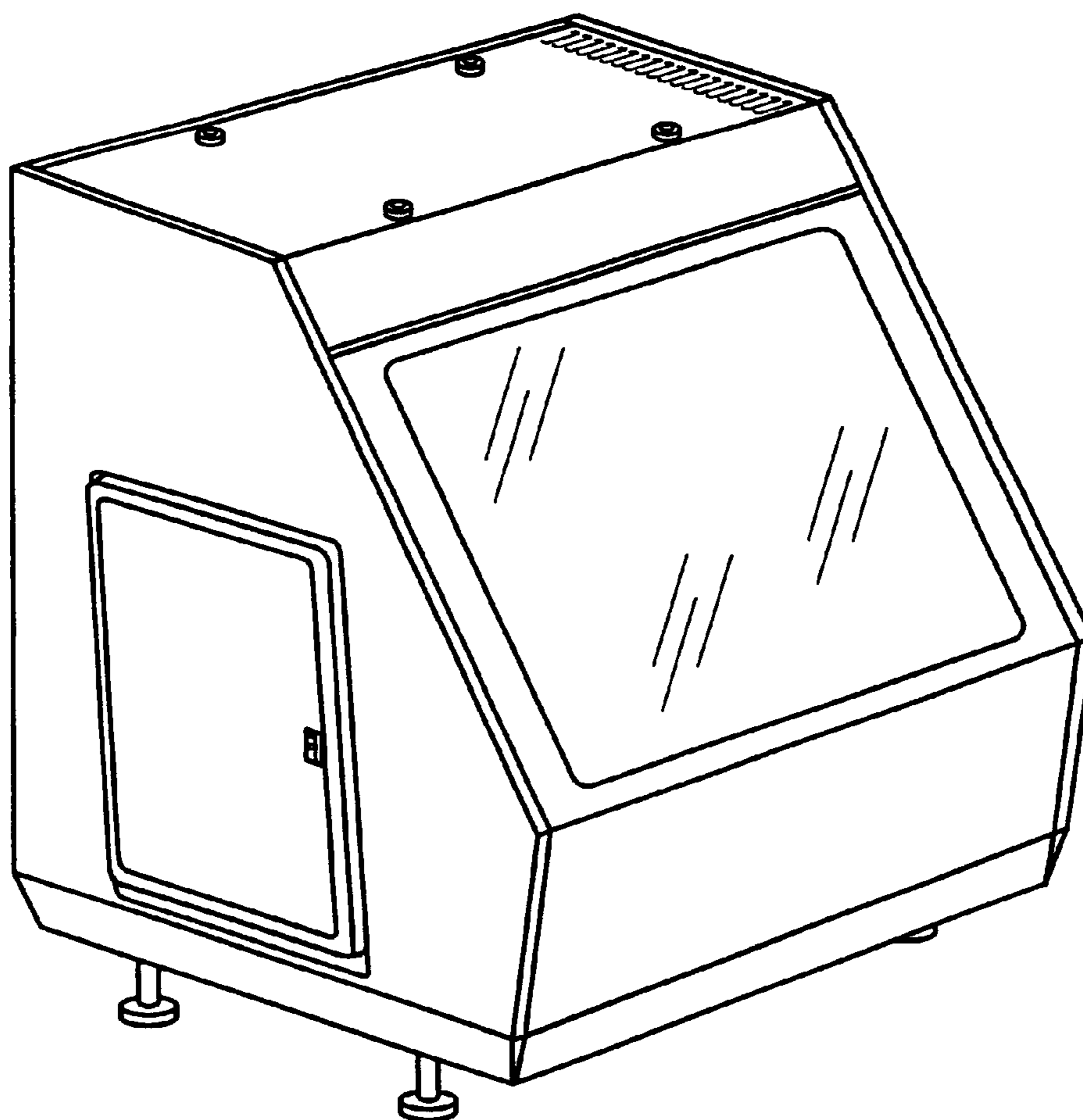
FIG. 5 is a left side elevational view thereof.

FIG. 6 is a right side elevational view thereof.

FIG. 7 is a top plan view thereof; and,

FIG. 8 is a bottom plan view thereof.

1 Claim, 4 Drawing Sheets



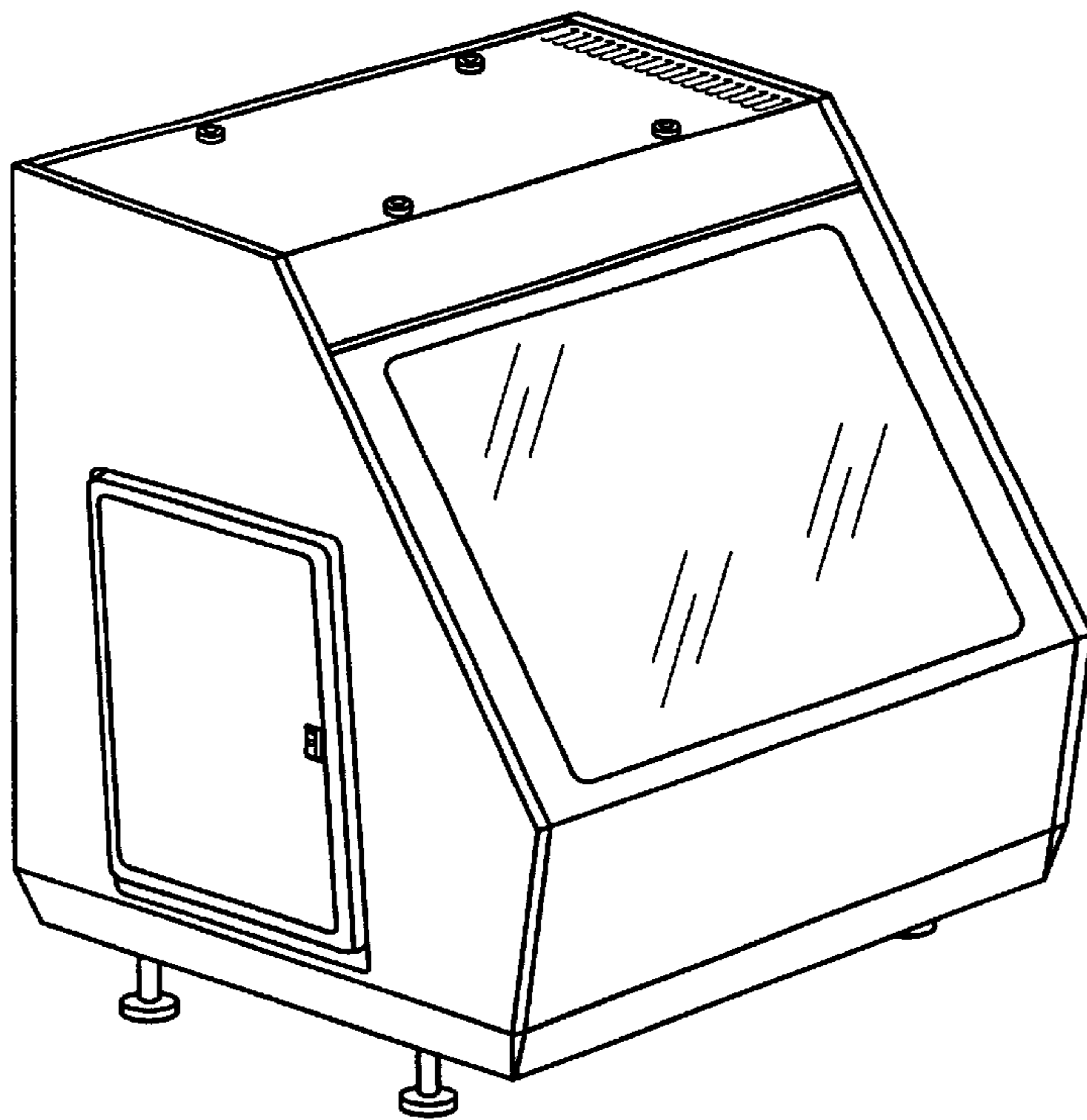


FIG. 1

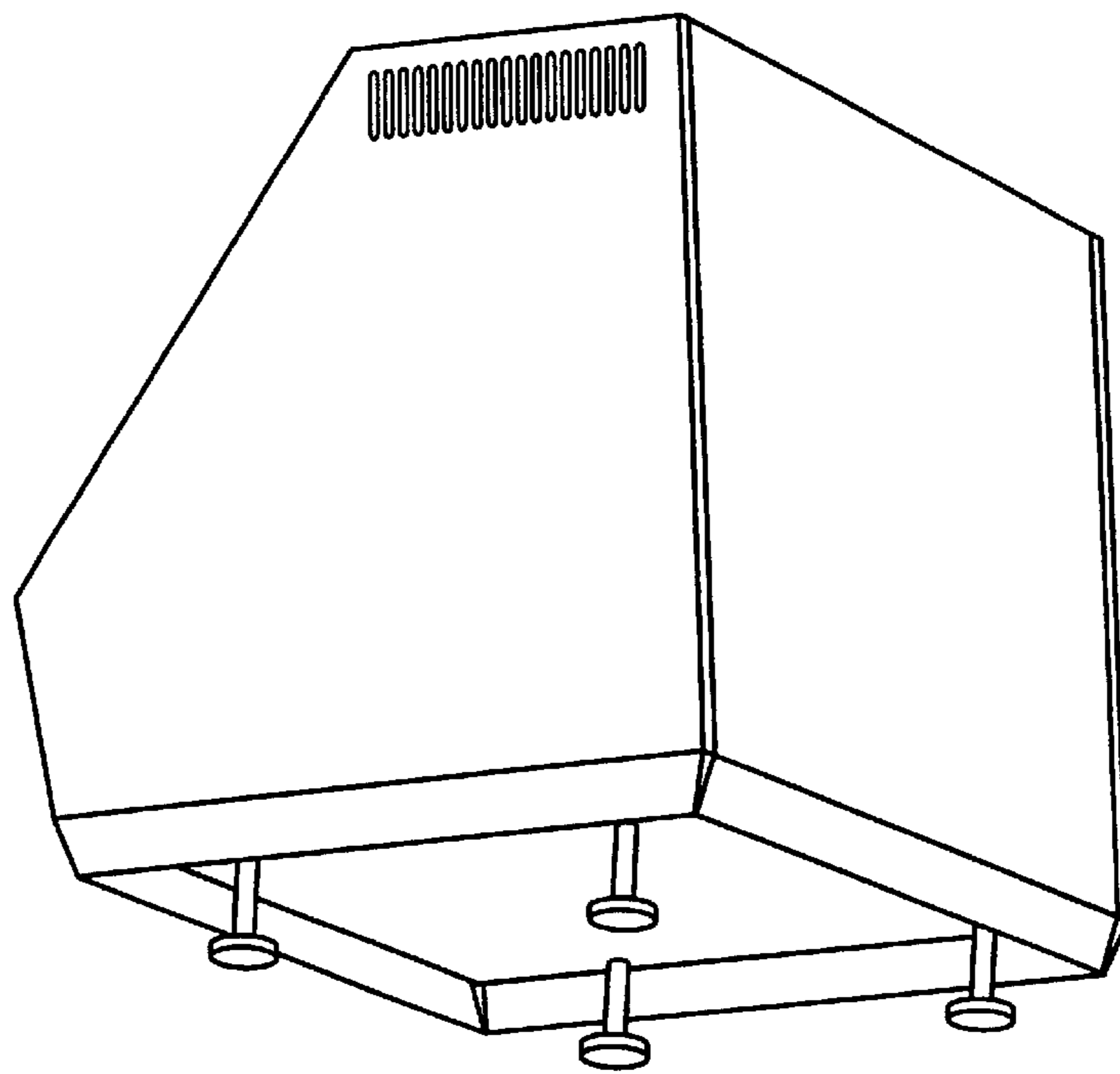


FIG. 2

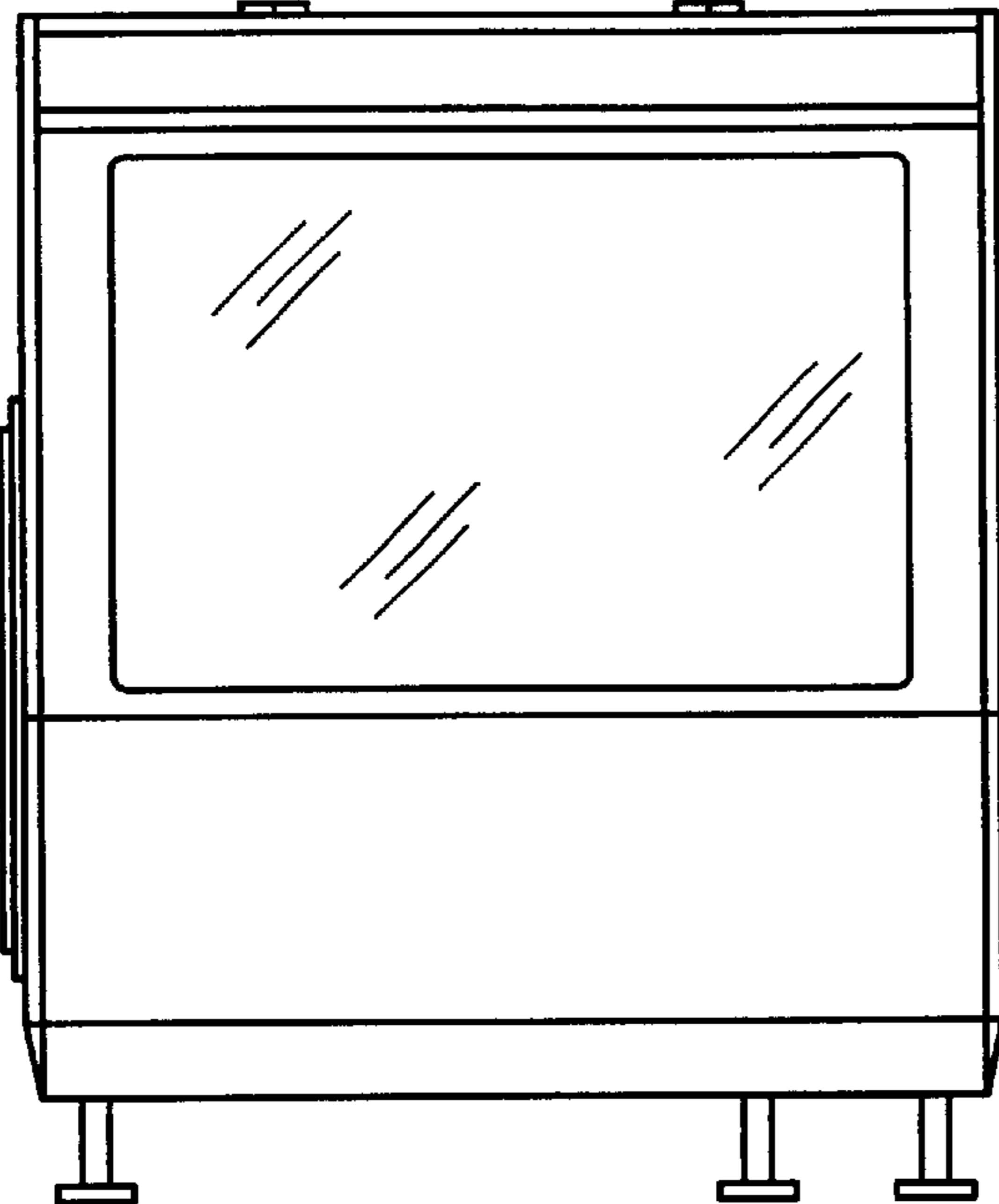


FIG. 3

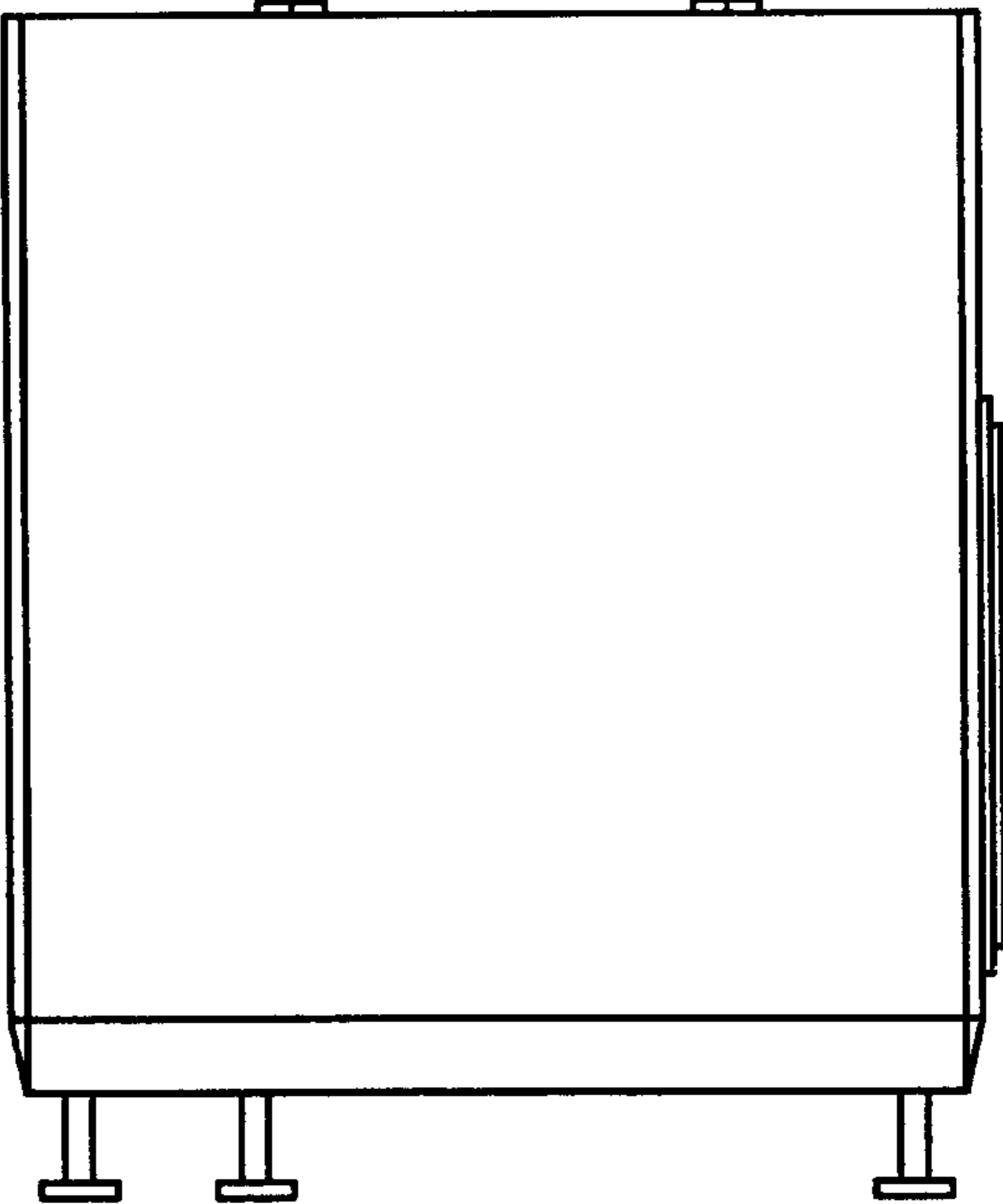


FIG. 4

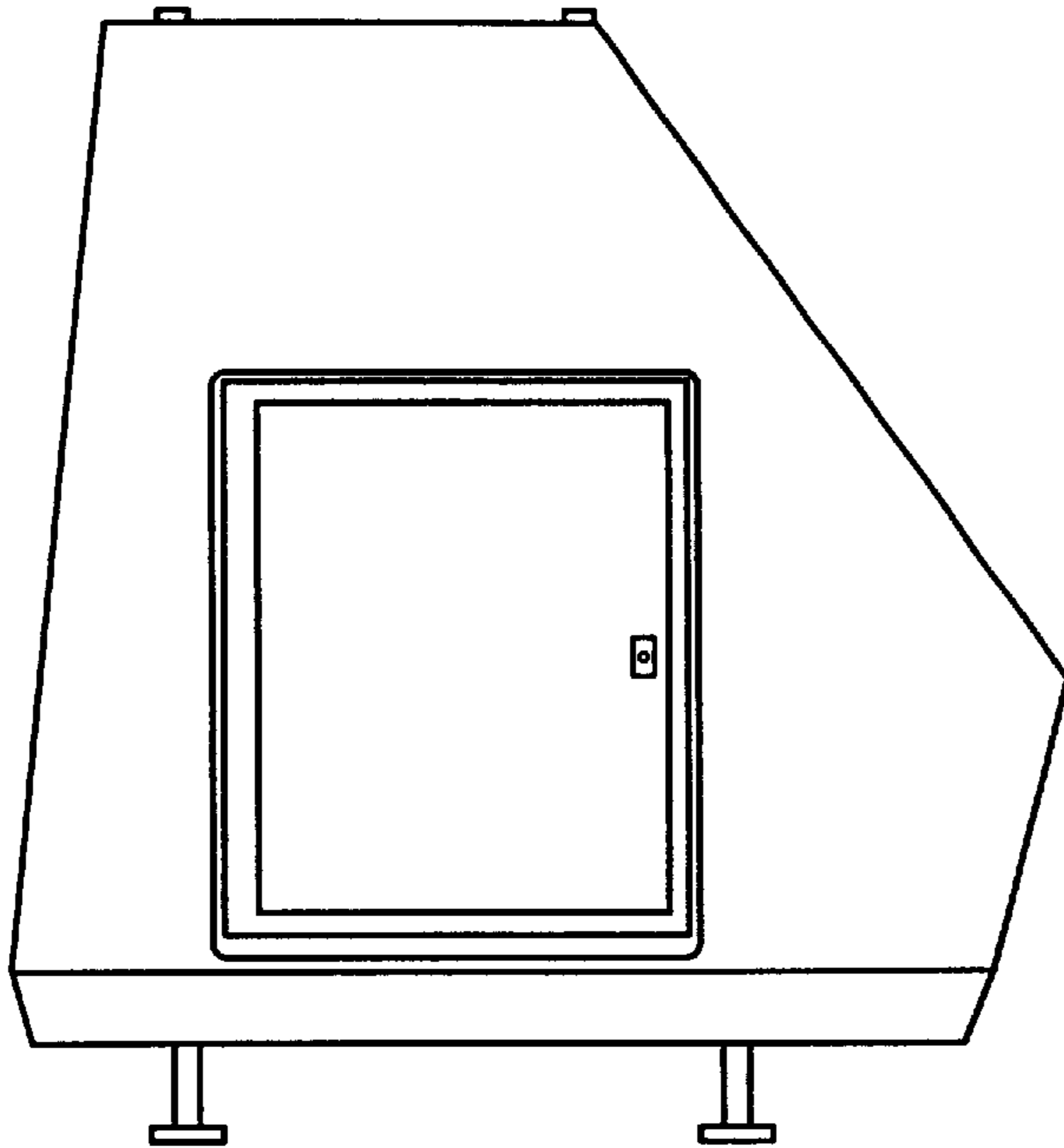


FIG. 5

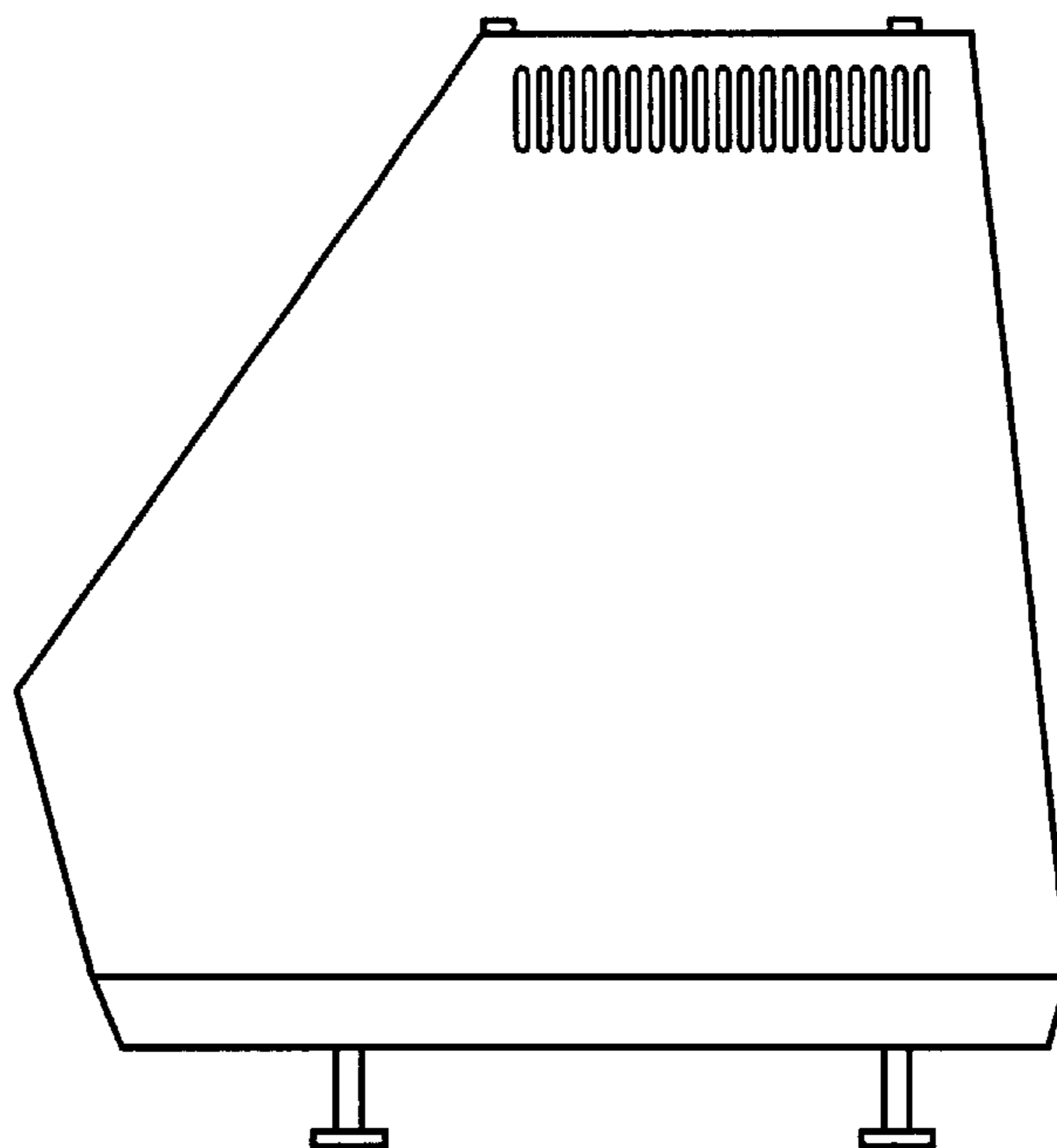


FIG. 6

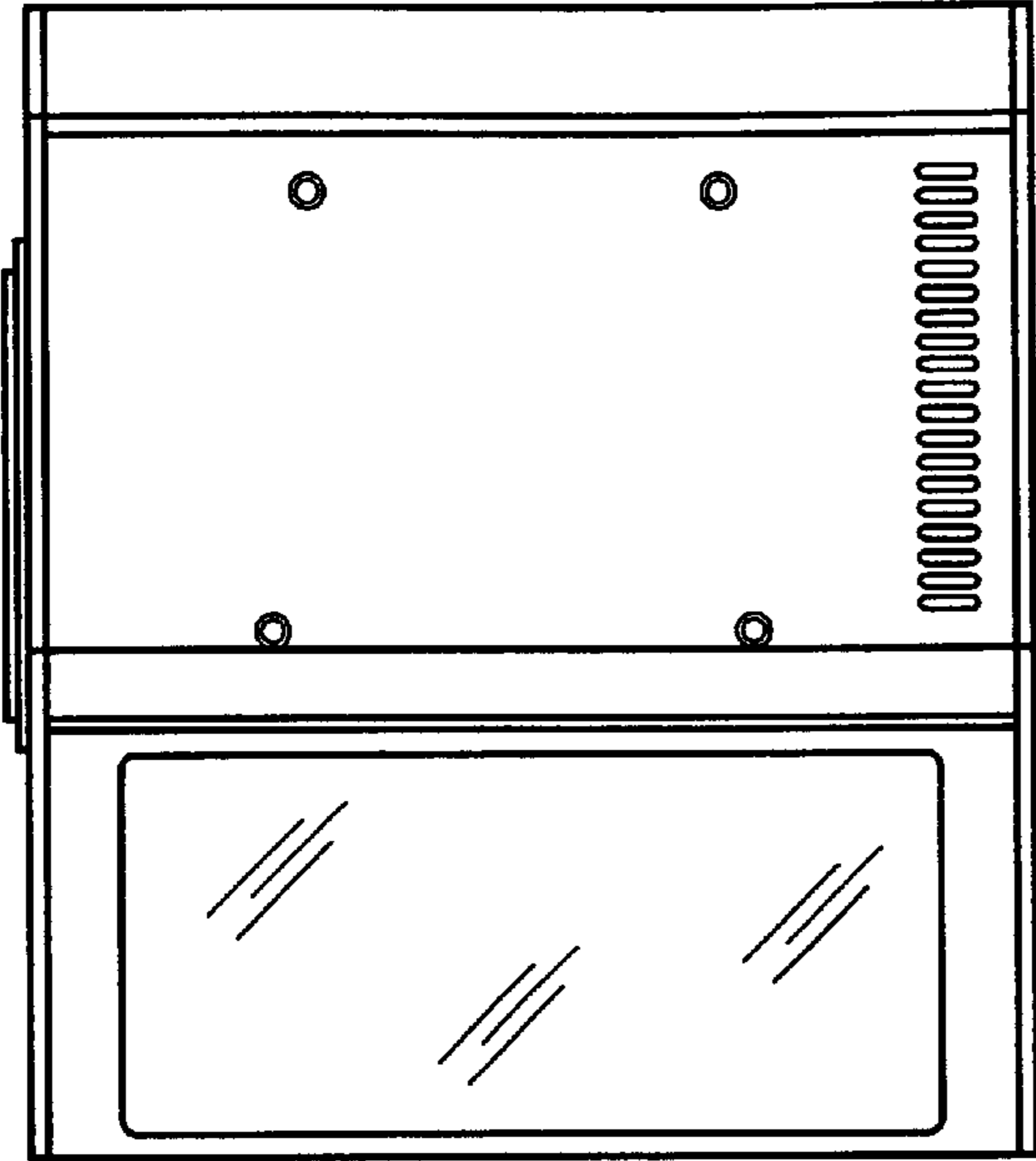


FIG. 7

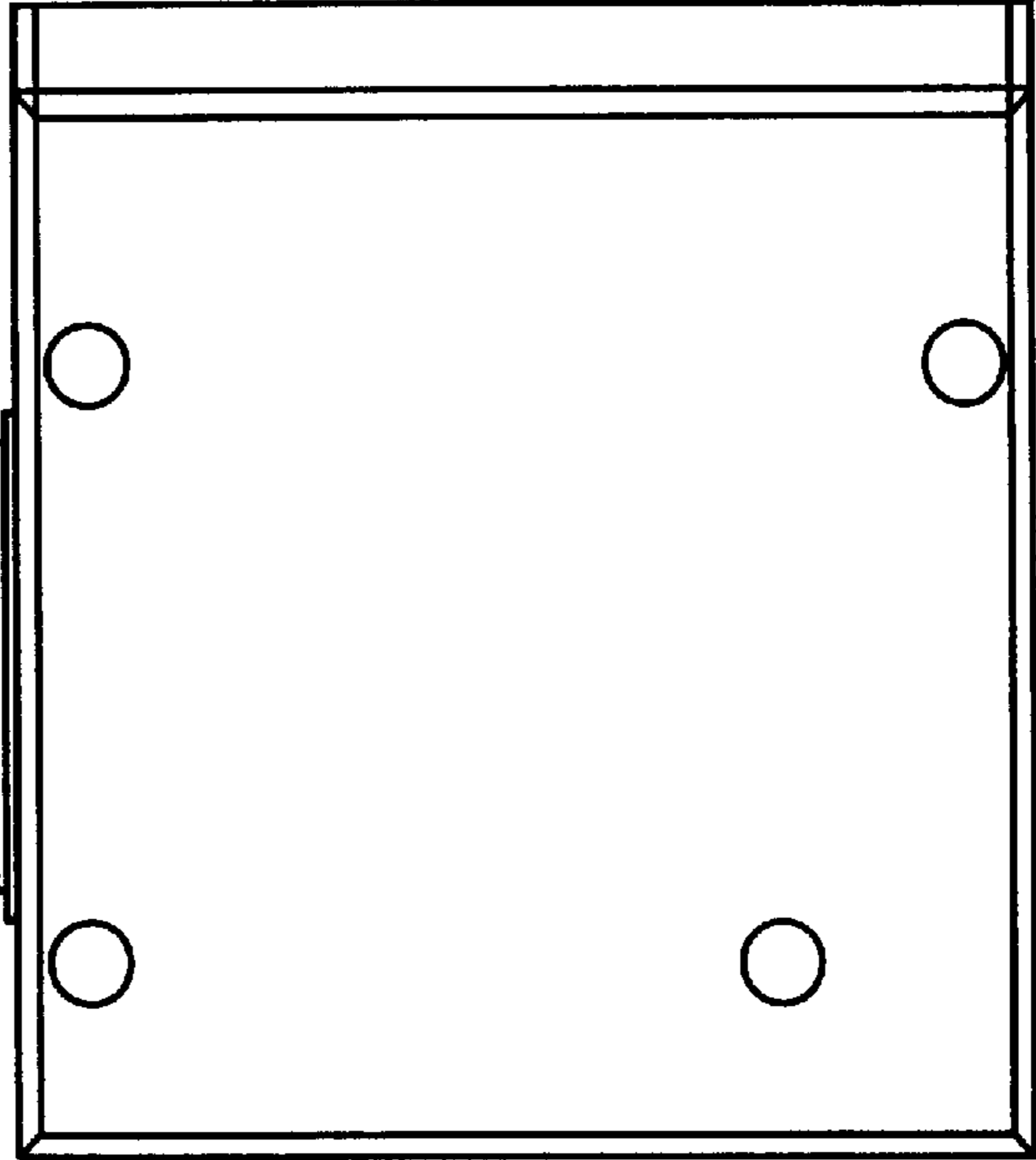


FIG. 8