



US00D511062S

(12) **United States Design Patent**  
**Lai**

(10) **Patent No.:** **US D511,062 S**  
(45) **Date of Patent:** **\*\* Nov. 1, 2005**

(54) **CONTAINER**

D499,593 S \* 12/2004 Berti ..... D6/551

(76) Inventor: **Ming-Hsiao Lai**, No. 8, Lane 2, Kung  
Chi Village, Ta Tsuen Hsiang,  
Chang-Hua Hsien (TW)

\* cited by examiner

*Primary Examiner*—Brian N Vinson  
(74) *Attorney, Agent, or Firm*—Harrison & Egbert

(\*\*) Term: **14 Years**

(57) **CLAIM**

(21) Appl. No.: **29/199,365**

The ornamental design for a container, as shown and described.

(22) Filed: **Feb. 17, 2004**

**DESCRIPTION**

(51) **LOC (8) Cl.** ..... **23-02**  
(52) **U.S. Cl.** ..... **D6/524; D6/551**  
(58) **Field of Search** ..... D6/524, 525, 551;  
312/206, 207; 206/207, 349, 361; 4/255.05,  
255.11

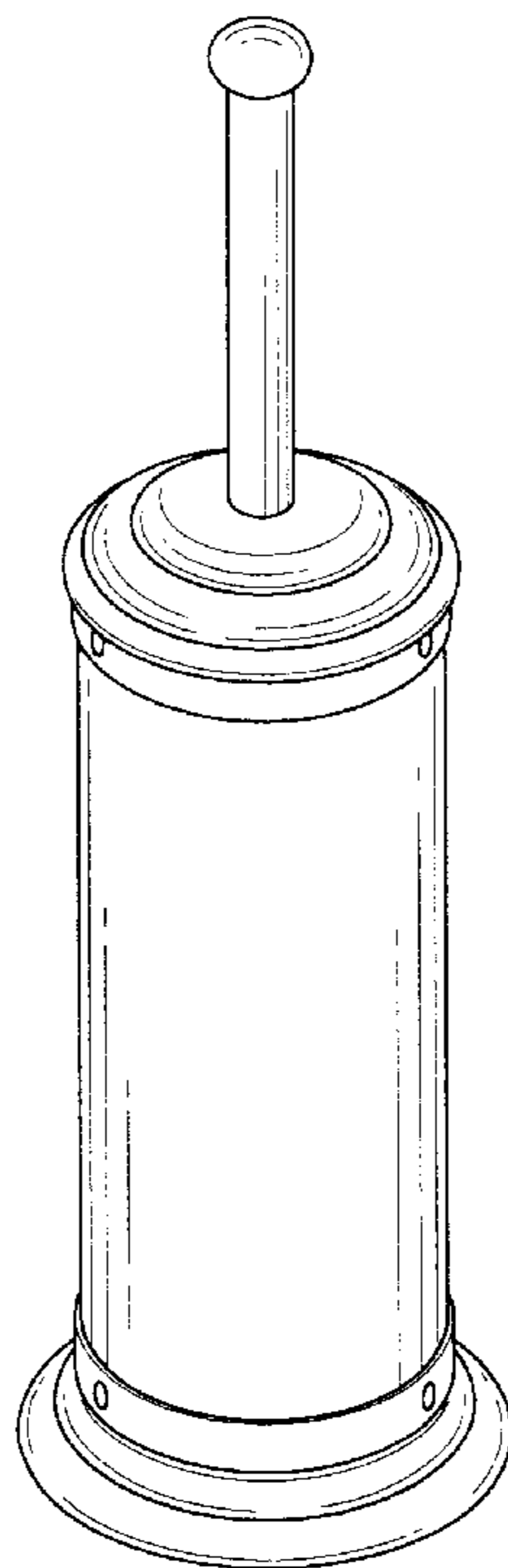
FIG. 1 is a top and front perspective view of the container showing my design;  
FIG. 2 is a front elevational view thereof;  
FIG. 3 is a rear elevational view thereof;  
FIG. 4 is a side elevational view thereof;  
FIG. 5 is an opposite side elevational view thereof;  
FIG. 6 is a top plan view thereof;  
FIG. 7 is a bottom plan view thereof;  
FIG. 8 is a top and front perspective view of a second embodiment thereof;  
FIG. 9 is a top and front perspective view of a third embodiment thereof; and,  
FIG. 10 is a top and front perspective view of a fourth embodiment thereof.

(56) **References Cited**

**U.S. PATENT DOCUMENTS**

D368,820 S	*	4/1996	Sander	.....	D6/551
D404,951 S	*	2/1999	Zawalsky	.....	D6/551
D413,470 S	*	9/1999	Burton	.....	D6/551
D424,306 S	*	5/2000	Strum et al.	.....	D6/551
D458,068 S	*	6/2002	Hillman	.....	D6/551
D465,957 S	*	11/2002	Driscoll et al.	.....	D6/551
D483,590 S	*	12/2003	Dretzka	.....	D6/551
D484,723 S	*	1/2004	Snell	.....	D6/551

**1 Claim, 6 Drawing Sheets**



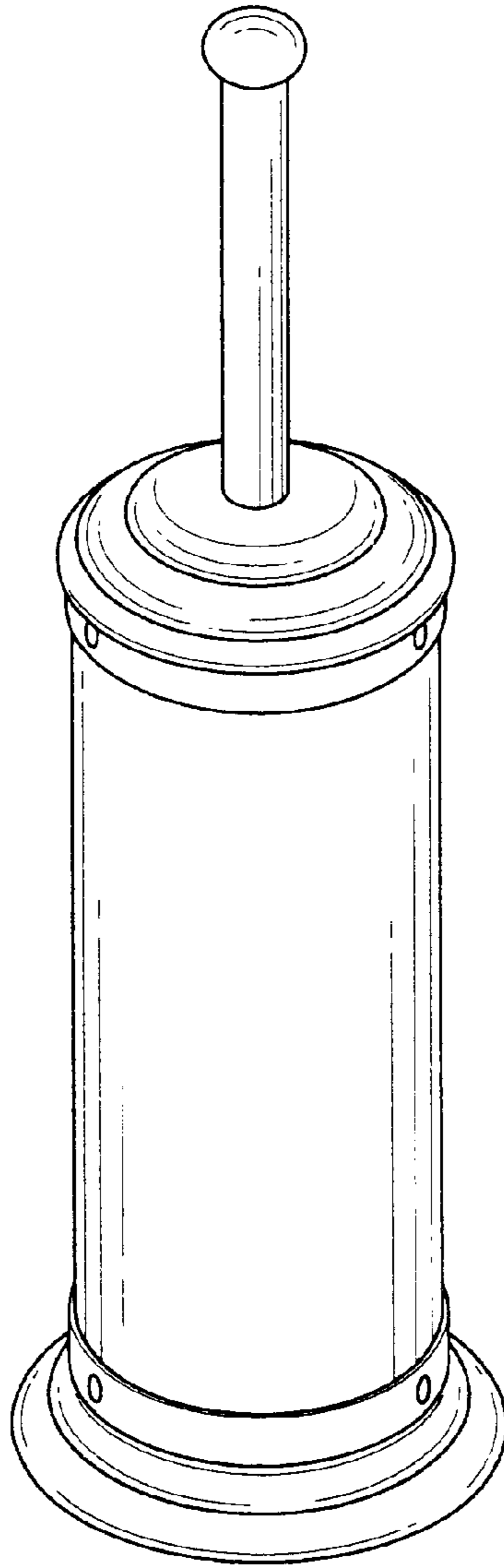


FIG. 1

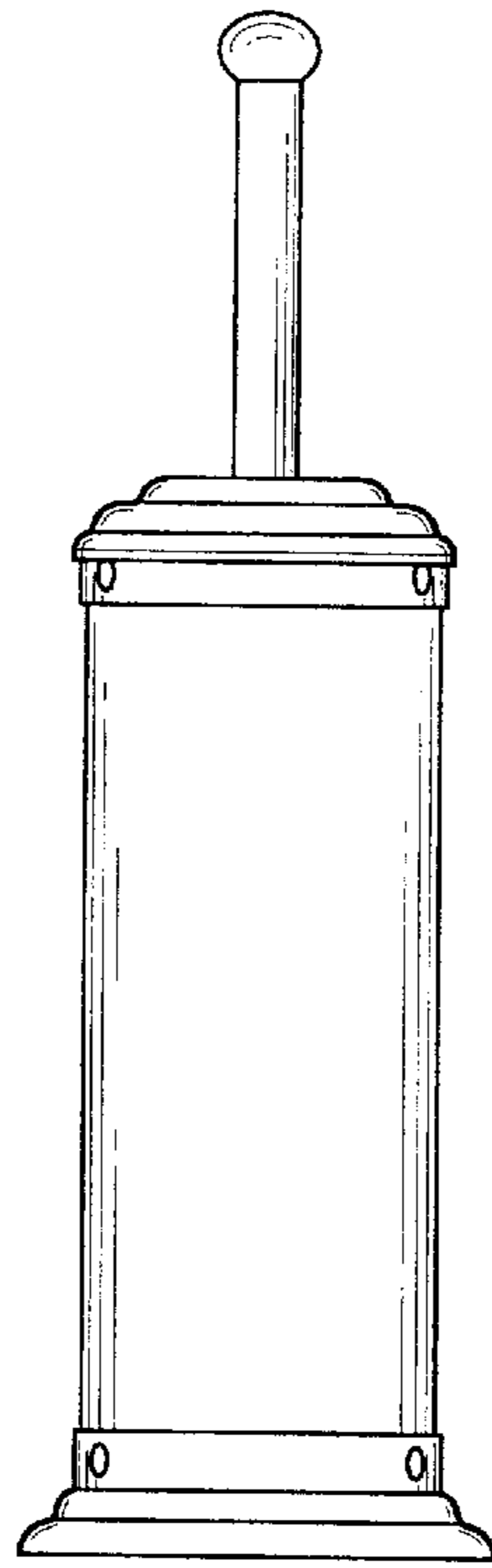


FIG. 2

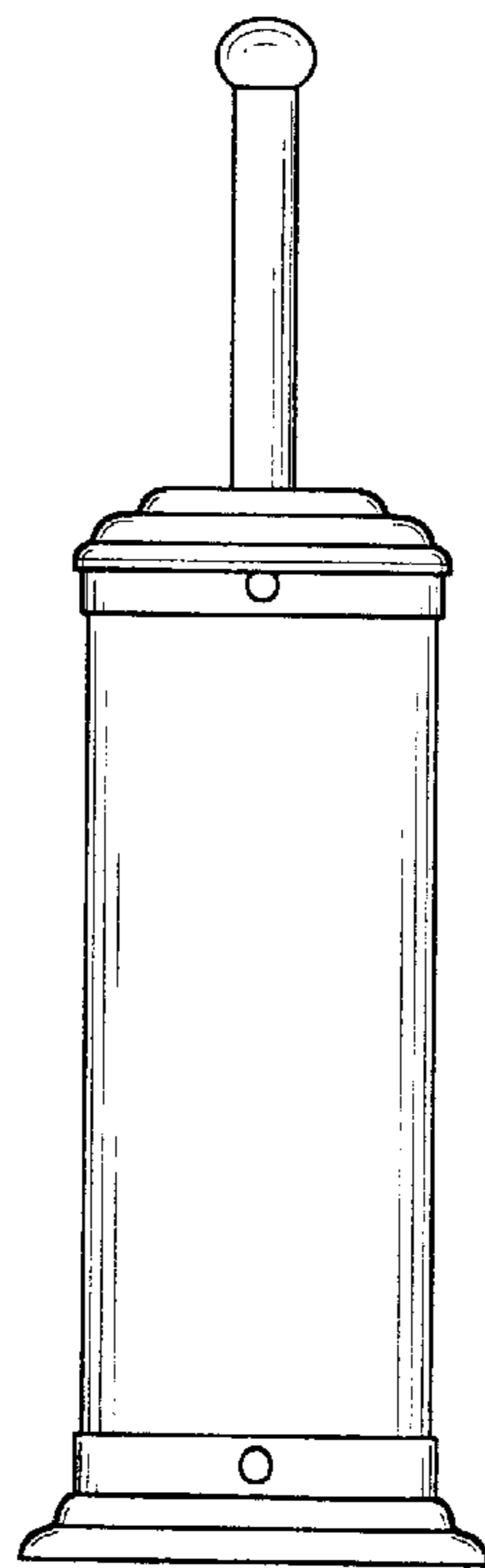


FIG. 3

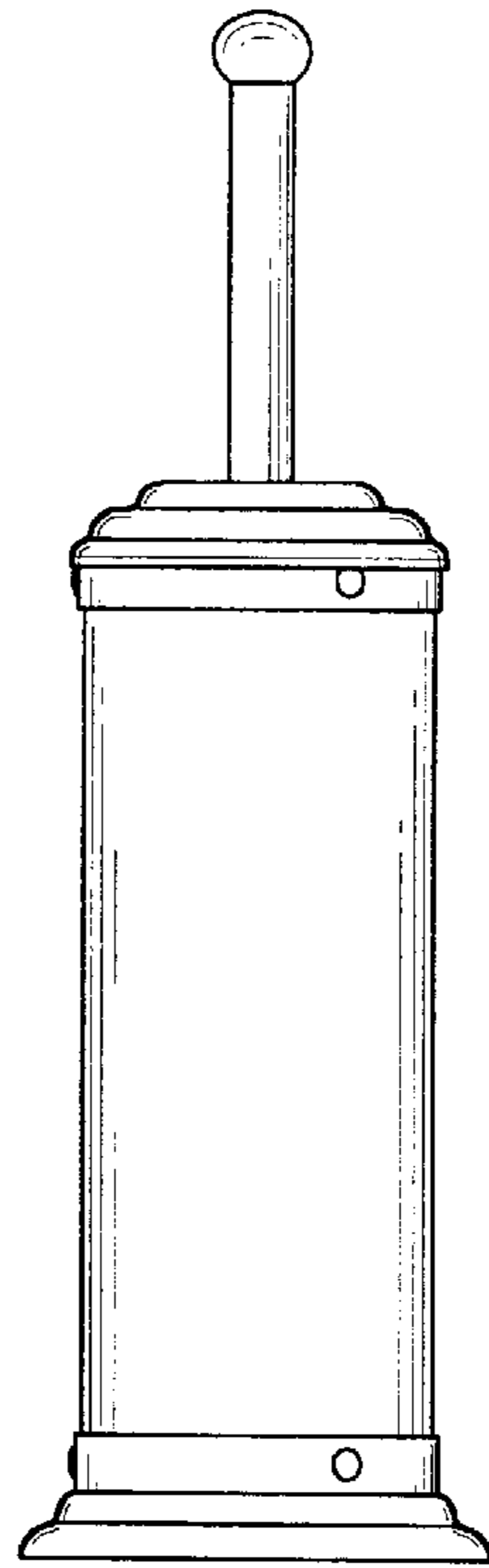


FIG. 4

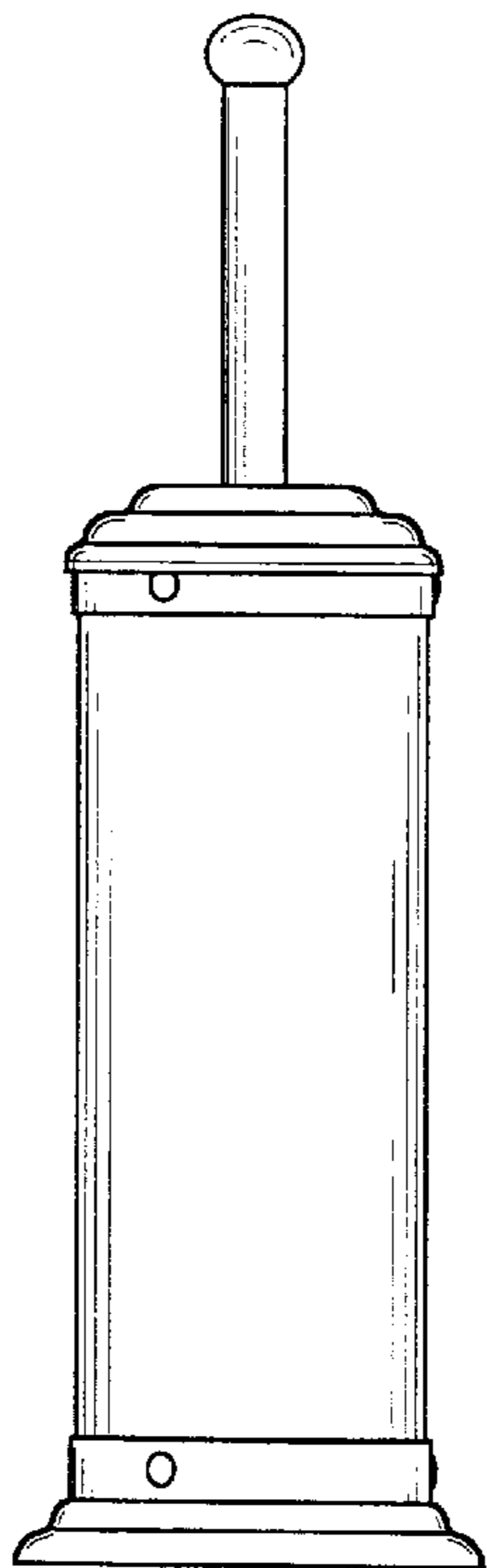


FIG. 5

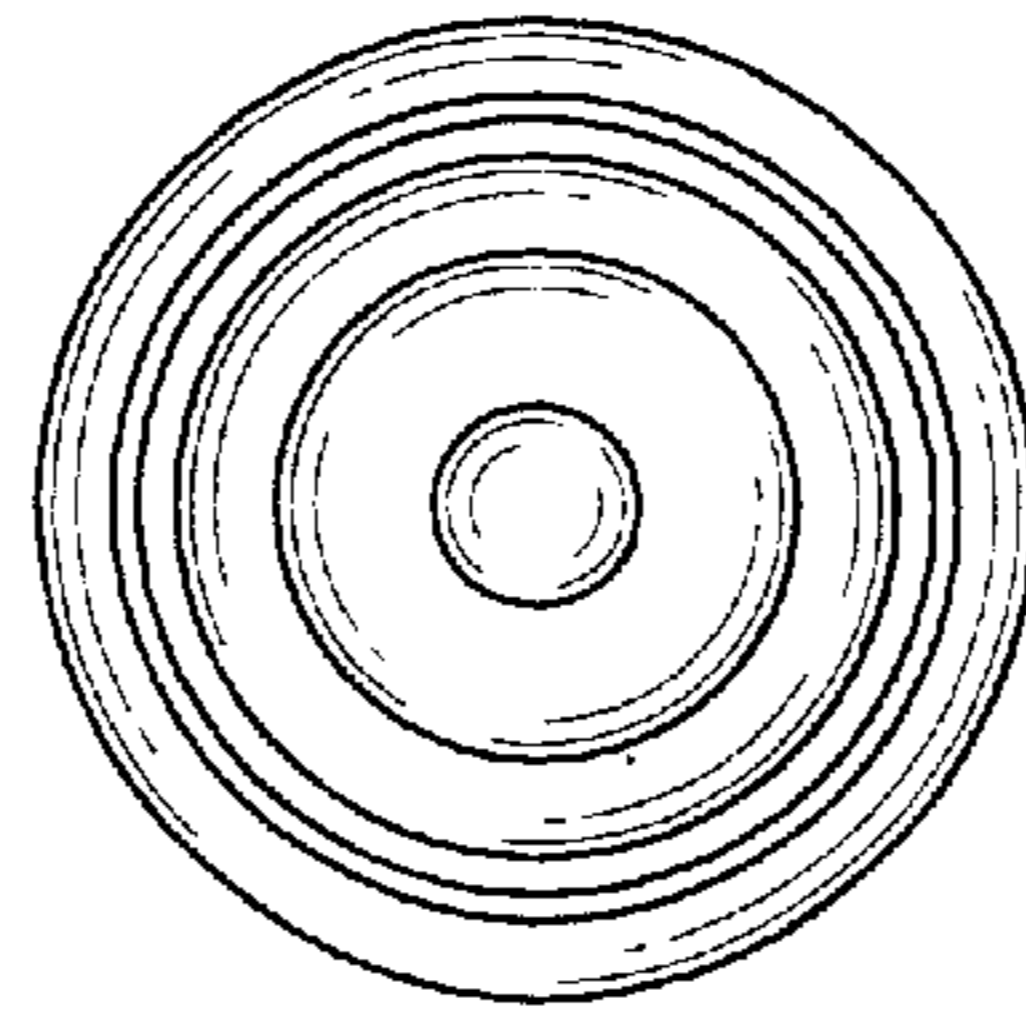


FIG. 6

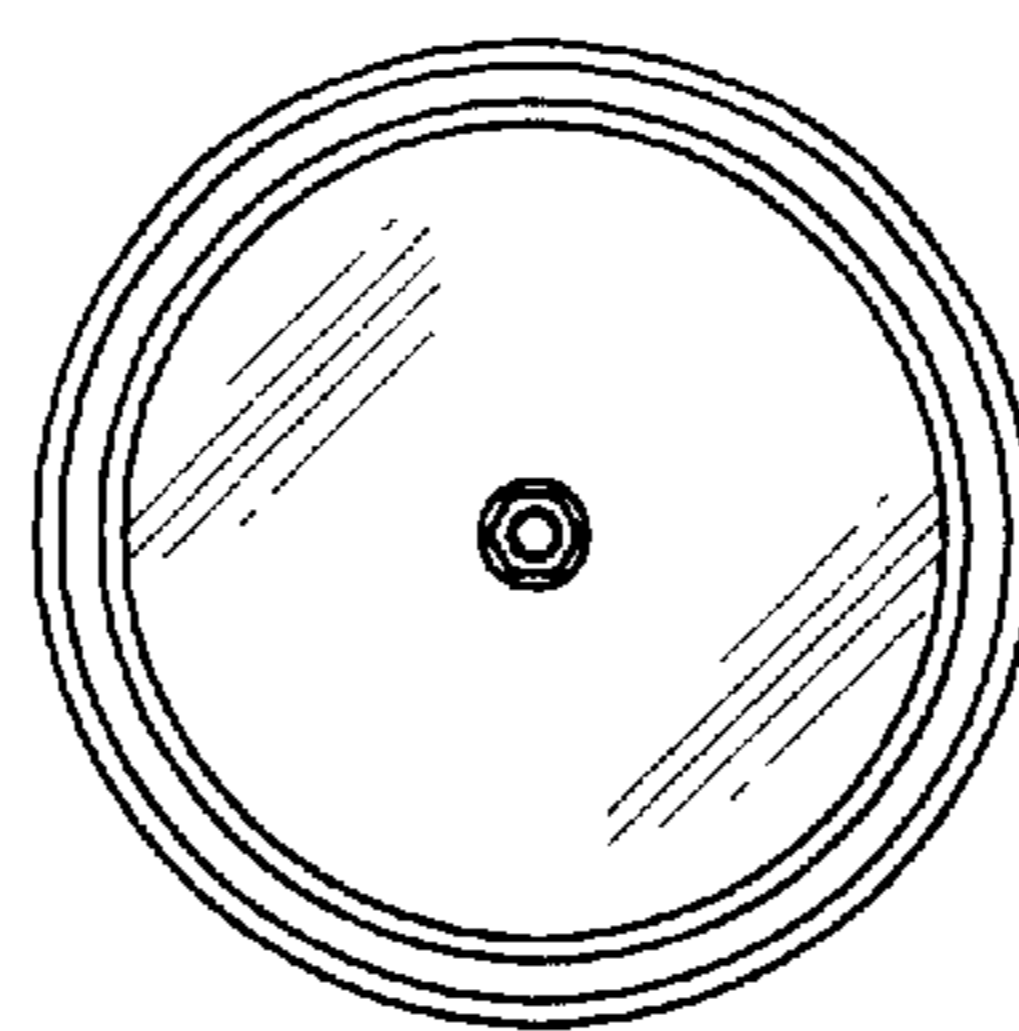


FIG. 7

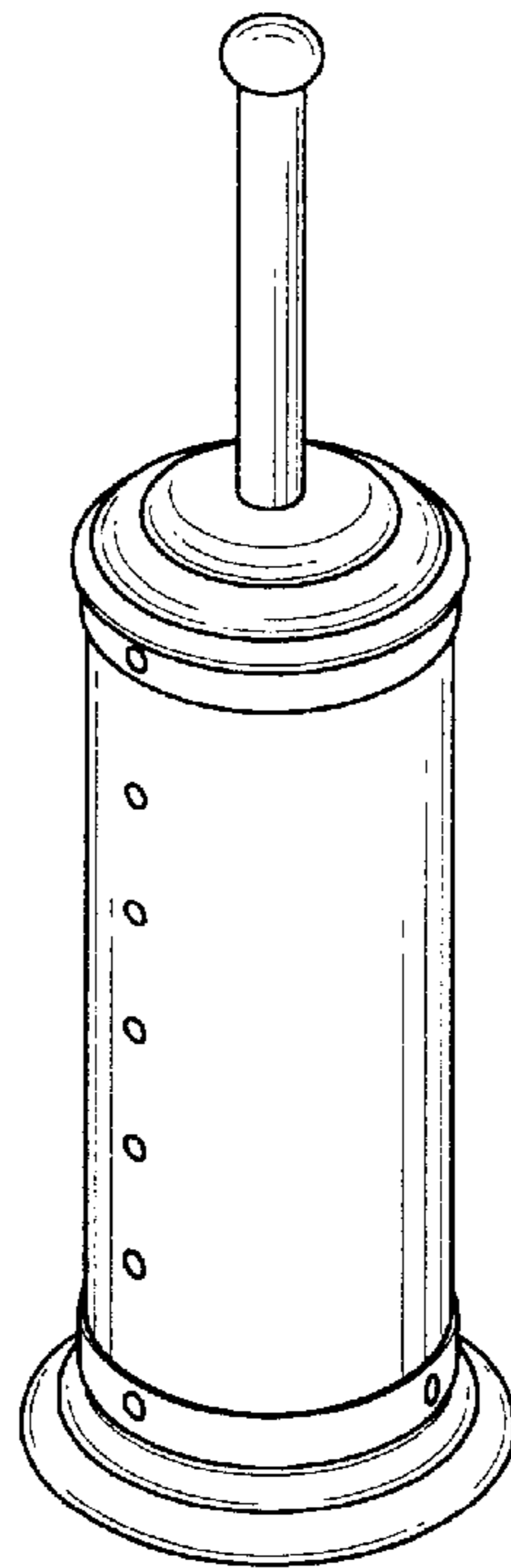


FIG. 8

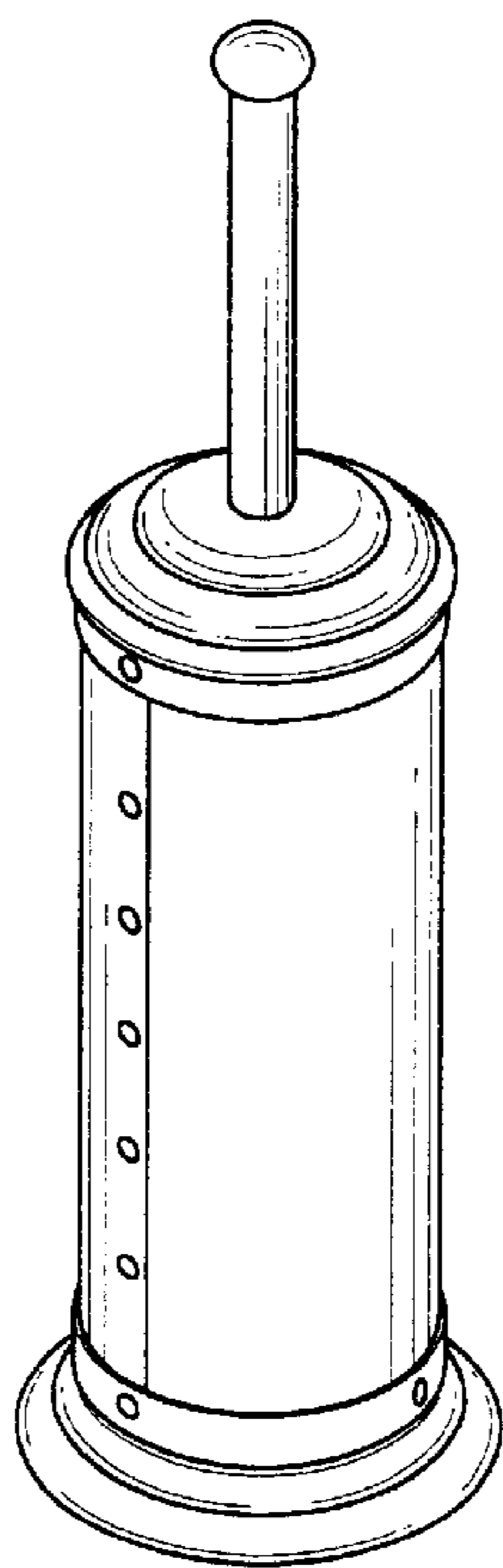


FIG. 9

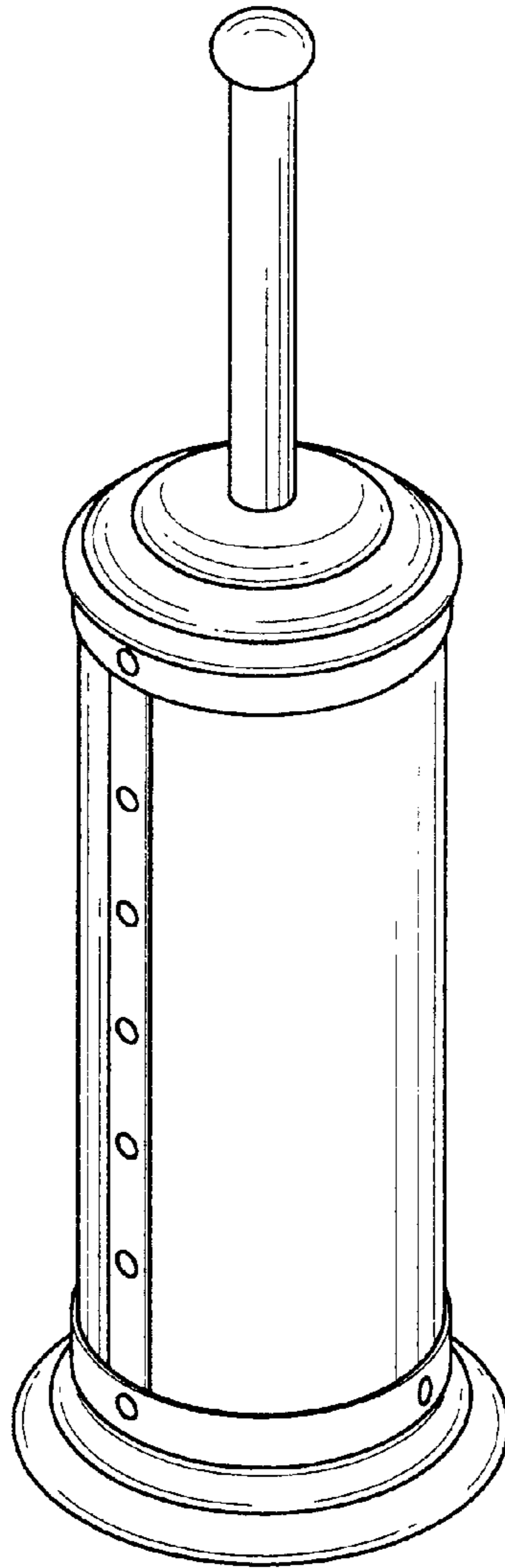


FIG. 10