



US00D511051S

(12) **United States Design Patent** (10) **Patent No.:** **US D511,051 S**
Quintal (45) **Date of Patent:** **** Nov. 1, 2005**

(54) **CHAIR**

(76) Inventor: **Alain Quintal**, 5715, Metropolitan Boulevard East, St-Léonard, Quebec, H1P 1X3 (CA)

(**) Term: **14 Years**

(21) Appl. No.: **29/208,022**

(22) Filed: **Jun. 24, 2004**

(30) **Foreign Application Priority Data**

Apr. 29, 2004 (CA) 106804

(51) **LOC (8) Cl.** **06-01**

(52) **U.S. Cl.** **D6/374; D6/379; D6/380**

(58) **Field of Search** D6/334, 370, 374, D6/369, 376, 379, 380, 499, 500-502; 297/411.42, 411.43, 445.1, 446.1

(56) **References Cited**

U.S. PATENT DOCUMENTS

D141,647 S	*	6/1945	Bannister	D6/369
D141,648 S	*	6/1945	Bannister	D6/374
D141,671 S	*	6/1945	Bannister	D6/379
D150,684 S	*	8/1948	Eames	D6/374
D338,348 S	*	8/1993	Zacky	D6/379
D404,584 S	*	1/1999	Weinberger	D6/374

* cited by examiner

Primary Examiner—Mimosa De
(74) *Attorney, Agent, or Firm*—Brouillette & Partners;
Robert Brouillette

(57) **CLAIM**

The ornamental design for a chair, as shown and described.

DESCRIPTION

FIG. 1 is a rear perspective view of a first embodiment of the chair;

FIG. 2 is a front perspective view of the chair without the back's openings;

FIG. 3 is a reduced rear view of the chair, without the back's openings;

FIG. 4 is a reduced side view of the chair;

FIG. 5 is a reduced back view of the chair;

FIG. 6 is a reduced top view of the chair;

FIG. 7 is a rear perspective view of a second embodiment of the chair shown in FIG. 1;

FIG. 8 is a front perspective view of FIG. 7, without the back's openings;

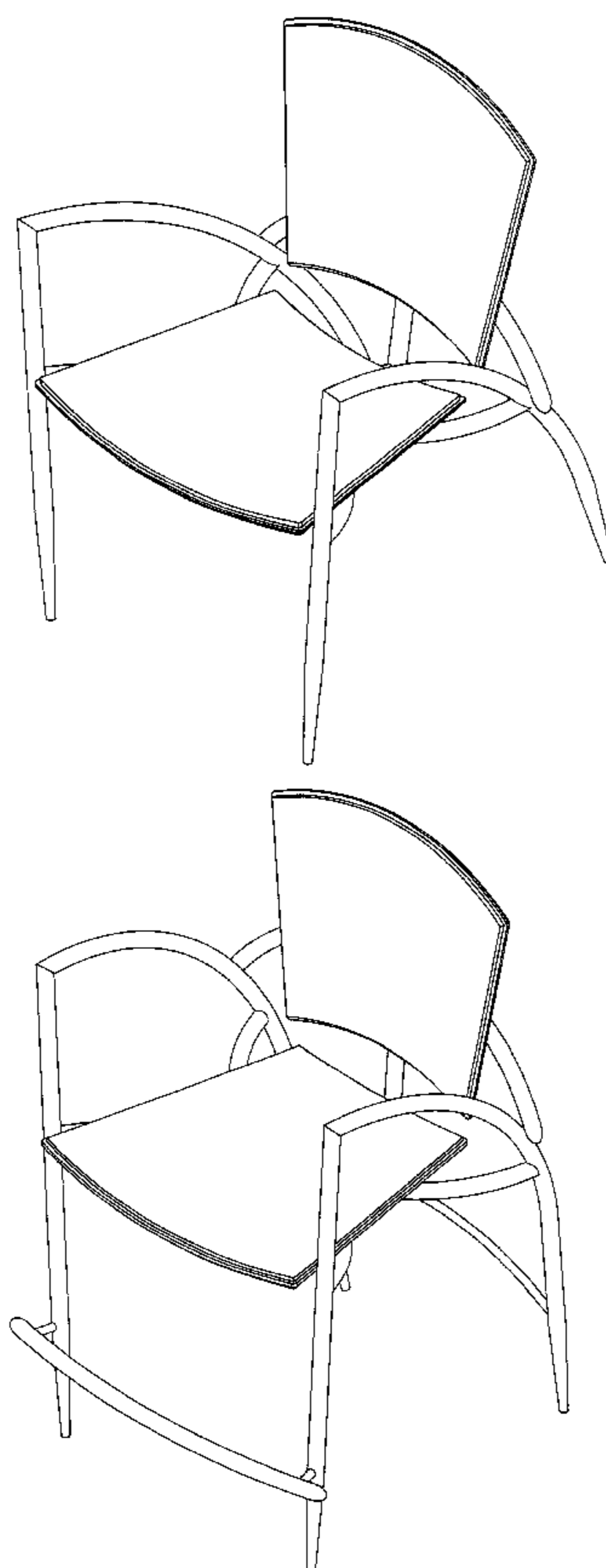
FIG. 9 is a reduced rear view of FIG. 7, without the back's openings;

FIG. 10 is a reduced side view of FIG. 7;

FIG. 11 is a reduced back view of FIG. 7; and,

FIG. 12 is a reduced top view of FIG. 7.

1 Claim, 12 Drawing Sheets



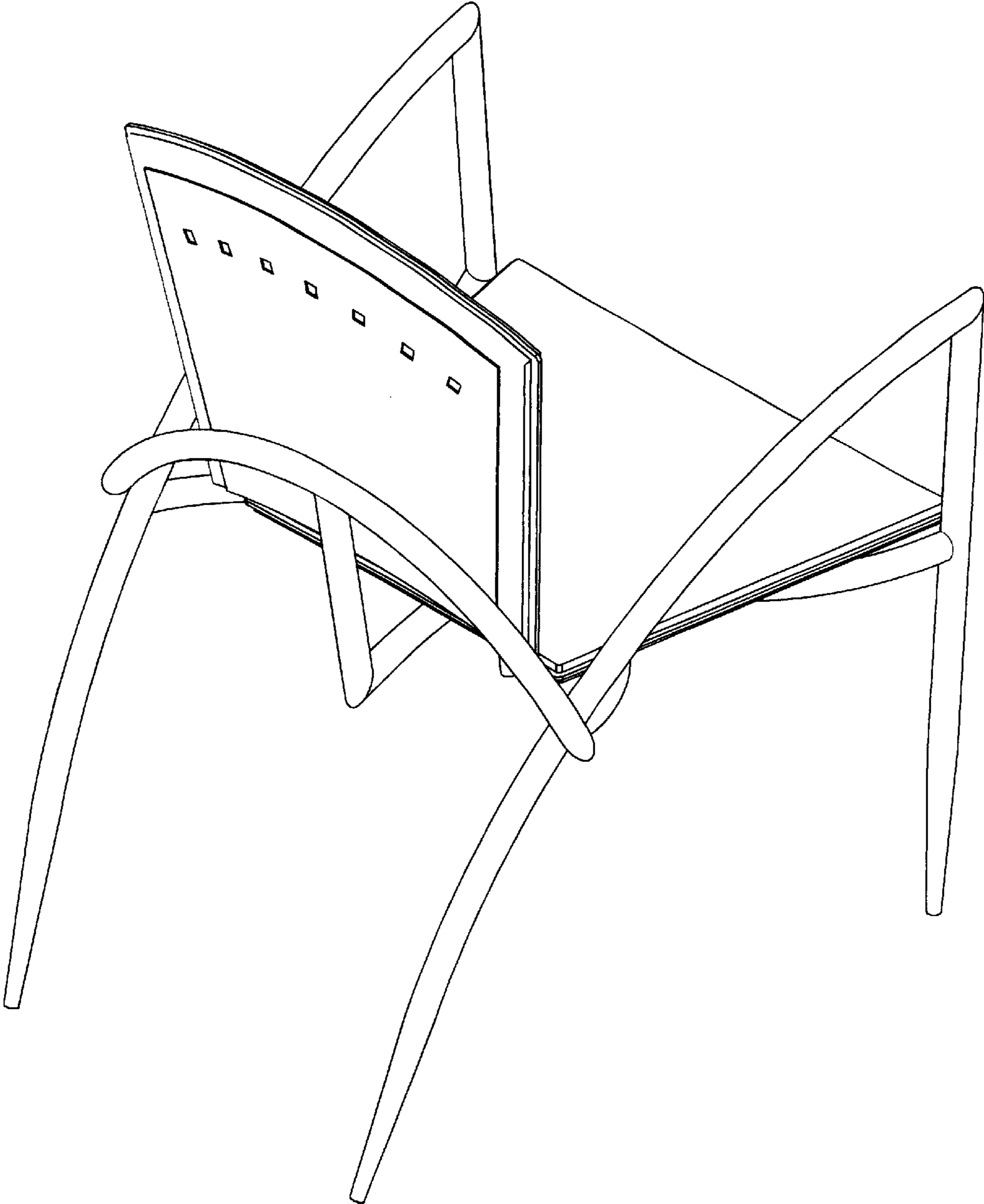


FIGURE 1

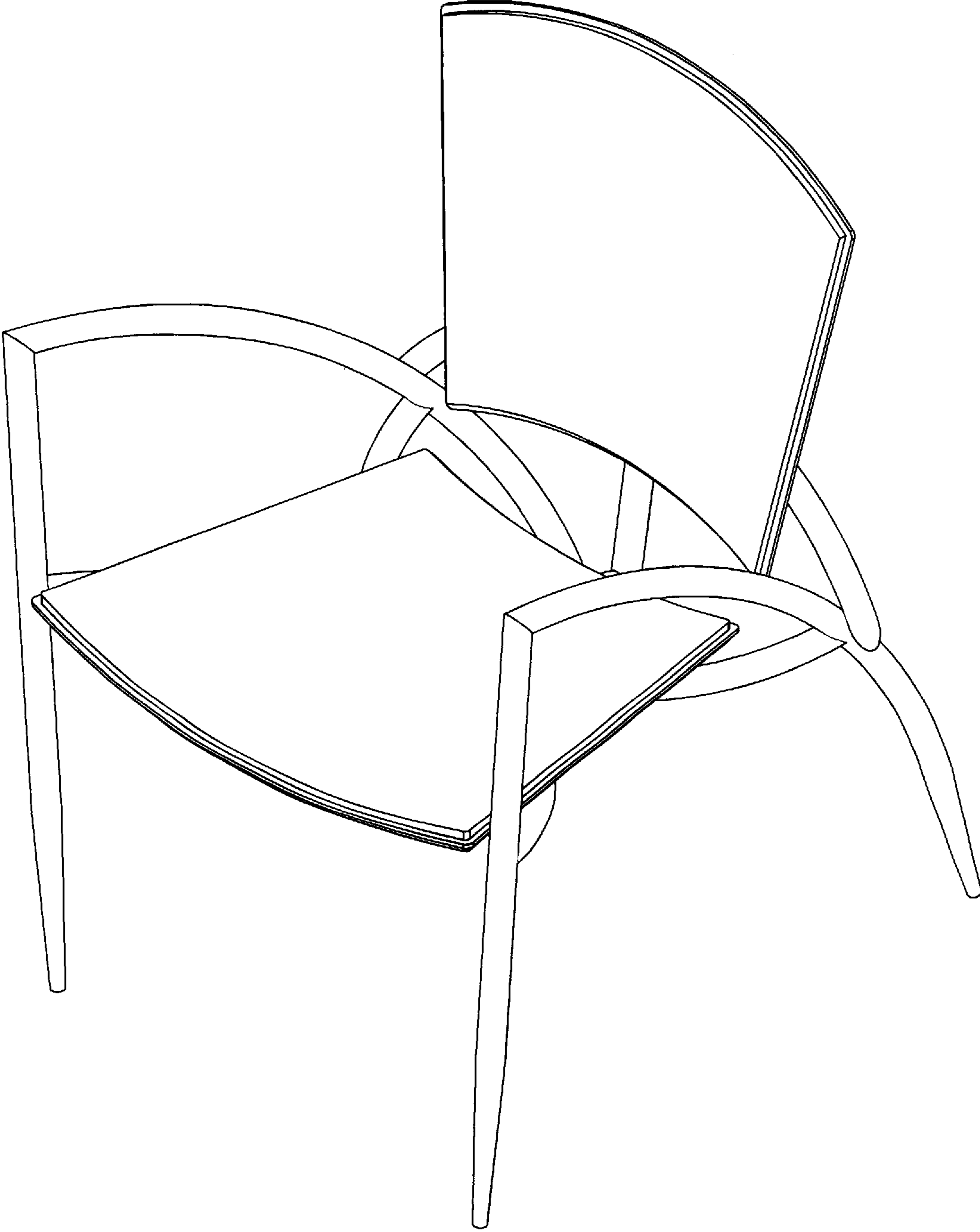


FIGURE 2

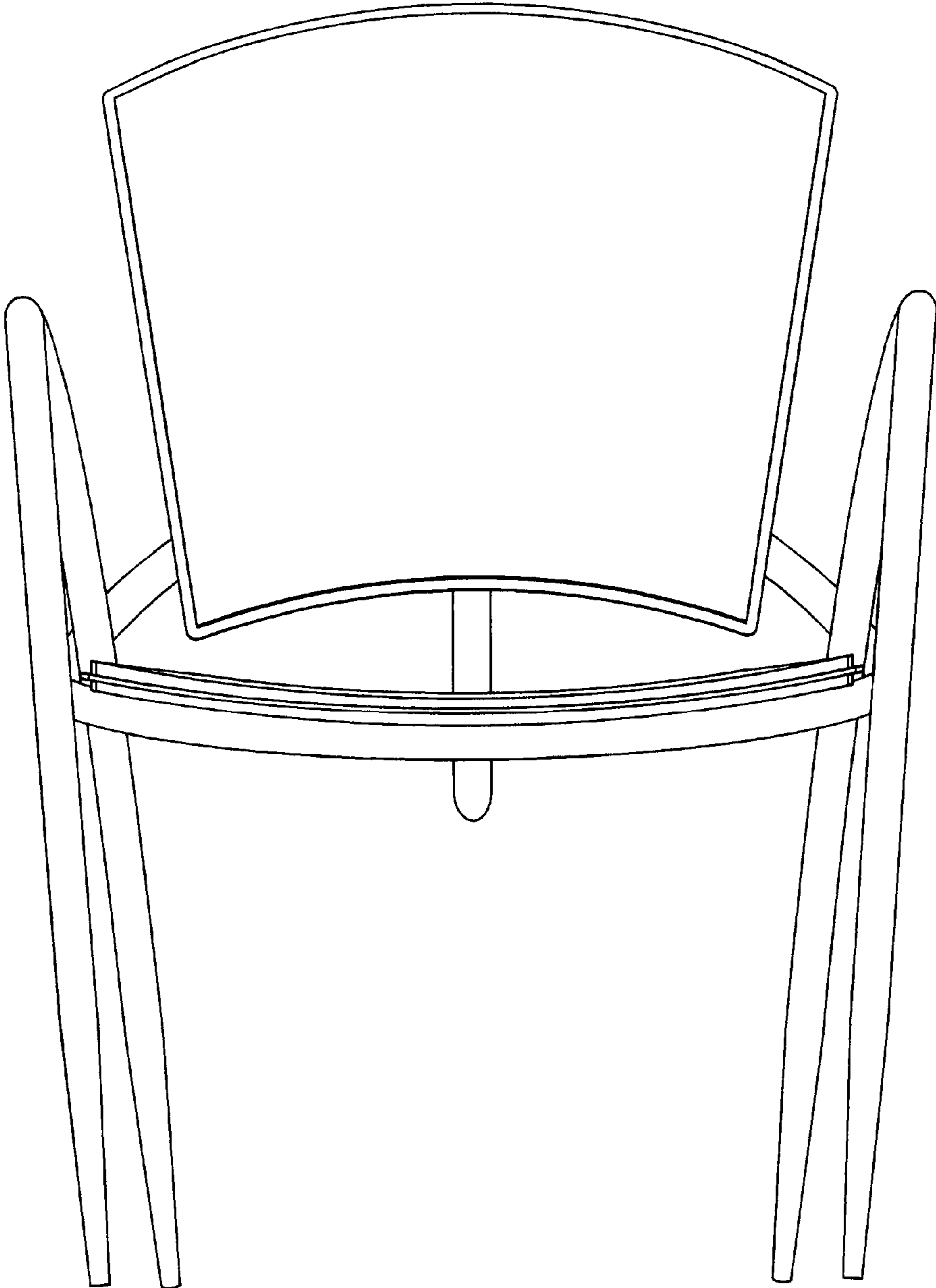


FIGURE 3

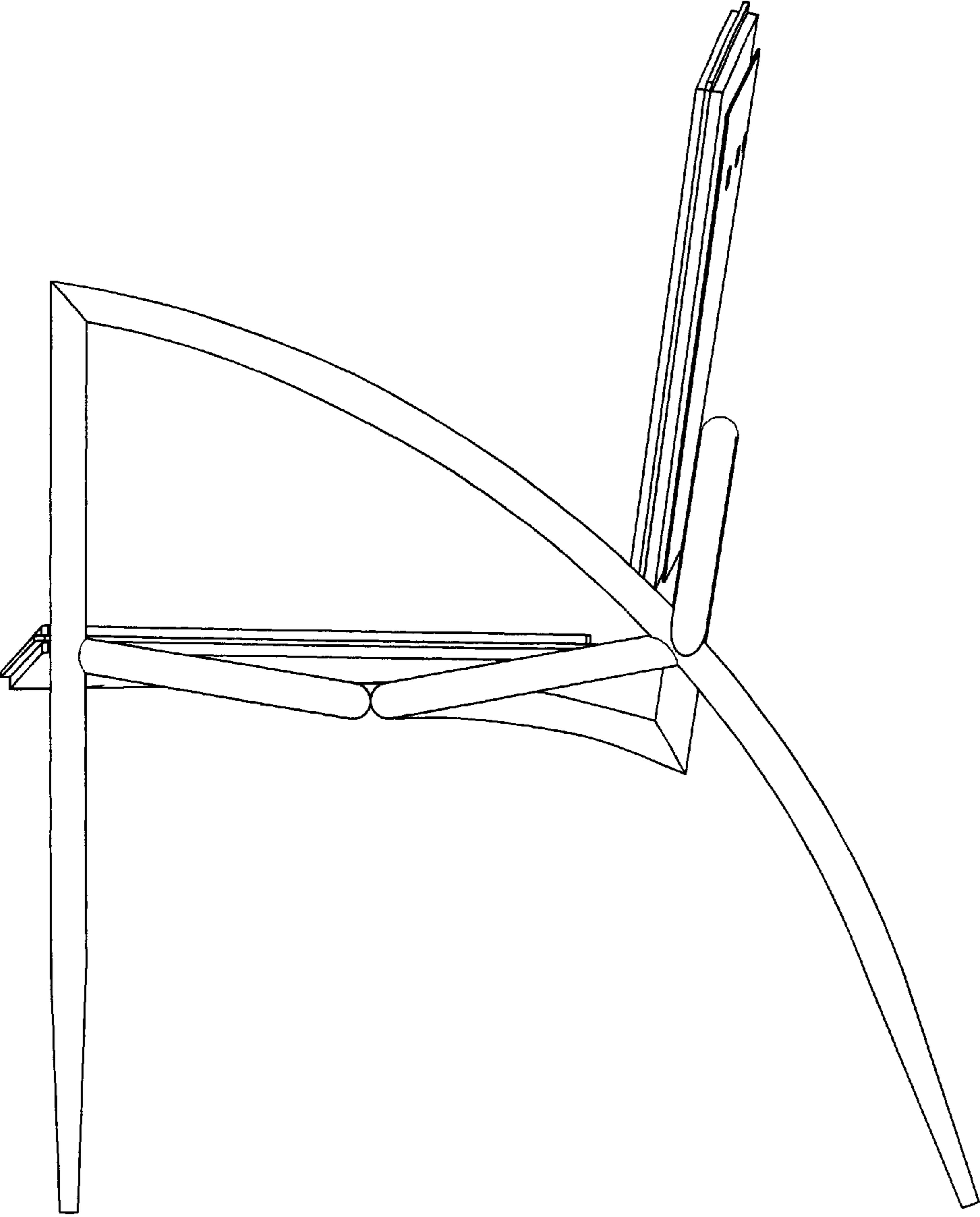


FIGURE 4

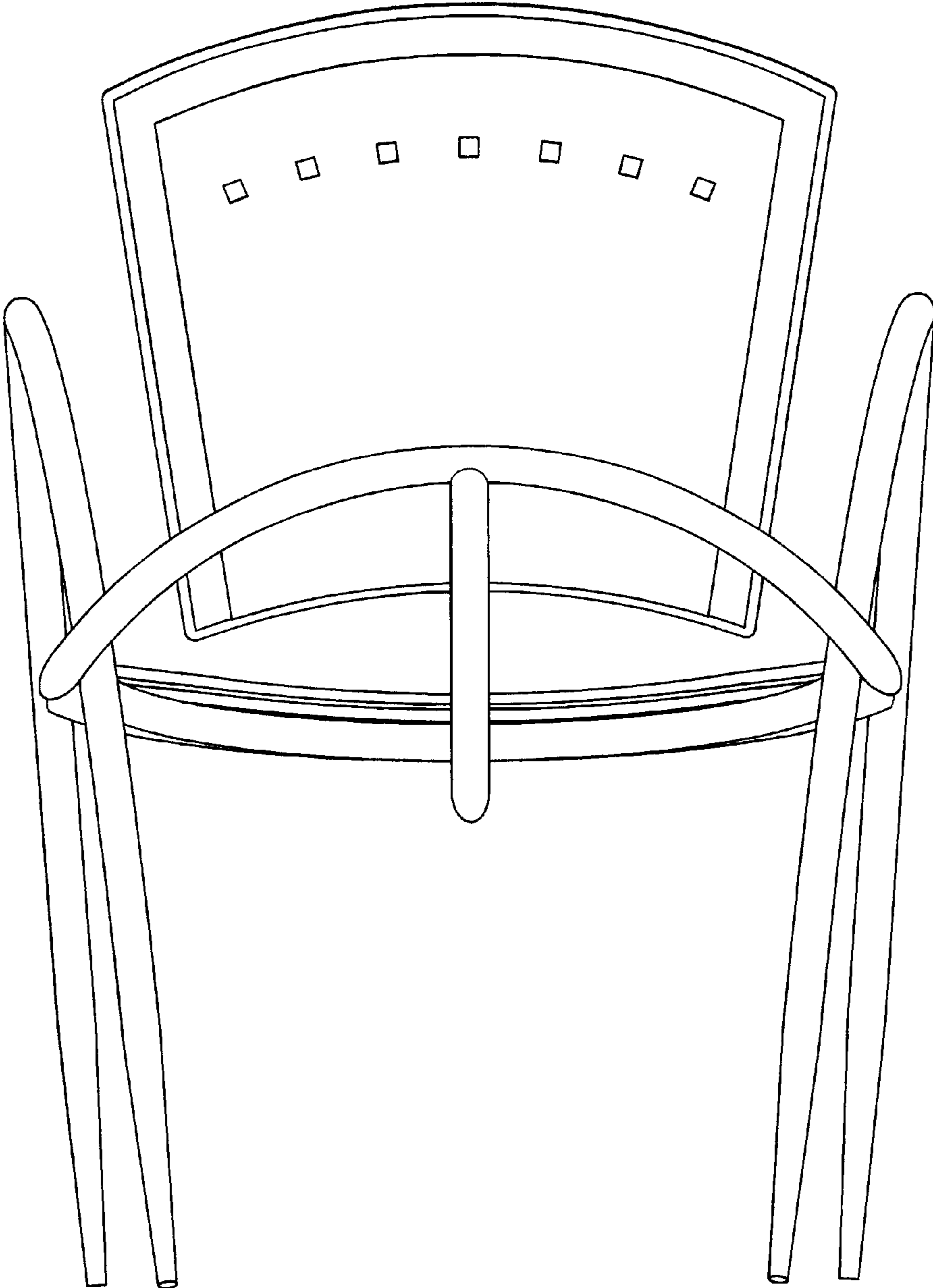


FIGURE 5

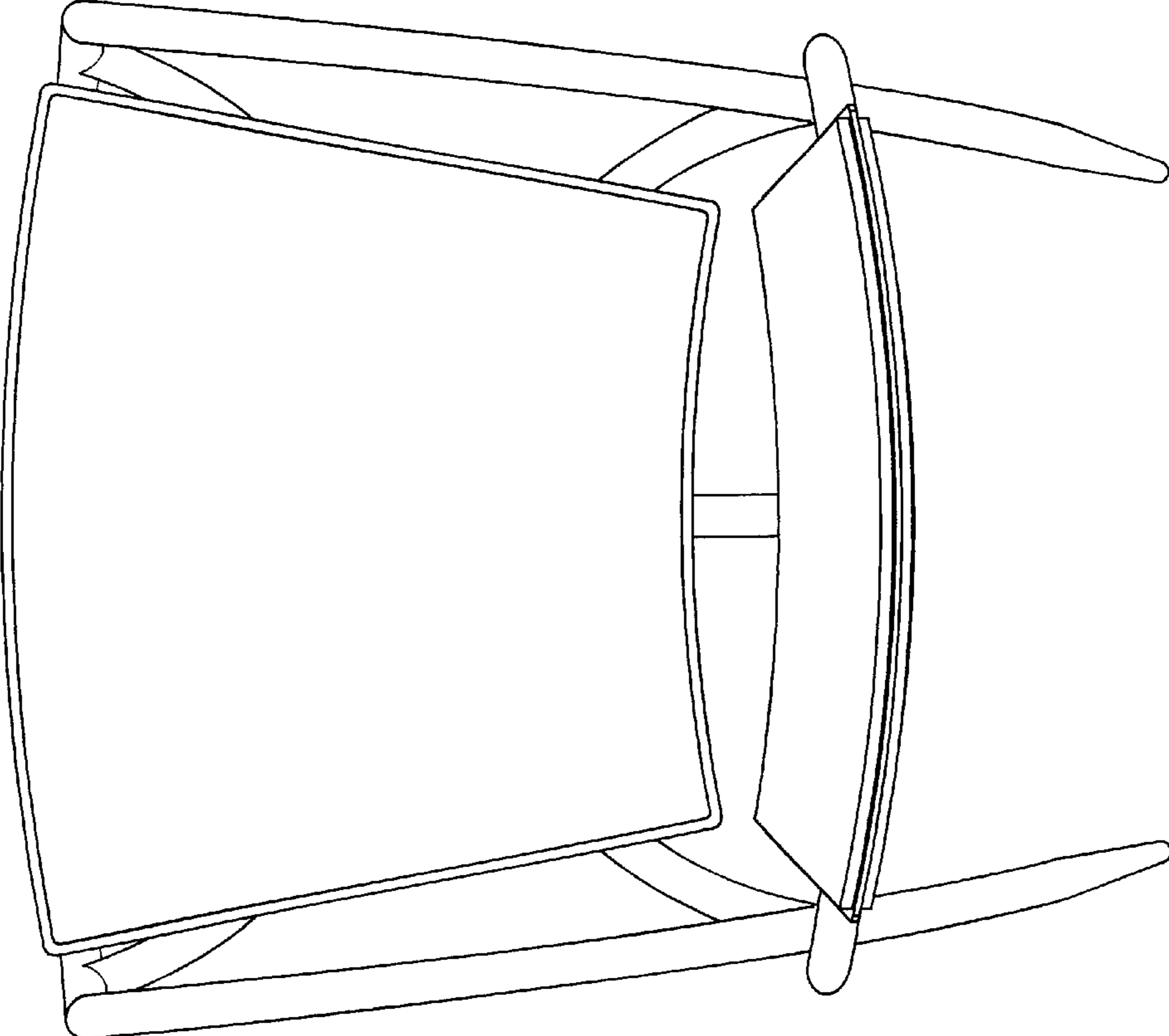


FIGURE 6

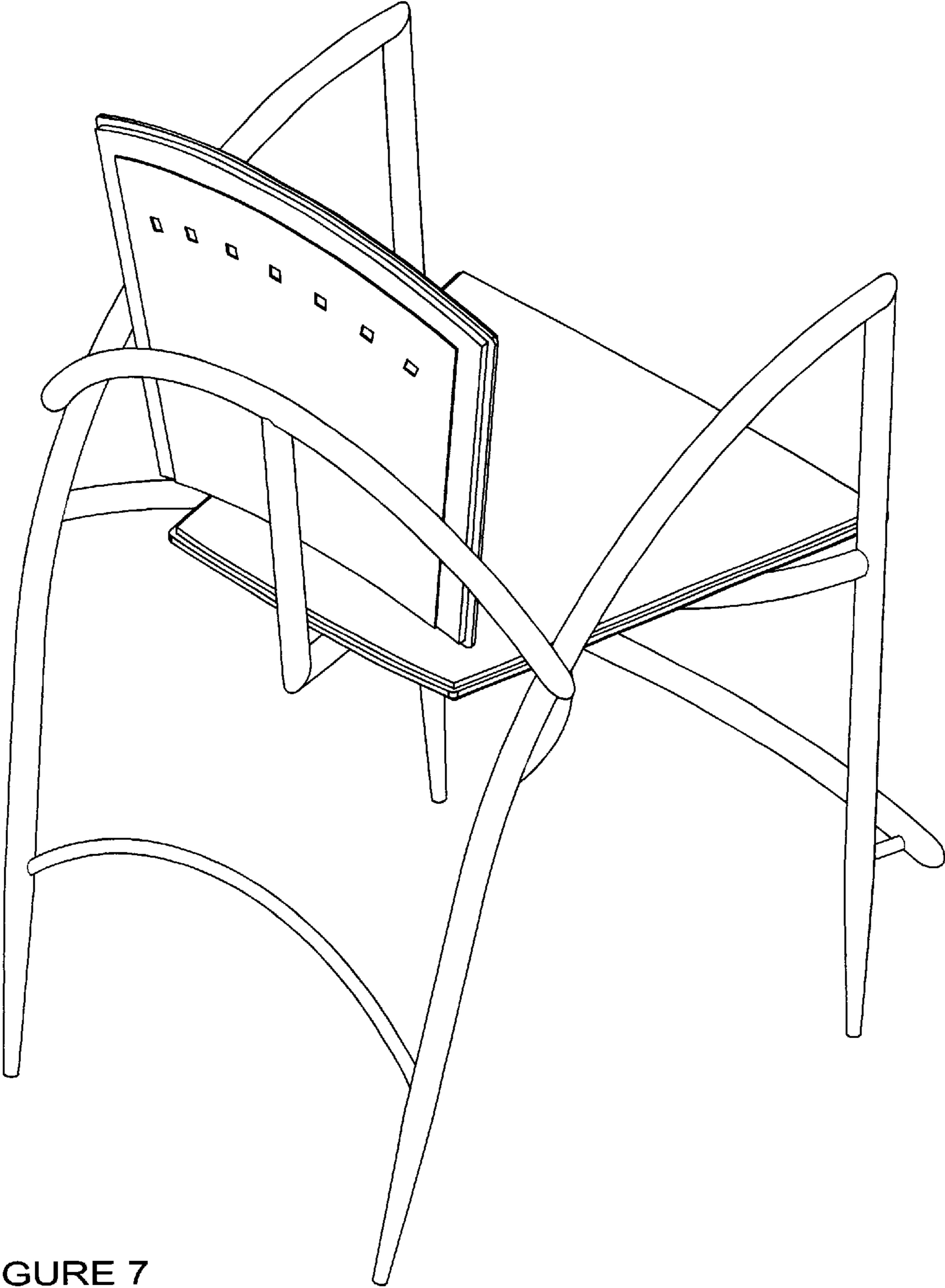


FIGURE 7

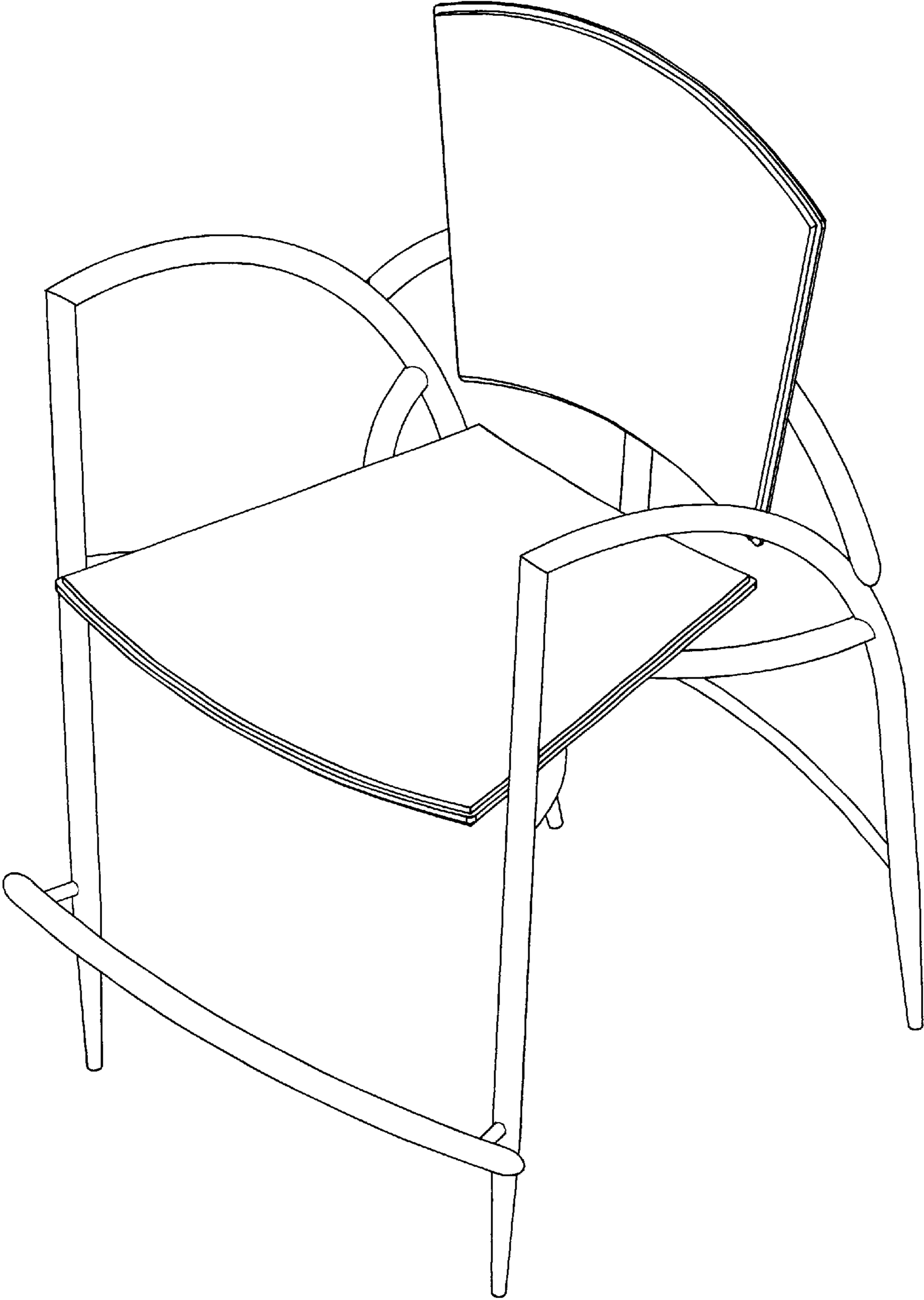


FIGURE 8

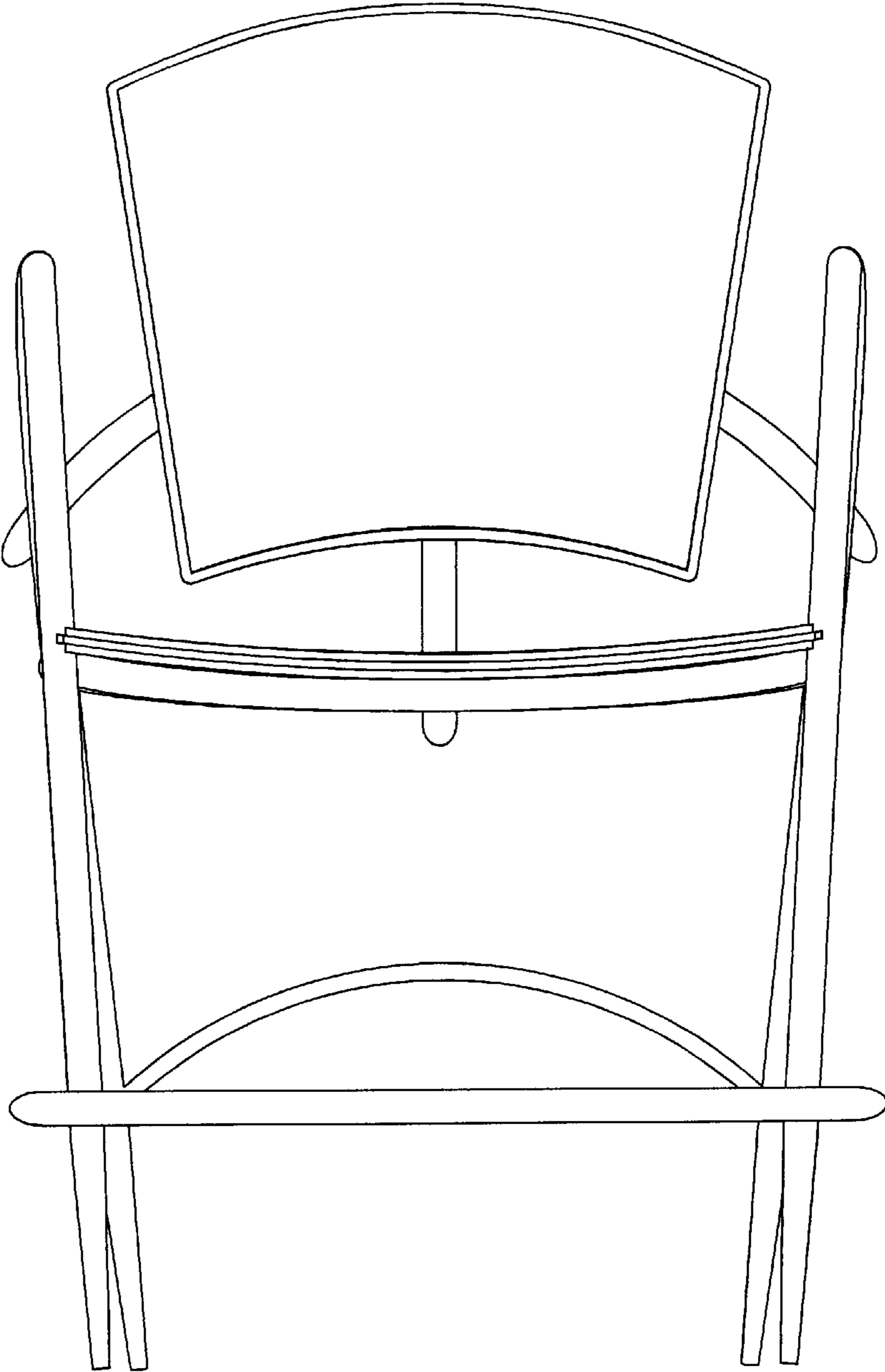


FIGURE 9

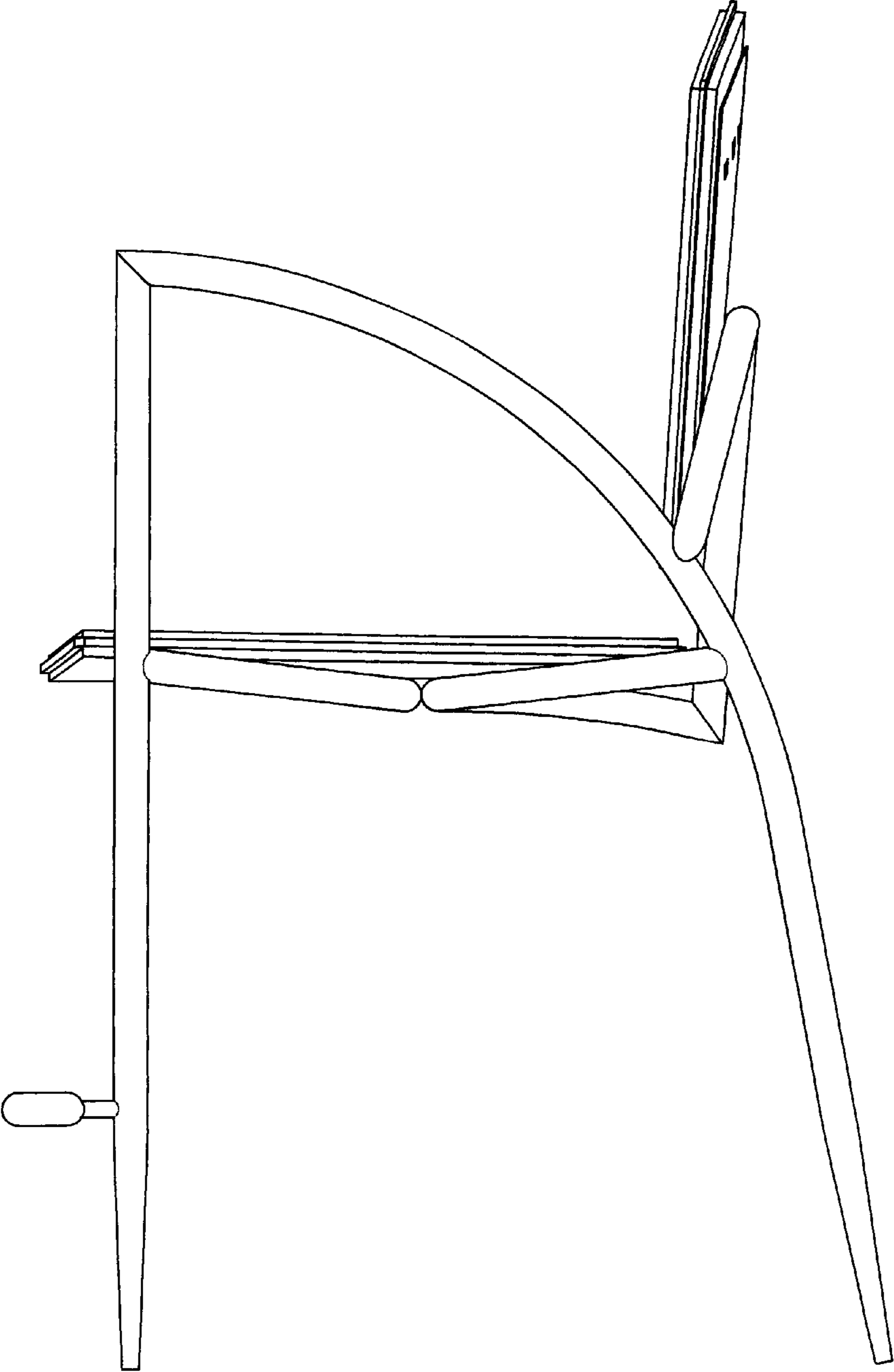


FIGURE 10

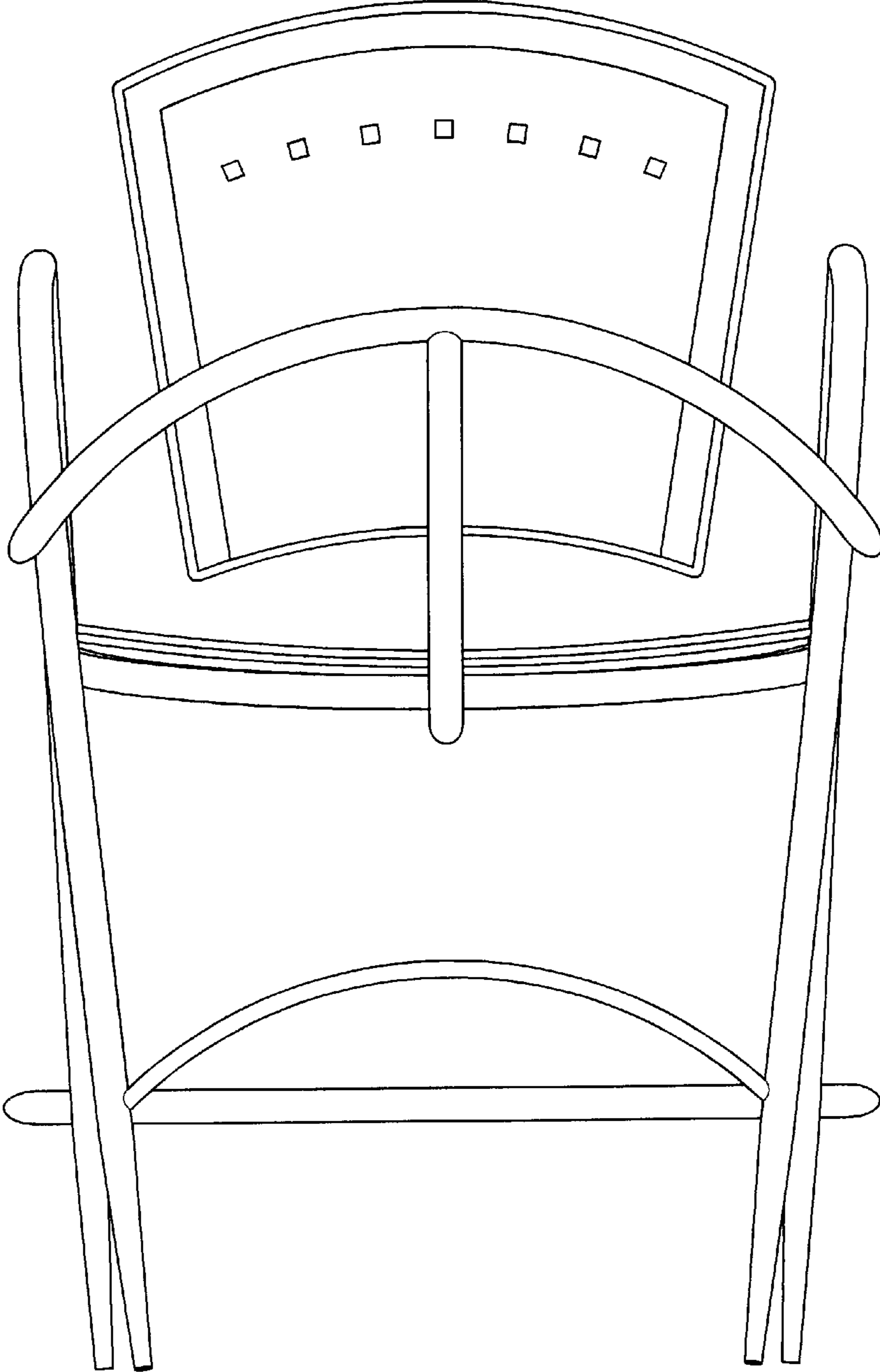


FIGURE 11

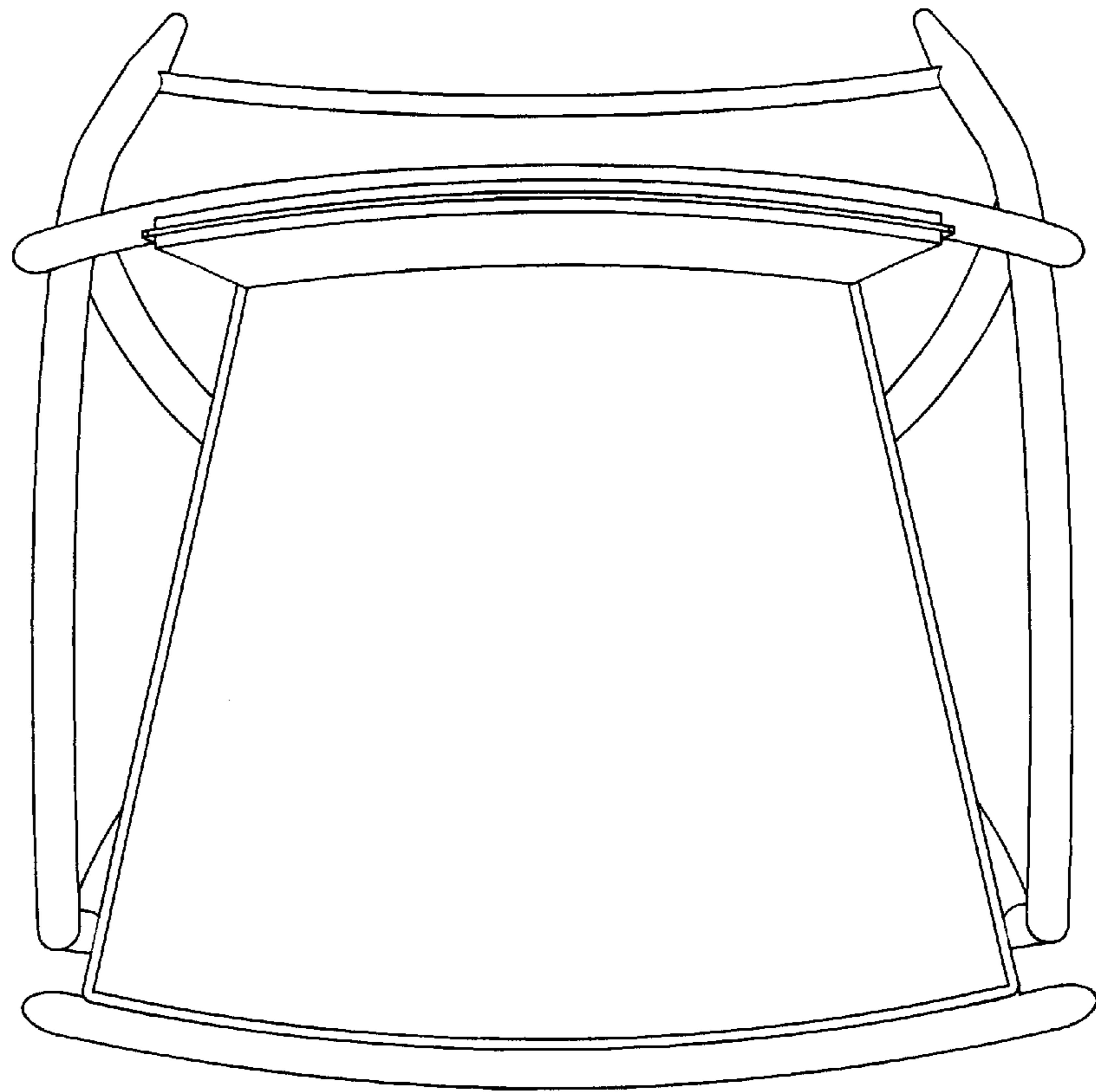


FIGURE 12