



US00D511046S

(12) **United States Design Patent**  
**Berti**

(10) **Patent No.:** **US D511,046 S**  
(45) **Date of Patent:** **\*\* Nov. 1, 2005**

(54) **PUSH BROOM**

(75) Inventor: **Enzo Berti**, Venice (IT)

(73) Assignee: **The Libman Company**, Arcola, IL (US)

(\*\*) Term: **14 Years**

(21) Appl. No.: **29/219,265**

(22) Filed: **Dec. 14, 2004**

(51) **LOC (8) Cl.** ..... **04-99**

(52) **U.S. Cl.** ..... **D4/199; D32/50**

(58) **Field of Search** ..... D4/130, 132, 135, D4/138, 199; D52/50, 51; 15/146, 159.1, 160, 171, 175, 176.1, 176.2, 191.1, 192, 193

(56) **References Cited**

**U.S. PATENT DOCUMENTS**

- D143,537 S \* 1/1946 Le Febvre ..... D4/132
- 2,561,025 A \* 7/1951 Le Febvre
- 3,108,306 A \* 10/1963 McWilliams ..... 15/171
- D348,357 S \* 7/1994 Libman ..... D4/199
- D415,616 S \* 10/1999 Camp et al. .... D4/199

**OTHER PUBLICATIONS**

The Milwaukee Brush Manufacturing Co., Catalog No. 36-R-7, Floor Sweeping Brush, top, left of p. 28.\*

\* cited by examiner

*Primary Examiner*—Alan P. Douglas  
*Assistant Examiner*—Lavone D. Tabor  
(74) *Attorney, Agent, or Firm*—Banner & Witcoff, Ltd.

(57) **CLAIM**

The ornamental design for a push broom, as shown and described.

**DESCRIPTION**

FIG. 1 is a perspective view of a push broom showing my new design;

FIG. 2 is an enlarged front view thereof, the rear being a mirror image thereof;

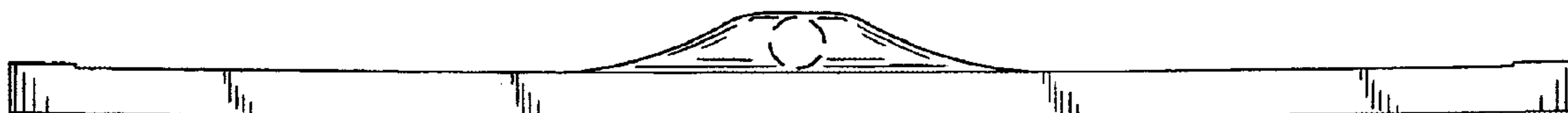
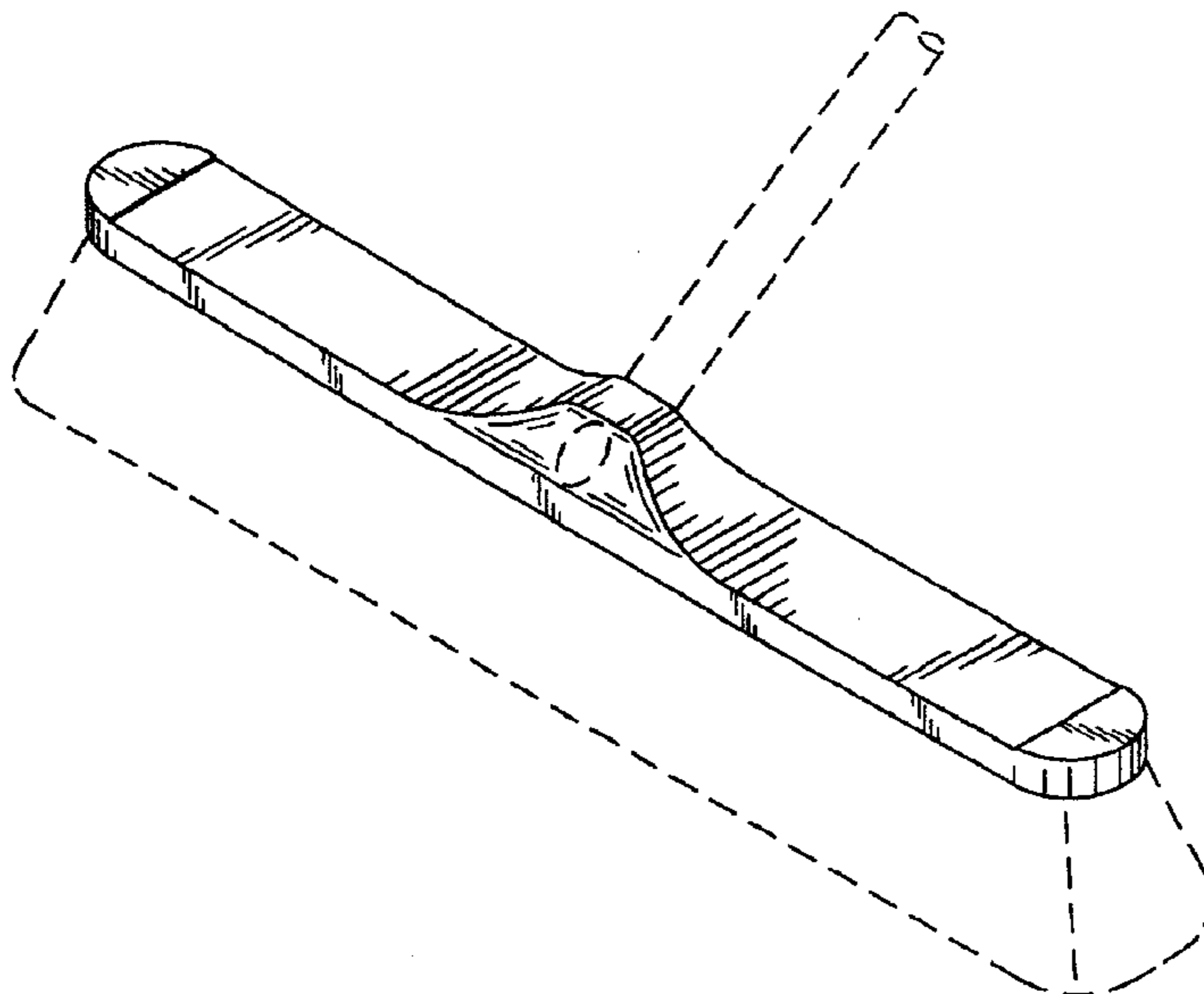
FIG. 3 is an enlarged top view thereof;

FIG. 4 is an enlarged bottom view thereof; and,

FIG. 5 is an enlarged right side view thereof, the left side being a mirror image thereof.

The broken line showing in FIGS. 1-4 of the portion of the mop handle, the holes for receiving the handle, the bristles, and the bottom face of the push broom are for illustrative purposes only and form no part of the claimed design.

**1 Claim, 2 Drawing Sheets**



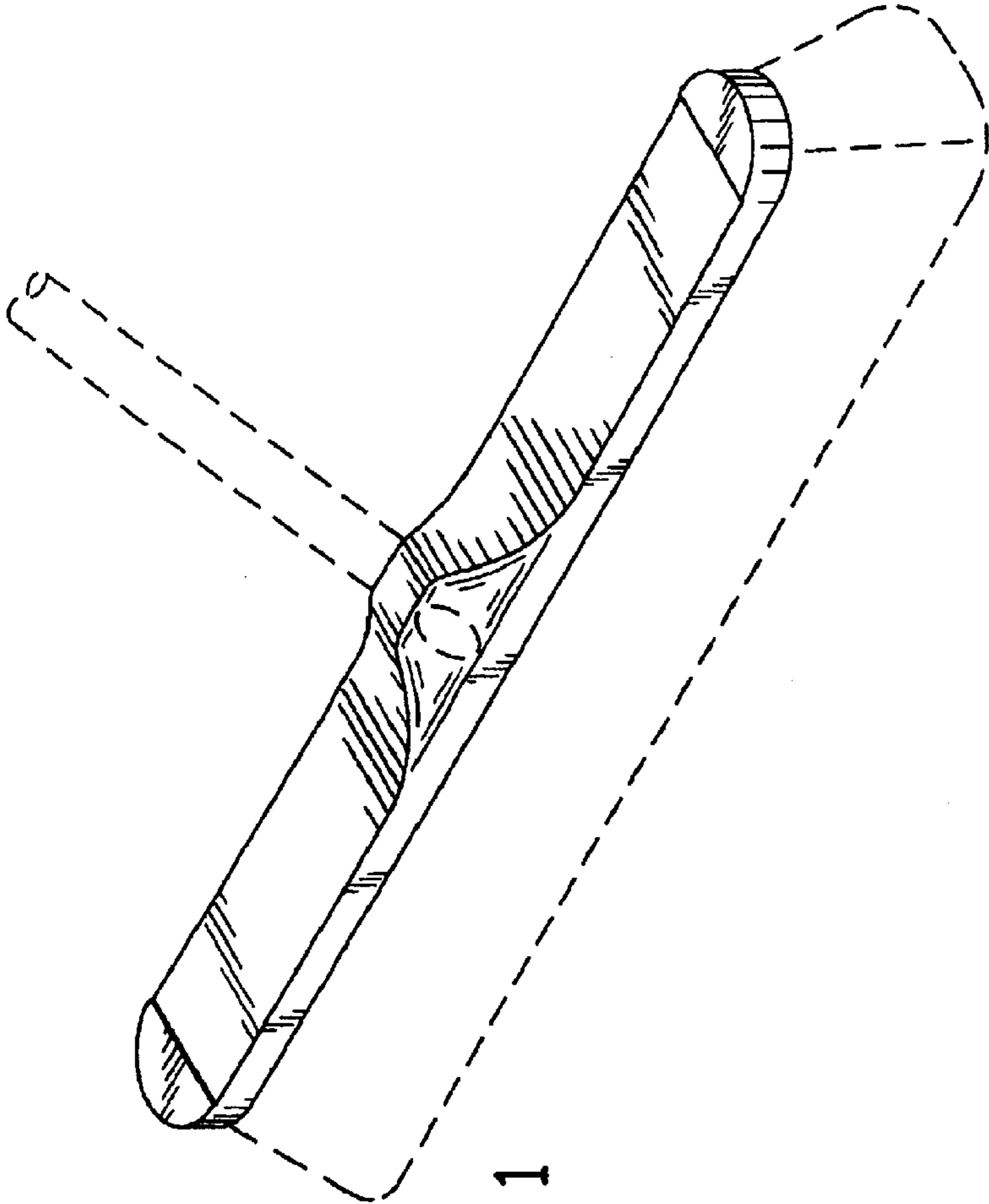


FIG. 1



FIG. 2

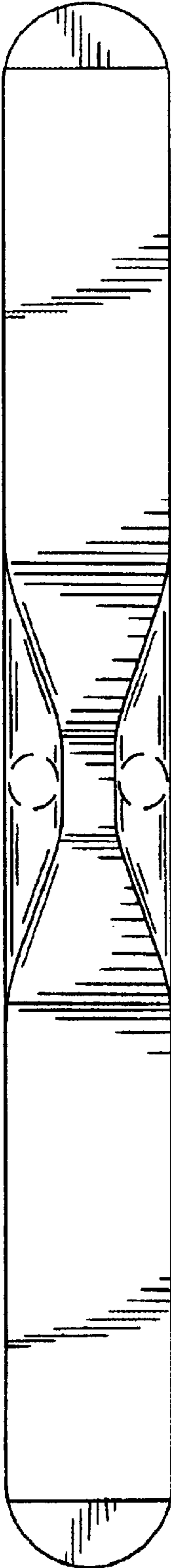


FIG. 3

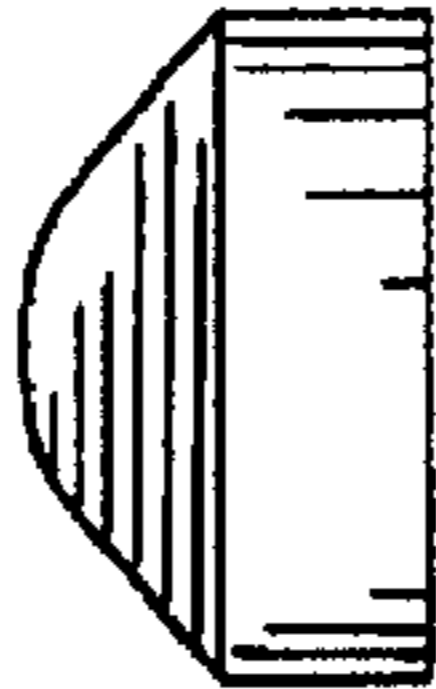


FIG. 5

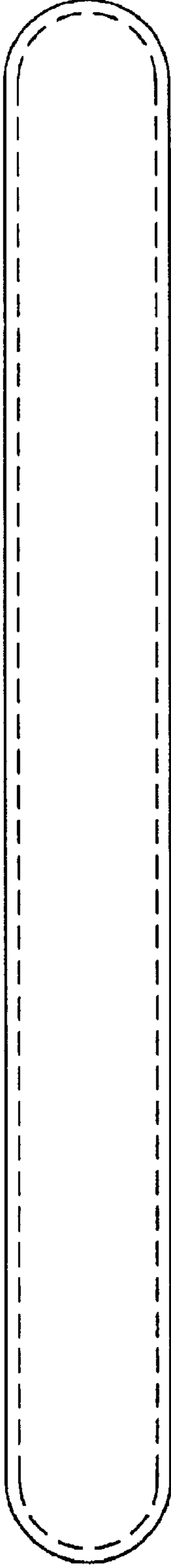


FIG. 4