



US00D511040S

(12) **United States Design Patent**  
**Barrios et al.**

(10) **Patent No.: US D511,040 S**  
(45) **Date of Patent: \*\* Nov. 1, 2005**

(54) **TOOL CASE**

(75) Inventors: **Antonio Jose Barrios, Waterloo (CA); Satnam Singh, Waterloo (CA); Kailash C. Vasudeva, Waterloo (CA)**

(73) Assignee: **Martech Manufacturing Inc., Waterloo (CA)**

(\*\*) Term: **14 Years**

(21) Appl. No.: **29/186,204**

(22) Filed: **Jul. 14, 2003**

(30) **Foreign Application Priority Data**

Apr. 2, 2003 (CA) ..... 102655

(51) **LOC (8) Cl. .... 03-01**

(52) **U.S. Cl. .... D3/282**

(58) **Field of Search** ..... D3/273, 276, 281,  
D3/282, 283, 294, 295, 291, 905; 206/349,  
372, 373, 378; 312/903; 190/110, 111

(56) **References Cited**

**U.S. PATENT DOCUMENTS**

D315,057 S	*	3/1991	Bridges	.....	D3/295
D343,731 S	*	2/1994	Tsumita	.....	D3/282
D358,257 S	*	5/1995	Sidabras et al.	.....	D3/282
D367,557 S	*	3/1996	Chang	.....	D3/276
D382,115 S	*	8/1997	Chang		
6,105,767 A	*	8/2000	Vasudeva	.....	206/372
D434,561 S	*	12/2000	Vasudeva	.....	D3/282
6,283,291 B1	*	9/2001	Vasudeva et al.	.....	206/373
D468,531 S	*	1/2003	Hsu	.....	D3/282

\* cited by examiner

*Primary Examiner*—Philip S. Hyder

(74) *Attorney, Agent, or Firm*—Borden Ladner Gervais LLP; Jeffery W. Wong

(57) **CLAIM**

We claim the ornamental design for a tool case, as shown and described.

**DESCRIPTION**

FIG. 1 is a front perspective view of a first embodiment of the tool case;

FIG. 2 is a rear perspective view of the first embodiment;

FIG. 3 is a top view of the first embodiment;

FIG. 4 is a left side view of the first embodiment;

FIG. 5 is a front view of the first embodiment;

FIG. 6 is a rear view of the first embodiment;

FIG. 7 is a left side view of the first embodiment;

FIG. 8 is a bottom view of the first embodiment;

FIG. 9 is a front perspective view of the first embodiment, with the case open;

FIG. 10 is a perspective view of the underside of the first embodiment, with the case open;

FIG. 11 is a perspective view of the front of a second embodiment of the tool case;

FIG. 12 is a bottom perspective view of the rear of the second embodiment;

FIG. 13 is a top view of the second embodiment;

FIG. 14 is a right hand side view of the second embodiment;

FIG. 15 is a front view of the second embodiment;

FIG. 16 is a rear view of the second embodiment;

FIG. 17 is a left hand side view of the second embodiment;

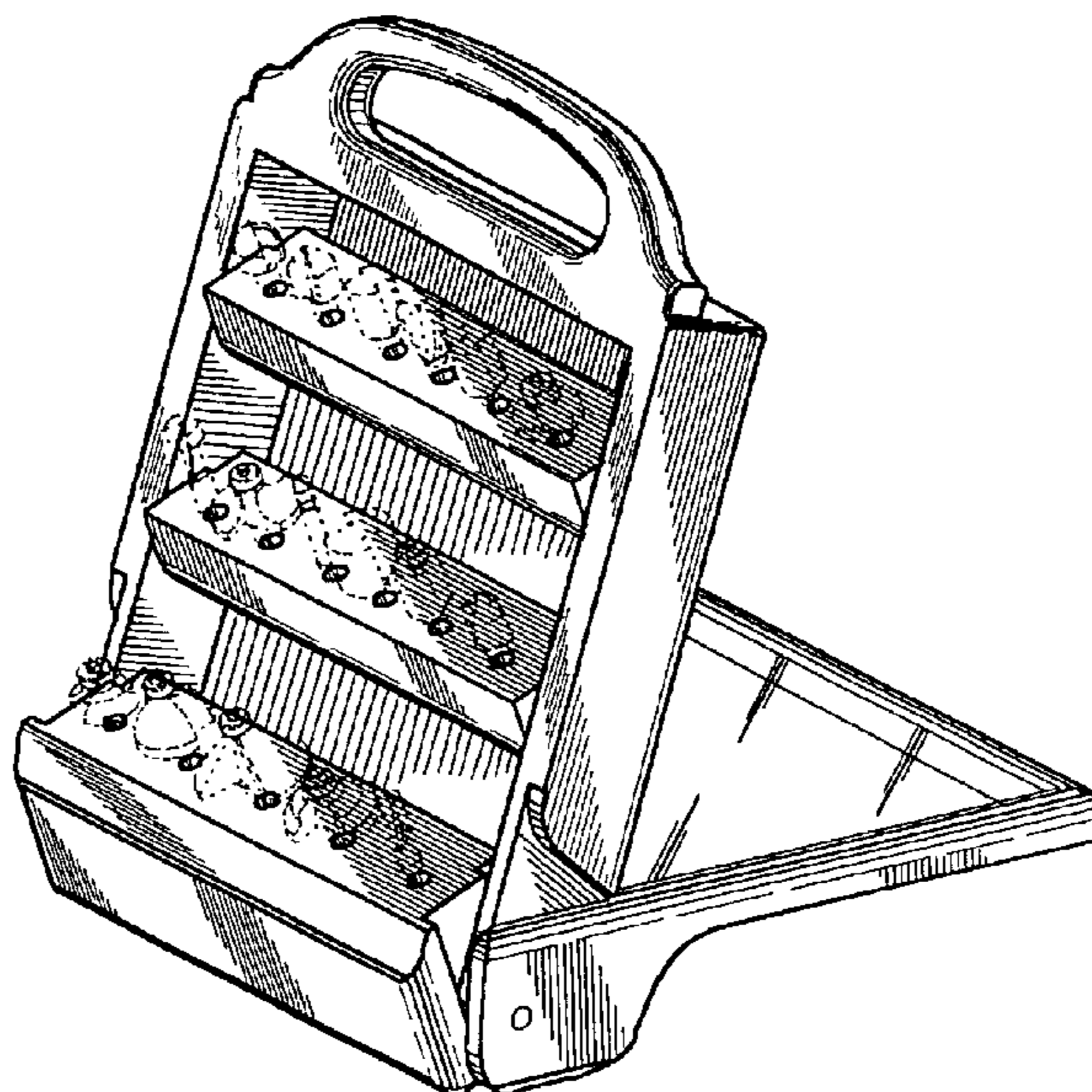
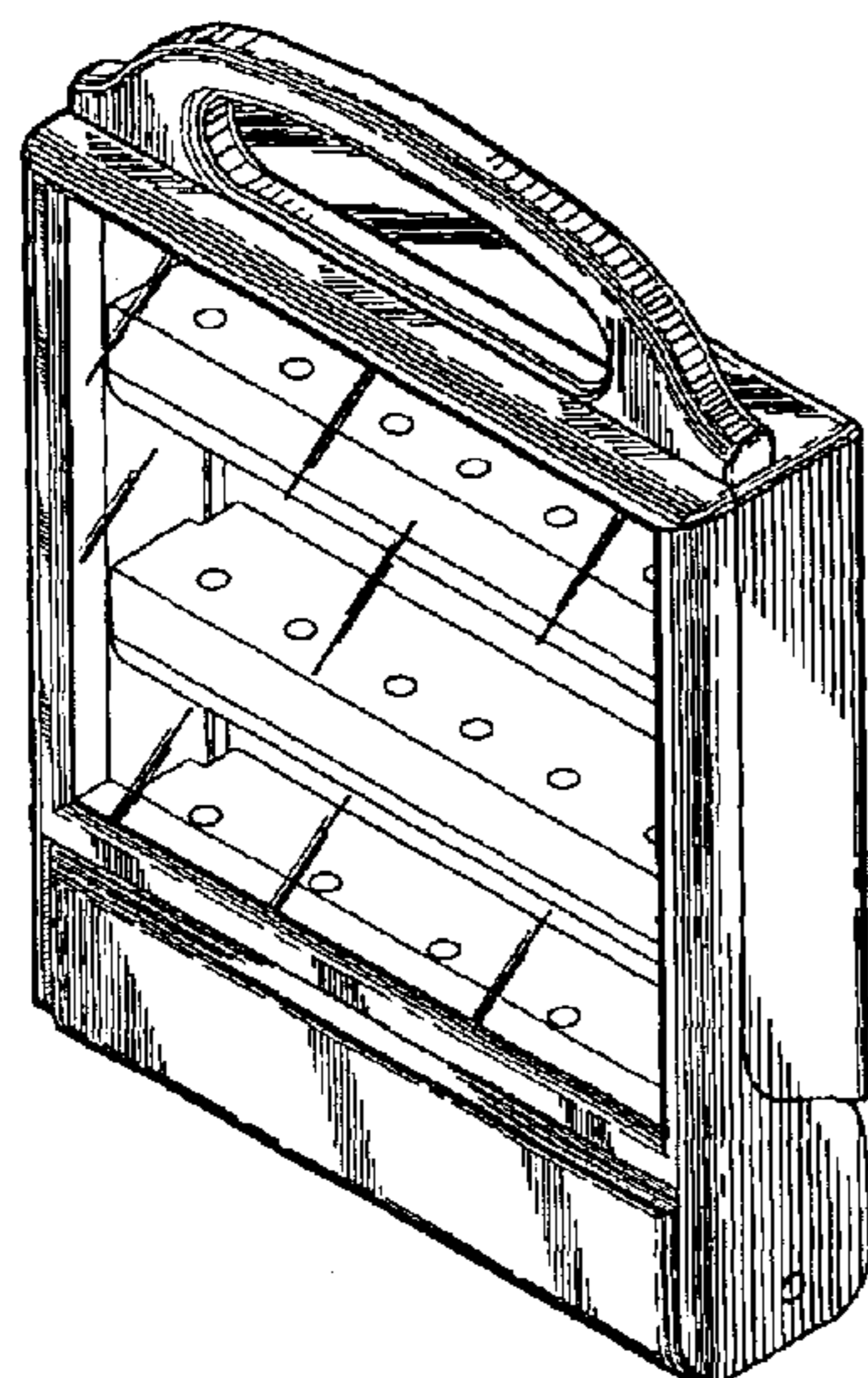
FIG. 18 is a bottom view of the second embodiment;

FIG. 19 is a perspective view of the front of the second embodiment, with the case open; and,

FIG. 20 is a right hand side view of the second embodiment, with the case open.

The design consists of the visual features of the entirety of the tool case as shown in the drawings.

**1 Claim, 8 Drawing Sheets**



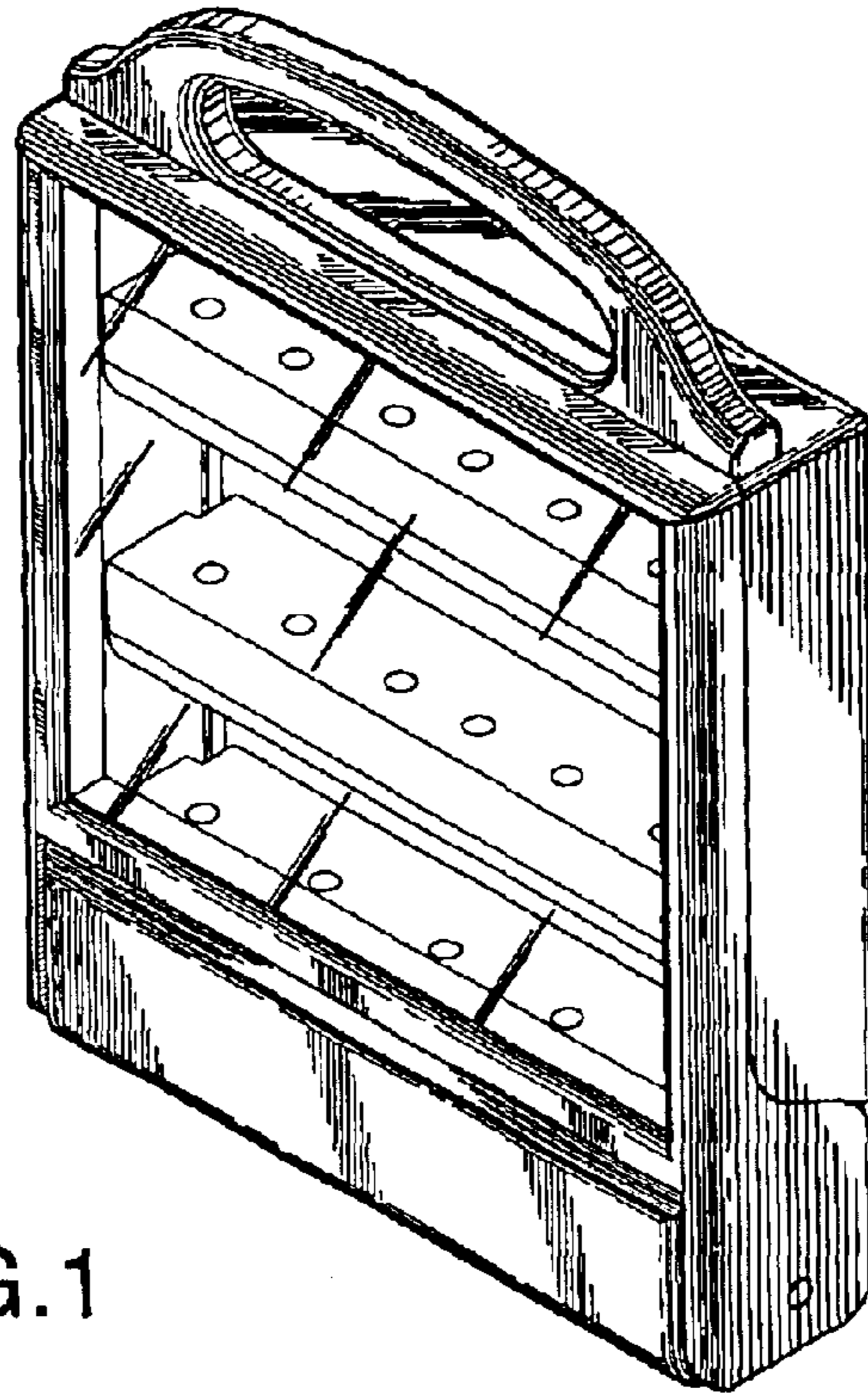


FIG. 1

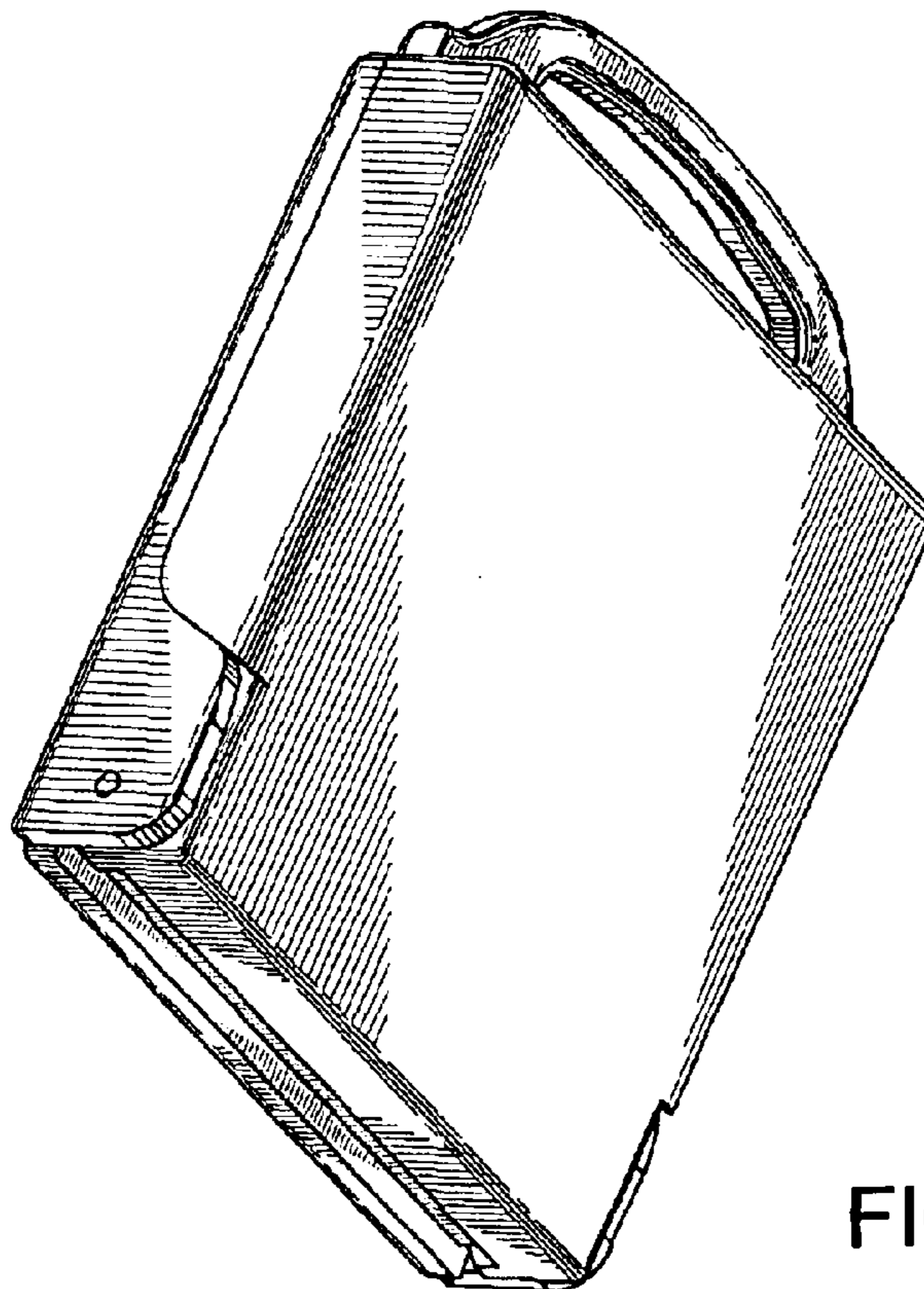


FIG. 2



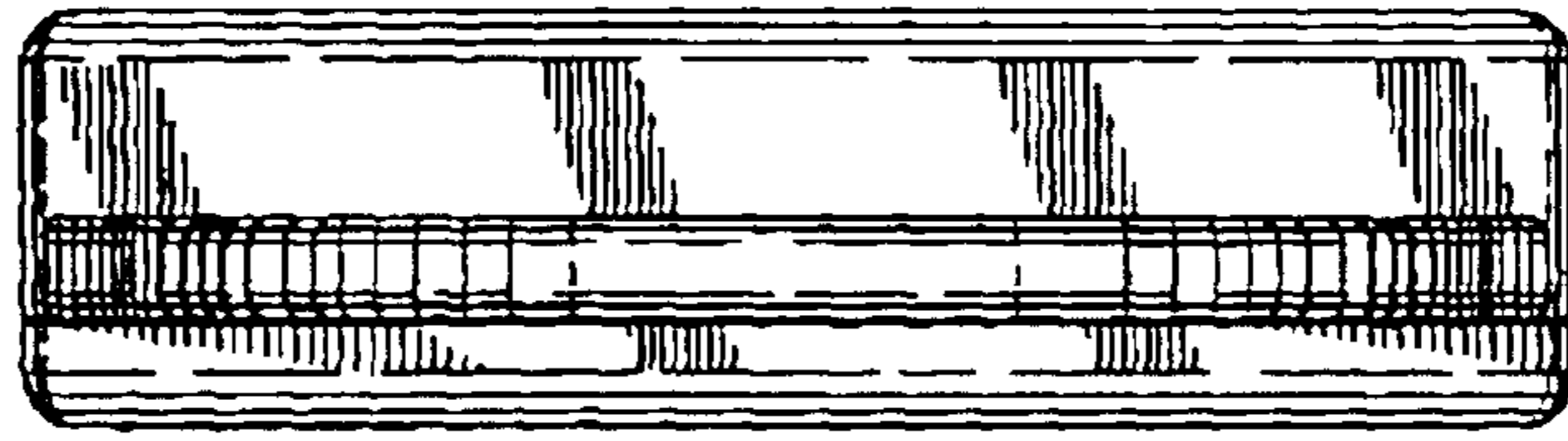


FIG. 3

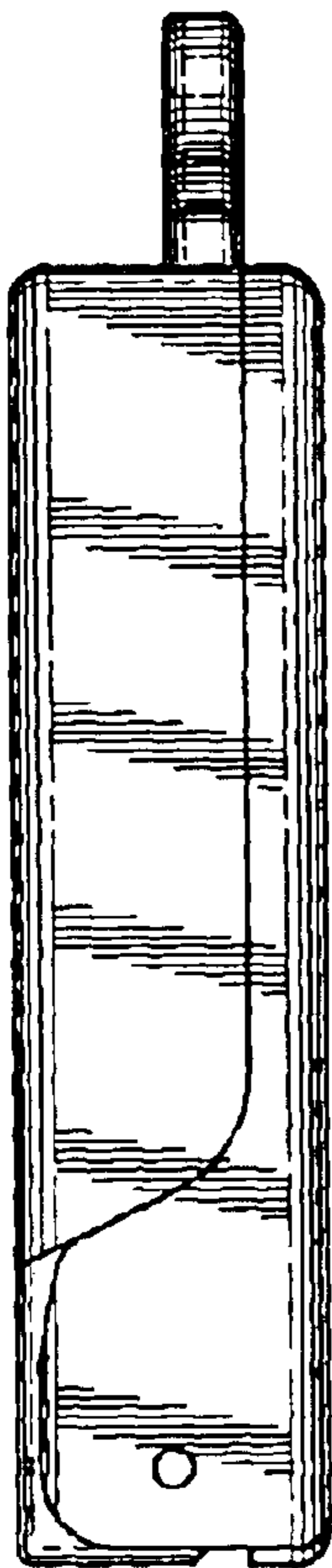


FIG. 4

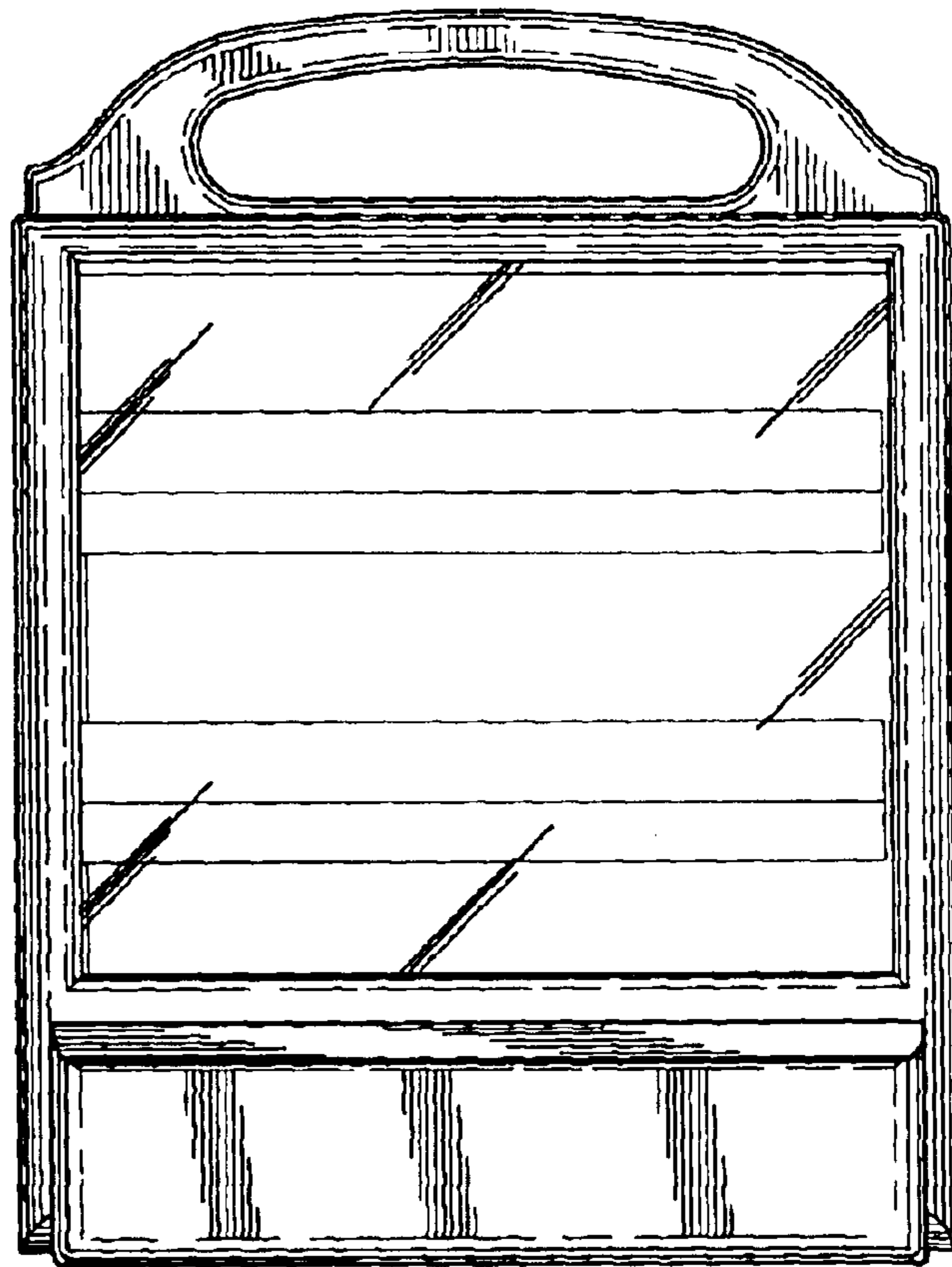


FIG. 5

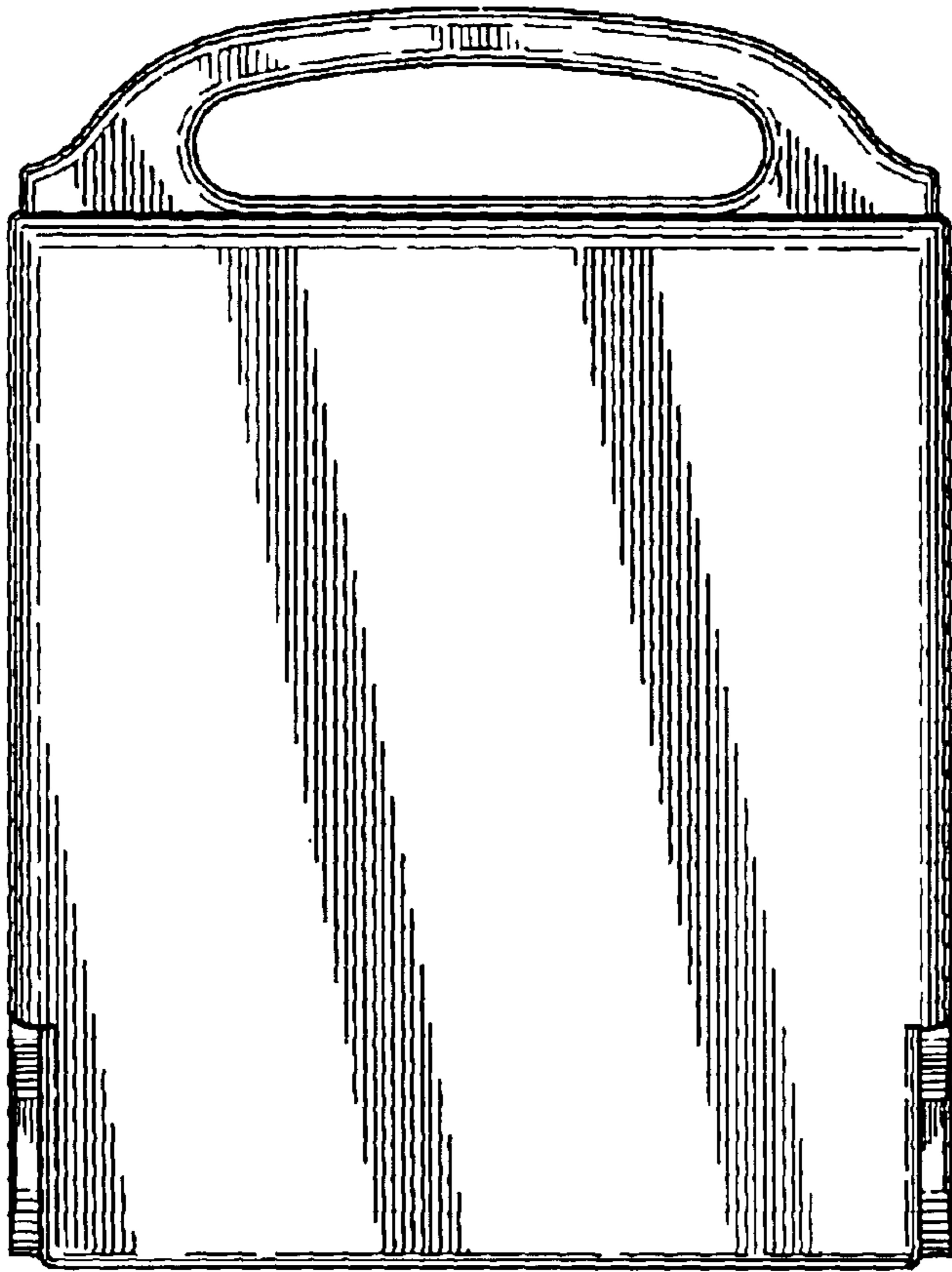


FIG. 6

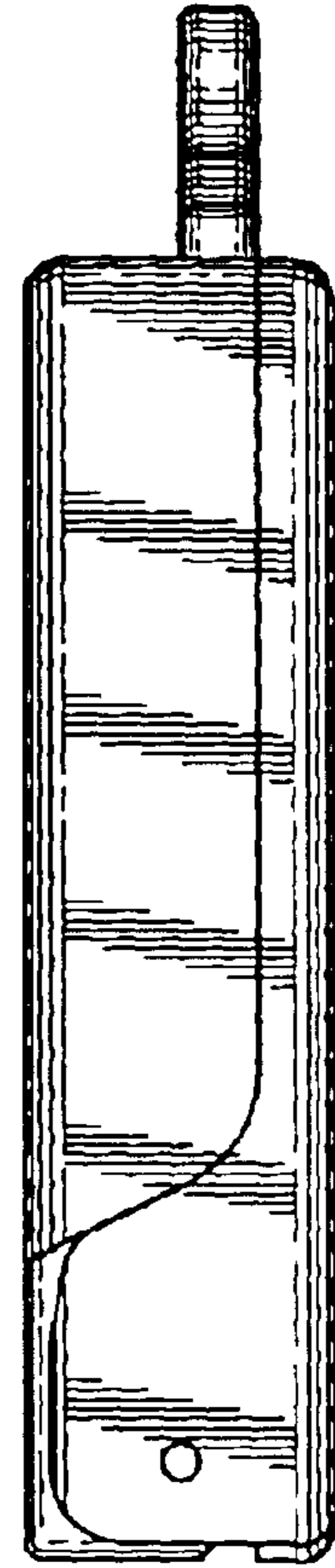


FIG. 7

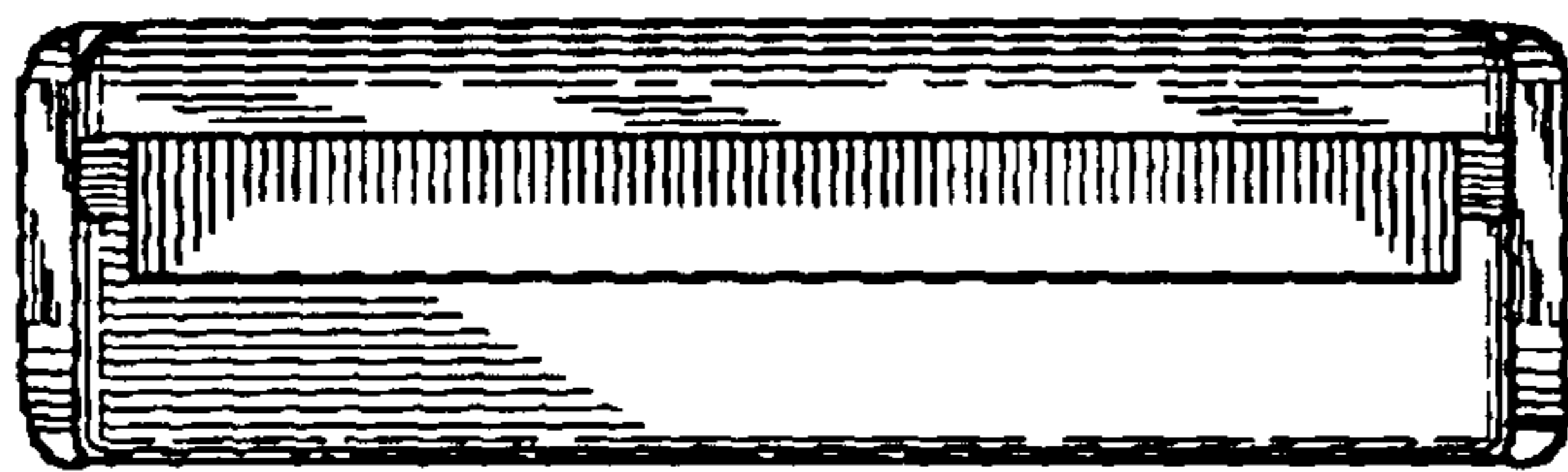


FIG. 8

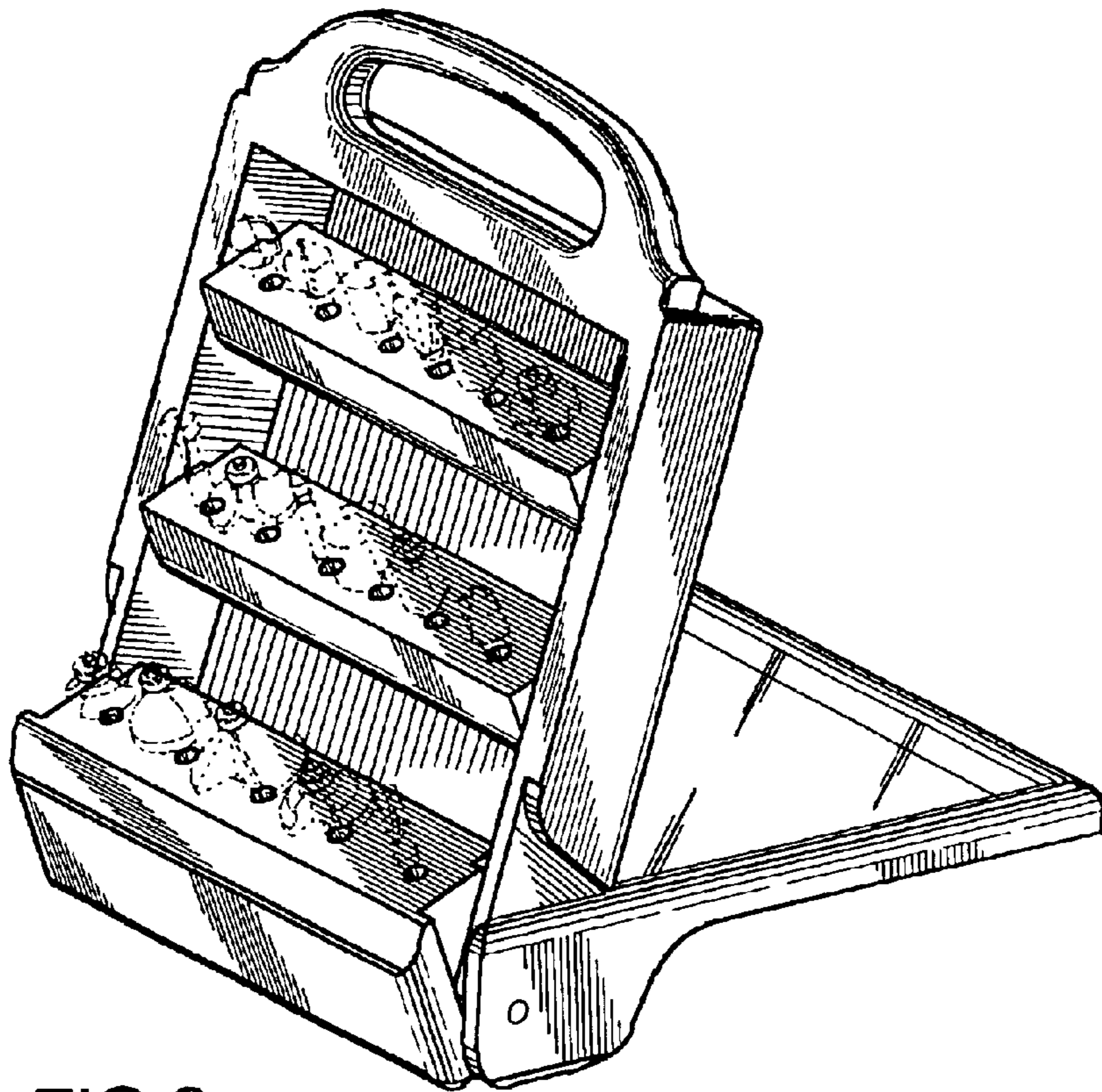


FIG. 9

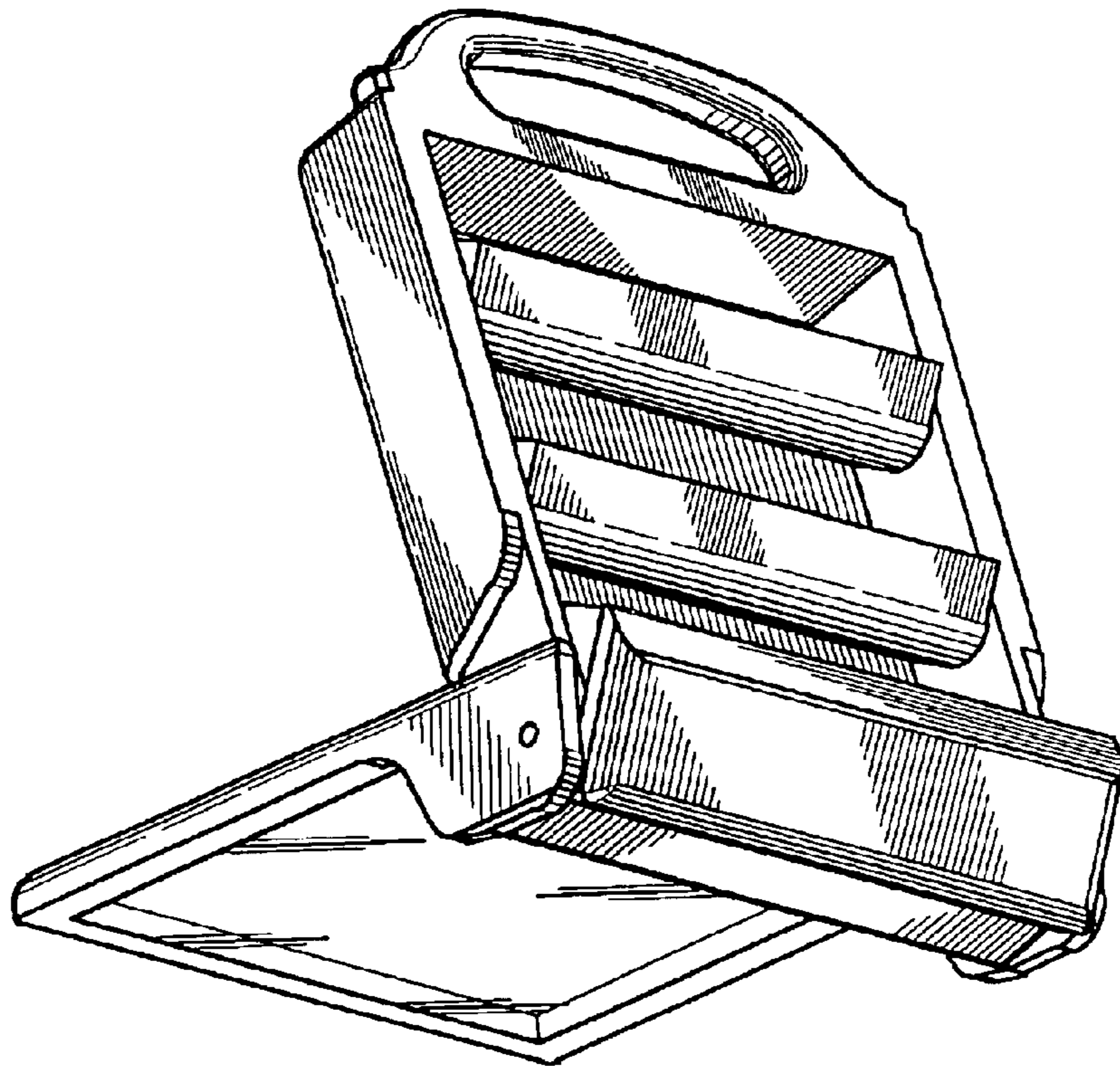


FIG. 10



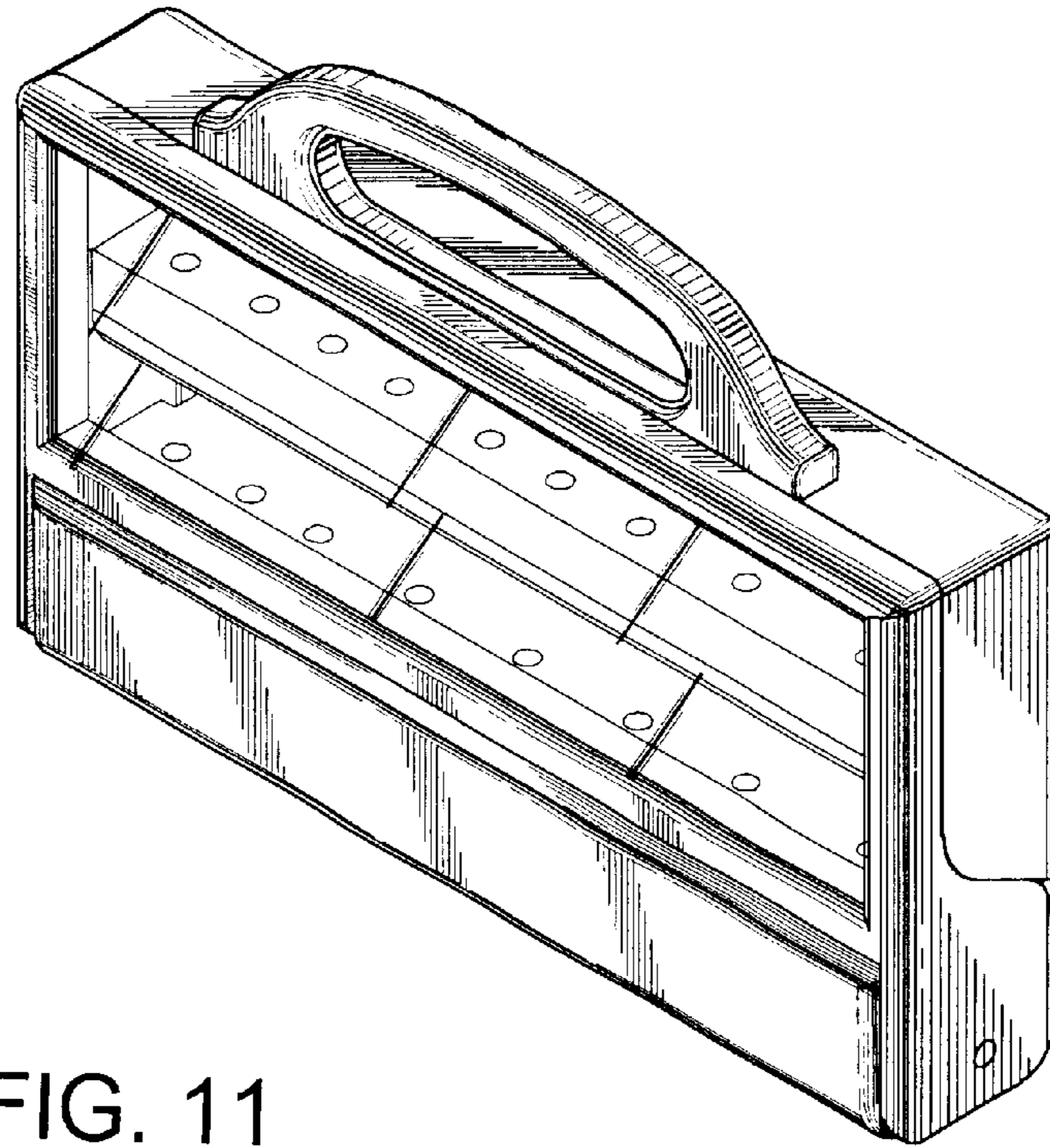


FIG. 11

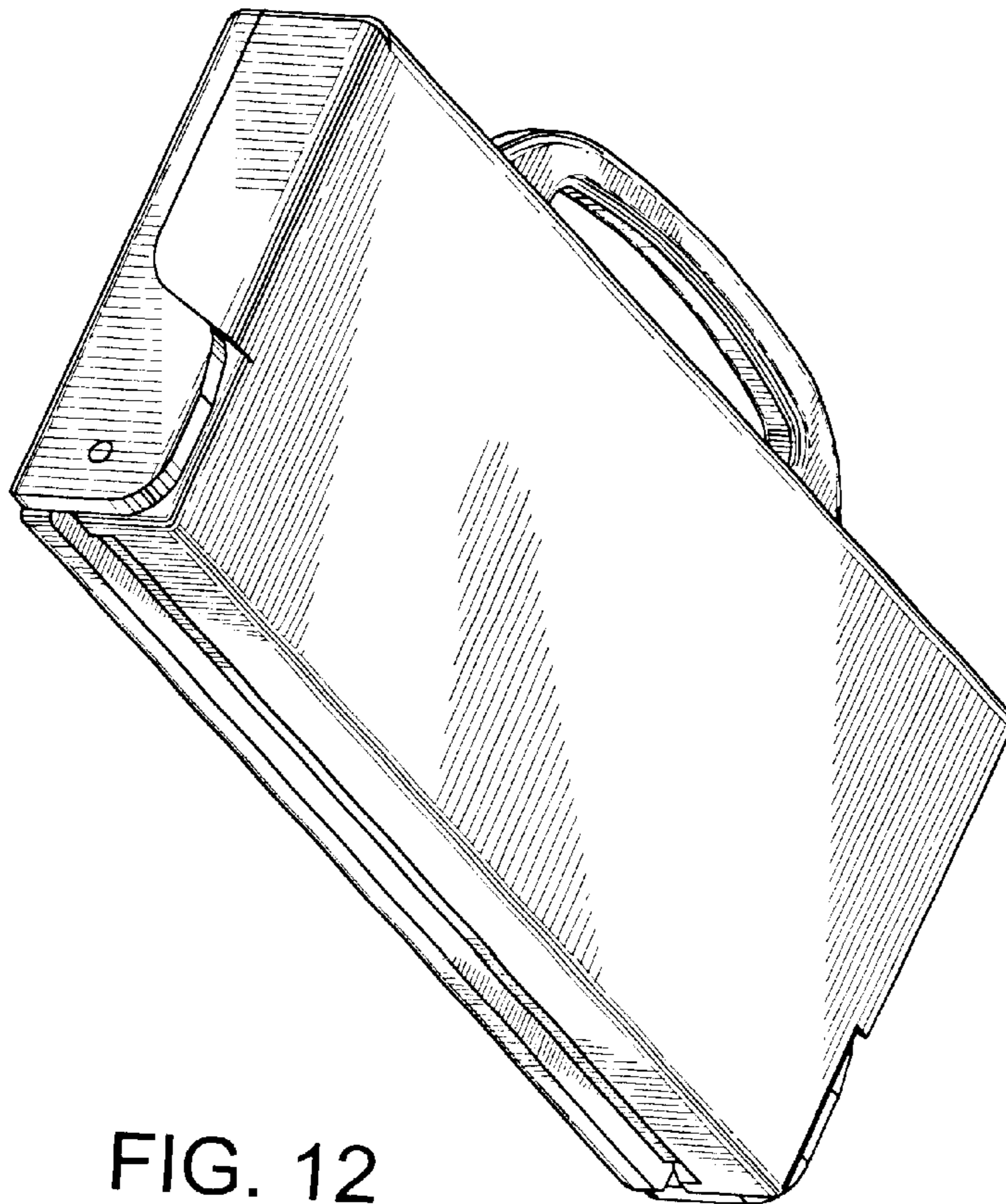


FIG. 12

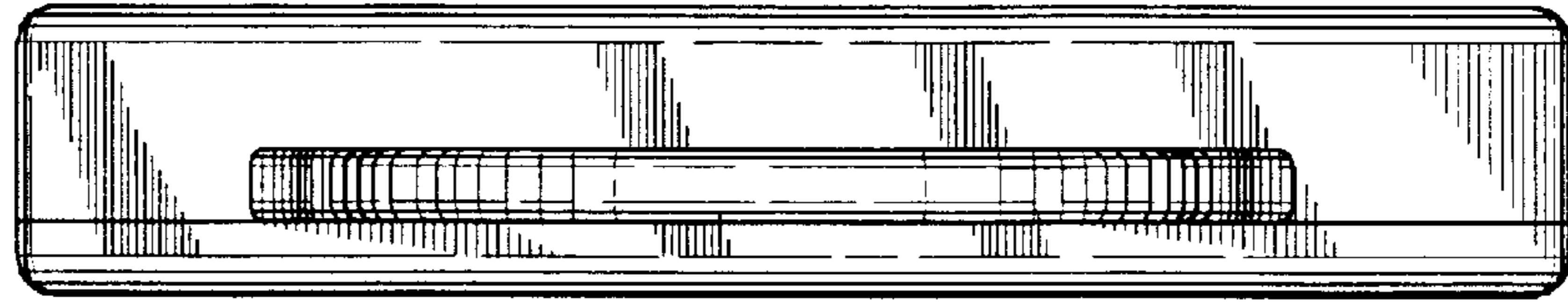


FIG. 13

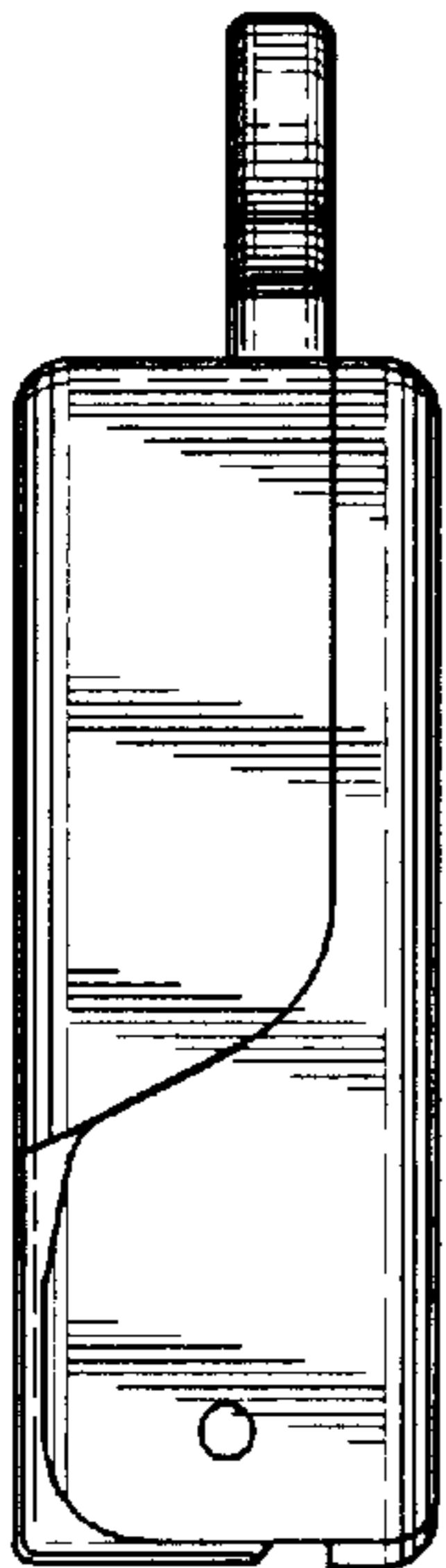


FIG. 14

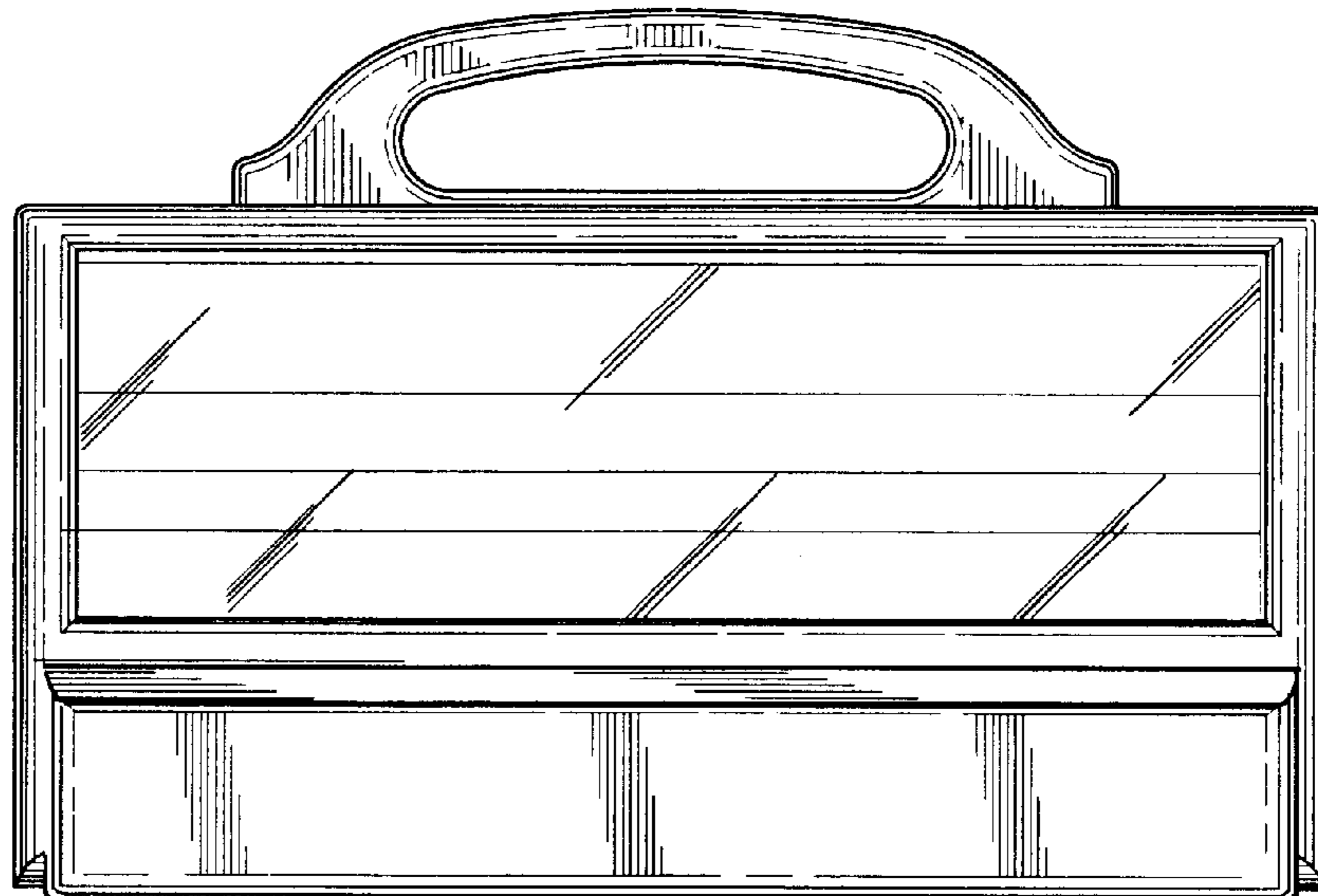


FIG. 15

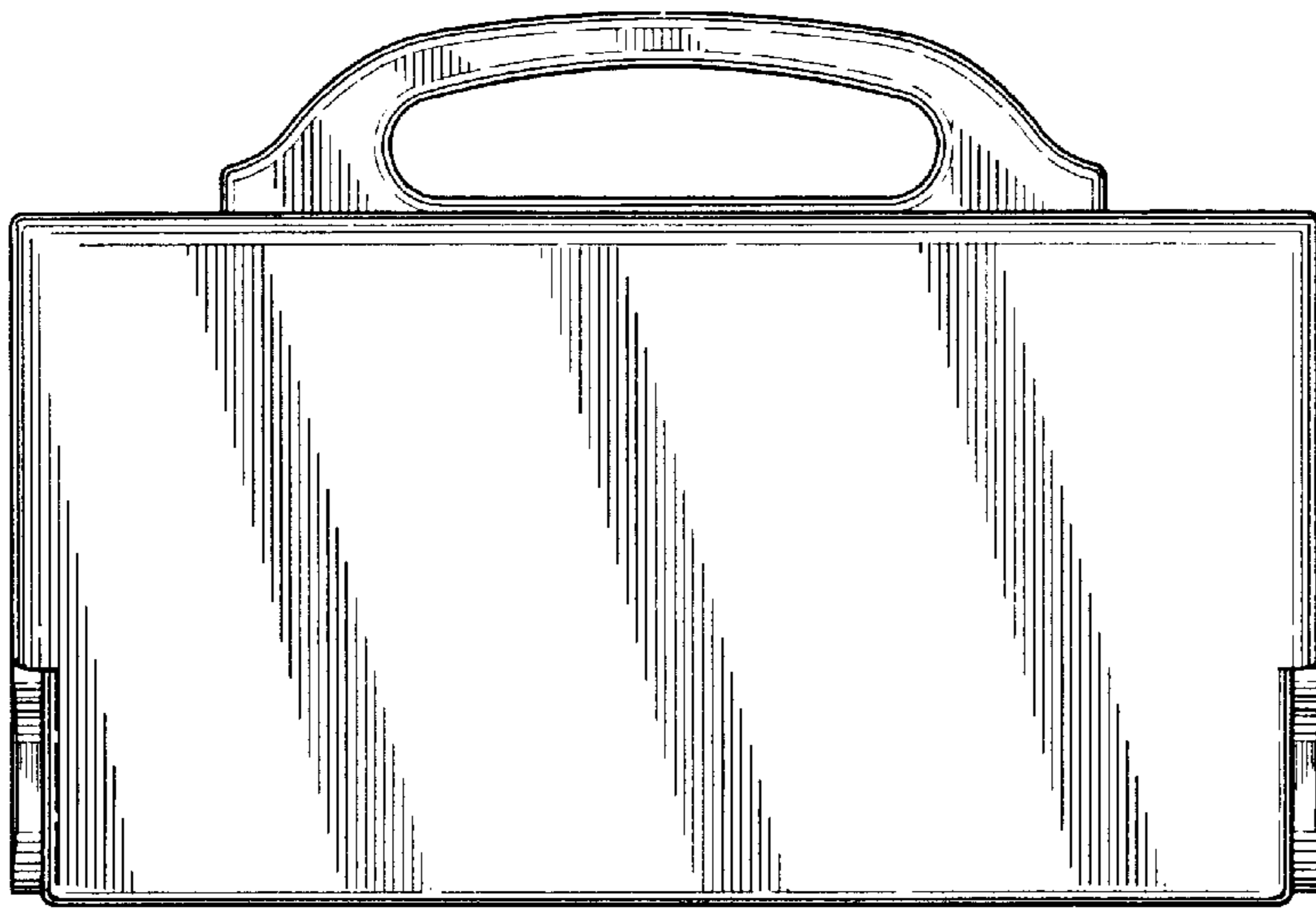


FIG. 16

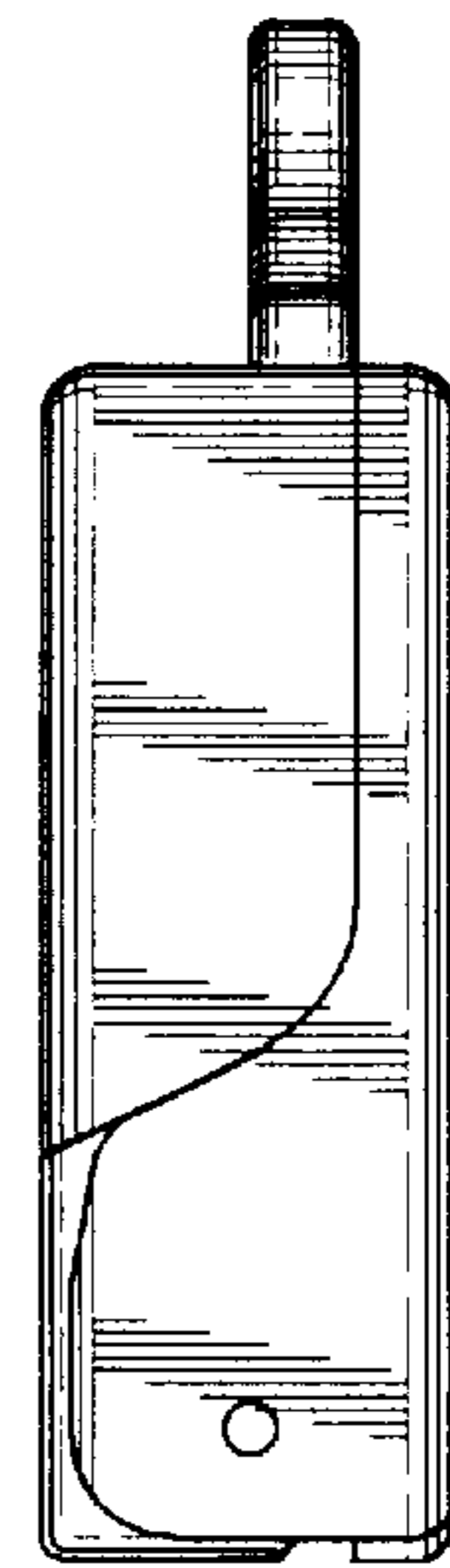


FIG. 17

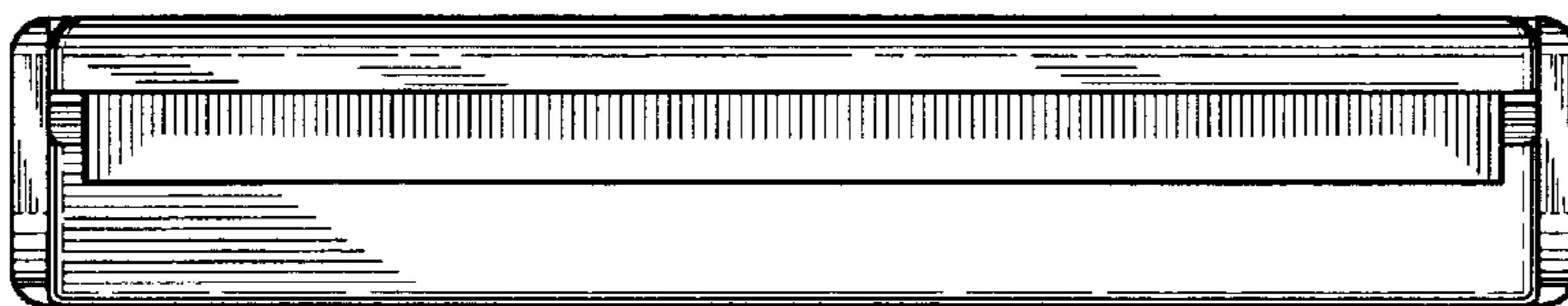


FIG. 18



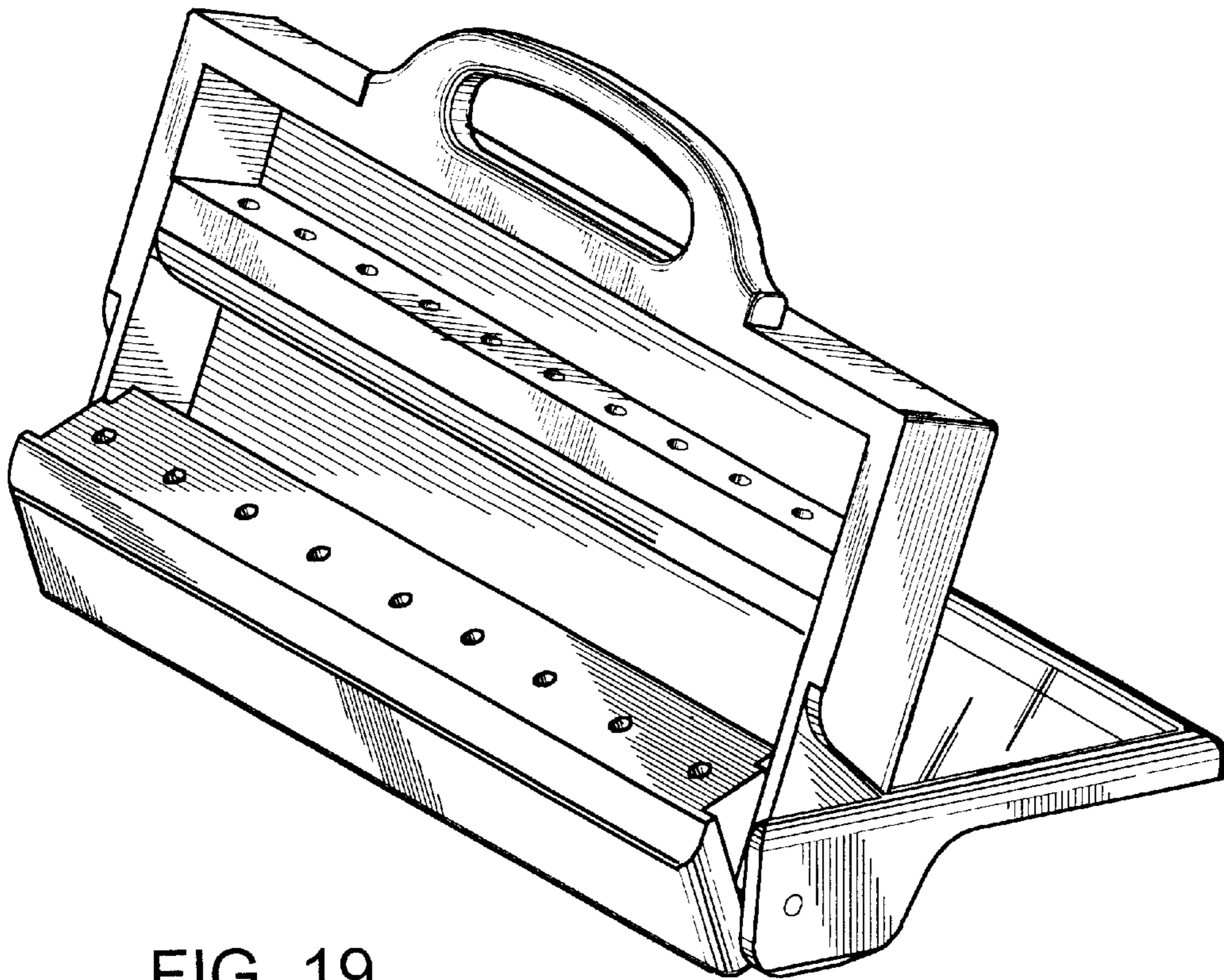


FIG. 19

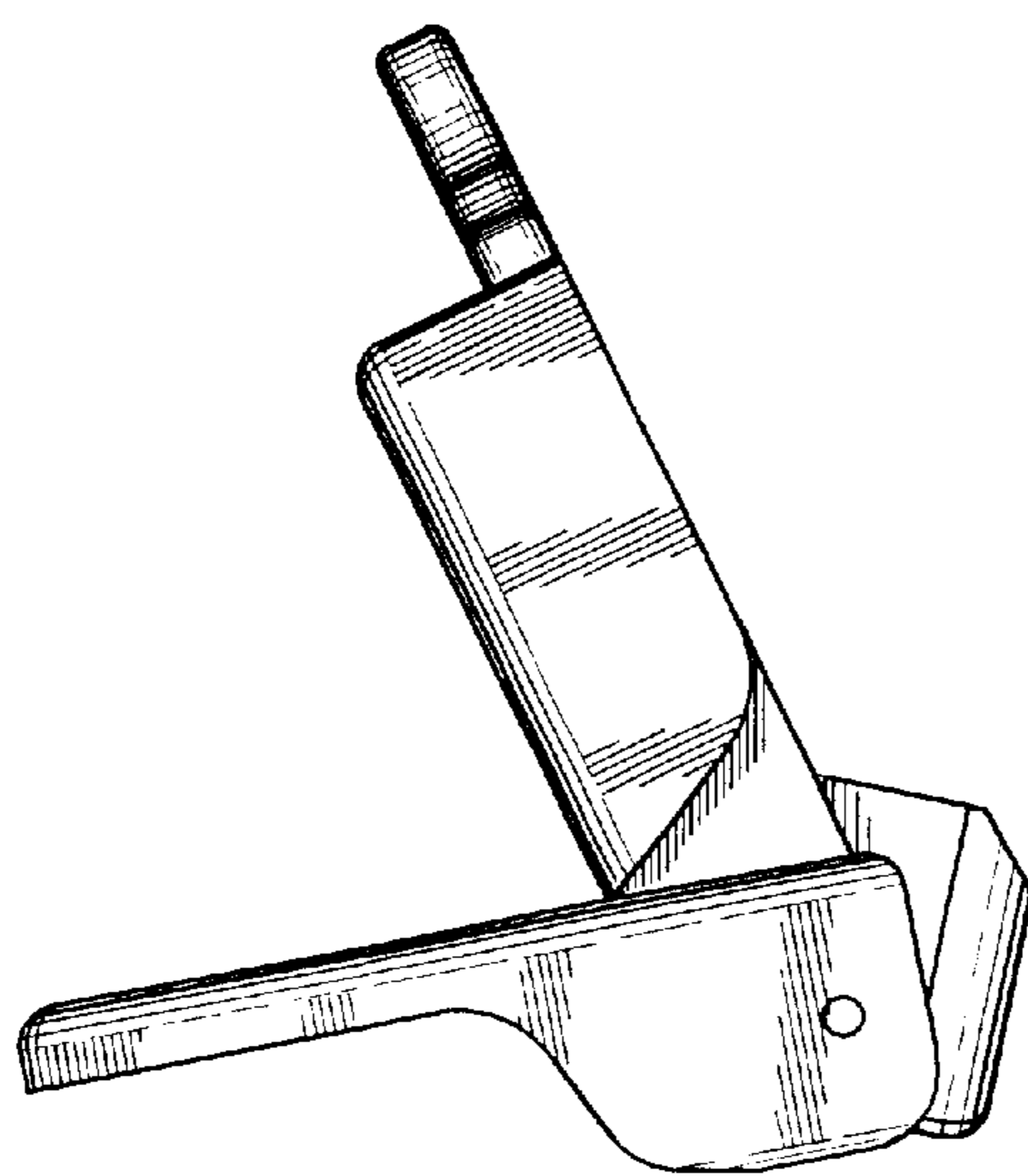


FIG. 20