



US00D511039S

(12) **United States Design Patent**  
**Gerard et al.**

(10) **Patent No.:** **US D511,039 S**  
(45) **Date of Patent:** **\*\* Nov. 1, 2005**

(54) **CONTACT LENS HOLDER**

(76) Inventors: **Milt Gerard**, 404B Susan Ct.,  
Northvale, NJ (US) 07647; **Jack Elias**,  
7232-139<sup>th</sup> St., Flushing, NY (US)  
11367

(\*\*) **Term:** **14 Years**

(21) **Appl. No.:** **29/196,041**

(22) **Filed:** **Dec. 22, 2003**

(51) **LOC (8) Cl.** ..... **03-01**

(52) **U.S. Cl.** ..... **D3/264; D3/263**

(58) **Field of Search** ..... D3/219, 263, 264,  
D3/265, 252; 206/5, 5.1, 6

(56) **References Cited**

**U.S. PATENT DOCUMENTS**

3,037,616	A	*	6/1962	Phipps, III	206/5
3,089,500	A	*	5/1963	Stalcup	134/156
3,394,717	A	*	7/1968	Hollinger	134/137
D228,093	S	*	8/1973	Middleton et al.	D3/264
4,858,754	A	*	8/1989	Wright et al.	206/5.1
5,368,708	A	*	11/1994	Pankow	205/688
5,383,550	A	*	1/1995	Tsao	206/5.1
5,439,572	A	*	8/1995	Pankow	204/450
5,529,678	A	*	6/1996	Pankow	204/600

5,891,258	A	*	4/1999	Pankow	134/6
D426,380	S		6/2000	Dar	
6,134,736	A	*	10/2000	Pankow	15/104.92
6,170,664	B1		1/2001	Dar	
D439,404	S		3/2001	Dar	
D454,493	S	*	3/2002	Chung	D9/423
2002/0069896	A1	*	6/2002	Pankow	134/6

\* cited by examiner

*Primary Examiner*—Celia A. Murphy

(74) *Attorney, Agent, or Firm*—Torys LLP

(57) **CLAIM**

The ornamental design for a contact lens holder, as shown and described.

**DESCRIPTION**

FIG. 1 is an isometric view of a contact lens holder showing our new design:

FIG. 2 is a top view thereof;

FIG. 3 is a right side view thereof;

FIG. 4 is a left side view thereof;

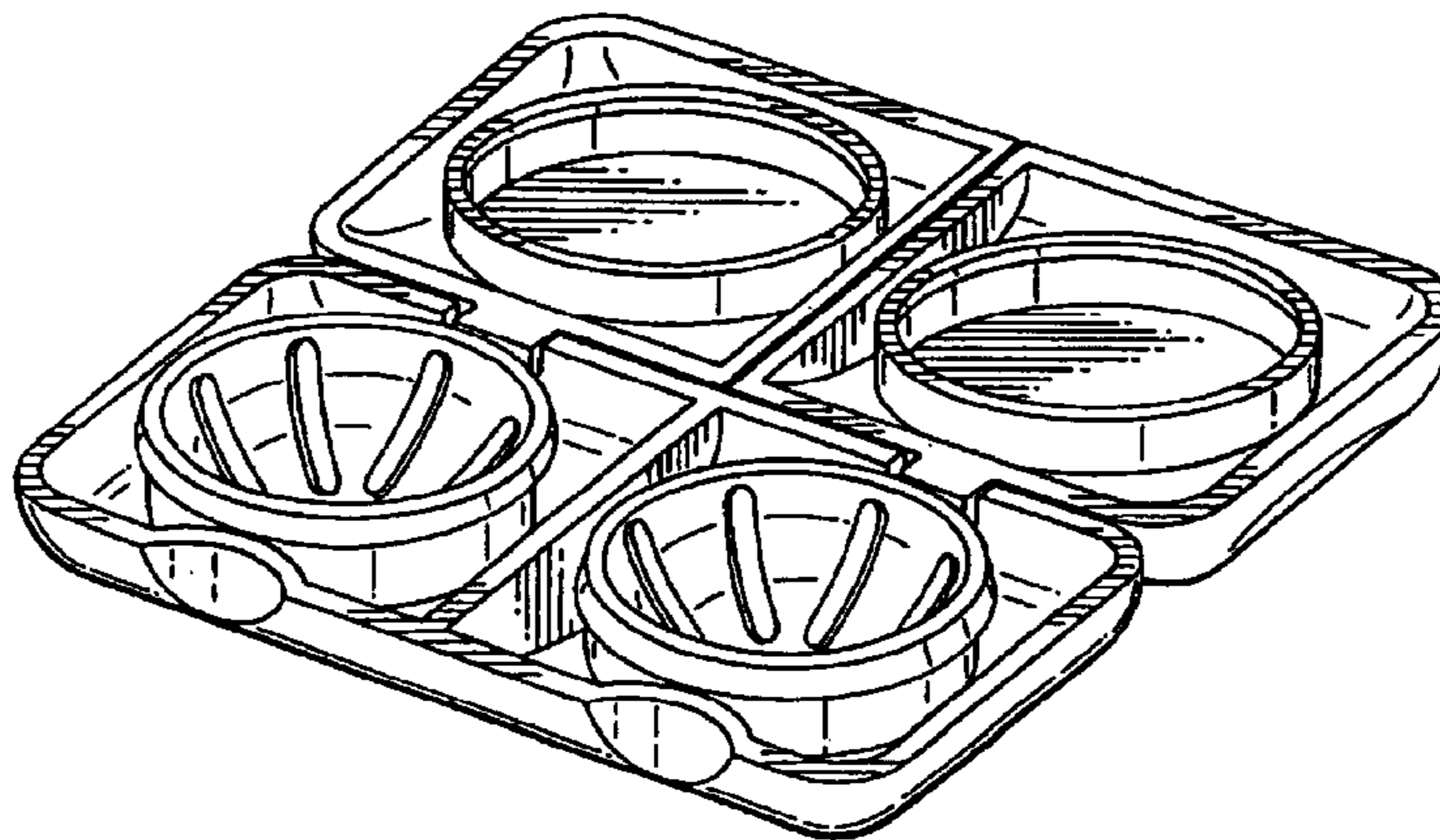
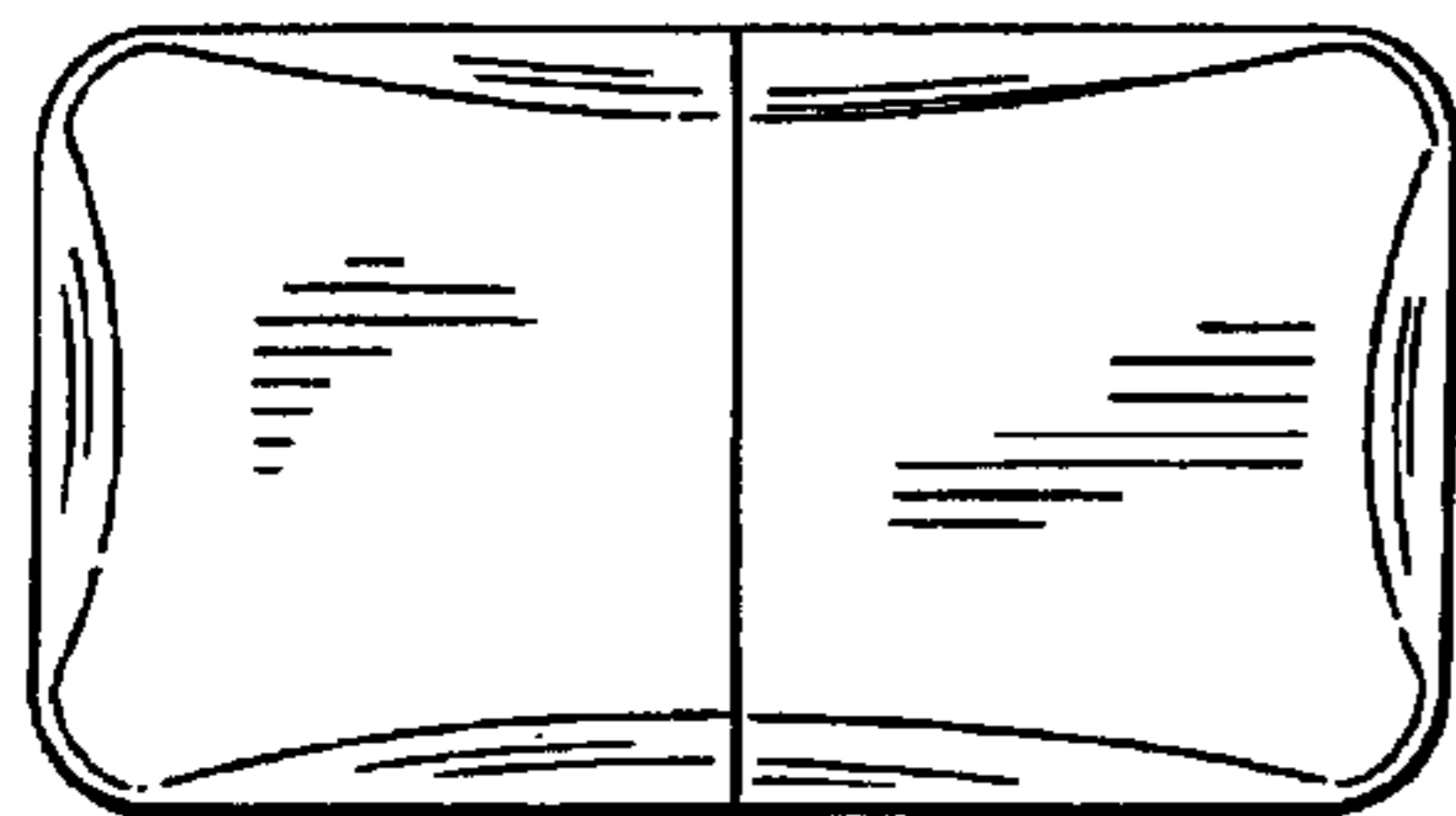
FIG. 5 is a bottom view thereof;

FIG. 6 is a front view thereof;

FIG. 7 is a rear view thereof; and,

FIG. 8 is an isometric view of the contact lens holder of FIG. 1 shown in the open position.

**1 Claim, 2 Drawing Sheets**



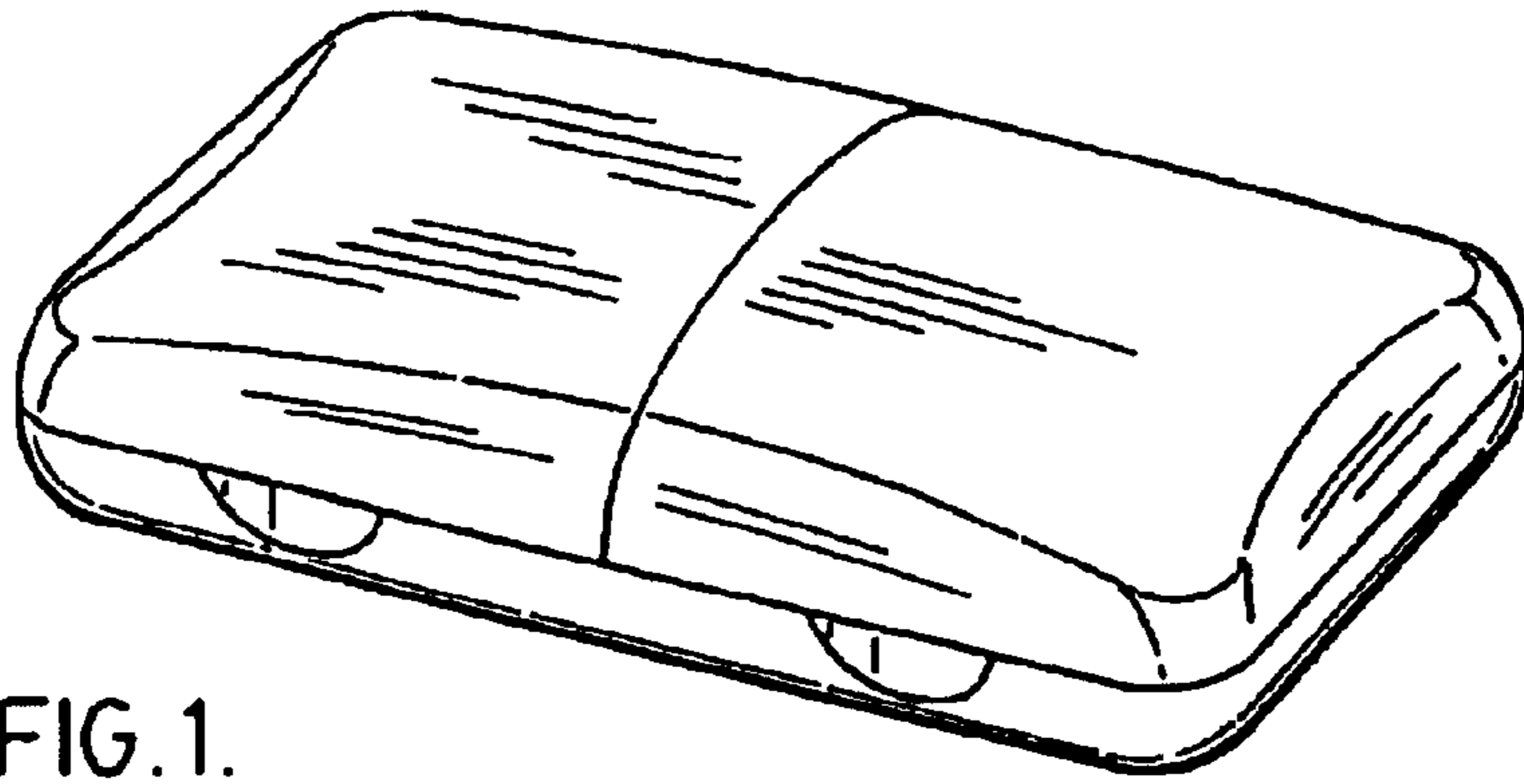


FIG. 1.

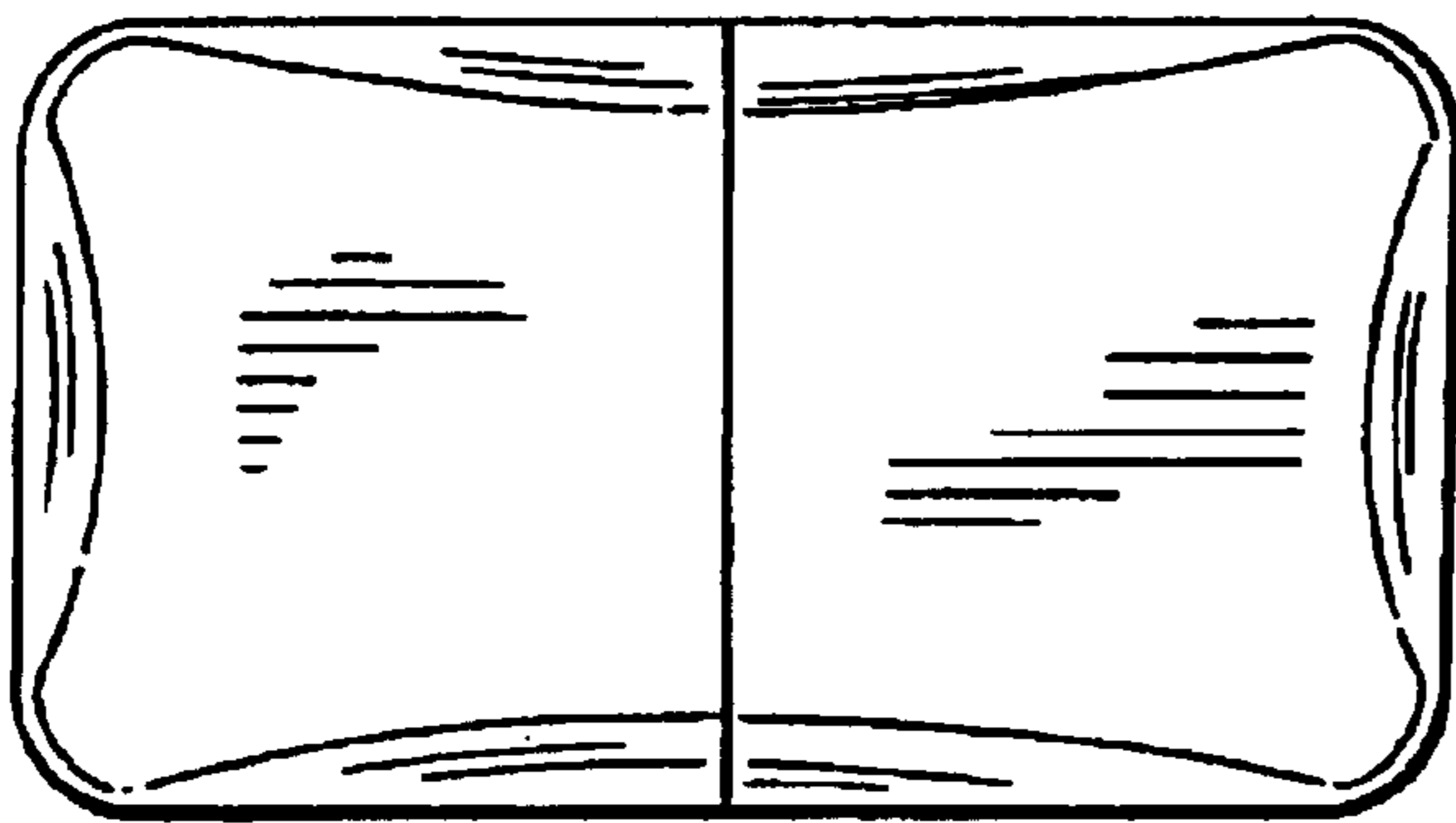


FIG. 2.

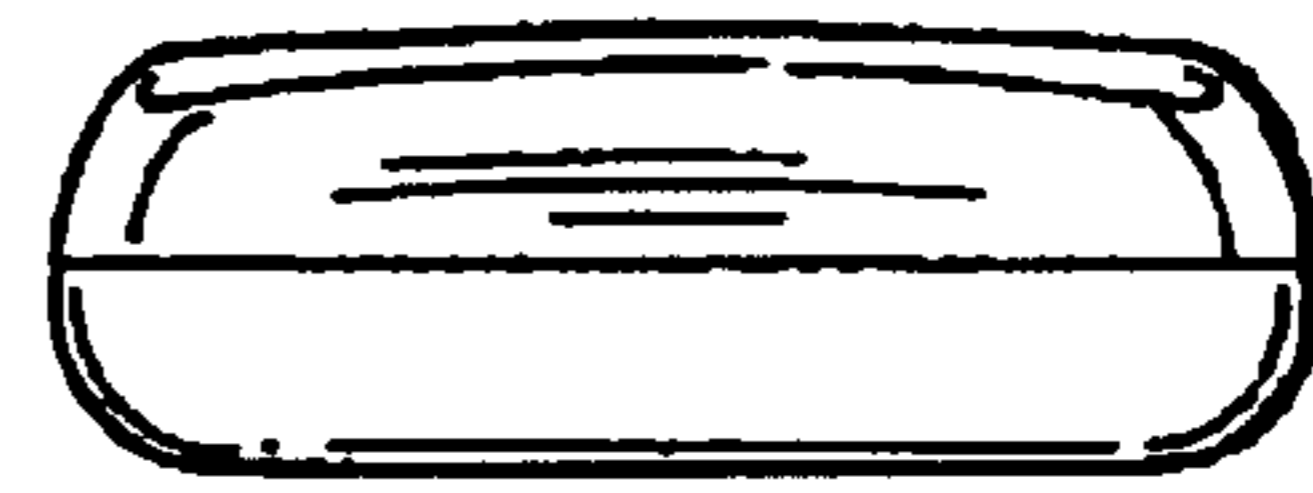


FIG. 3.

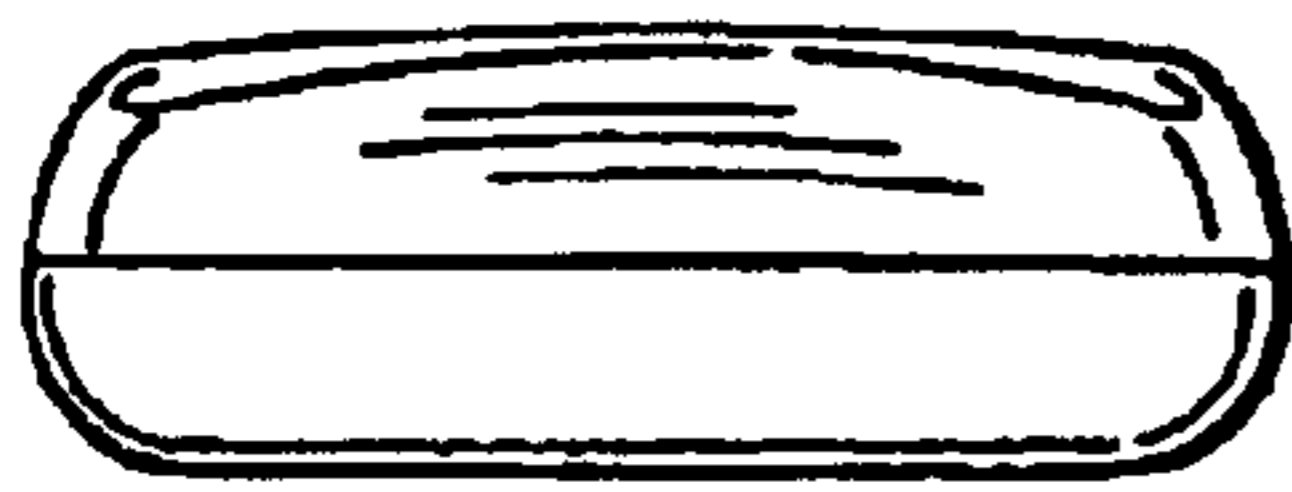


FIG. 4.

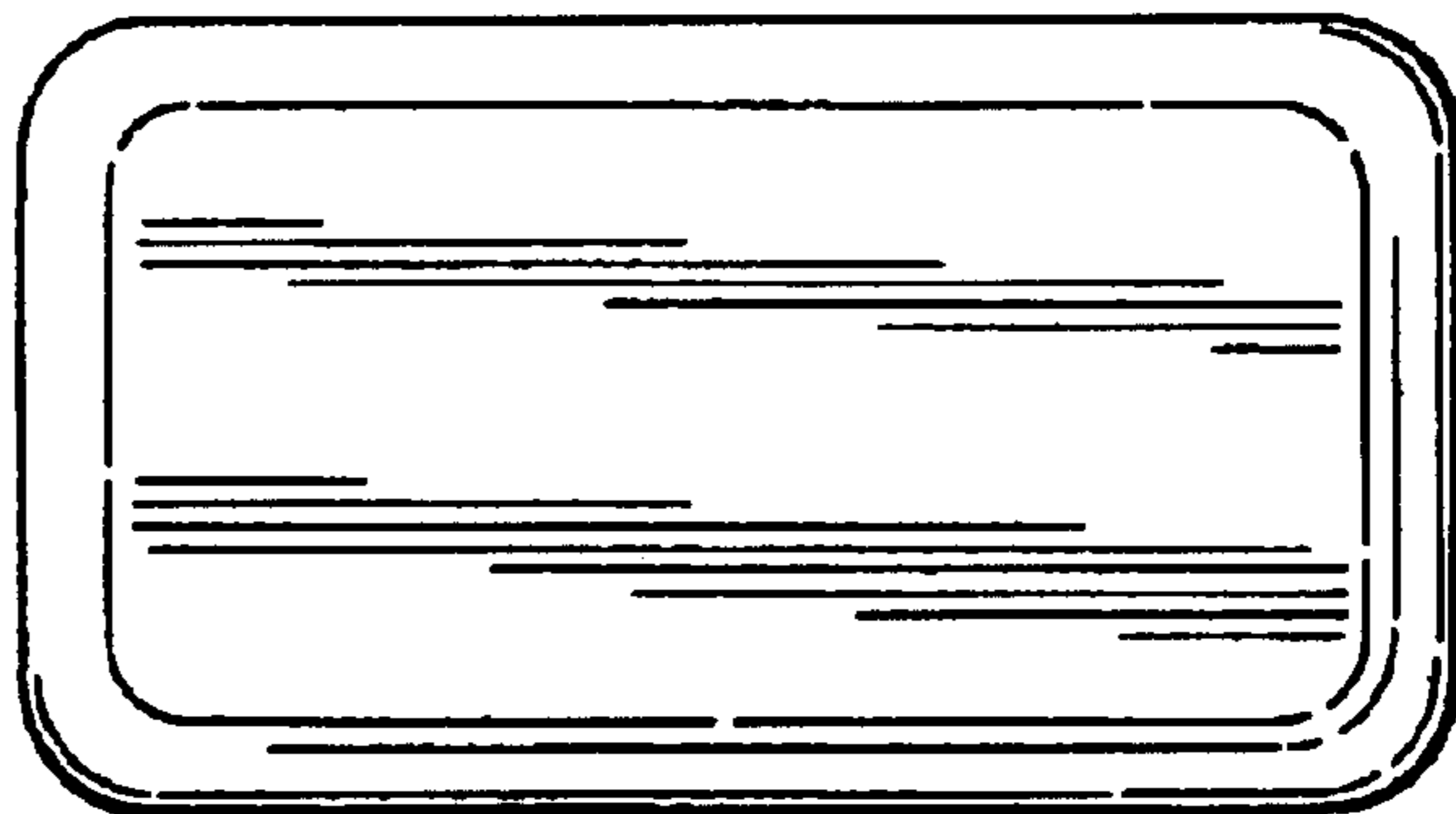


FIG. 5.

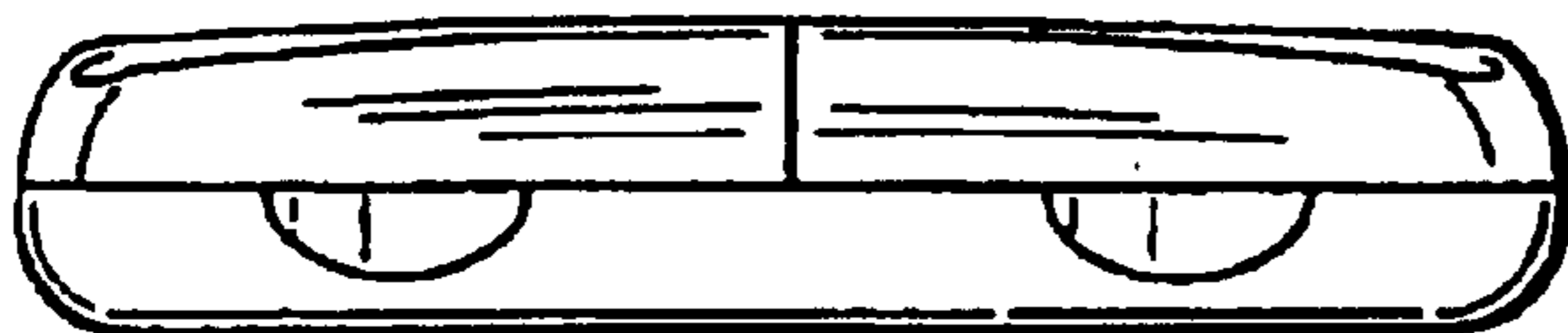
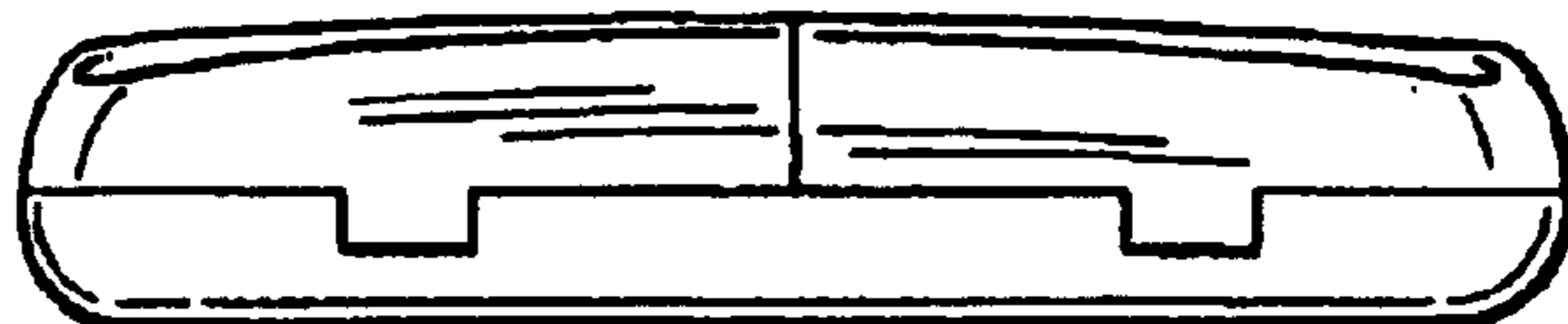


FIG. 6.

FIG. 7.



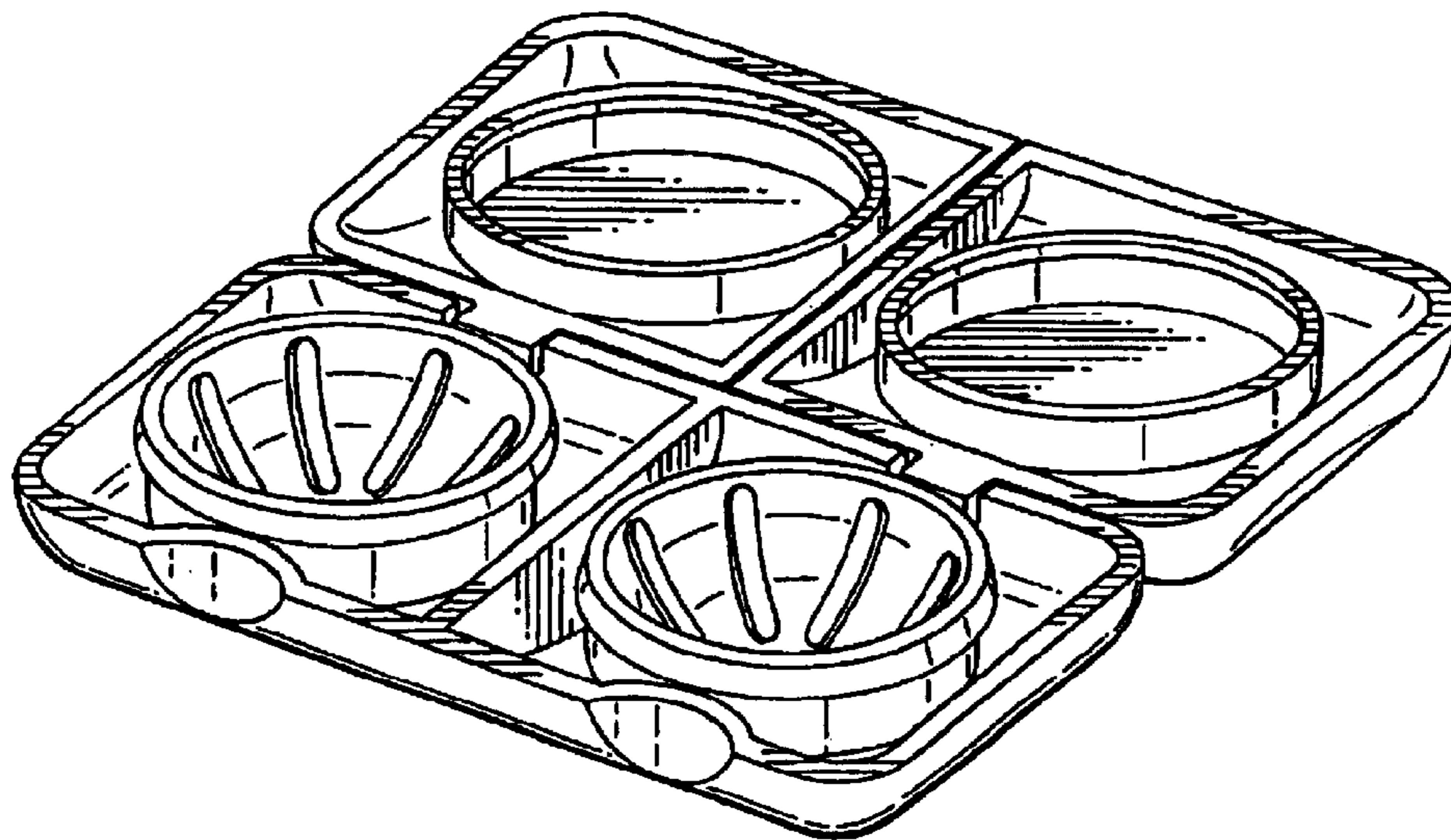


FIG. 8.