



US00D511035S

(12) **United States Design Patent** (10) **Patent No.:** **US D511,035 S**
Perella et al. (45) **Date of Patent:** **** *Oct. 25, 2005**

(54) **SECURITY BOX**

(75) Inventors: **Daniel Perella**, Hudson, OH (US);
Anthony DeCarlo, Bay Village, OH
(US); **Vincent Thomson**, Avon Lake,
OH (US)

(73) Assignee: **Ideastream Consumer Products LLP**,
Parma, OH (US)

(*) Notice: This patent is subject to a terminal dis-
claimer.

(**) Term: **14 Years**

(21) Appl. No.: **29/203,511**

(22) Filed: **Apr. 16, 2004**

Related U.S. Application Data

(62) Division of application No. 29/180,361, filed on Apr. 23,
2003, now Pat. No. Des. 490,206.

(51) **LOC (8) Cl.** **99-00**

(52) **U.S. Cl.** **D99/28**

(58) **Field of Search** D99/28, 34, 35,
D99/36, 43; D3/263, 267, 268, 272, 276,
281, 294, 900; D6/448; 190/37, 28, 109,
124, 115; 232/4 R

(56) **References Cited**

U.S. PATENT DOCUMENTS

D67,730 S	*	6/1925	Wheary	D3/272
1,767,143 A	*	6/1930	La Duke	190/28
D129,108 S	*	8/1941	Sprague	D3/268
D160,949 S	*	11/1950	Knell	D3/275
2,626,025 A	*	1/1953	Sherman	190/37
D202,160 S	*	8/1965	Territo	D3/284
D247,993 S	*	5/1978	Calzone, III	D3/204

4,669,587 A	*	6/1987	Zitt	190/109
D314,666 S		2/1991	Lanius		
D393,526 S		4/1998	Robey et al.		
D414,037 S		9/1999	Akaike et al.		
D415,614 S	*	10/1999	Akaike et al.	D3/276
D419,766 S	*	2/2000	Rekuc	D3/272
D493,936 S	*	8/2004	Perella et al.	D99/28
D497,252 S	*	10/2004	Perella et al.	D3/294

* cited by examiner

Primary Examiner—Paula A. Greene
(74) *Attorney, Agent, or Firm*—Pillsbury Winthrop Shaw,
Pittman LLP

(57) **CLAIM**

The ornamental design for a security box, as shown and
described.

DESCRIPTION

A portion of the disclosure of this patent document contains
material to which a claim for copyright is made. The
copyright owner has no objection to the facsimile reproduc-
tion of the patent document or the patent disclosure, as it
appears in the Patent and Trademark Office patent file or
records, but reserves all other copyrights whatsoever.

FIG. 1 is a perspective view of a security box showing our
new design, the broken lines are for illustrative purposes
only and forms no part of the claimed design;

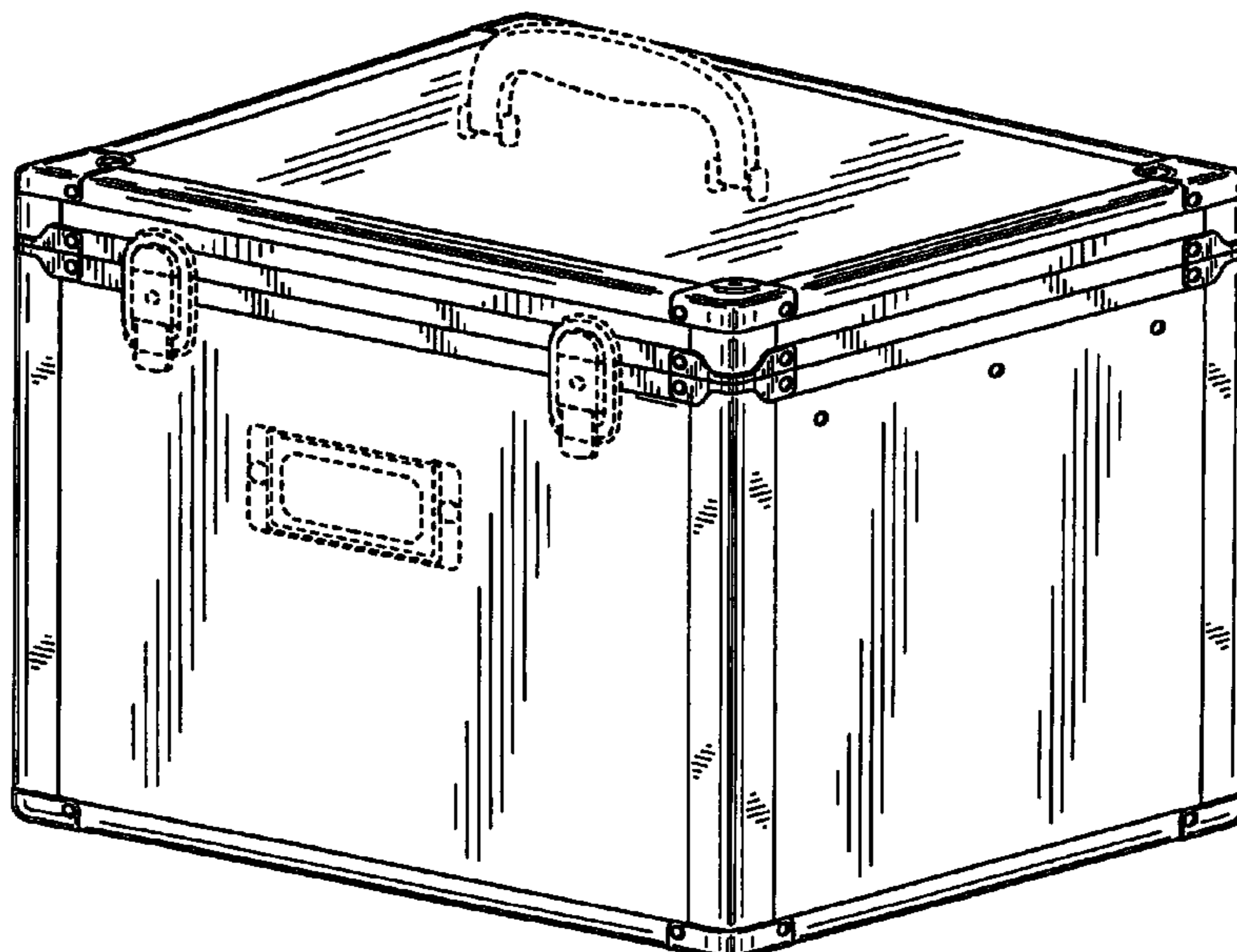
FIG. 2 is a front elevational view of the security box of FIG.
1;

FIG. 3 is a rear elevational view of the security box of FIG.
1;

FIG. 4 is a left side profile view of the security box of FIG.
1, it being understood that the right side profile view is a
substantial mirror image; and,

FIG. 5 is a top plan view of the security box of FIG. 1.

1 Claim, 5 Drawing Sheets



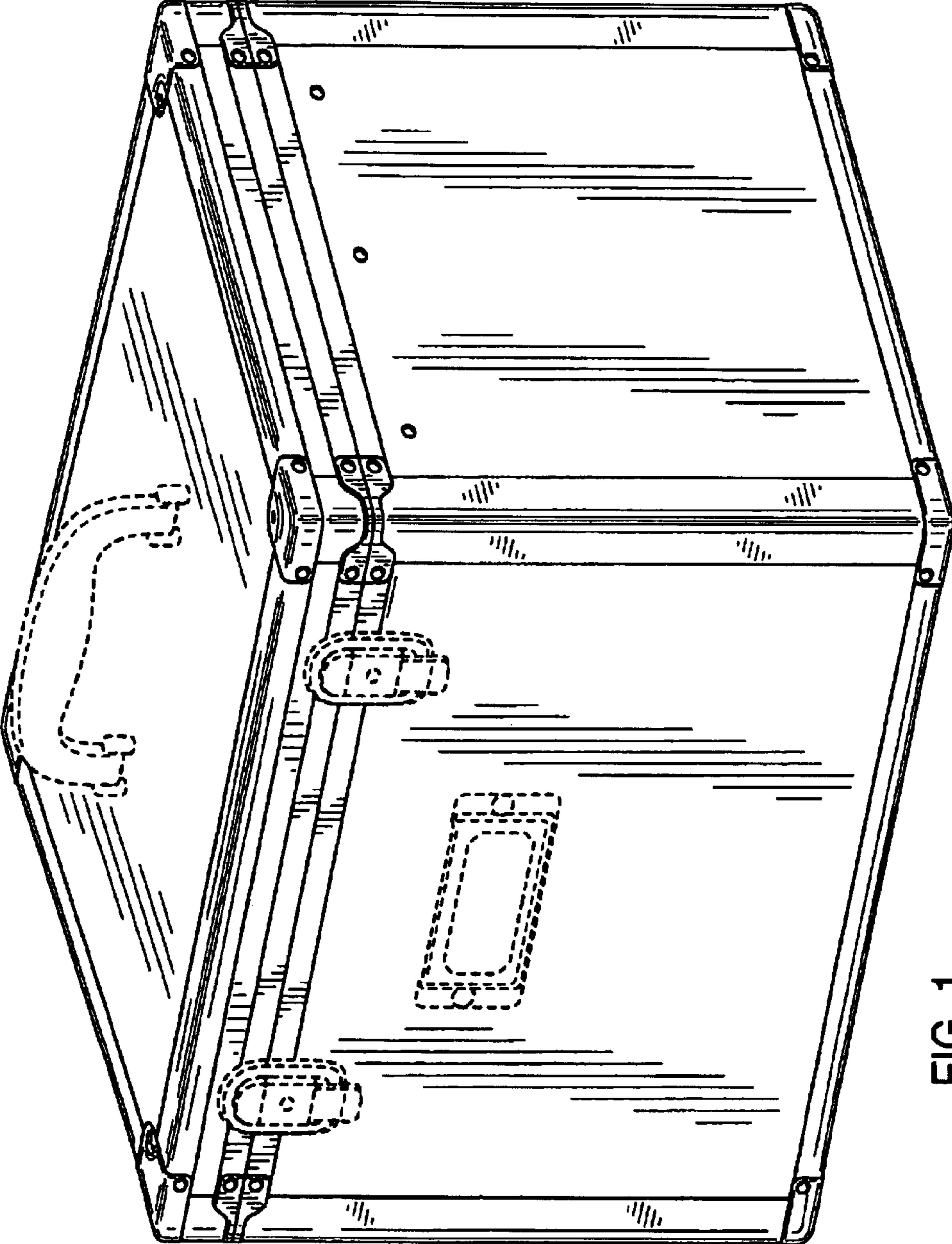


FIG. 1

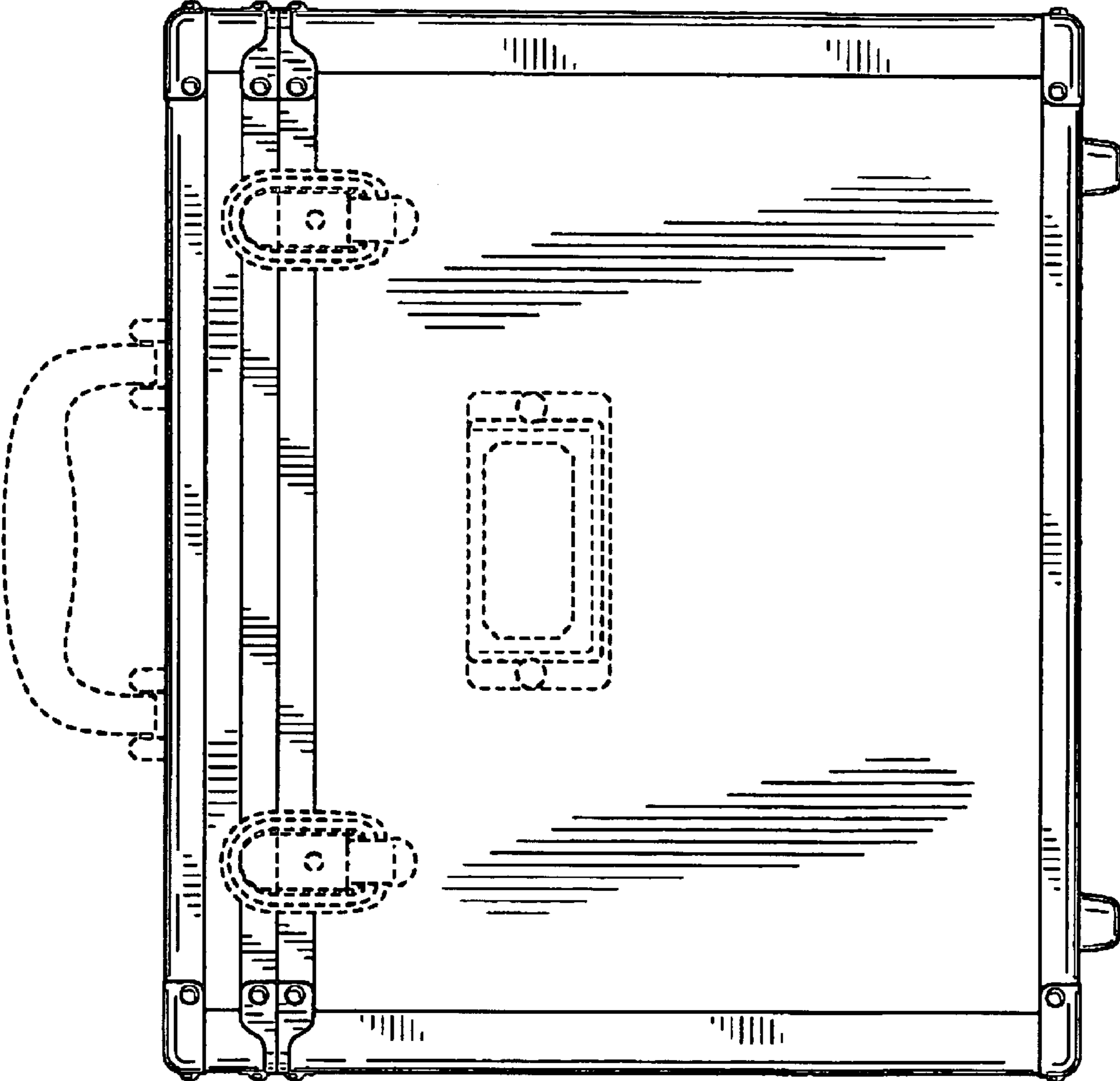


FIG. 2

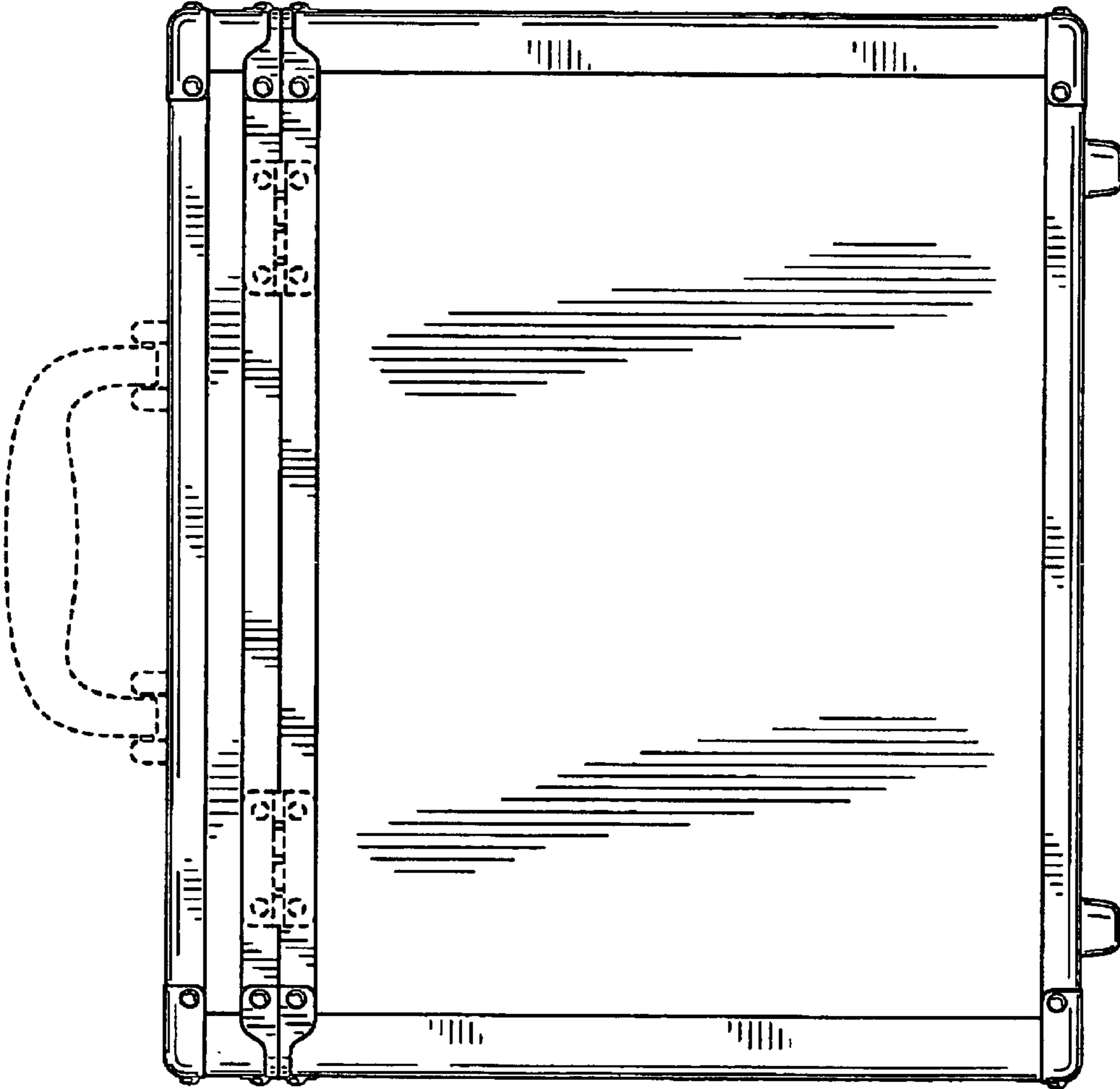


FIG. 3

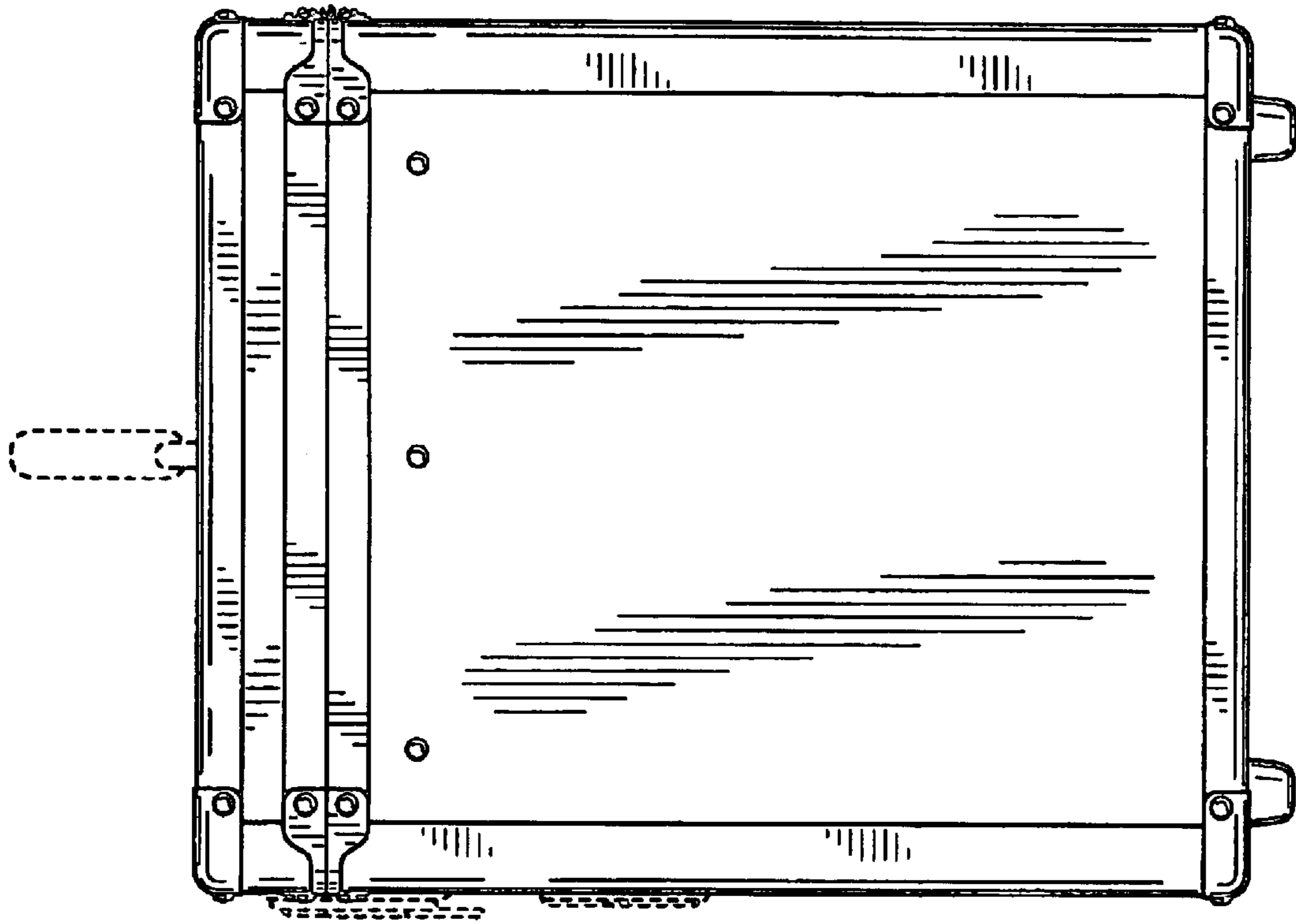


FIG. 4

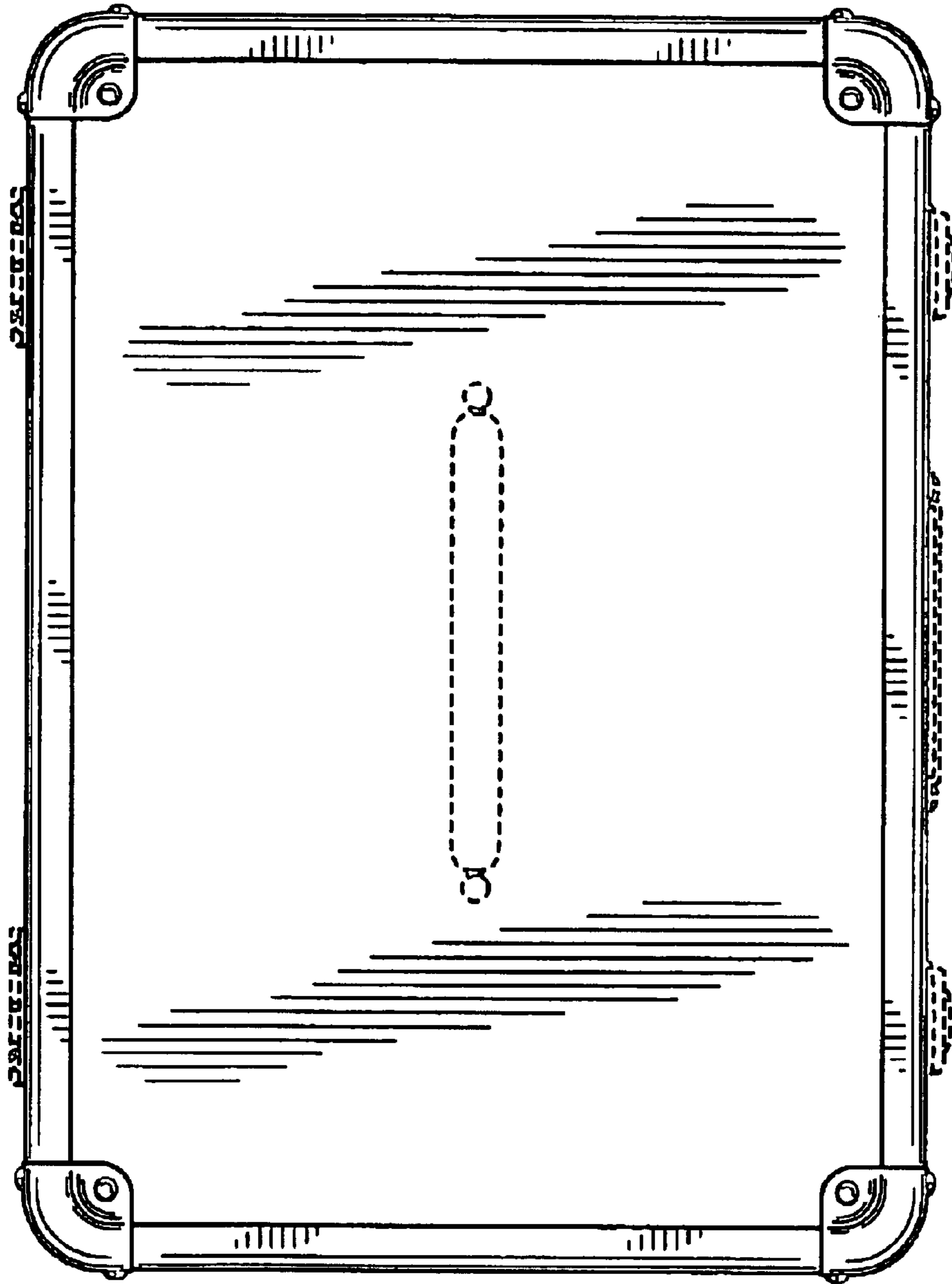


FIG. 5