



US00D511033S

(12) **United States Design Patent**  
**Berthier**

(10) **Patent No.:** **US D511,033 S**  
(45) **Date of Patent:** **\*\* Oct. 25, 2005**

(54) **STEAM IRON**

D464,780 S \* 10/2002 Schupp ..... D32/70  
D466,663 S \* 12/2002 Wendt ..... D32/70  
D484,289 S 12/2003 Berthier

(75) Inventor: **Marc Berthier**, Paris (FR)

(73) Assignee: **Rowenta Werke GmbH**, Offenbach (DE)

(\*\*) Term: **14 Years**

(21) Appl. No.: **29/214,513**

(22) Filed: **Oct. 6, 2004**

(30) **Foreign Application Priority Data**

Apr. 9, 2004 (FR) ..... 04 1783

(51) **LOC (8) Cl.** ..... **07-05**

(52) **U.S. Cl.** ..... **D32/70**

(58) **Field of Search** ..... D32/68-72; 38/69,  
38/74, 75, 77.1, 77.2, 77.3, 77.4, 77.5,  
77.6, 77.7, 77.8, 77.81, 77.9, 88-93; 219/245-248

(56) **References Cited**

**U.S. PATENT DOCUMENTS**

D343,933 S \* 2/1994 Nitsch ..... D32/70  
D366,544 S \* 1/1996 Choi ..... D32/70  
D457,996 S \* 5/2002 Figur et al. .... D32/70

**FOREIGN PATENT DOCUMENTS**

GB 3015607 12/2003

\* cited by examiner

*Primary Examiner*—Alan P. Douglas  
*Assistant Examiner*—Lavone D. Tabor

(74) *Attorney, Agent, or Firm*—Browdy and Neimark, PLLC

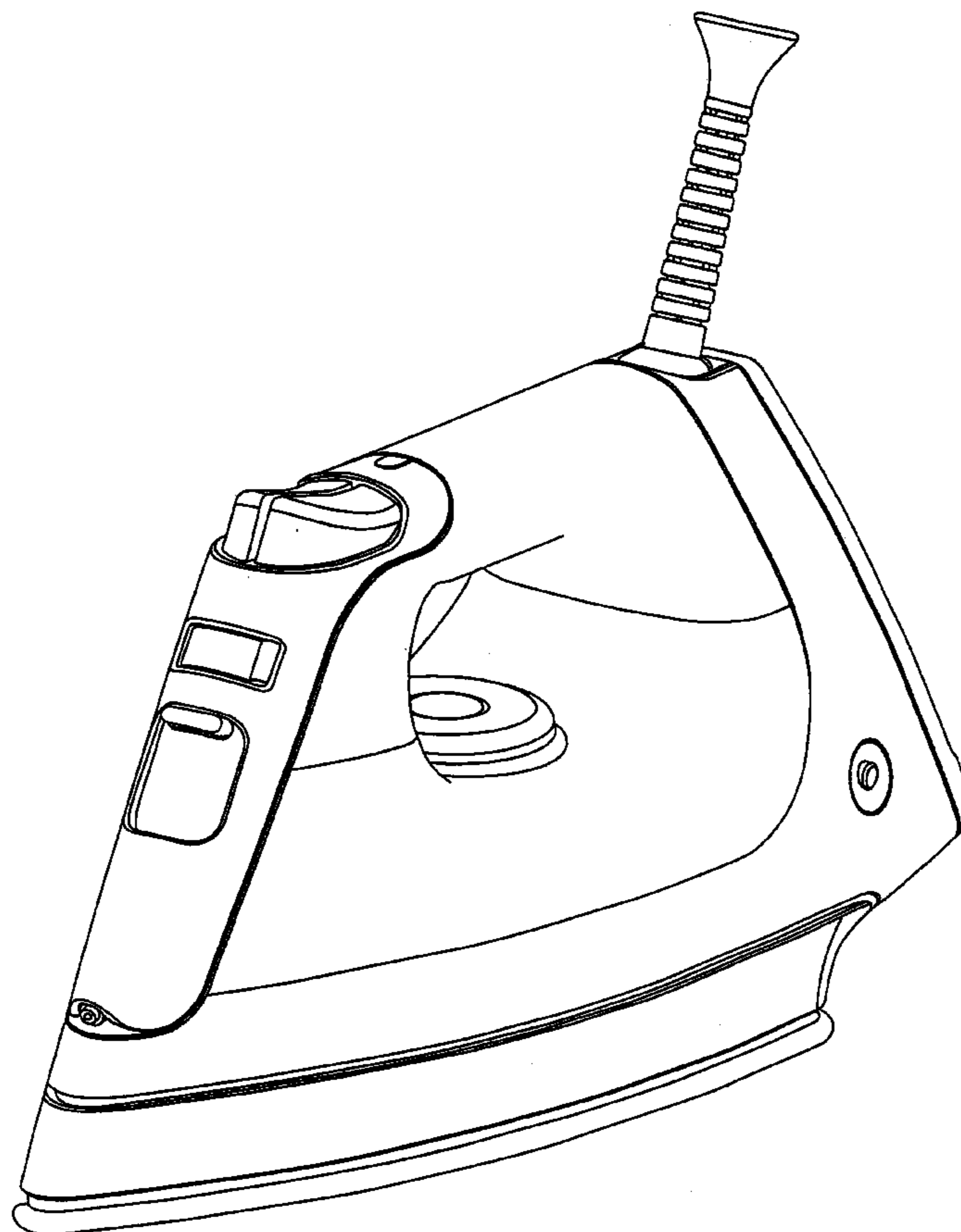
(57) **CLAIM**

The ornamental design for a steam iron, as shown.

**DESCRIPTION**

FIG. 1 is a perspective view of a steam iron in accordance with the present design;  
FIG. 2 is a left side elevational view thereof;  
FIG. 3 is a right side elevational view thereof;  
FIG. 4 is a front elevational view thereof;  
FIG. 5 is a rear elevational view thereof;  
FIG. 6 is a top plan view thereof; and,  
FIG. 7 is a bottom plan view thereof.

**1 Claim, 7 Drawing Sheets**



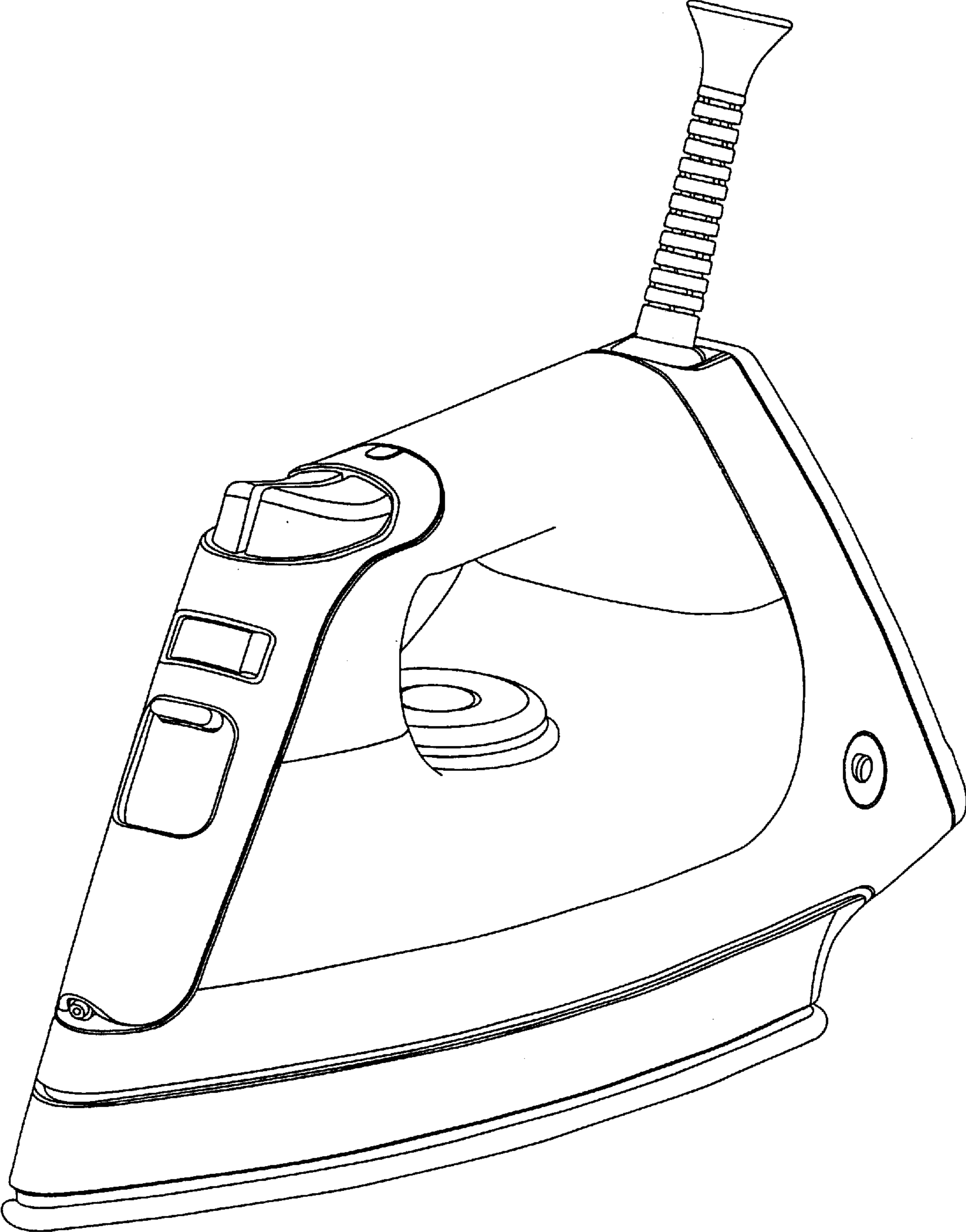


FIG. 1

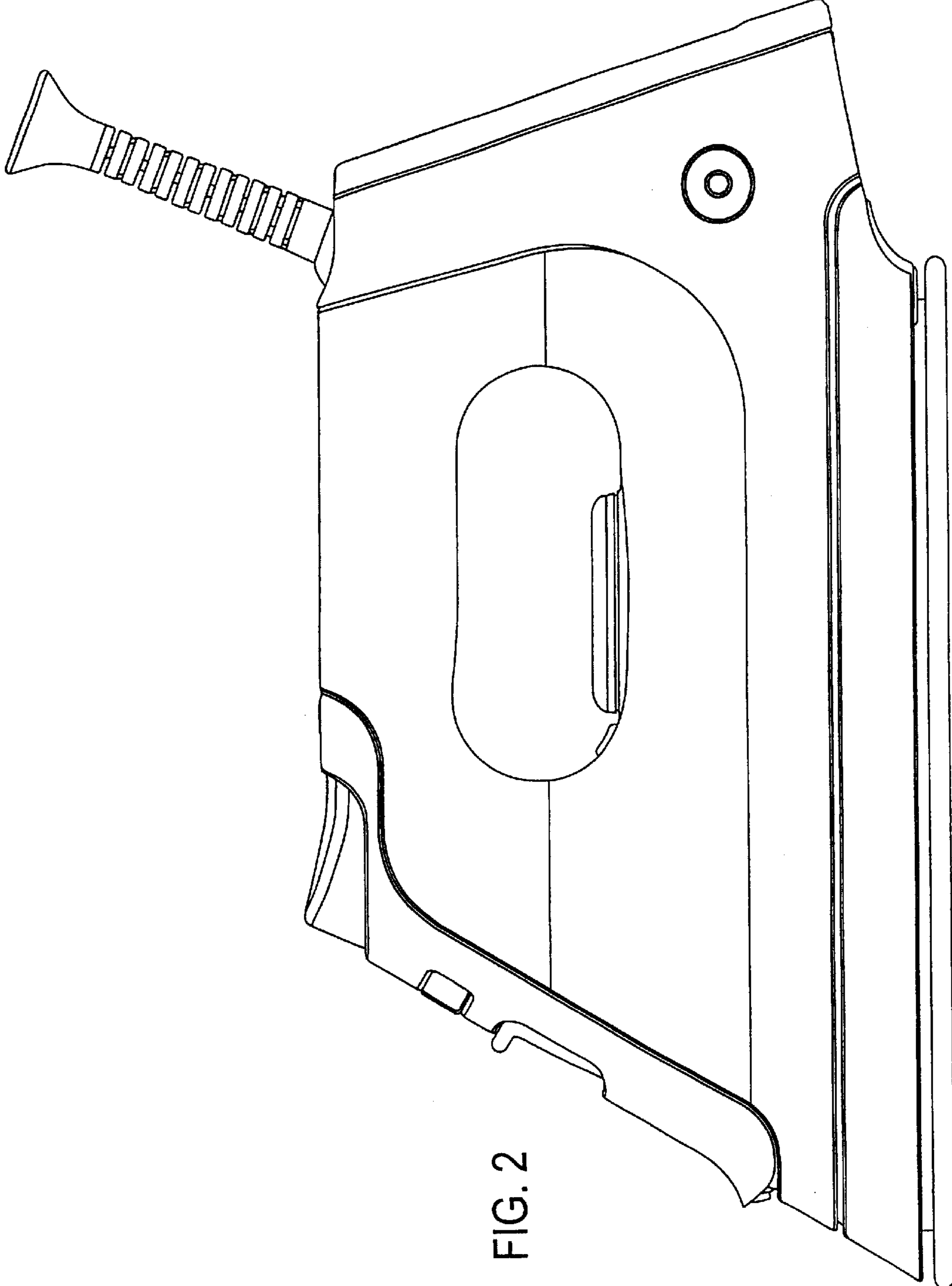
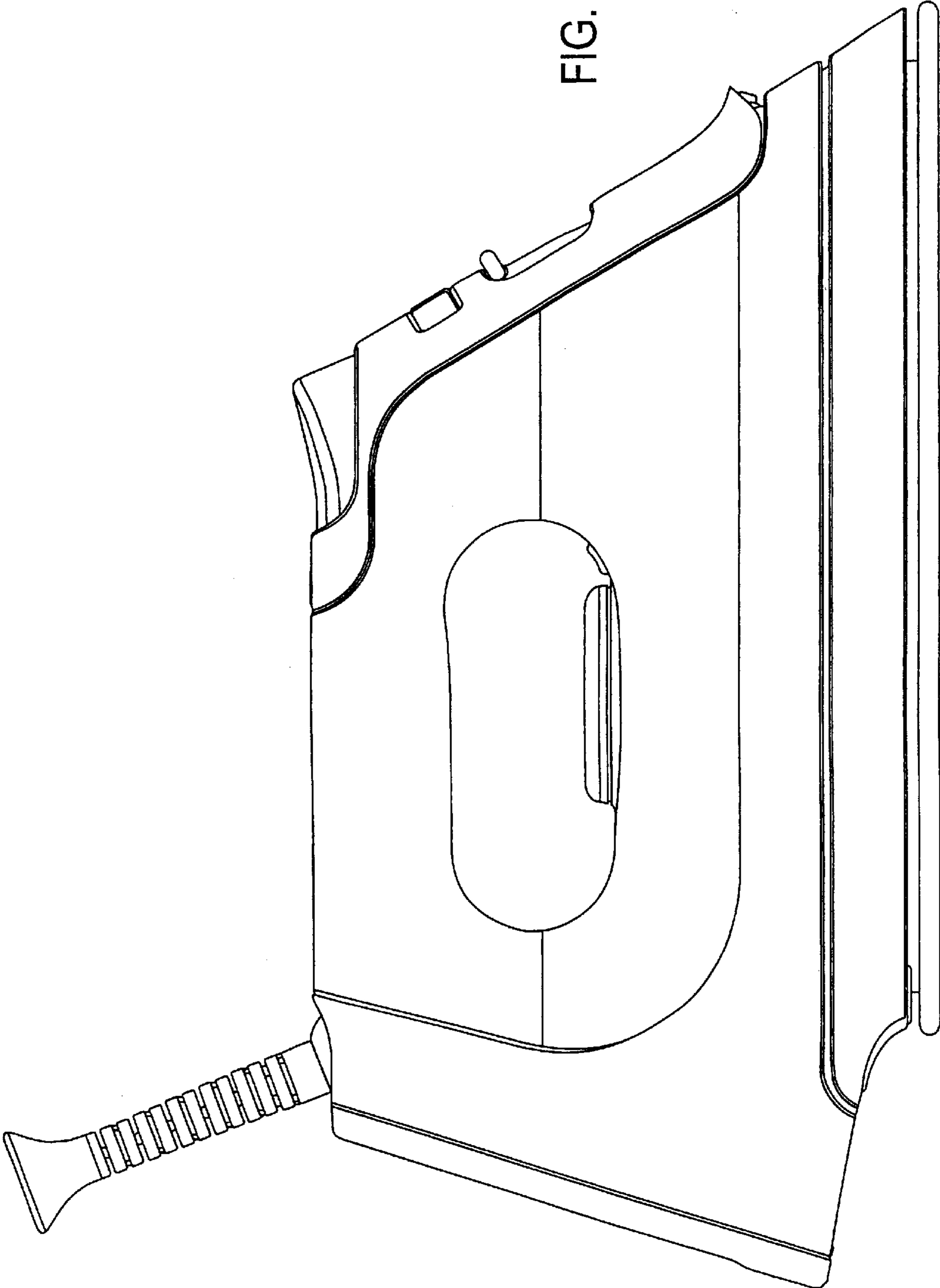


FIG. 2

FIG. 3



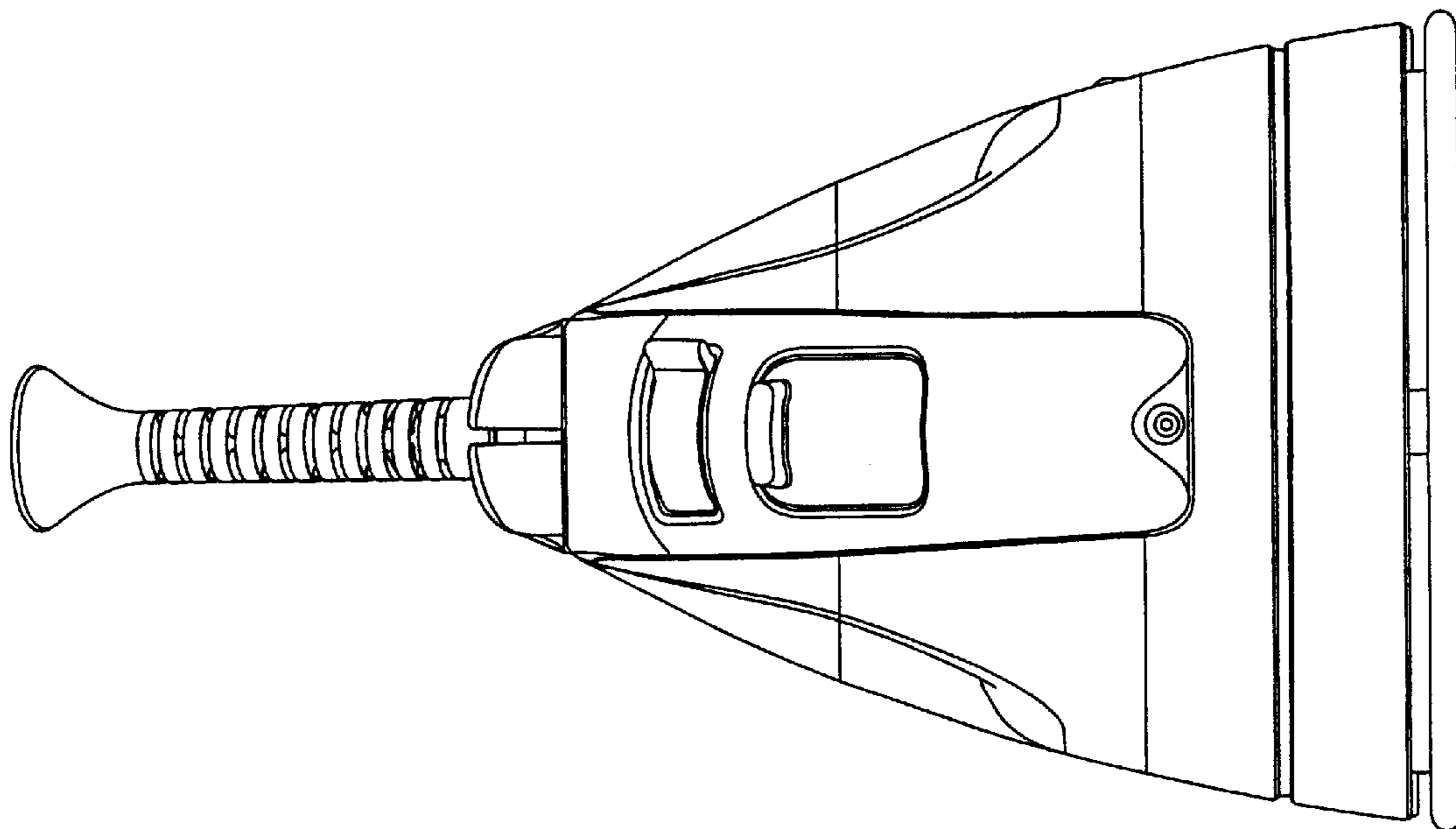


FIG. 4

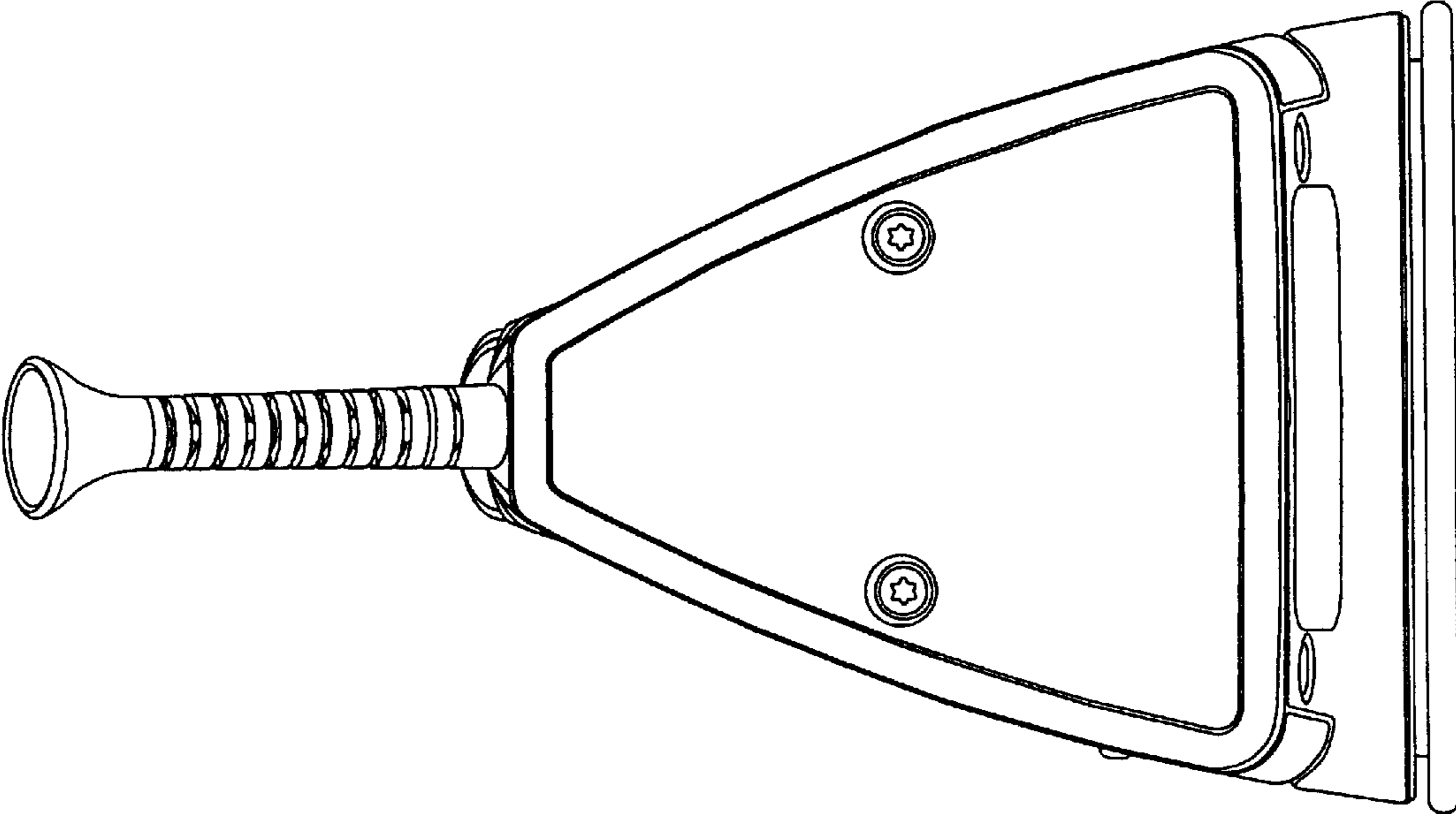


FIG. 5

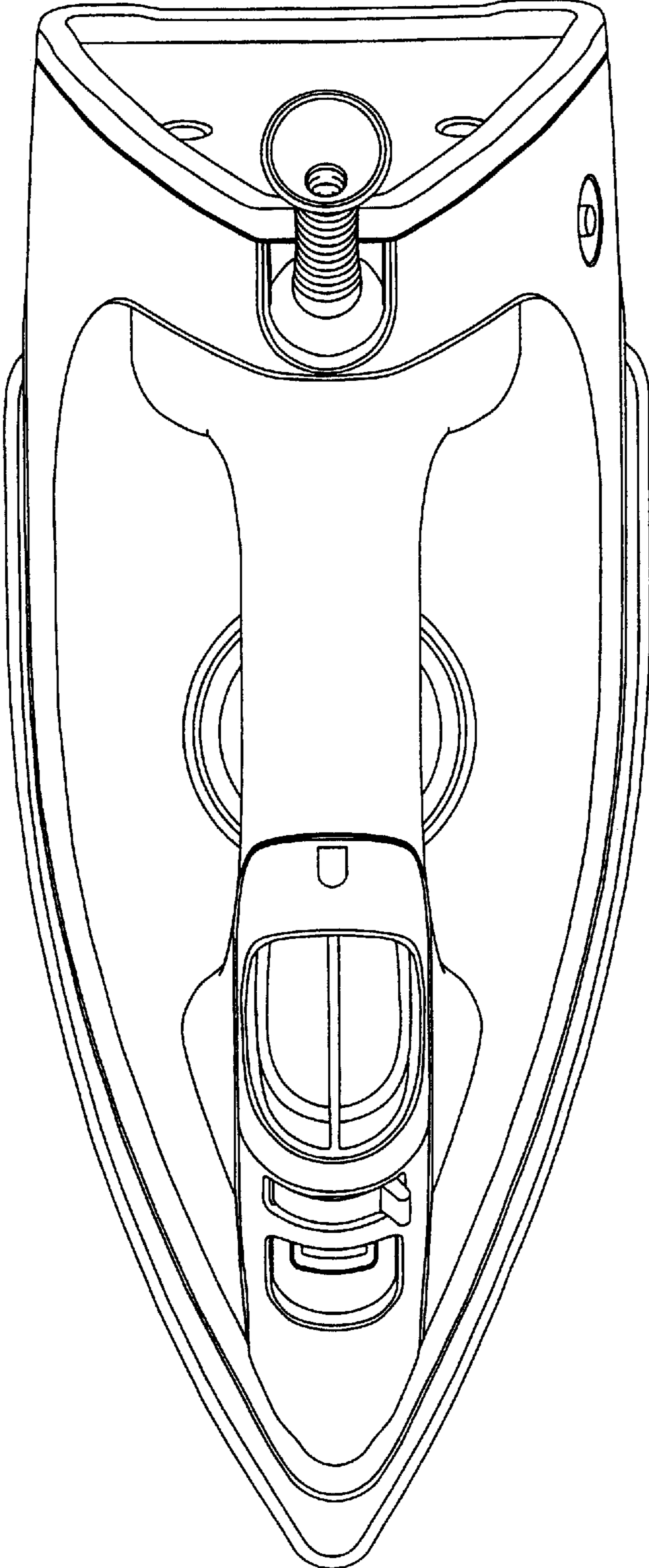


FIG. 6

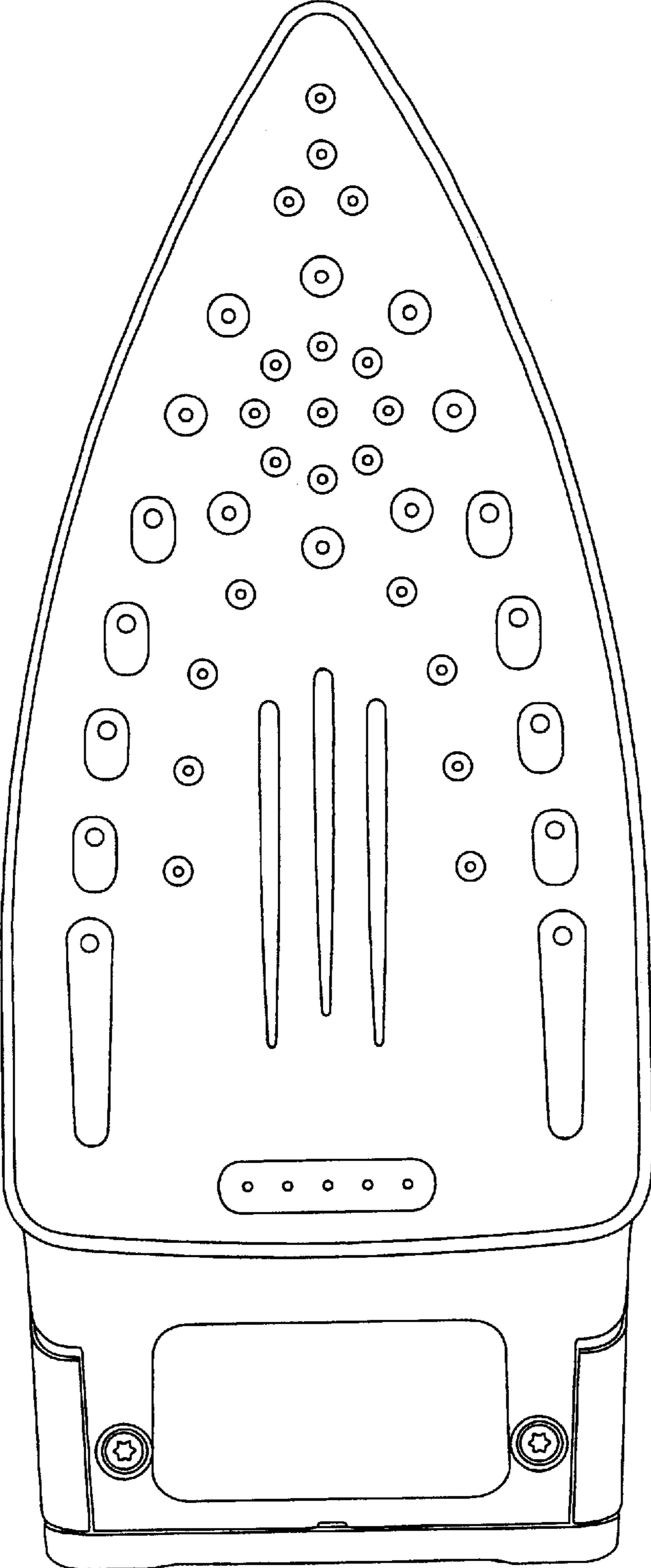


FIG. 7