

US00D511031S

(12) **United States Design Patent**
Ott et al.

(10) **Patent No.: US D511,031 S**

(45) **Date of Patent: ** *Oct. 25, 2005**

(54) **DISHWASHER**

(75) Inventors: **Thomas Ott**, Gundelfingen (DE);
Roland Vetter, Giengen-Sachsenhausen
(DE)

(73) Assignee: **BSH Bosch und Siemens Hausgerate
GmbH**, Munich (DE)

(*) Notice: This patent is subject to a terminal dis-
claimer.

(**) Term: **14 Years**

(21) Appl. No.: **29/182,518**

(22) Filed: **May 28, 2003**

(51) **LOC (8) Cl.** **15-05**

(52) **U.S. Cl.** **D32/3**

(58) **Field of Search** D32/1-3, 5, 6,
D32/8, 25, 28; D7/340, 405, 348-351;
68/212; 312/31, 228, 228.1, 204; 134/113,
201, 57 D, 57 DL, 56 D, 58 D, 58 DL

(56) **References Cited**

U.S. PATENT DOCUMENTS

D212,039 S * 8/1968 Appel et al. D32/2
4,732,431 A * 3/1988 Mason 312/109
D320,487 S * 10/1991 Marks et al. D32/3

D320,489 S * 10/1991 Marks et al. D32/3
D377,853 S * 2/1997 Sparks D32/3
D474,865 S * 5/2003 Chen D32/1
D493,581 S * 7/2004 Ott et al. D32/3
D493,582 S * 7/2004 Ott et al. D32/3

* cited by examiner

Primary Examiner—Louis S. Zarfes
Assistant Examiner—John Windmuller

(74) *Attorney, Agent, or Firm*—John T. Winburn; Russell
W. Warnoci; Craig J. Loest

(57) **CLAIM**

The ornamental design for a dishwasher, as shown and
described.

DESCRIPTION

FIG. 1 is a front perspective view of a dishwasher showing
our new design;

FIG. 2 is a left side elevational view thereof, the right side
elevational view being a mirror image thereof;

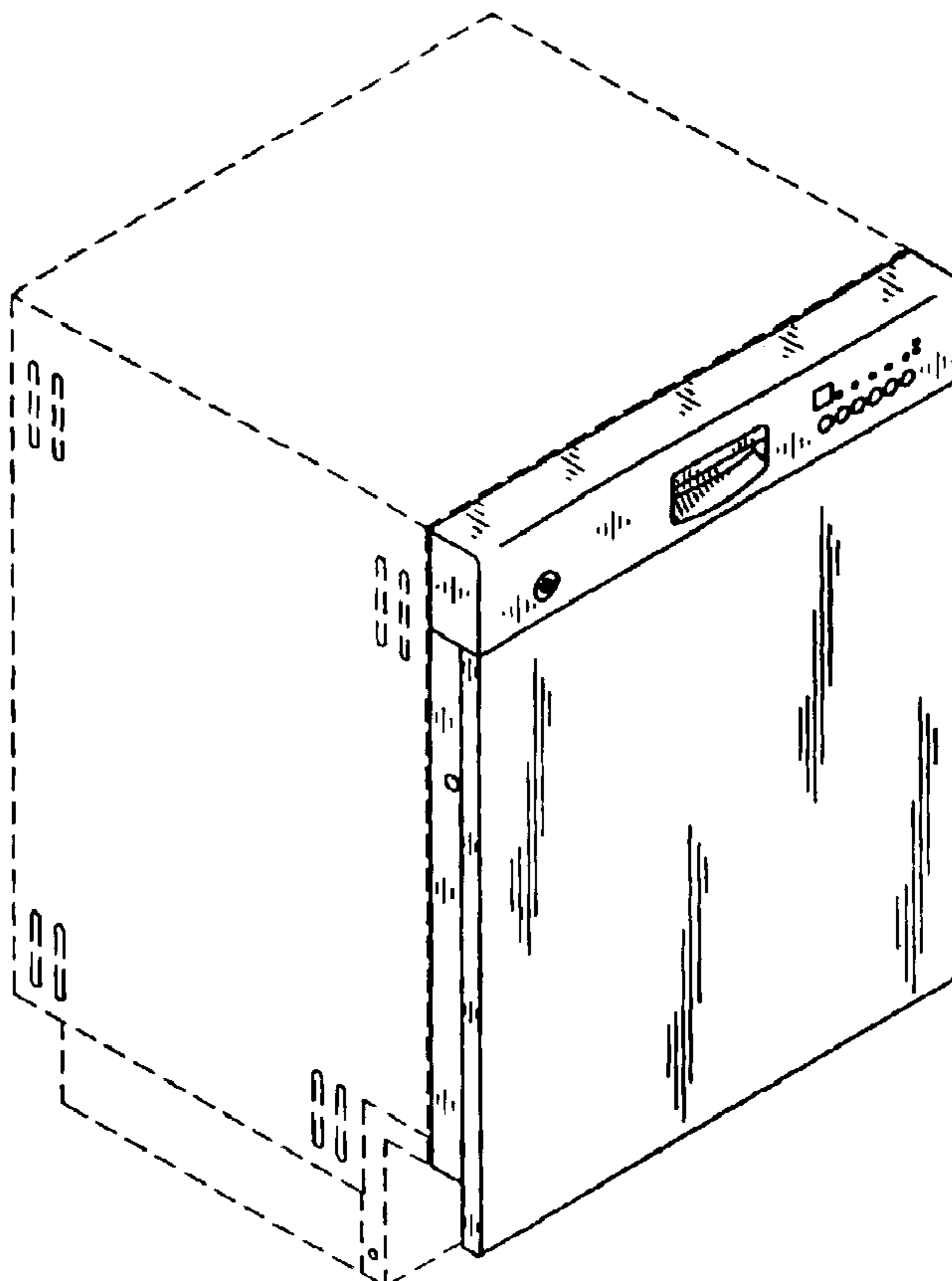
FIG. 3 is a front elevational view thereof; and,

FIG. 4 is a top plan view thereof.

The dishwasher includes a plain and unornamented rear and
bottom, which are not shown.

The broken line showing of portions of the dishwasher is for
illustrative purposes only and forms no part of the claimed
design.

1 Claim, 2 Drawing Sheets



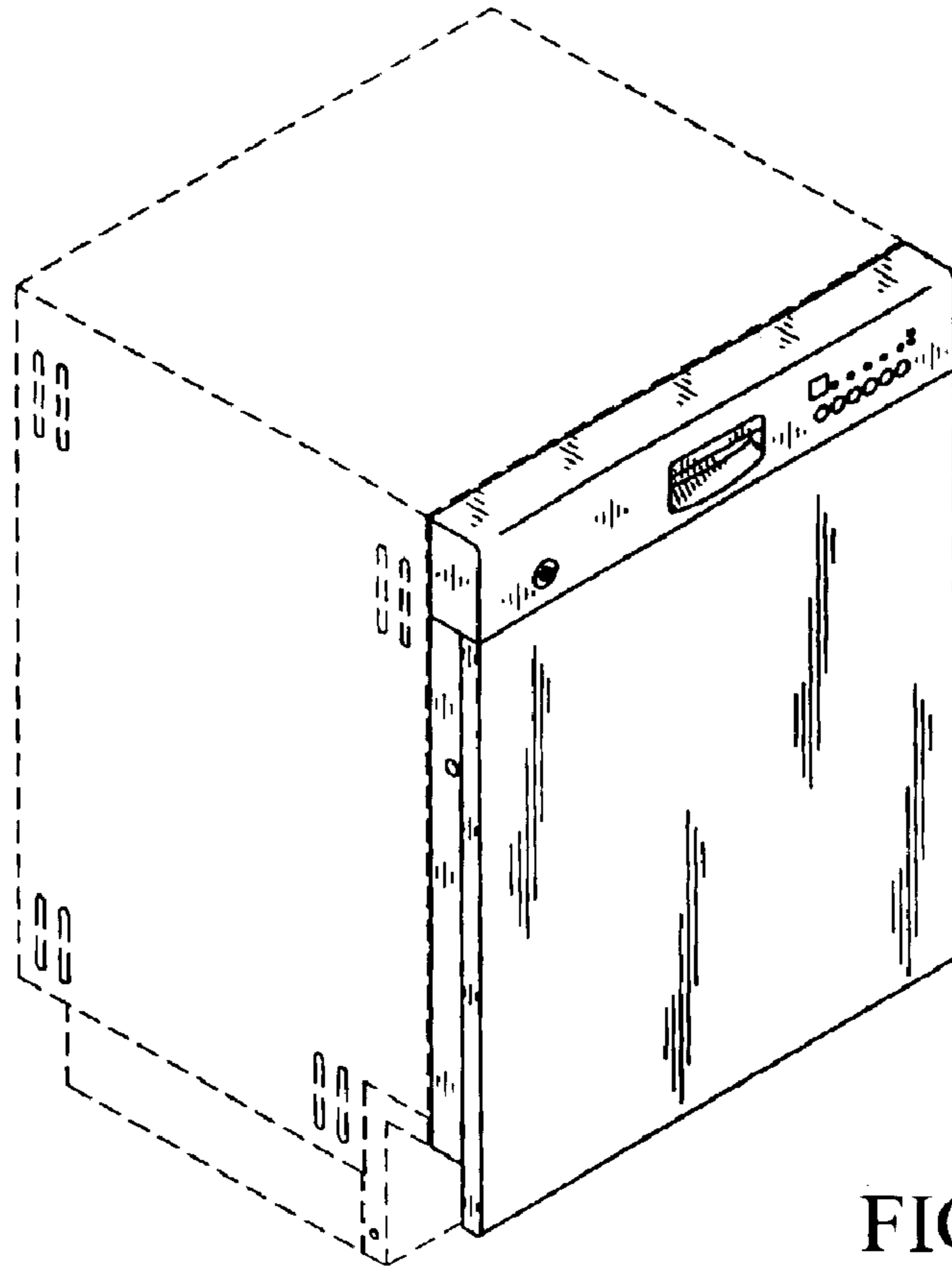


FIG. 1

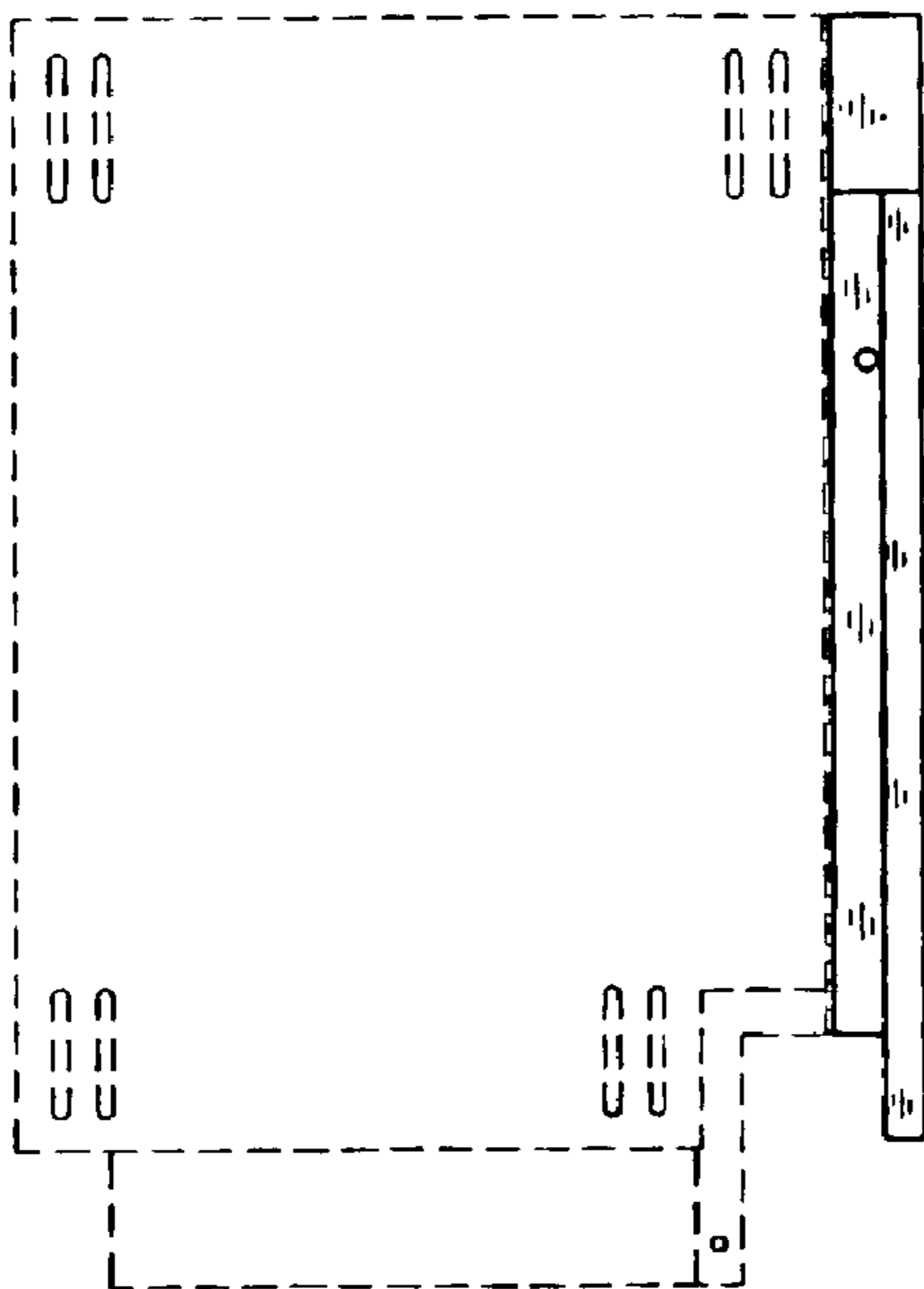


FIG. 2

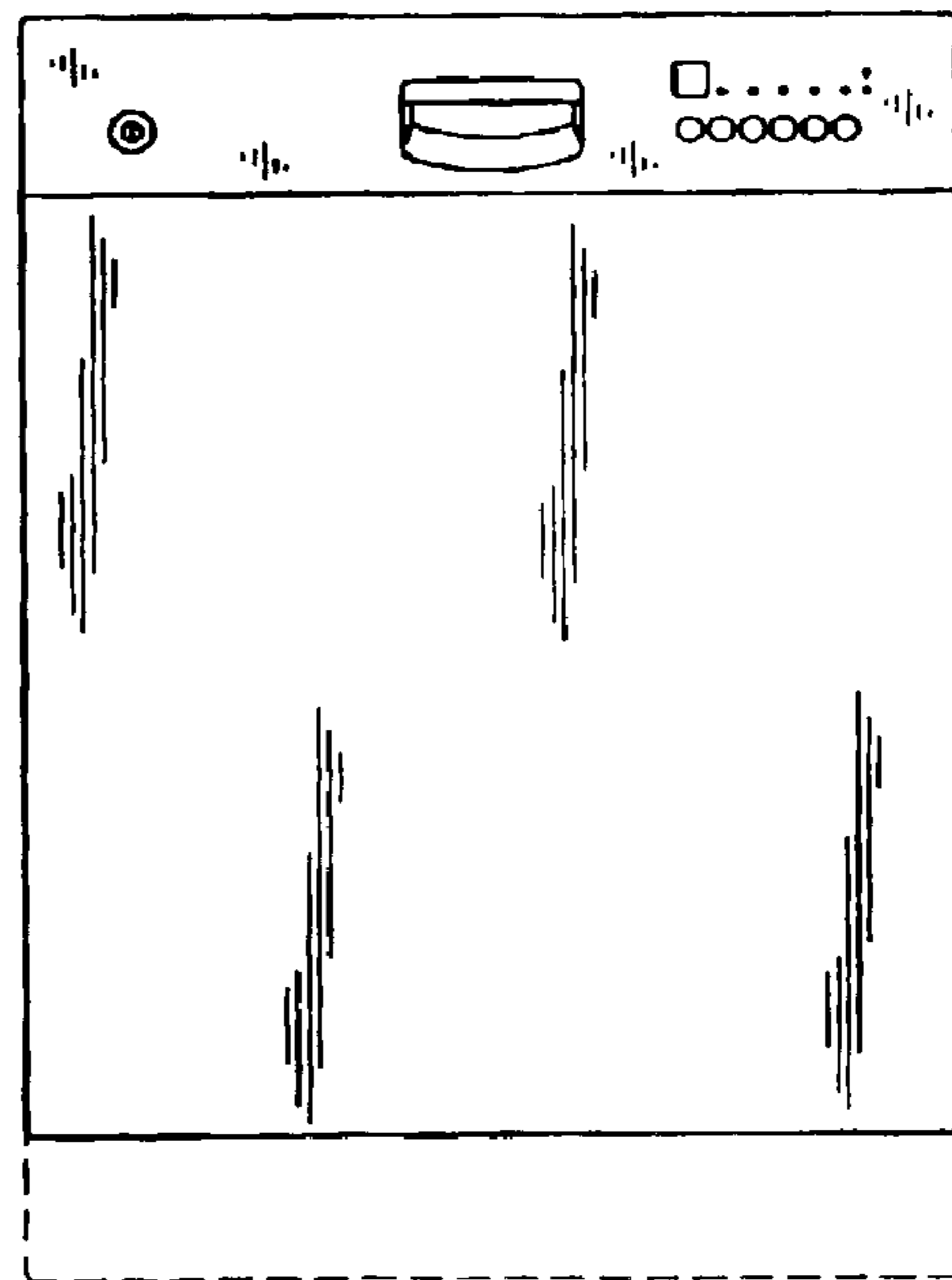


FIG. 3

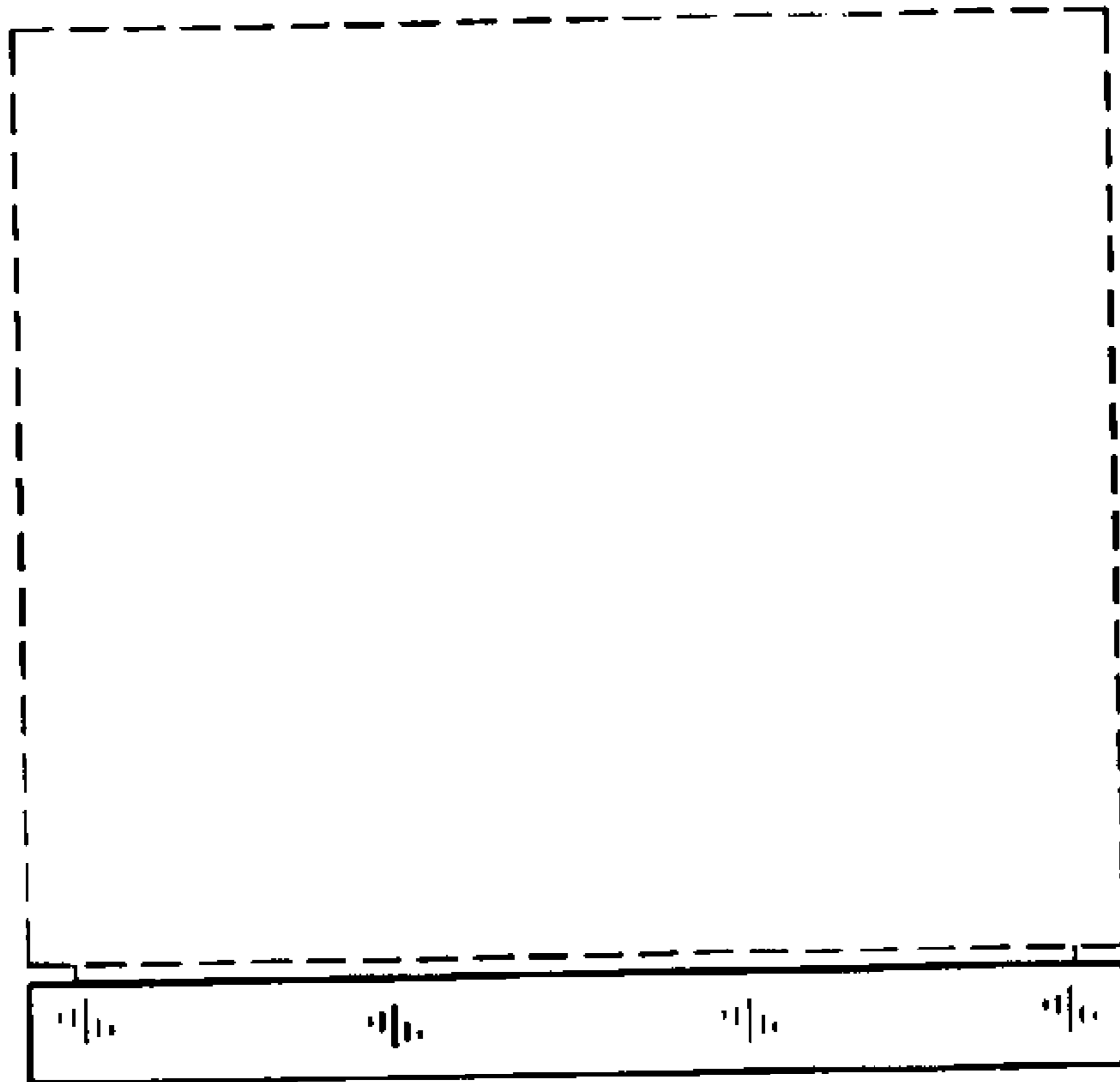


FIG. 4