

US00D511023S

(12) **United States Design Patent**
Cho

(10) **Patent No.:** **US D511,023 S**

(45) **Date of Patent:** **** Oct. 25, 2005**

(54) **HEATER FOR HAIR CURLER**

(76) **Inventor:** **Ok-Nam Cho**, 791-1987, Mia-1-dong, Gangbuk-gu, Seoul (KR)

(**) **Term:** **14 Years**

(21) **Appl. No.:** **29/181,597**

(22) **Filed:** **May 13, 2003**

(51) **LOC (8) Cl.** **28-03**

(52) **U.S. Cl.** **D28/35**

(58) **Field of Search** D28/35, 37, 38;
219/222, 225, 226; 132/223-229, 269

(56) **References Cited**

U.S. PATENT DOCUMENTS

6,526,988 B2 * 3/2003 Takehana 132/226

* cited by examiner

Primary Examiner—Jennifer Rivard
(74) *Attorney, Agent, or Firm*—Mathews, Collins, Shepherd & McKay, P.A.

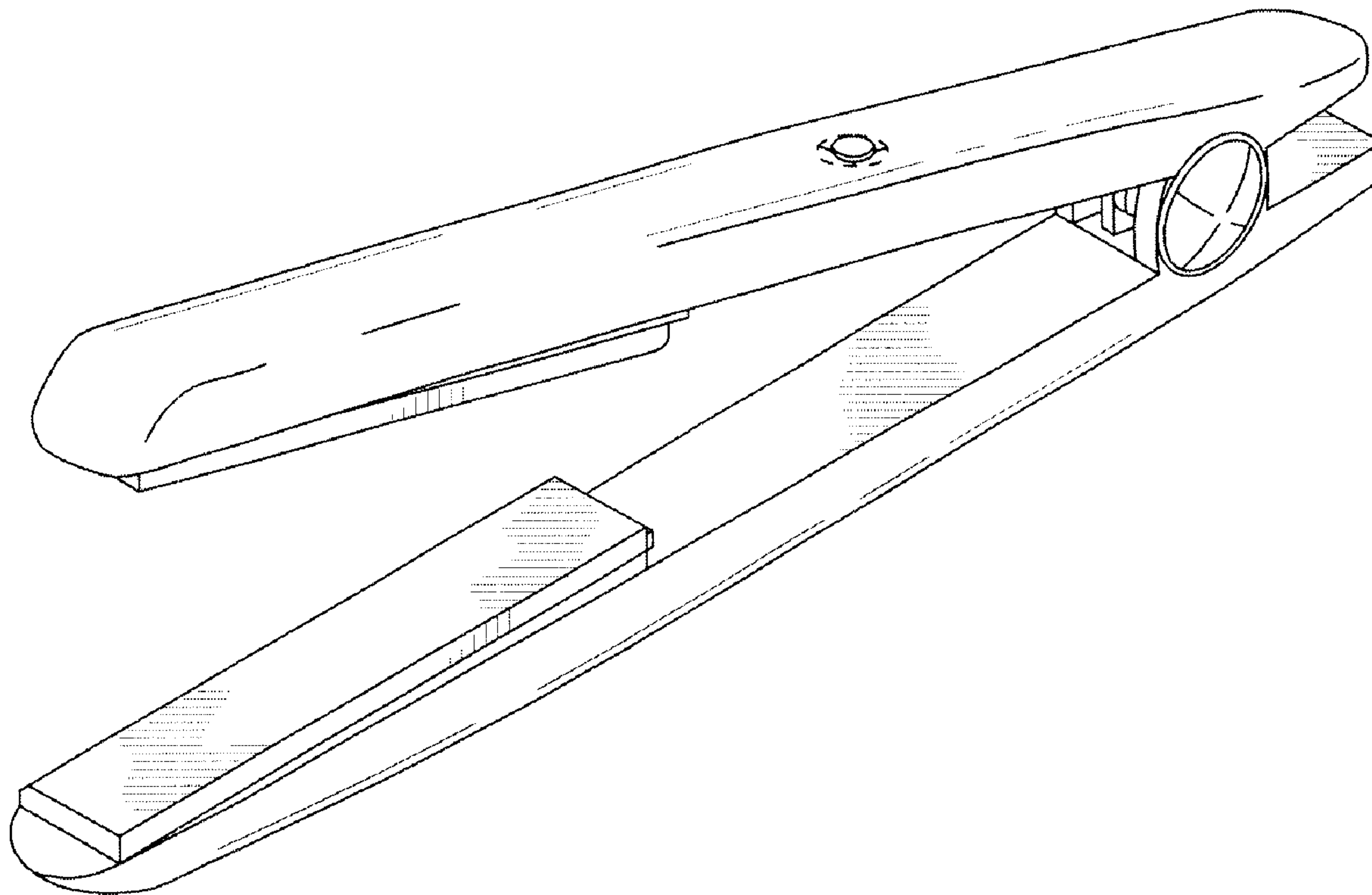
(57) **CLAIM**

The ornamental design for a heater for hair curler, as shown and described.

DESCRIPTION

FIG. 1 is a perspective view, showing my new design;
FIG. 2 is a front view thereof;
FIG. 3 is a rear view thereof;
FIG. 4 is a left side elevational view thereof;
FIG. 5 is a right side elevational view thereof;
FIG. 6 is a top plan view thereof; and,
FIG. 7 is a bottom plan view thereof.

1 Claim, 5 Drawing Sheets



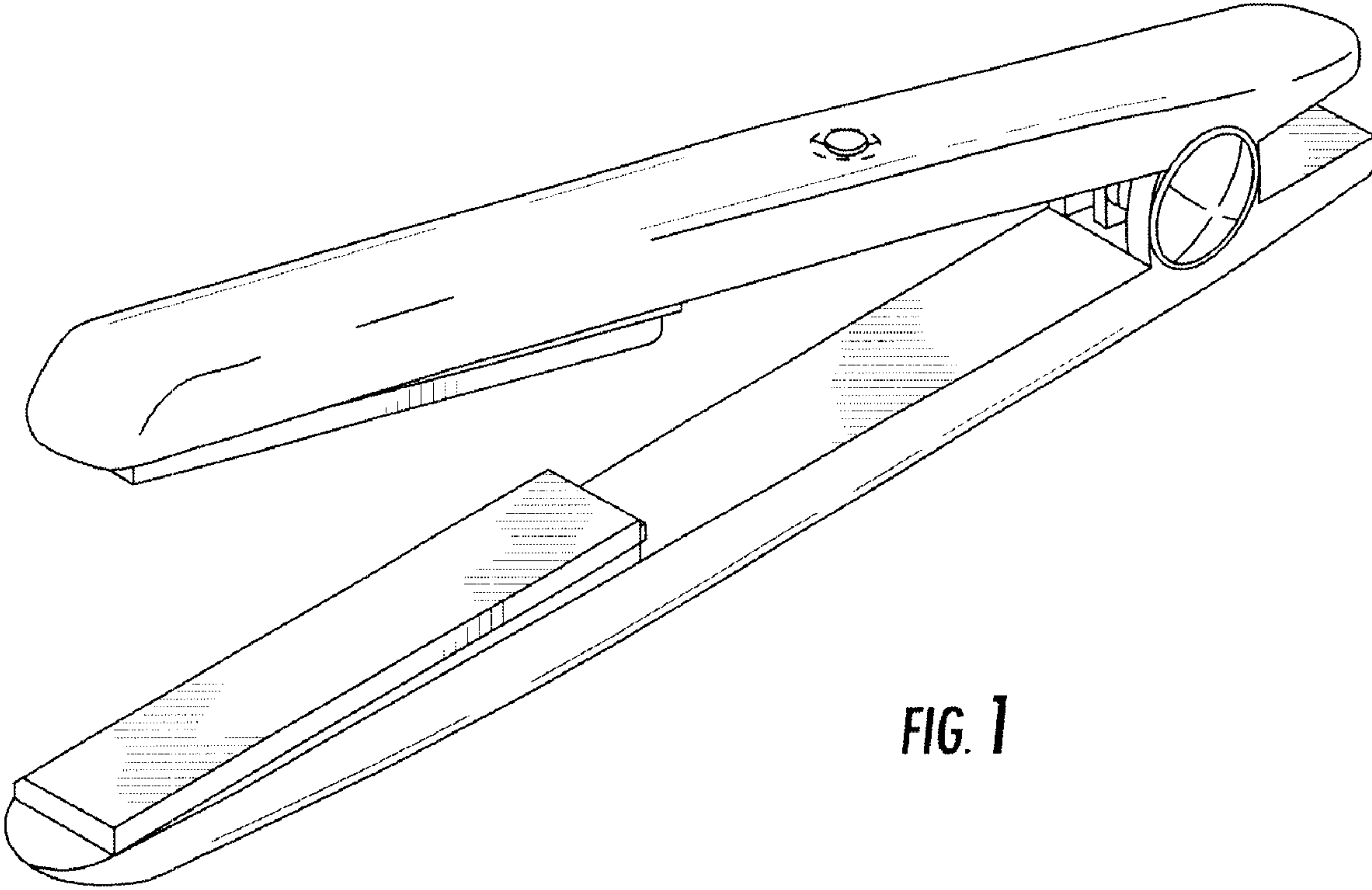


FIG. 1

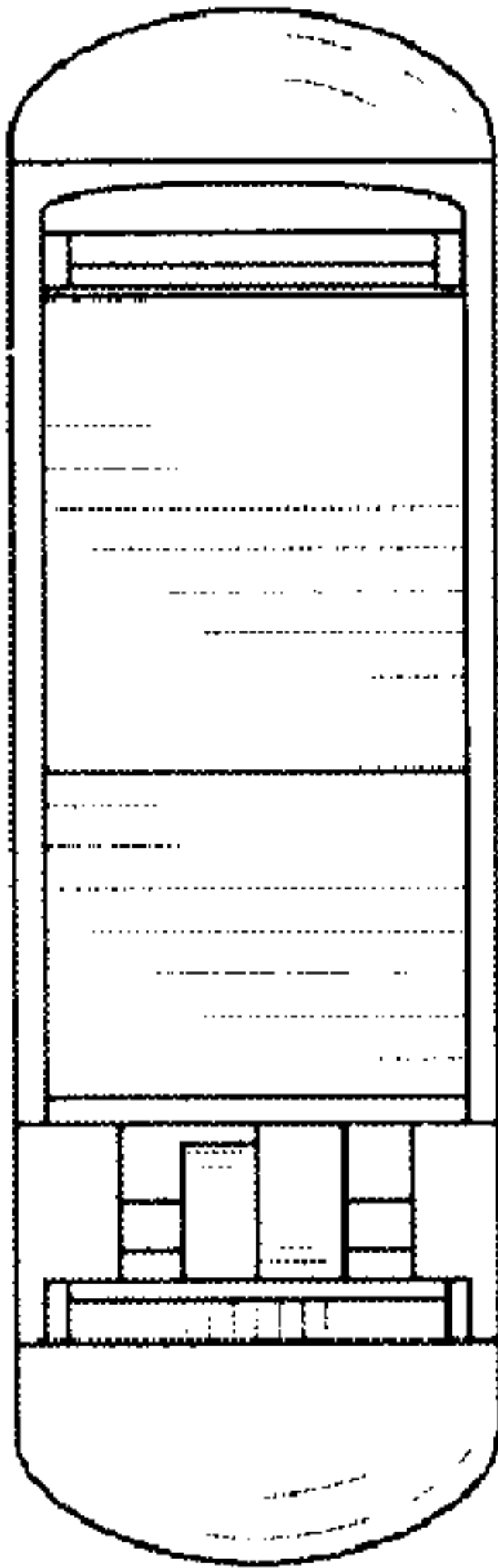


FIG. 2

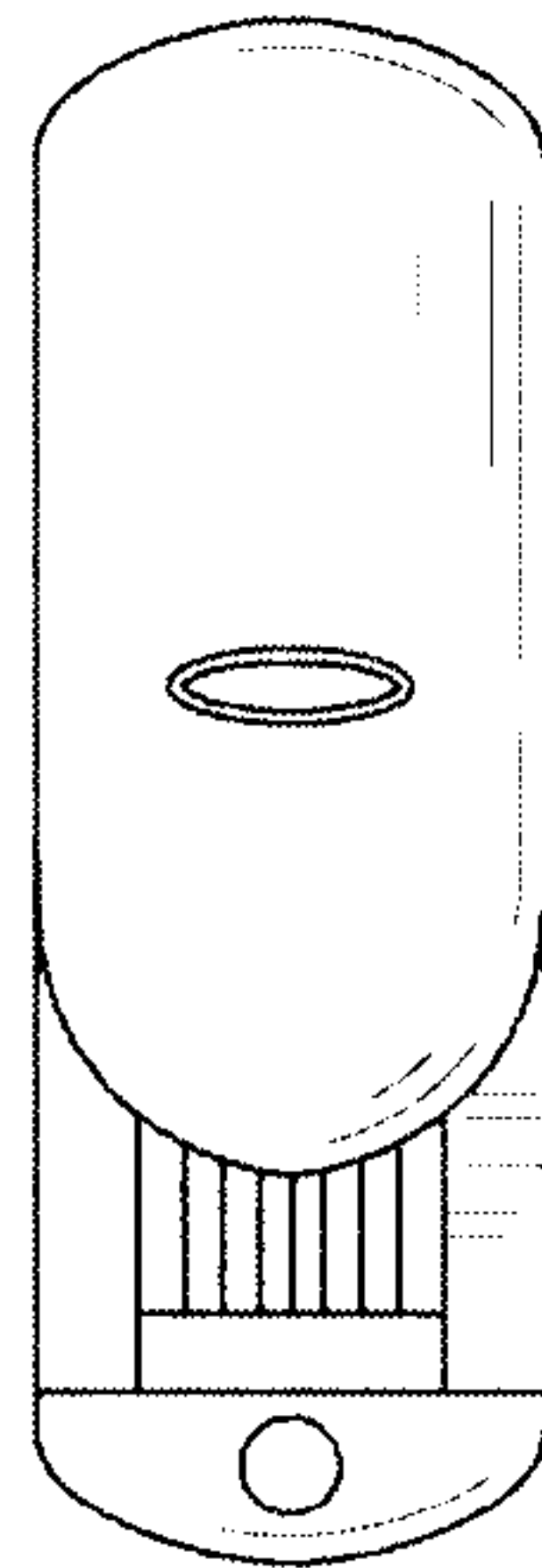


FIG. 3

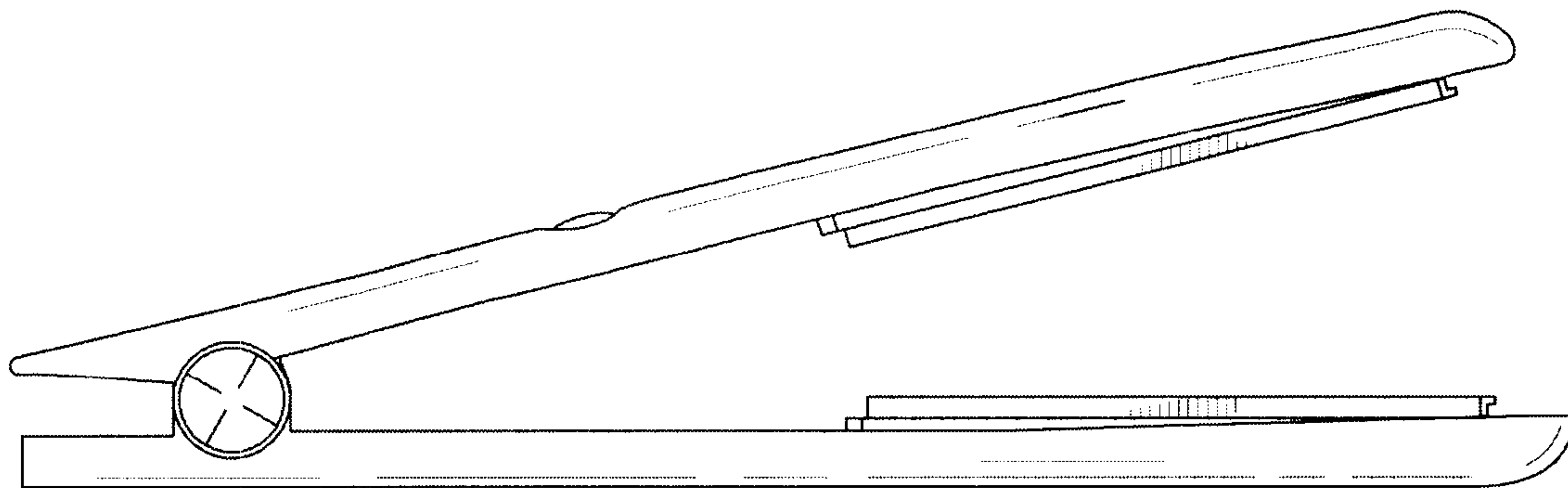


FIG. 4

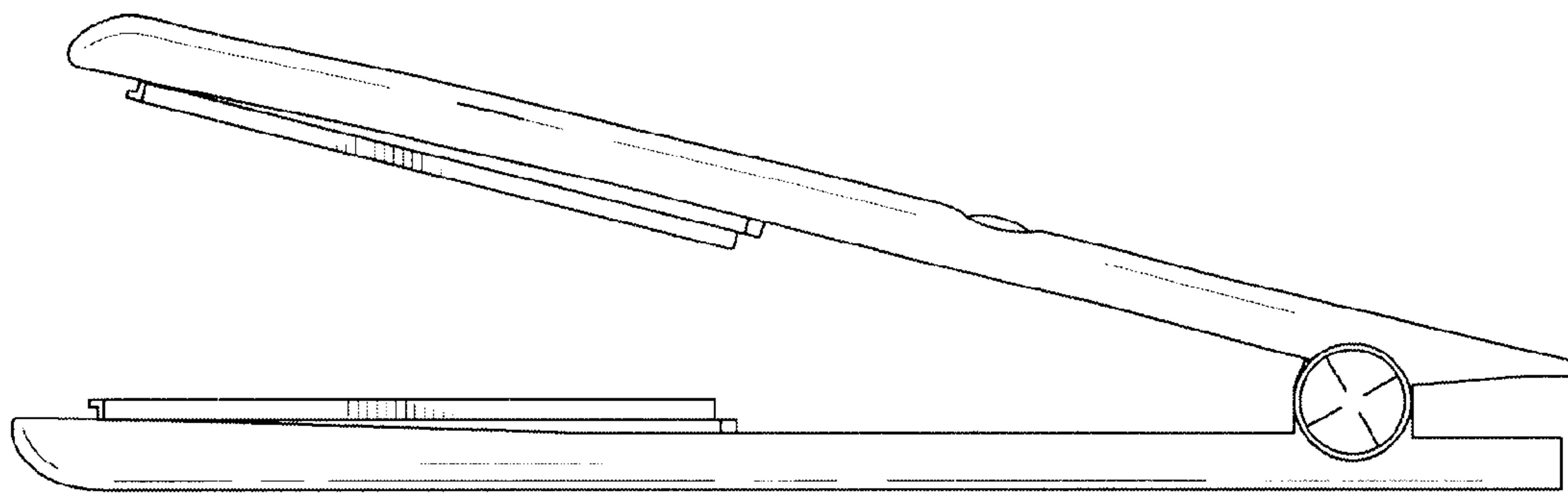


FIG. 5

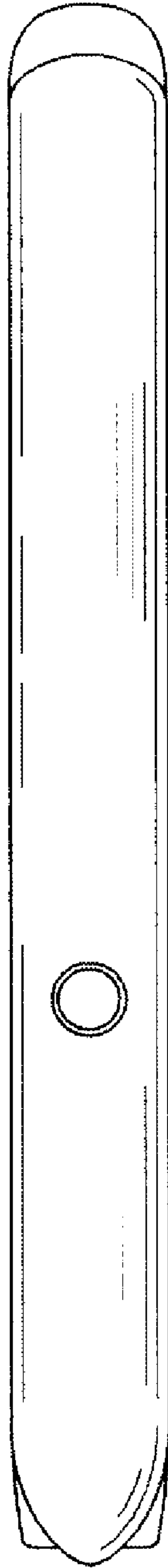


FIG. 6

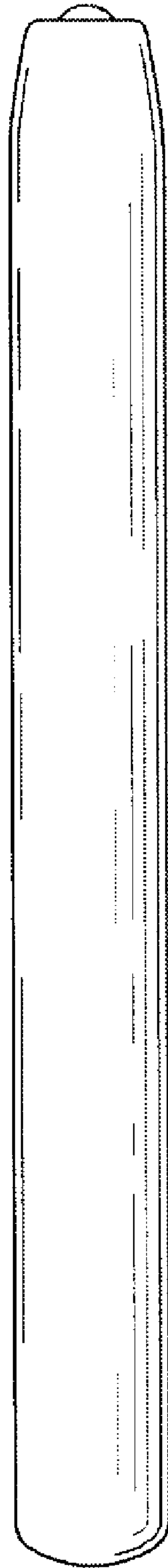


FIG. 7