



US00D511021S

(12) **United States Design Patent**  
**Angeletta**

(10) **Patent No.:** **US D511,021 S**

(45) **Date of Patent:** **\*\* Oct. 25, 2005**

(54) **LIQUID AND LOTION APPLICATOR STRUCTURE**

(76) **Inventor:** **Joseph G. Angeletta**, 418 Fifth St.,  
Mamaroneck, NY (US) 10543

(\*\*) **Term:** **14 Years**

(21) **Appl. No.:** **29/187,917**

(22) **Filed:** **Aug. 8, 2003**

(51) **LOC (8) Cl.** ..... **28-02**

(52) **U.S. Cl.** ..... **D28/7**

(58) **Field of Search** ..... D28/7, 63; D24/119;  
D4/114, 137, 138, 116; D32/45, 51; 132/320,  
317; 401/6, 187, 202-207, 261-266, 196,  
139; 15/244.1, 104.94, 209.1, 210.1

(56) **References Cited**

**U.S. PATENT DOCUMENTS**

D310,754 S	*	9/1990	Gingras	.....	D4/138
D313,553 S	*	1/1991	Lewis, Jr.	.....	D28/7
5,322,382 A	*	6/1994	Hull et al.	.....	401/131
5,454,659 A	*	10/1995	Vosbikian et al.	.....	401/207
D392,104 S	*	3/1998	Berti	.....	D4/138

D417,033 S	*	11/1999	Sachs et al.	.....	D28/7
D434,525 S	*	11/2000	Angeletta	.....	D28/7
D445,954 S	*	7/2001	Angeletta	.....	D28/7
D461,279 S	*	8/2002	Angeletta	.....	D28/7
D481,167 S	*	10/2003	Angeletta	.....	D28/7

\* cited by examiner

*Primary Examiner*—Lucy Lieberman

(74) *Attorney, Agent, or Firm*—Scully, Scott, Murphy & Presser

(57) **CLAIM**

The ornamental design for a liquid and lotion applicator structure, as shown and described.

**DESCRIPTION**

FIG. 1 illustrates a side and bottom perspective view of a liquid and lotion applicator structure showing my new design;

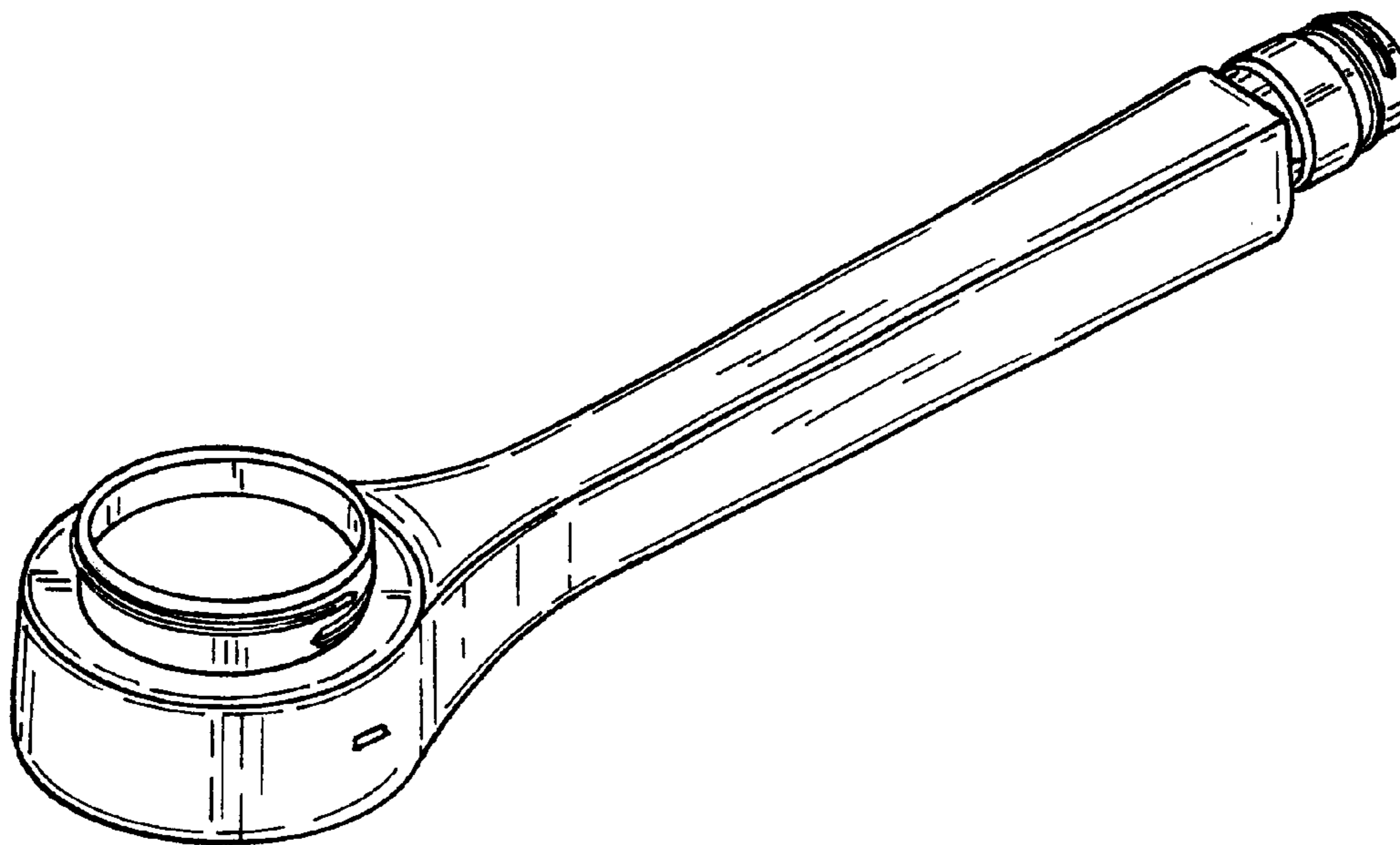
FIG. 2 illustrates an opposite side and top perspective view thereof;

FIG. 3 illustrates a top plan view thereof;

FIG. 4 illustrates a side view thereof; and,

FIG. 5 illustrates a bottom plan view thereof.

**1 Claim, 1 Drawing Sheet**



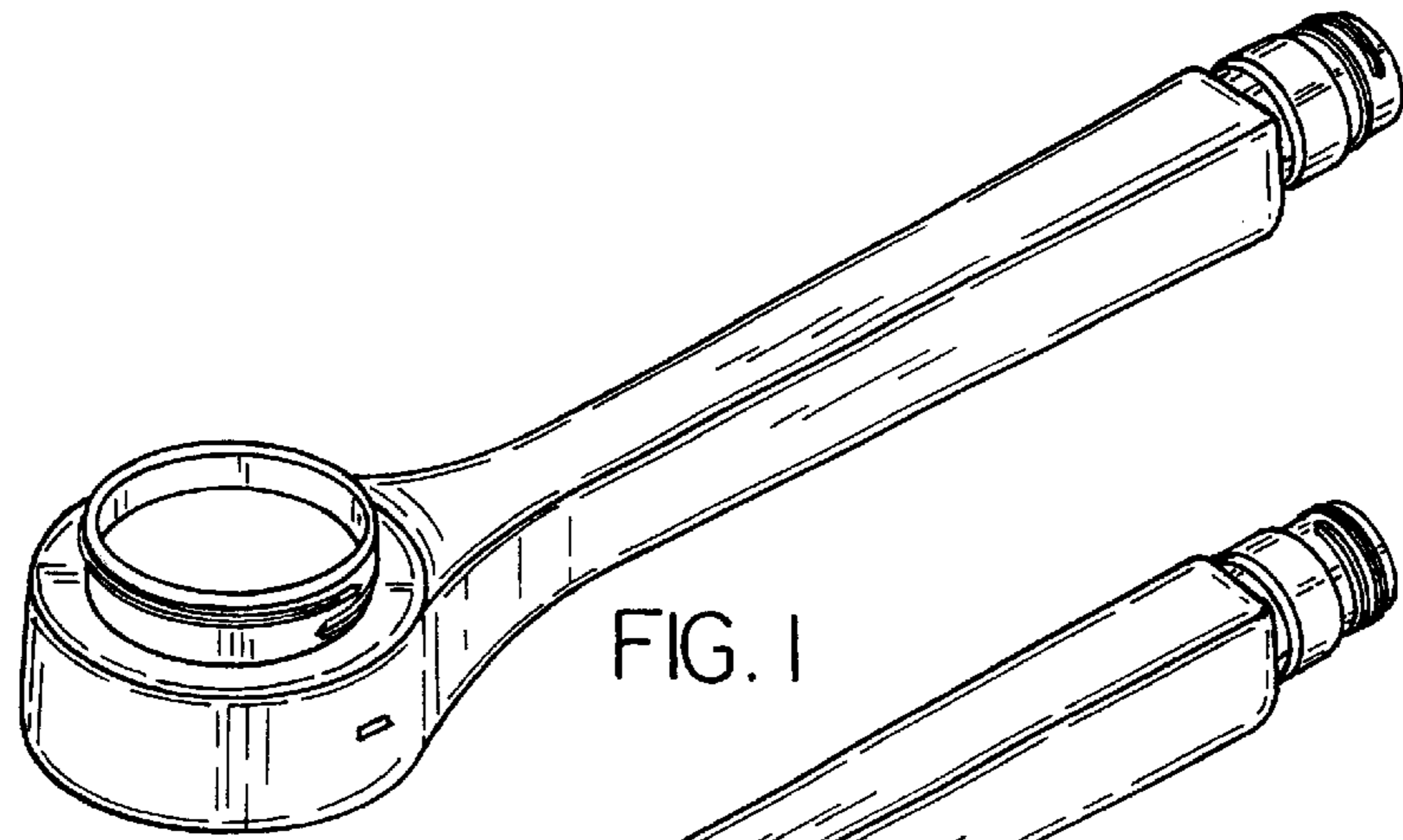


FIG. 1

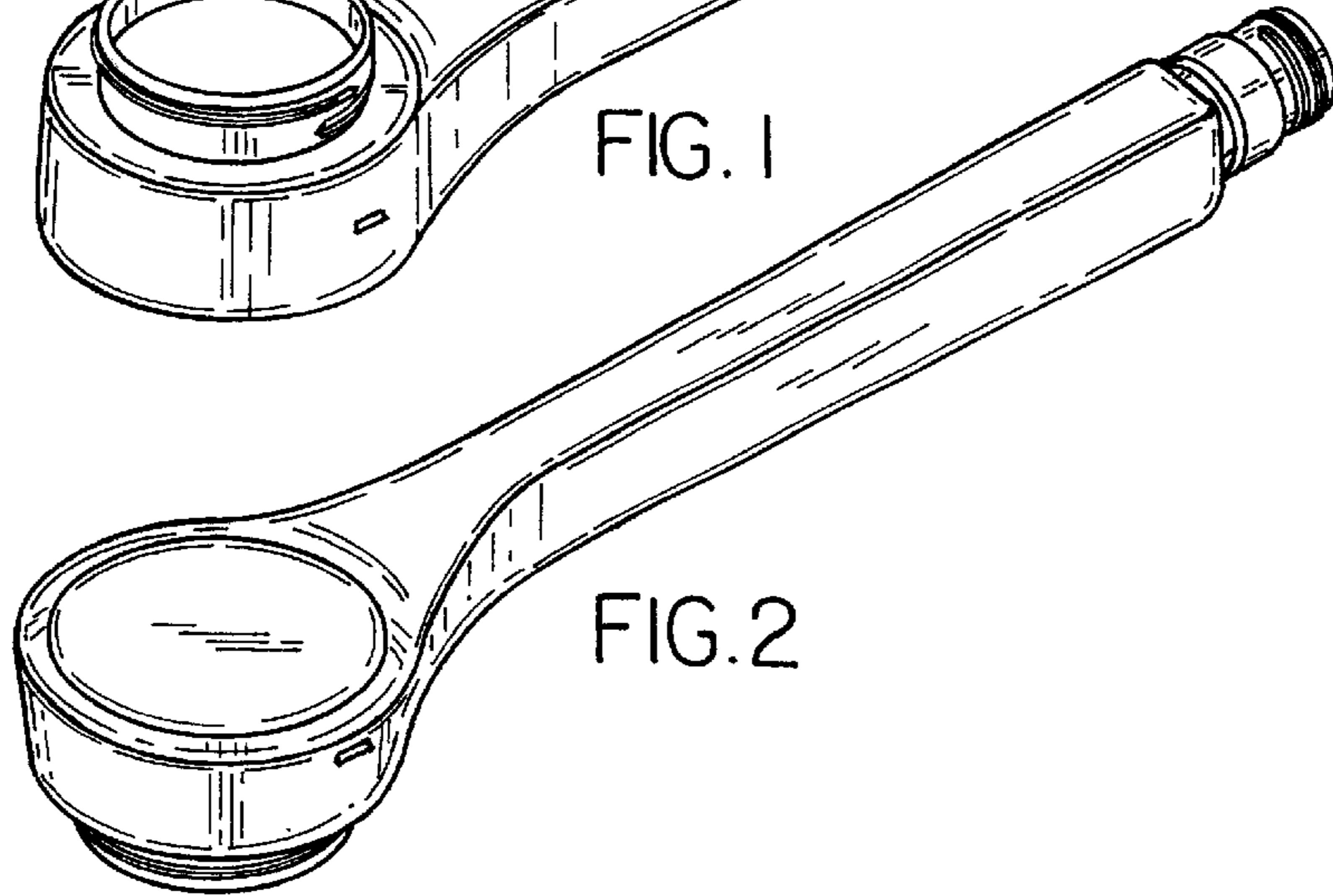


FIG. 2

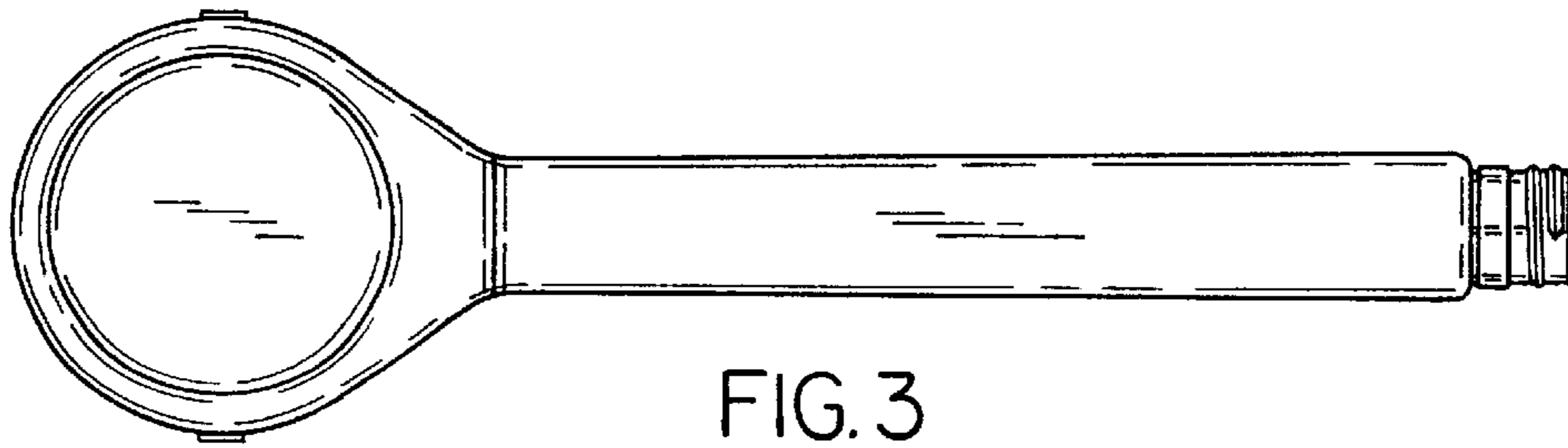


FIG. 3

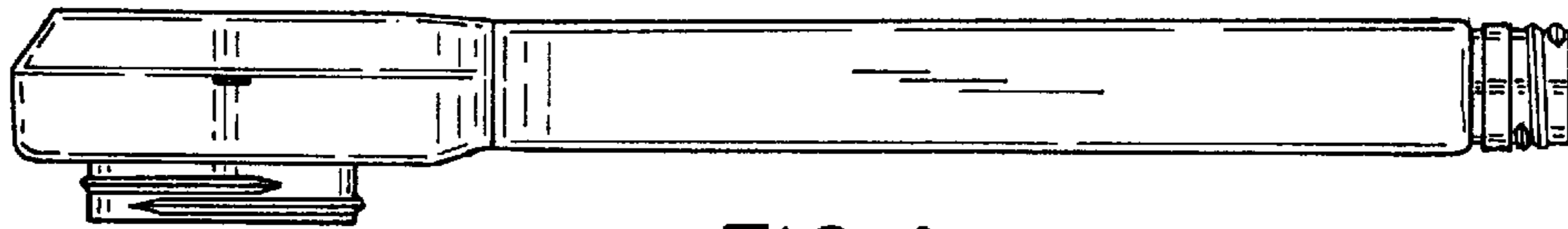


FIG. 4

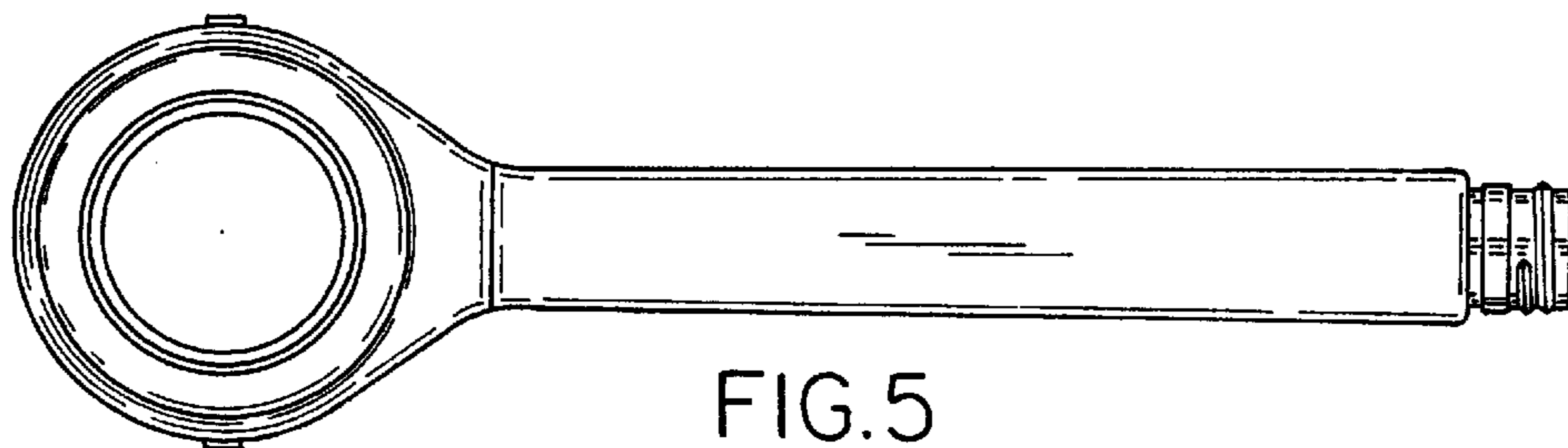


FIG. 5