

US00D511017S

(12) **United States Design Patent**
Chang

(10) **Patent No.: US D511,017 S**

(45) **Date of Patent: ** Oct. 25, 2005**

(54) **USB LIGHT HEAD WITH FAN**

(76) Inventor: **Shui-Sheng Chang**, 3F, 13, Lane 155,
Sec.3, Pechen Road, Shenkeng, Taipei
Hsien (TW)

(**) Term: **14 Years**

(21) Appl. No.: **29/192,636**

(22) Filed: **Oct. 29, 2003**

(51) **LOC (8) Cl.** **26-05**

(52) **U.S. Cl.** **D26/51; D14/432**

(58) **Field of Search** D26/51, 60-66;
362/282, 283, 284, 285, 413, 418, 419,
427-428

(56) **References Cited**

U.S. PATENT DOCUMENTS

D381,978 S * 8/1997 Nakada et al. D14/432
D498,320 S * 11/2004 Leung D26/51

* cited by examiner

Primary Examiner—Marcus A. Jackson

(74) *Attorney, Agent, or Firm*—Troxell Law Office, PLLC

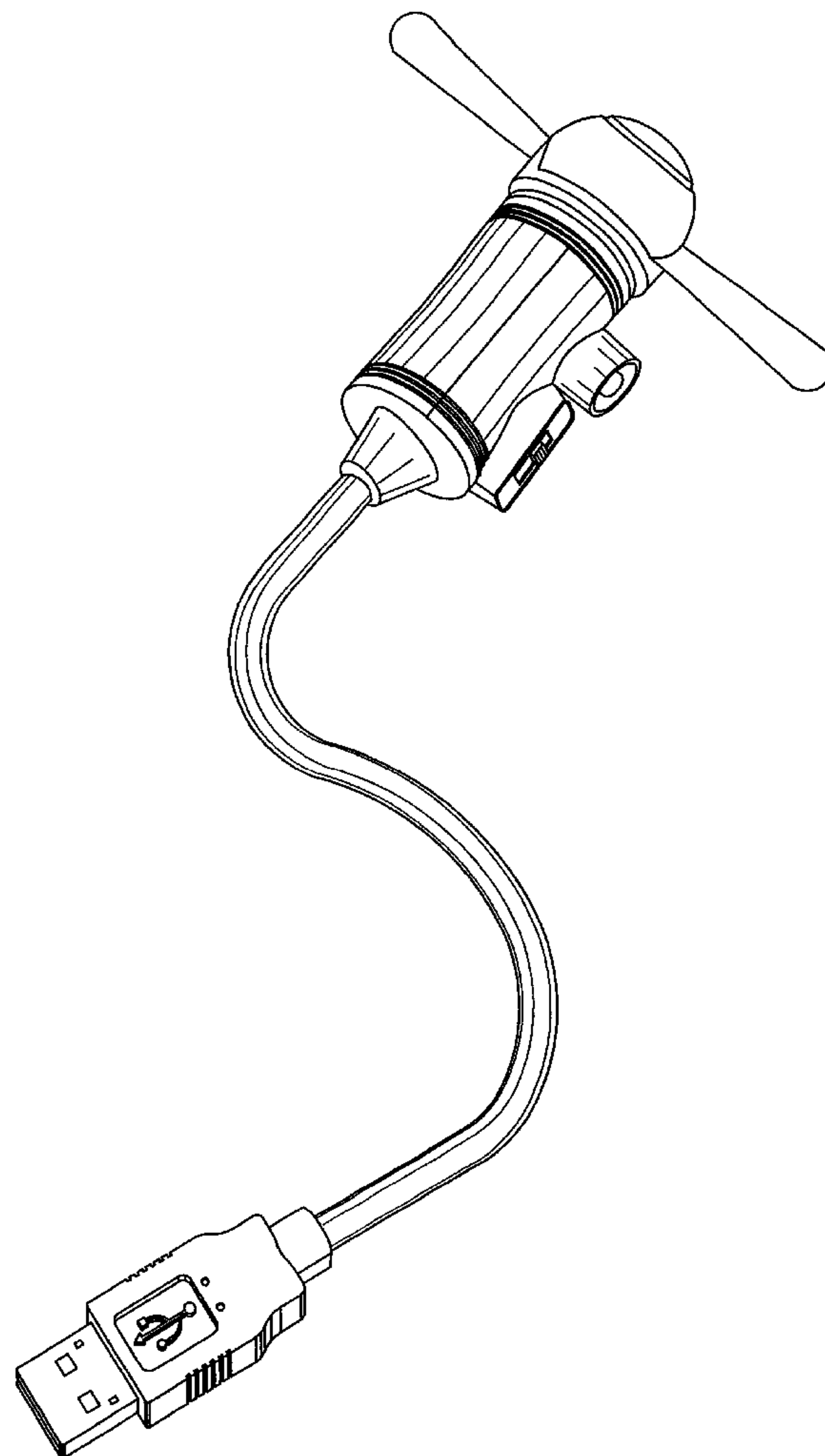
(57) **CLAIM**

The ornamental design for USB light head with fan, as shown and described.

DESCRIPTION

FIG. 1 is a top front and left side perspective view of USB light head with fan showing my new design, with the bottom portion broken away for ease of illustration; FIG. 2 is a front elevational view thereof; FIG. 3 is a rear elevational view thereof; FIG. 4 is a left side elevational view thereof; FIG. 5 is a right side elevational view thereof; FIG. 6 is a top plan view thereof; and, FIG. 7 is a bottom plan view thereof; and, FIG. 8 is a top front and left side perspective view of USB light head with fan embodiment attached a tube and USB plug.

1 Claim, 3 Drawing Sheets



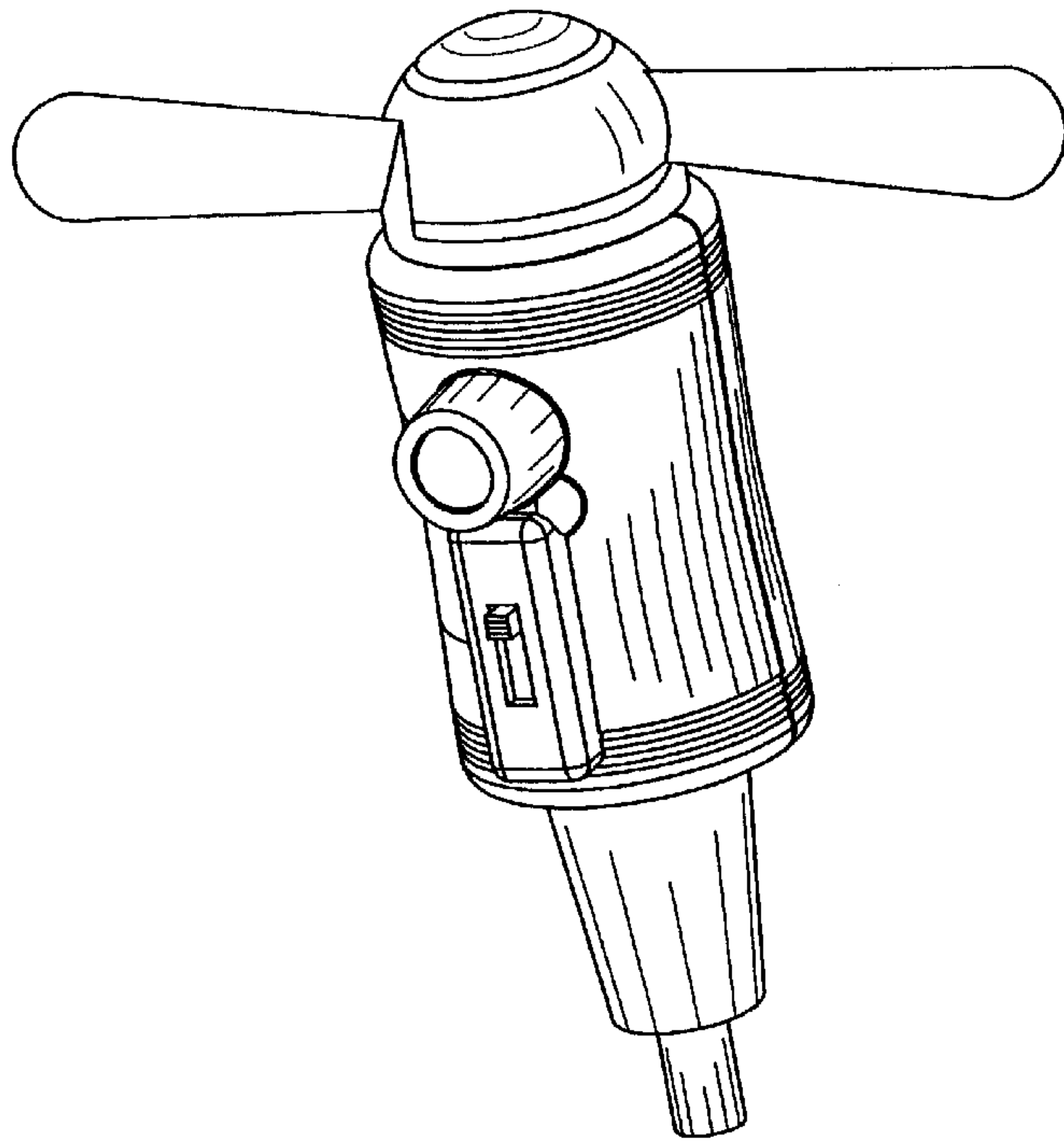


Fig. 1

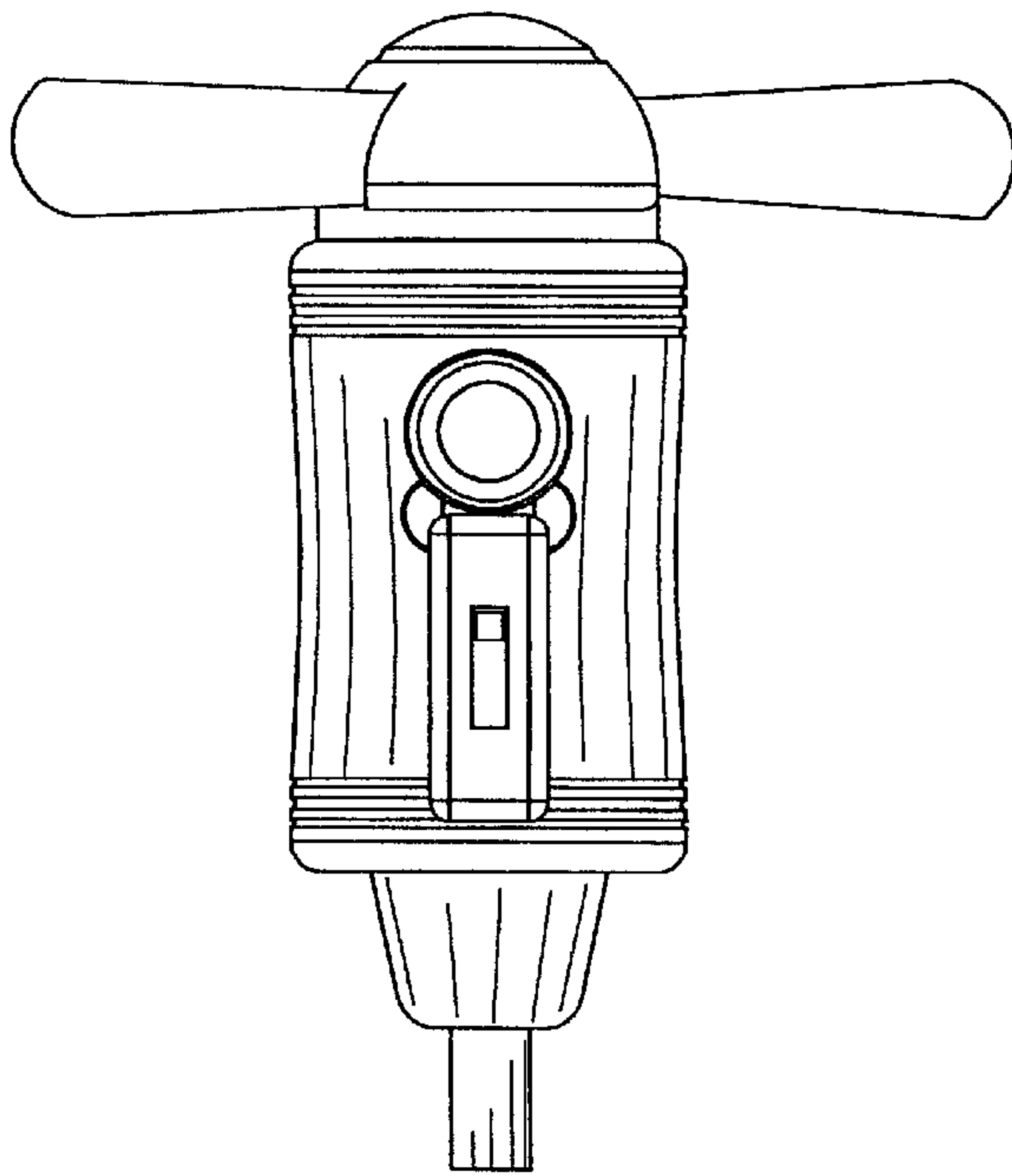


Fig. 2

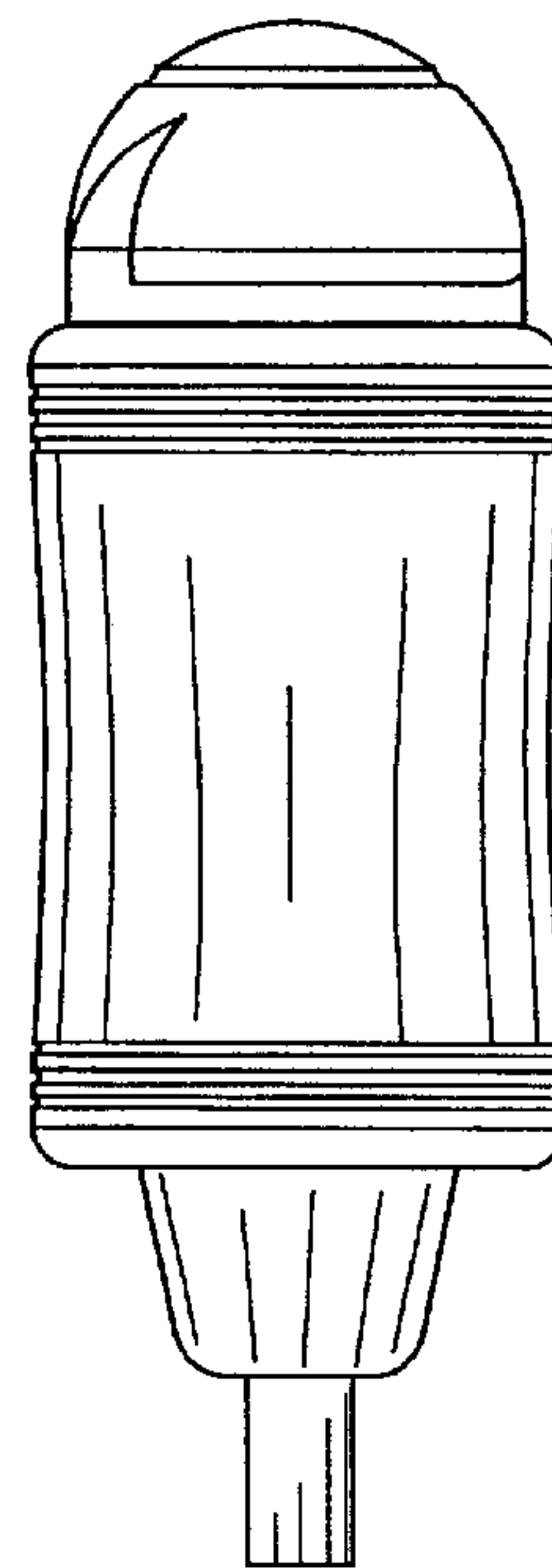


Fig. 3

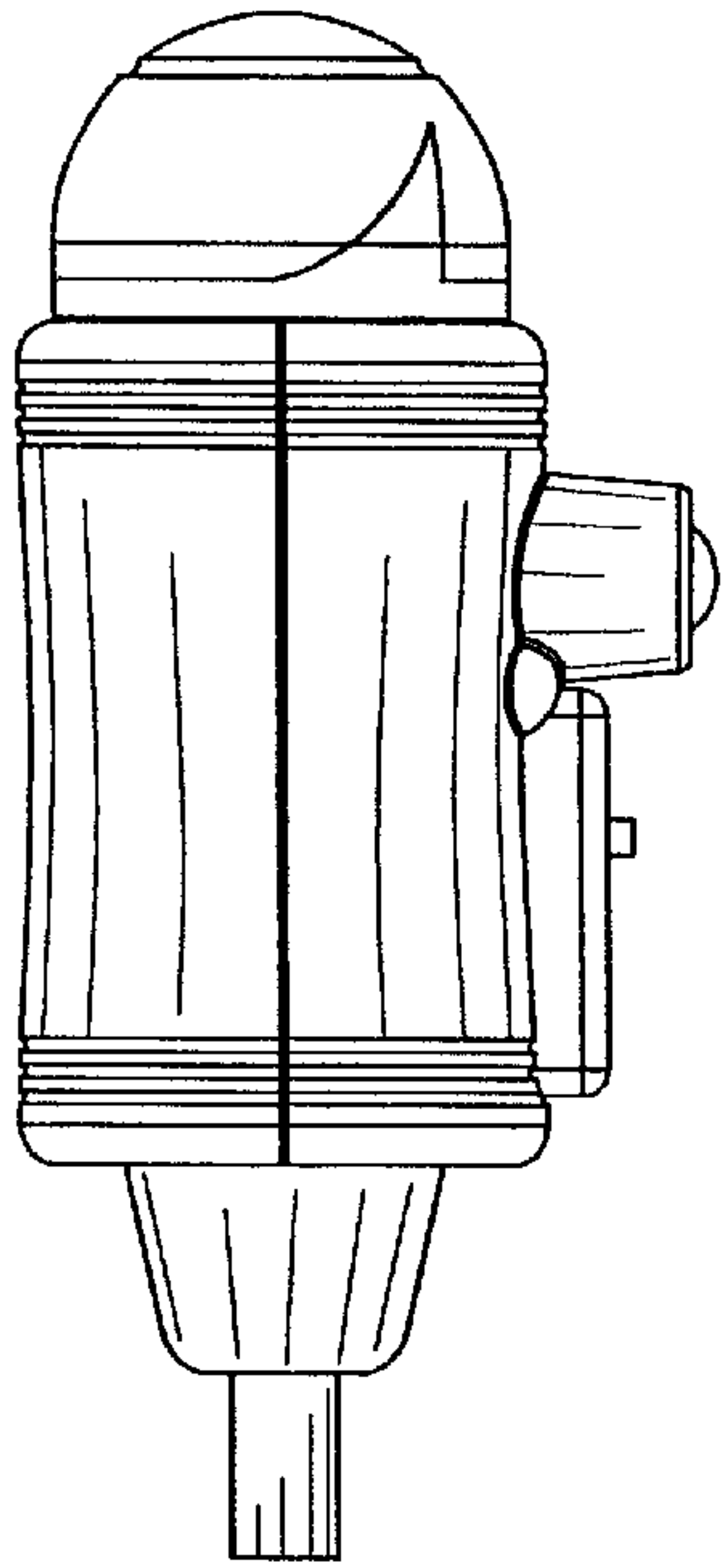


Fig. 4

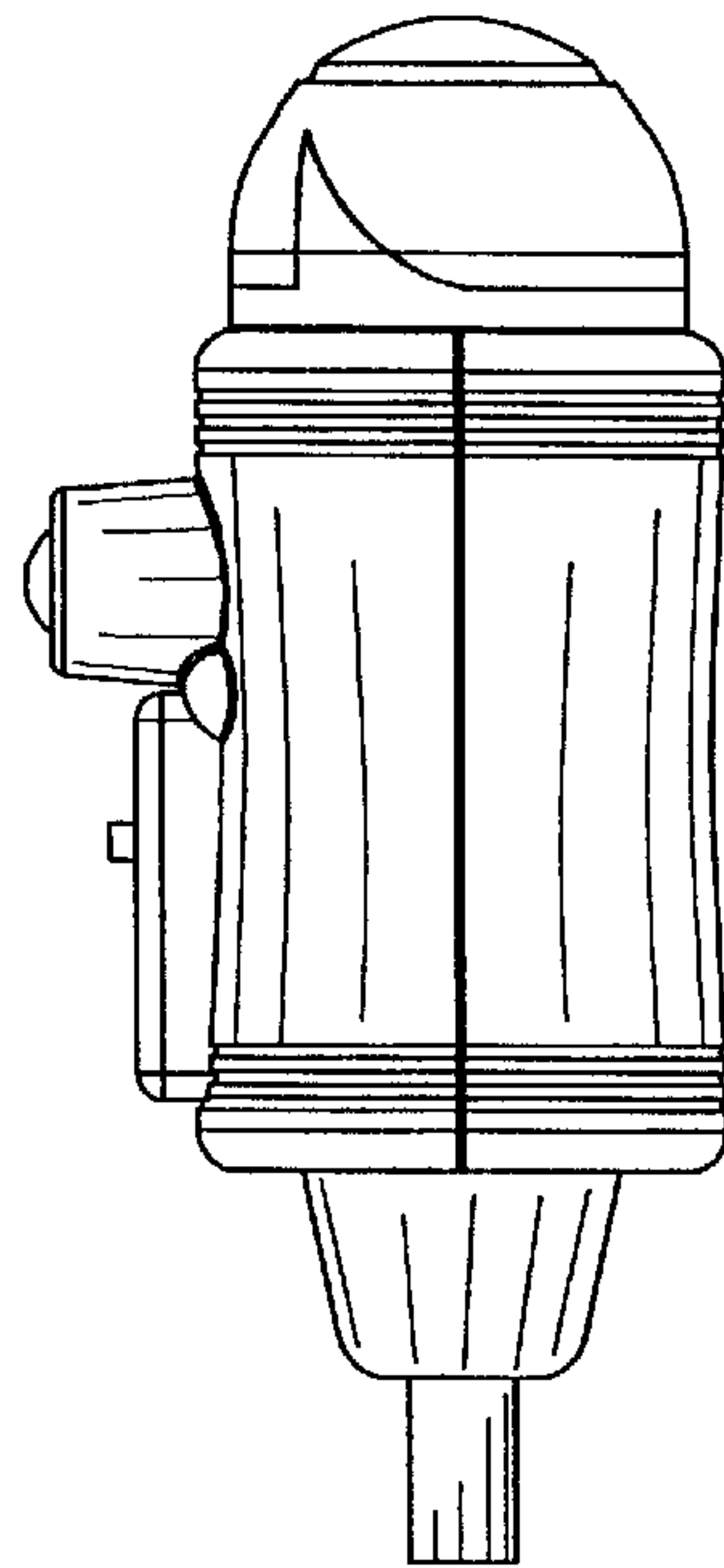


Fig. 5

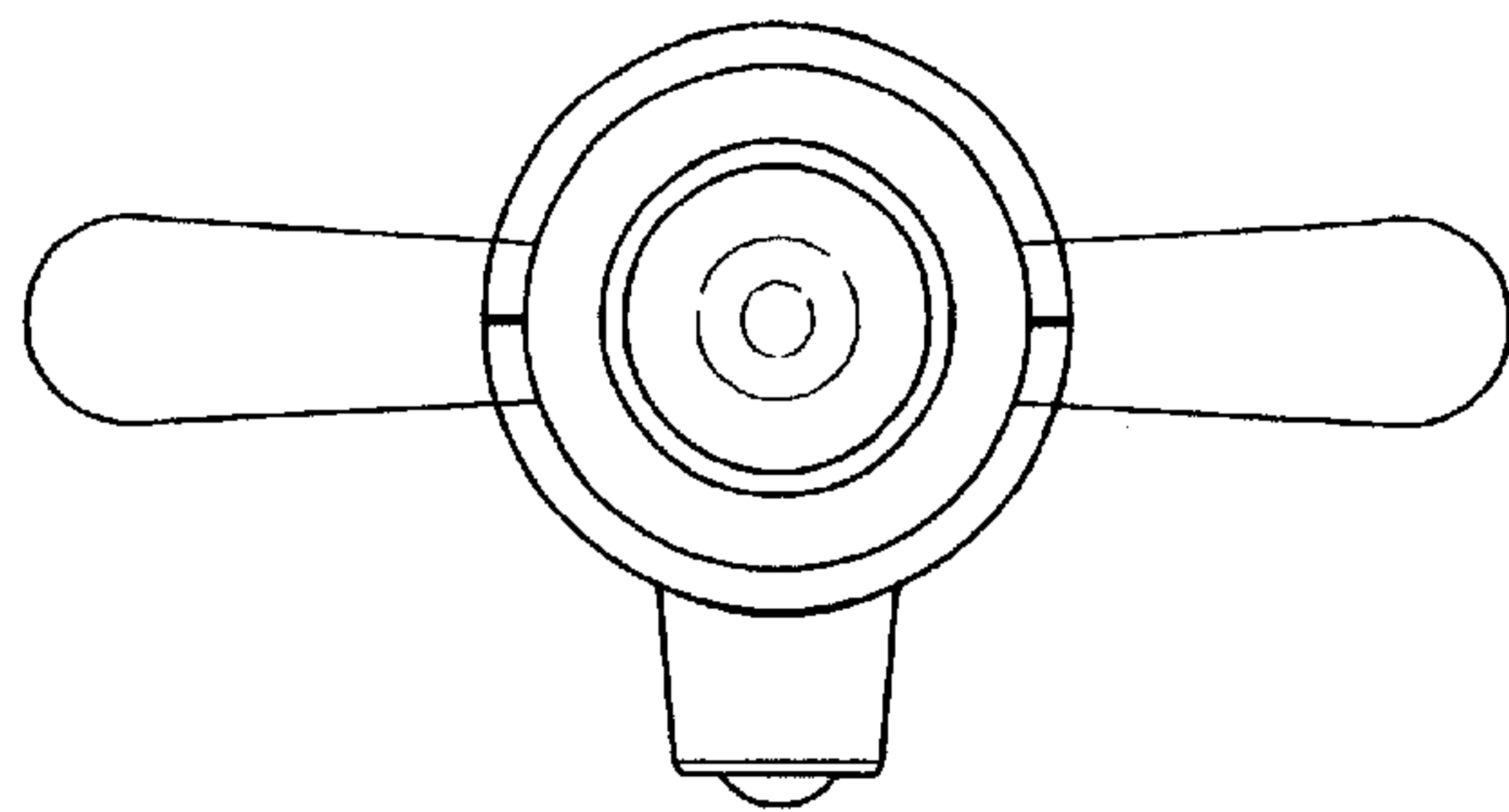


Fig. 6

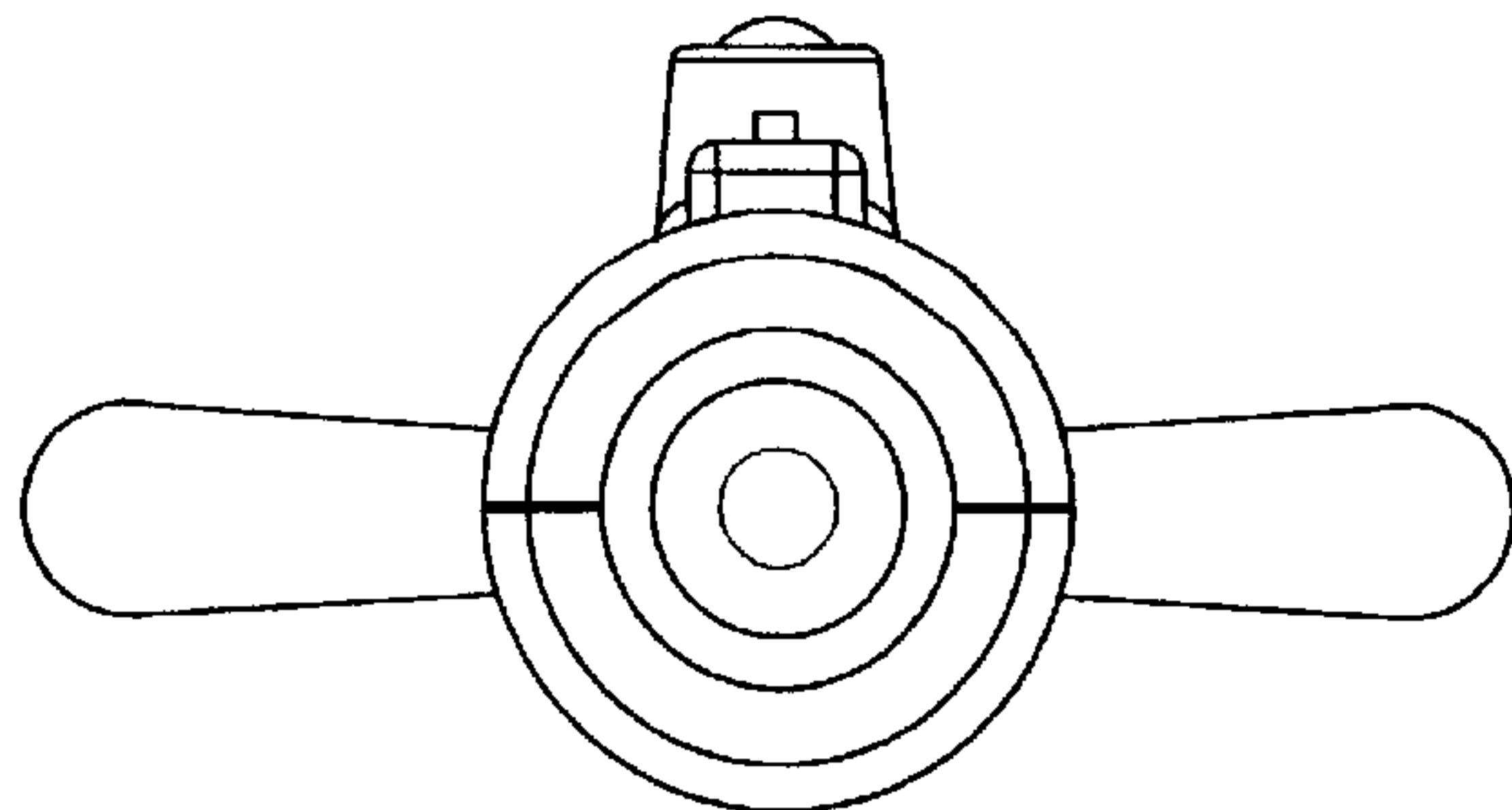


Fig. 7

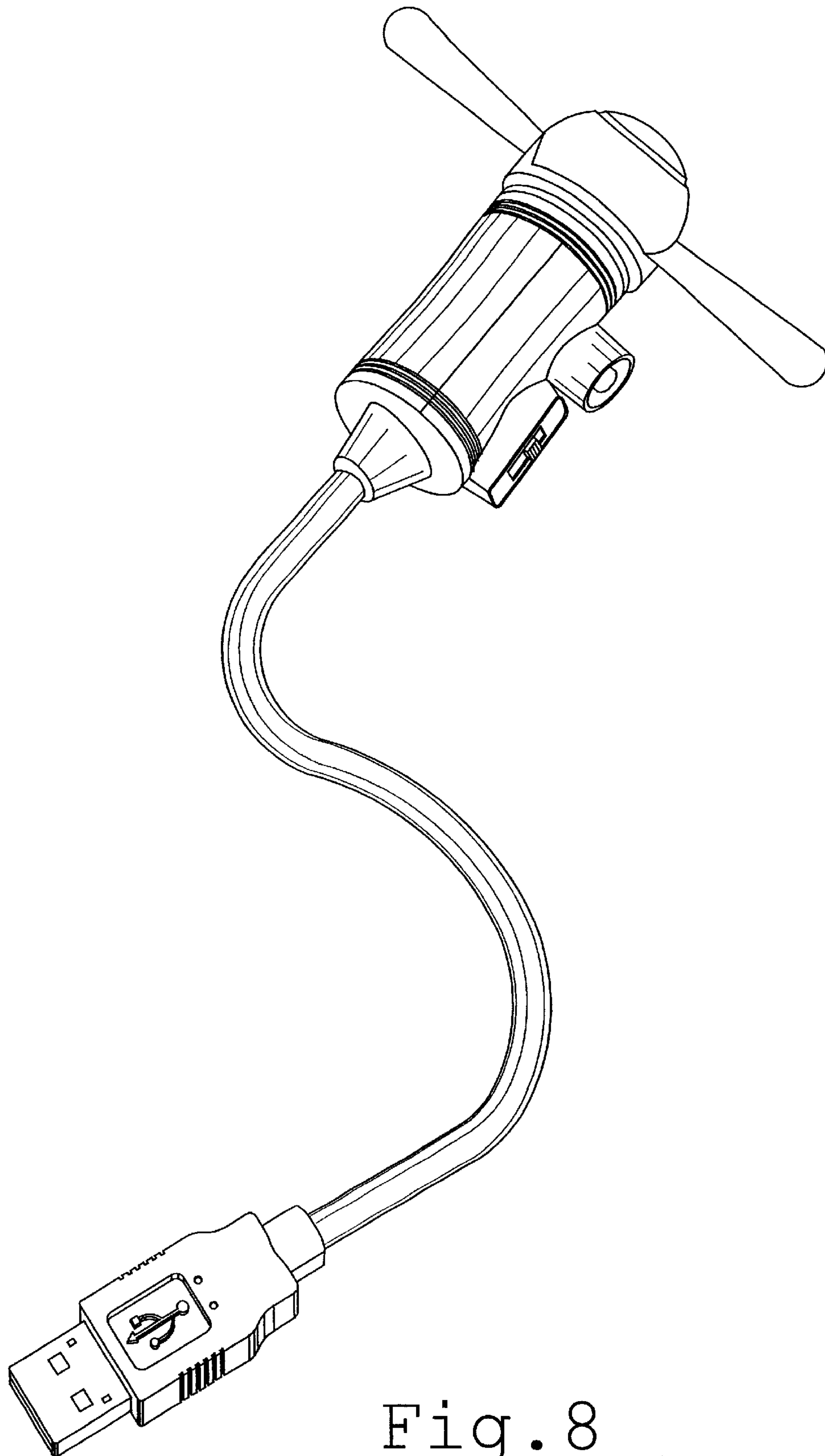


Fig. 8