



US00D511012S

(12) **United States Design Patent**  
**Von Langsdorff**

(10) **Patent No.:** **US D511,012 S**  
(45) **Date of Patent:** **\*\* Oct. 25, 2005**

(54) **PAVING STONE**

(75) Inventor: **Harald Von Langsdorff**, Inglewood (CA)

(73) Assignee: **F. Von Langsdorff Licensing Limited**, Inglewood (CA)

(\*\*) Term: **14 Years**

(21) Appl. No.: **29/193,777**

(22) Filed: **Nov. 14, 2003**

(51) **LOC (8) Cl.** ..... **25-01**

(52) **U.S. Cl.** ..... **D25/113**

(58) **Field of Search** ..... D25/112-118,  
D25/164; D21/483-486, 499-500; 404/17,  
19-20, 27-31, 34-42; 52/102, 596, 574,  
612, 603-609

(56) **References Cited**

**U.S. PATENT DOCUMENTS**

|            |   |         |                |       |         |
|------------|---|---------|----------------|-------|---------|
| D389,926 S | * | 1/1998  | Barth et al.   | ..... | D25/113 |
| D425,628 S | * | 5/2000  | Barth et al.   | ..... | D25/113 |
| D431,305 S | * | 9/2000  | Barth et al.   | ..... | D25/113 |
| D485,370 S | * | 1/2004  | Schmitz et al. | ..... | D25/113 |
| D498,543 S | * | 11/2004 | Schmitz et al. | ..... | D25/113 |

\* cited by examiner

*Primary Examiner*—Robert A. Delehnanty

(74) *Attorney, Agent, or Firm*—Santosh K. Chari; Blake, Cassels & Graydon LLP

(57) **CLAIM**

The ornamental design for a paving stone, as shown and described.

**DESCRIPTION**

FIG. 1 is a perspective view of a first embodiment of the design.

FIG. 2 is a top view of the design of FIG. 1.

FIG. 3 is a bottom view of the design of FIG. 1.

FIG. 4 is a right side view of the design of FIG. 1.

FIG. 5 is a front end view of the design of FIG. 1.

FIG. 6 is a rear end view of the design of FIG. 1.

FIG. 7 is a left side view of the design of FIG. 1.

FIG. 8 is a perspective view of a variant of the design of FIG. 1.

FIG. 9 is a perspective view of another variant of the design of FIG. 1.

FIG. 10 is a perspective view of another variant of the design of FIG. 1.

FIG. 11 is a perspective view of another variant of the design of FIG. 1.

FIG. 12 is a perspective view of another variant of the design of FIG. 1.

FIG. 13 is a perspective view of another variant of the design of FIG. 1.

FIG. 14 is a perspective view of another variant of the design of FIG. 1.

FIG. 15 is a perspective view of a second embodiment of the design.

FIG. 16 is a top view of the design of FIG. 15.

FIG. 17 is a bottom view of the design of FIG. 15.

FIG. 18 is a right side view of the design of FIG. 15.

FIG. 19 is a front end view of the design of FIG. 15.

FIG. 20 is a rear end view of the design of FIG. 15.

FIG. 21 is a left side view of the design of FIG. 15.

FIG. 22 is a perspective view of a variant of the design of FIG. 15.

FIG. 23 is a perspective view of another variant of the design of FIG. 15.

FIG. 24 is a perspective view of another variant of the design of FIG. 15.

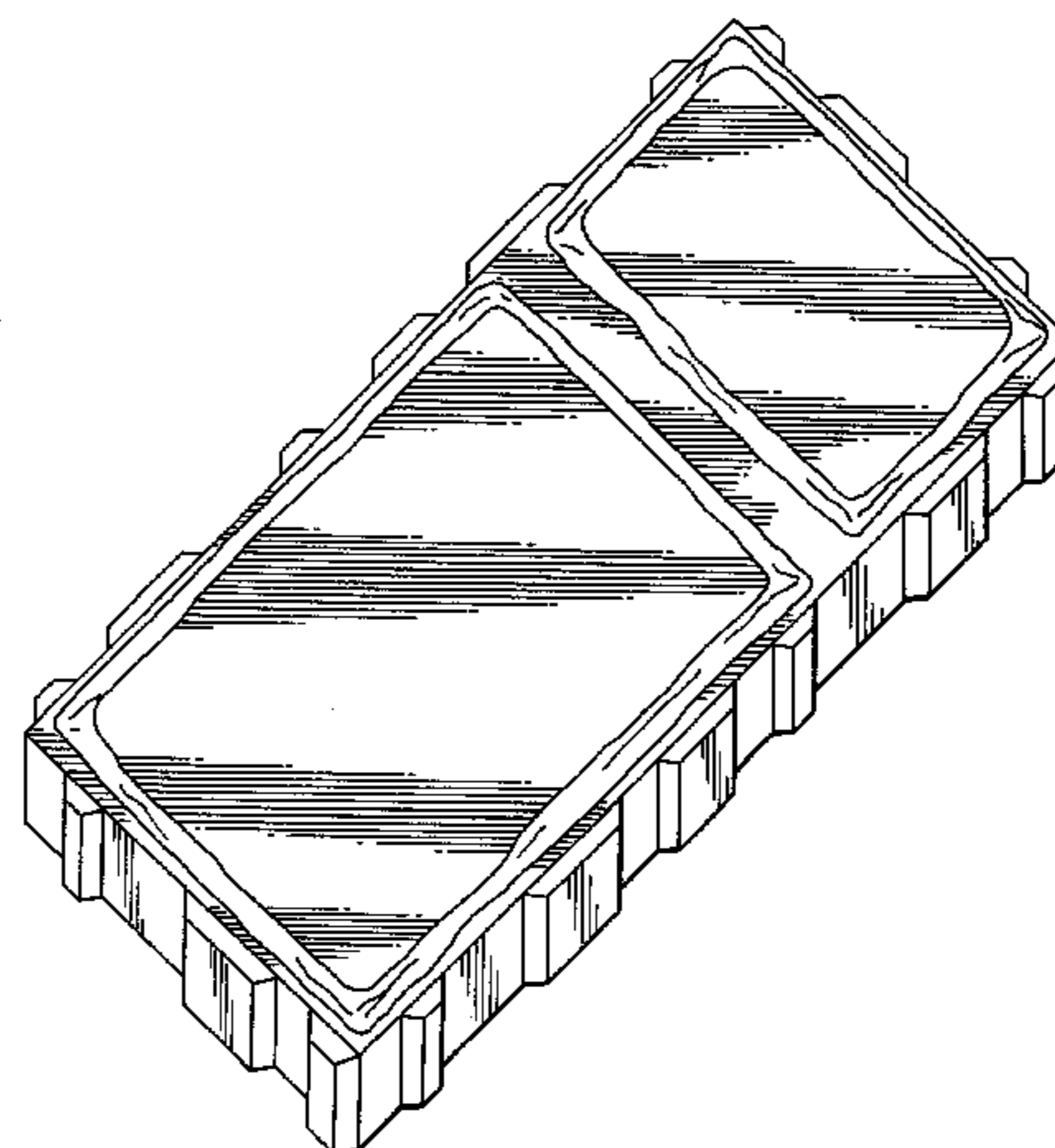
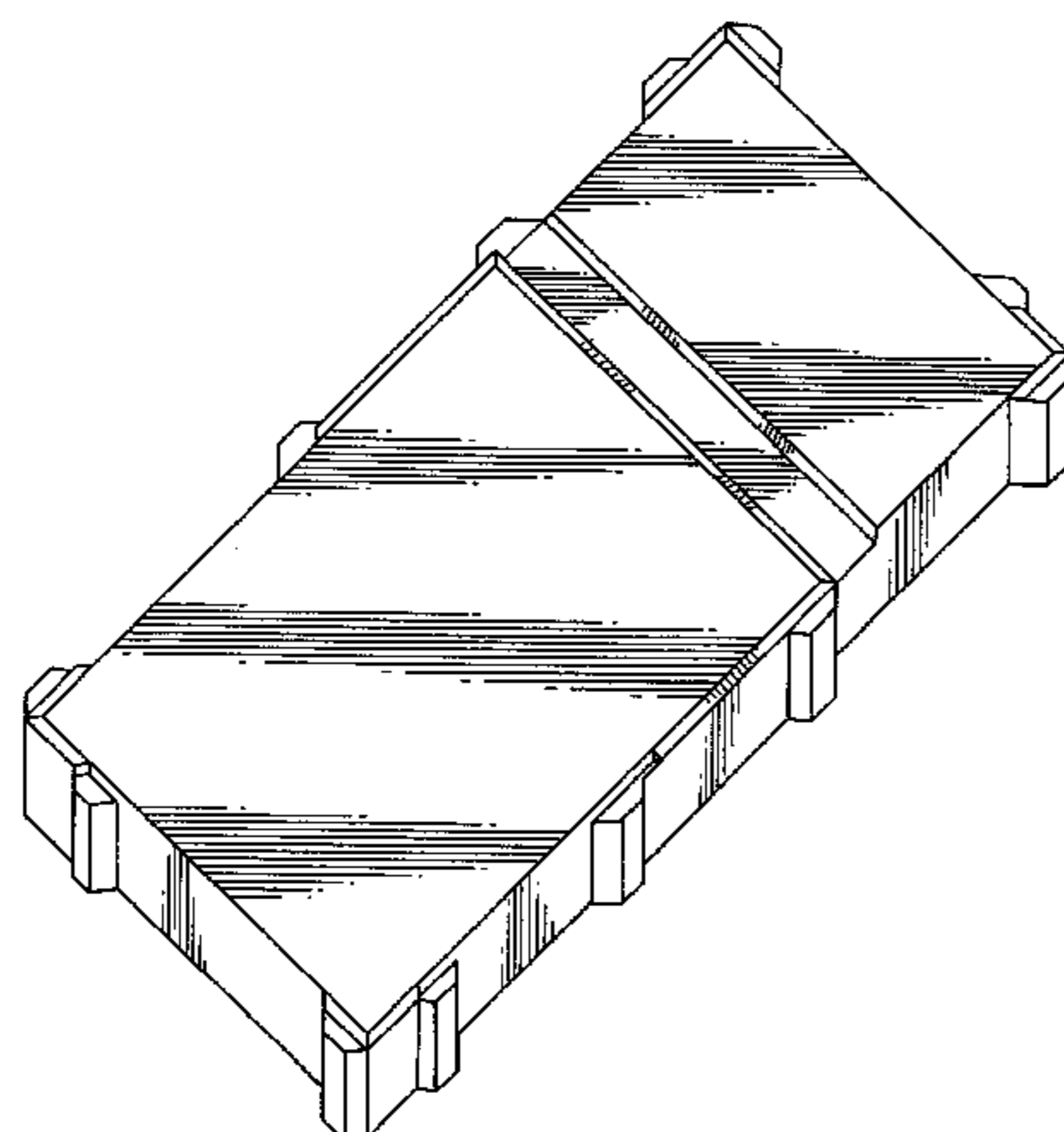
FIG. 25 is a perspective view of another variant of the design of FIG. 15.

FIG. 26 is a perspective view of another variant of the design of FIG. 15.

FIG. 27 is a perspective view of another variant of the design of FIG. 15; and,

FIG. 28 is a perspective view of another variant of the design of FIG. 15.

**1 Claim, 18 Drawing Sheets**



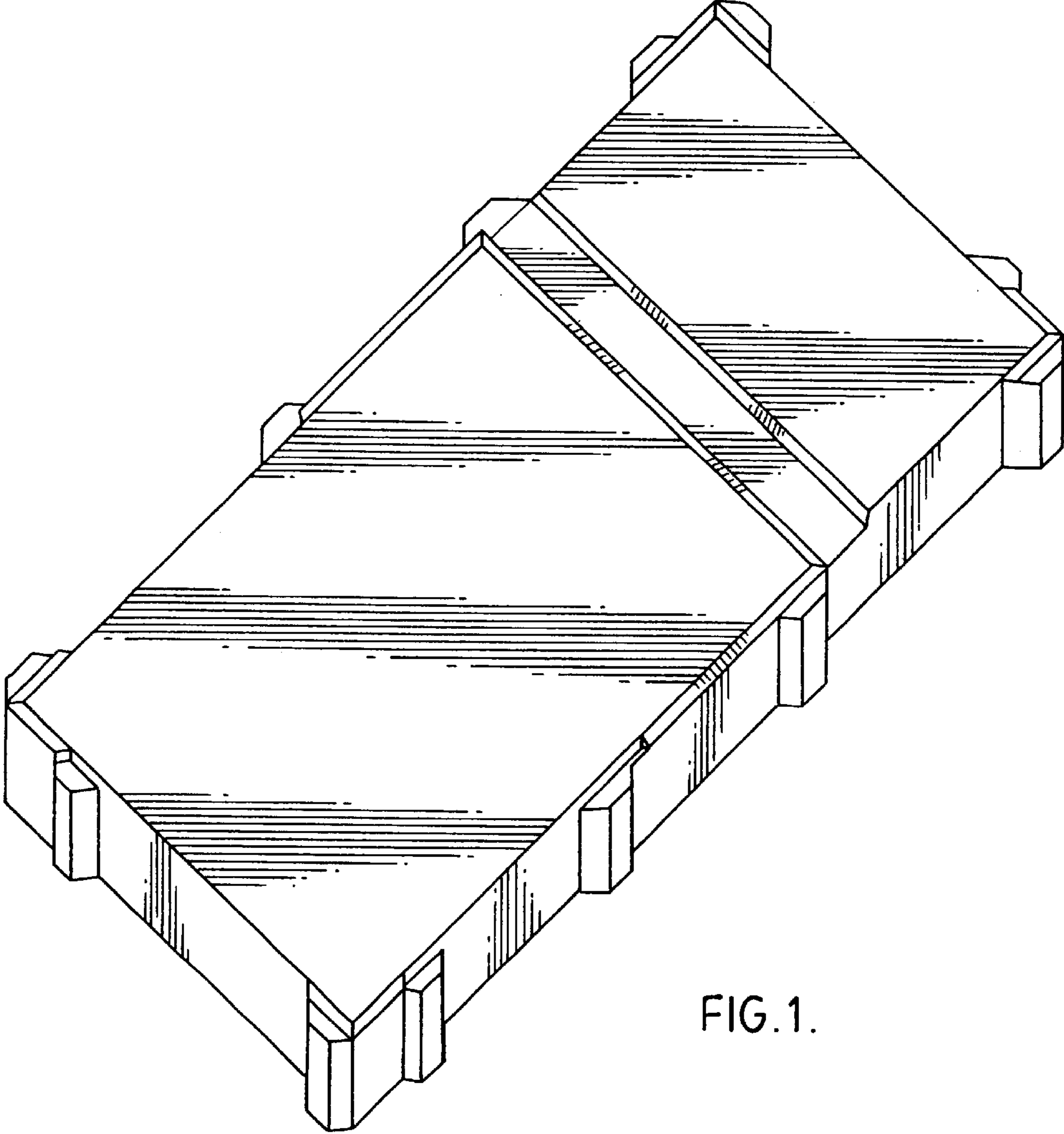


FIG. 1.

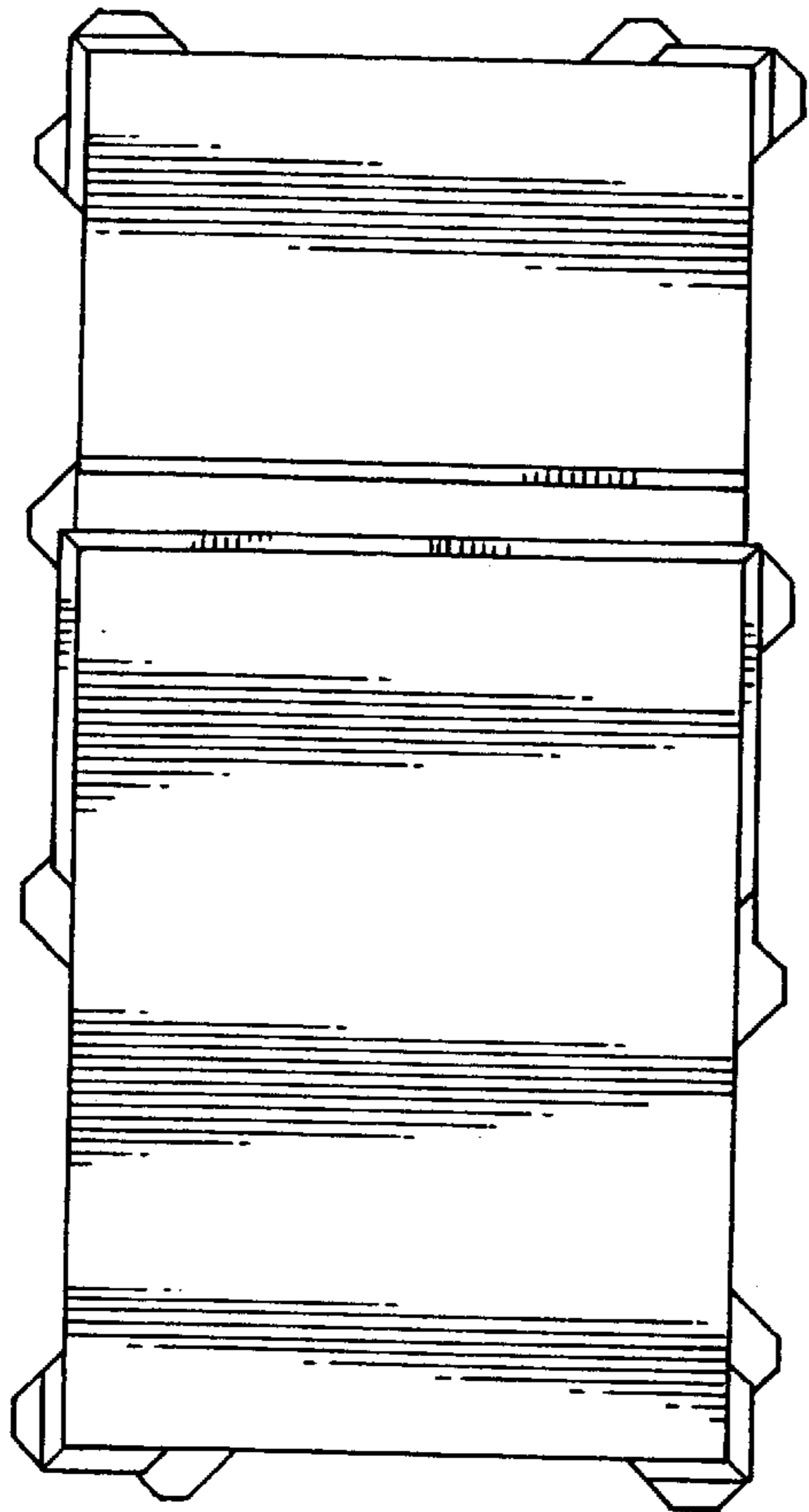


FIG. 2.

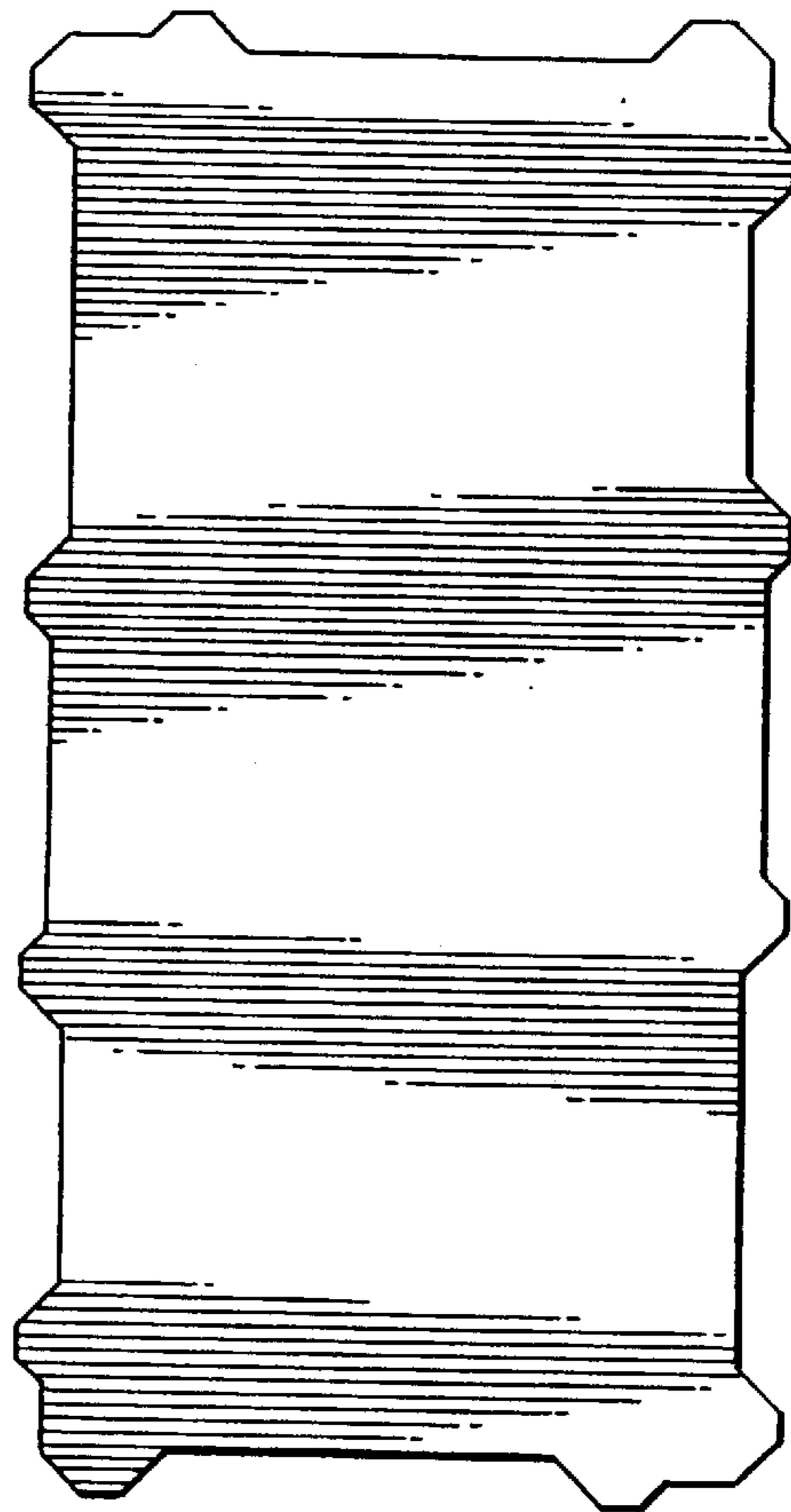


FIG. 3.

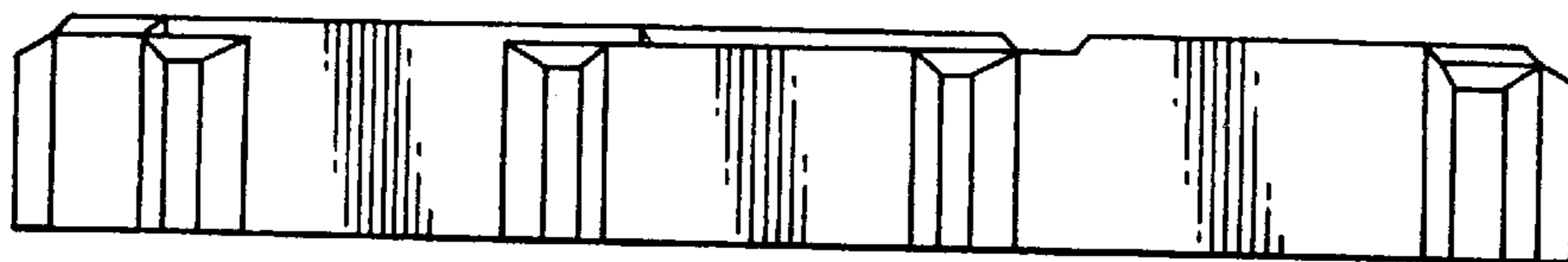


FIG. 4.

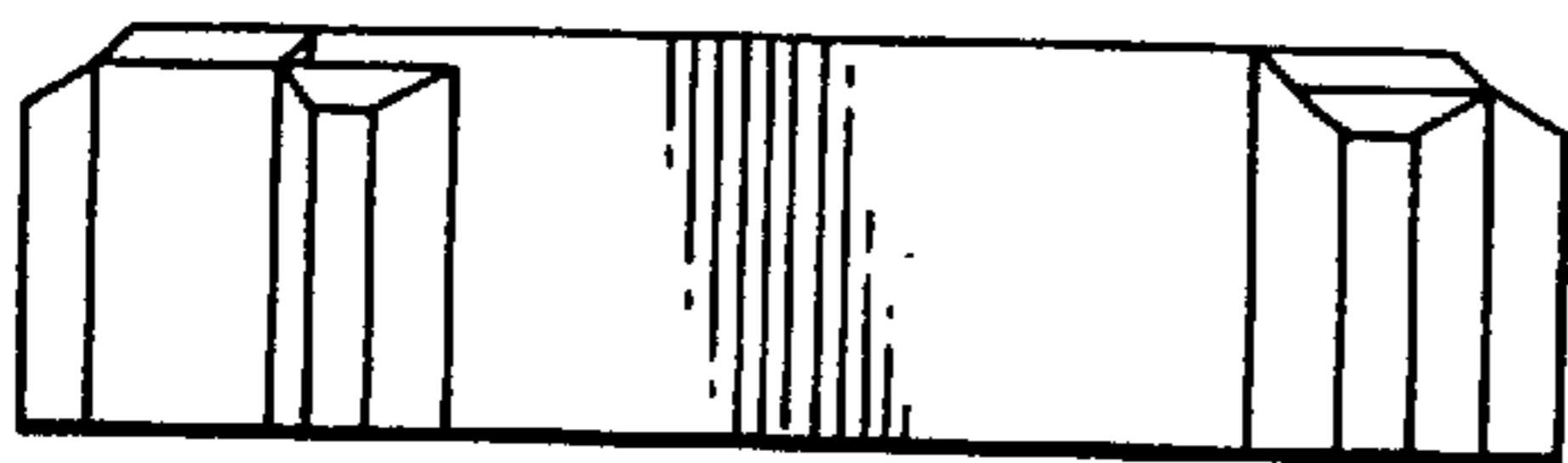


FIG. 5.

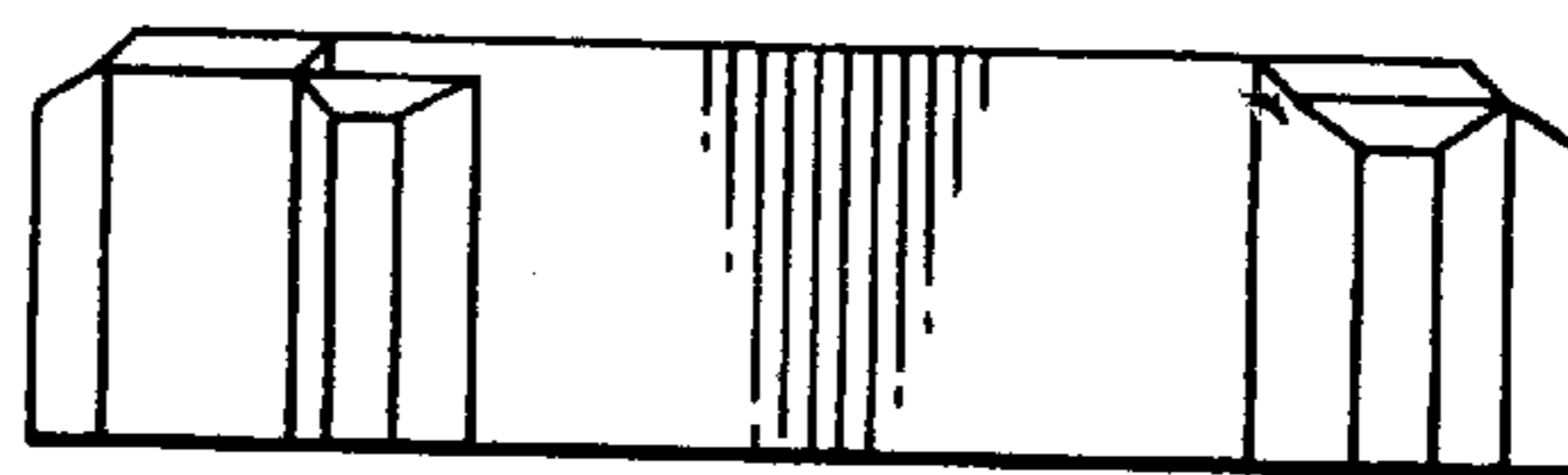


FIG. 6.

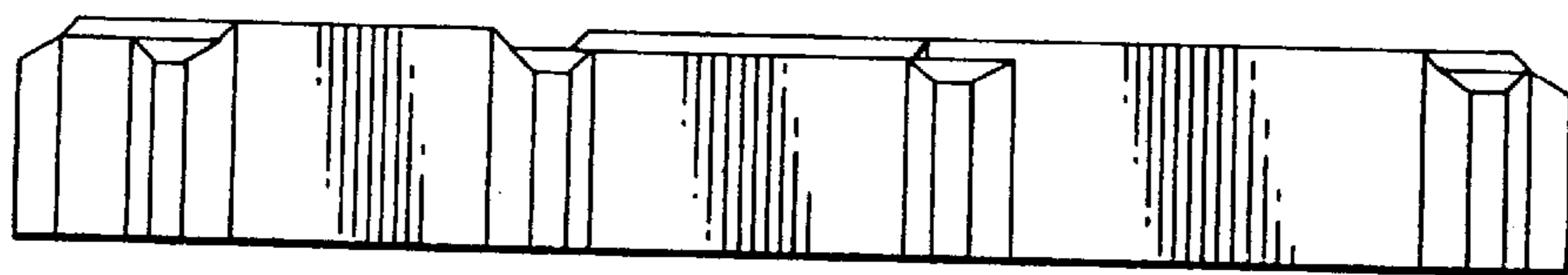


FIG. 7.

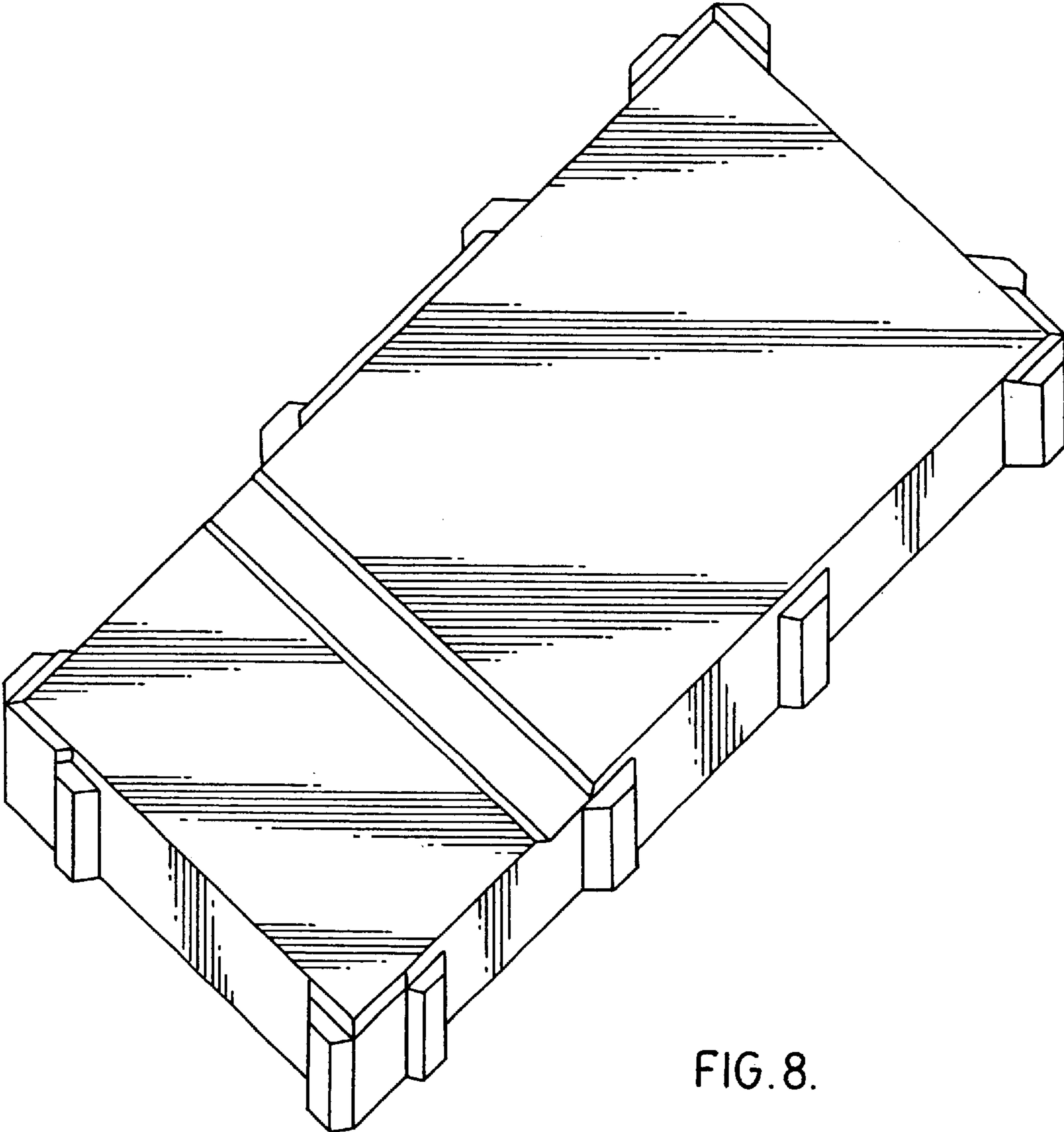


FIG. 8.

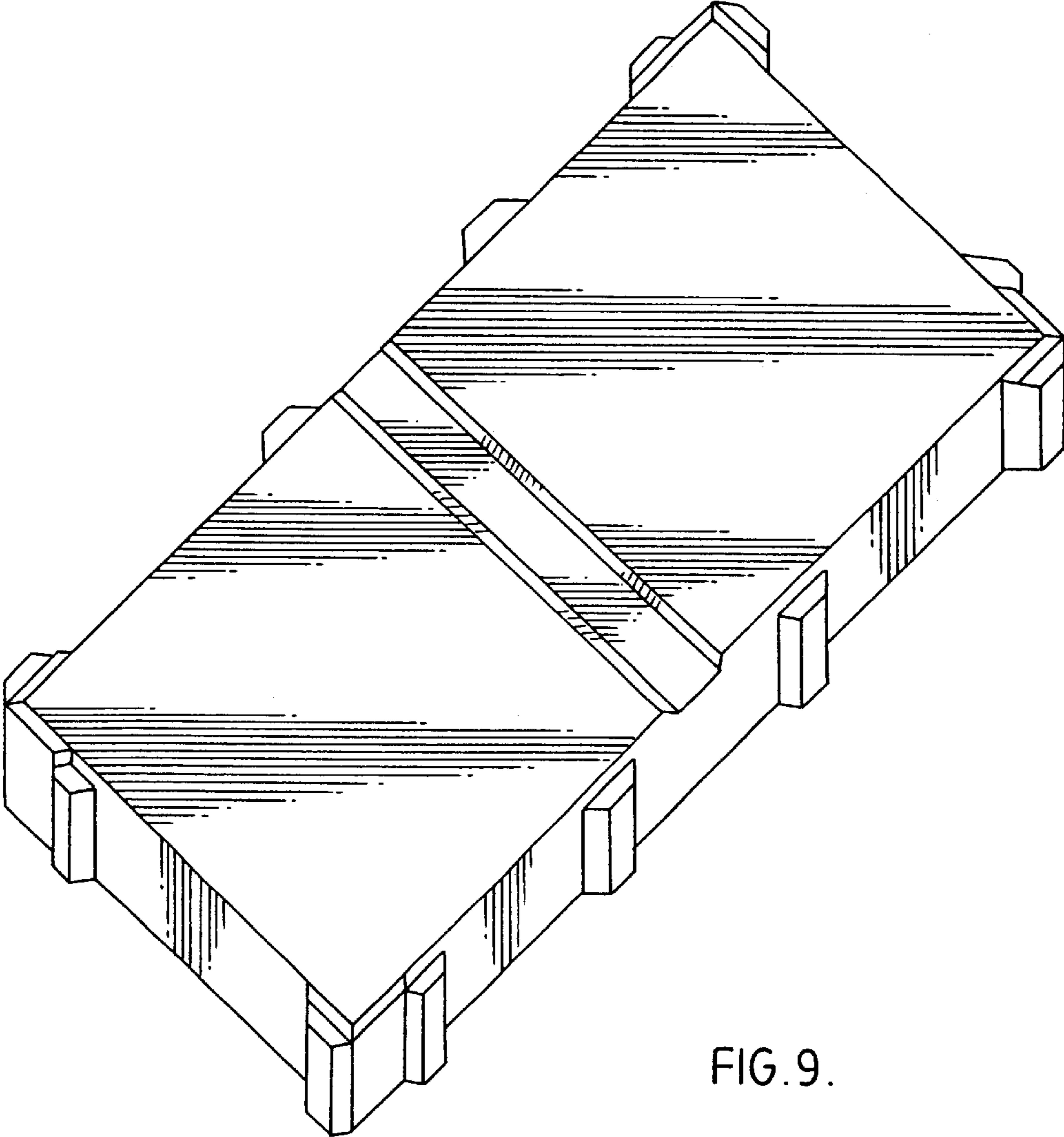


FIG. 9.

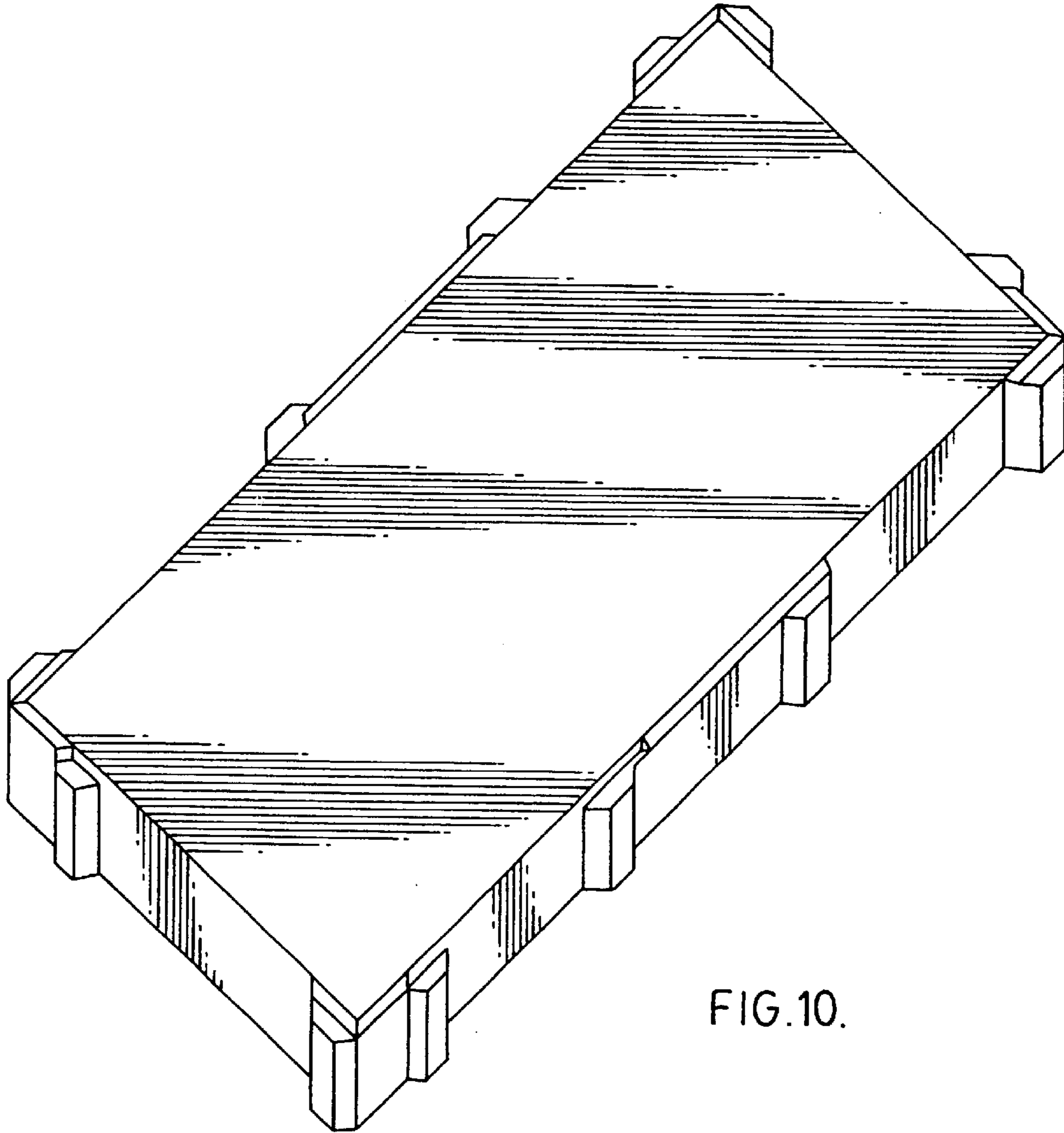


FIG. 10.

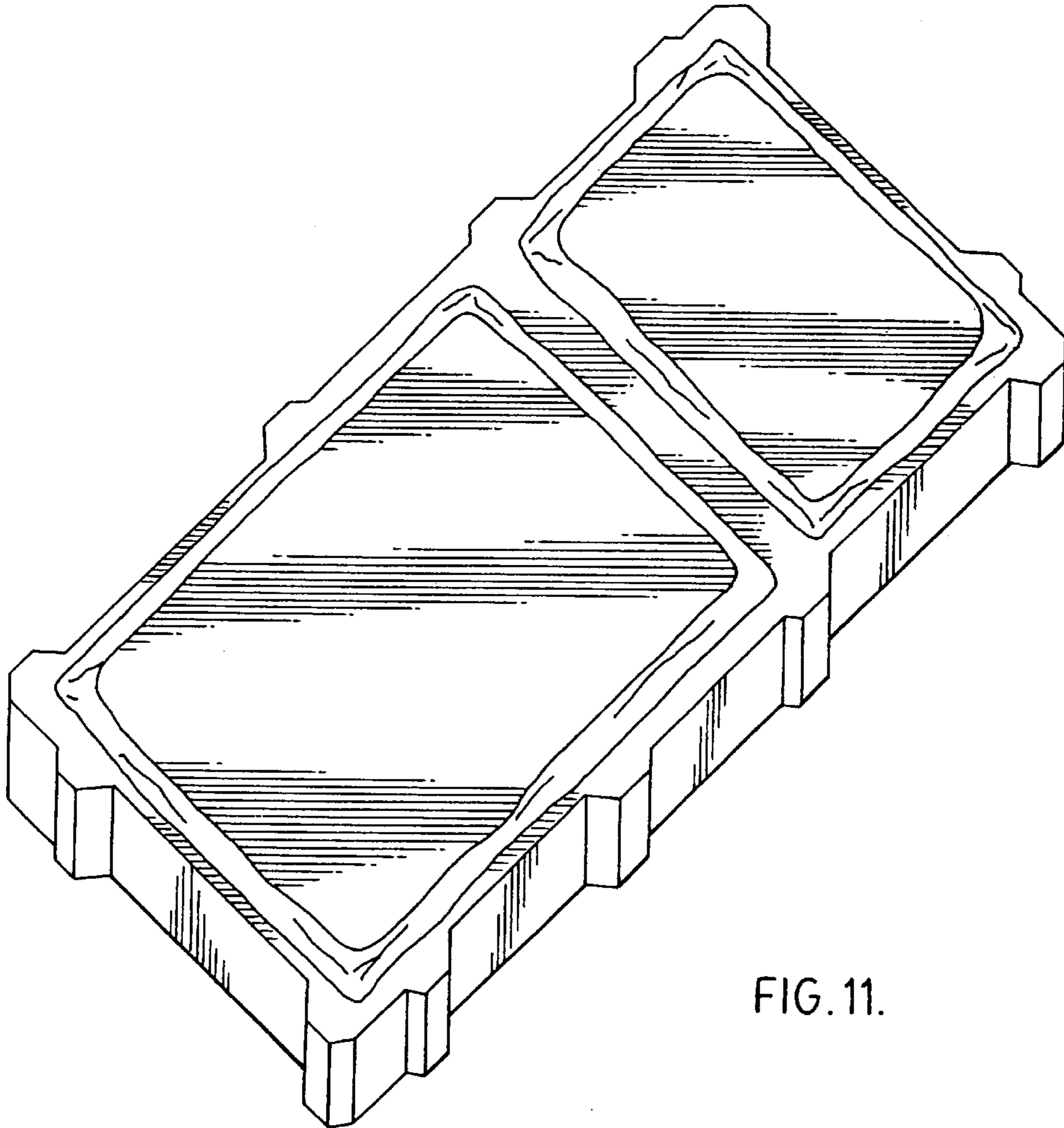


FIG. 11.

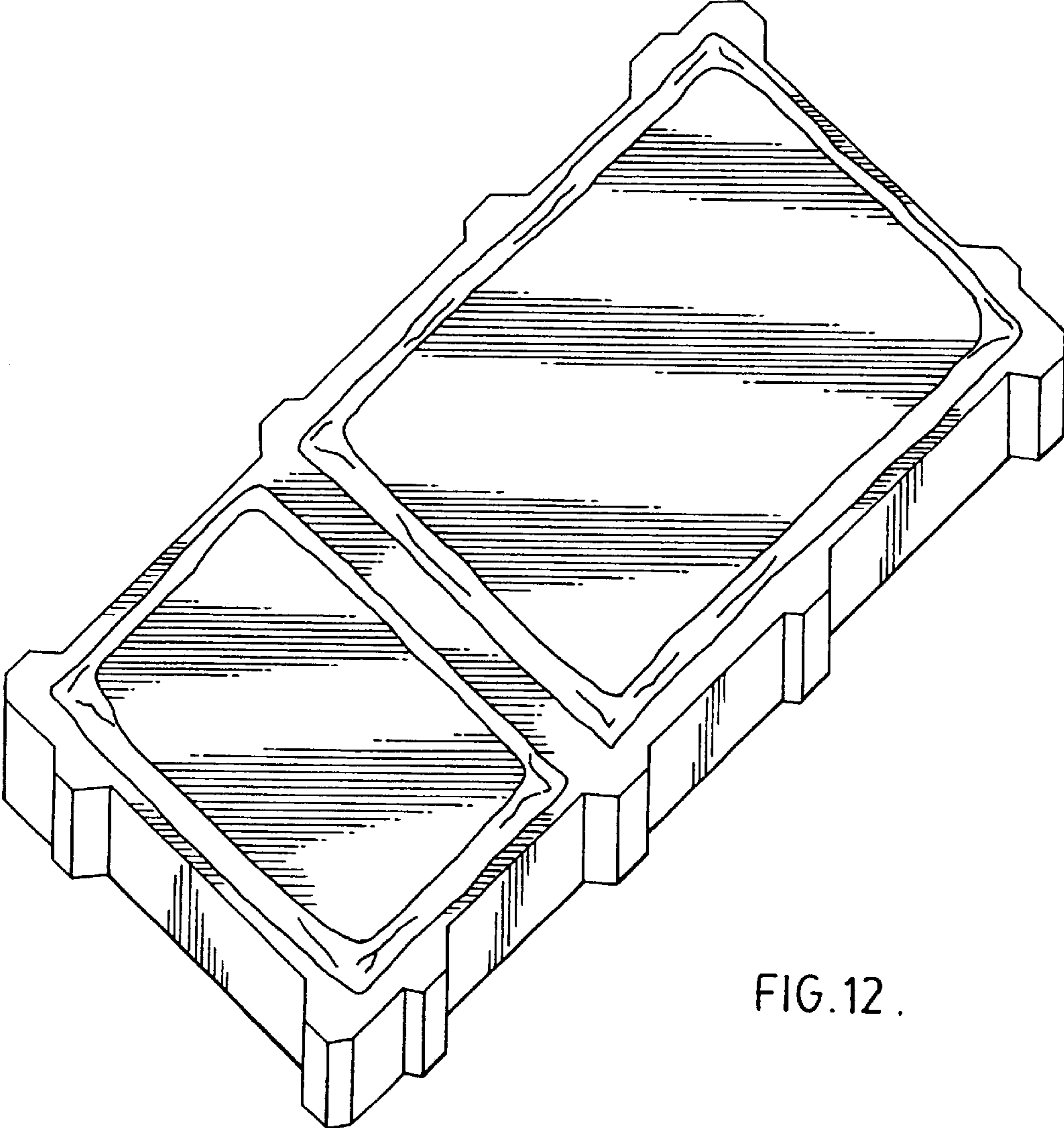


FIG.12 .



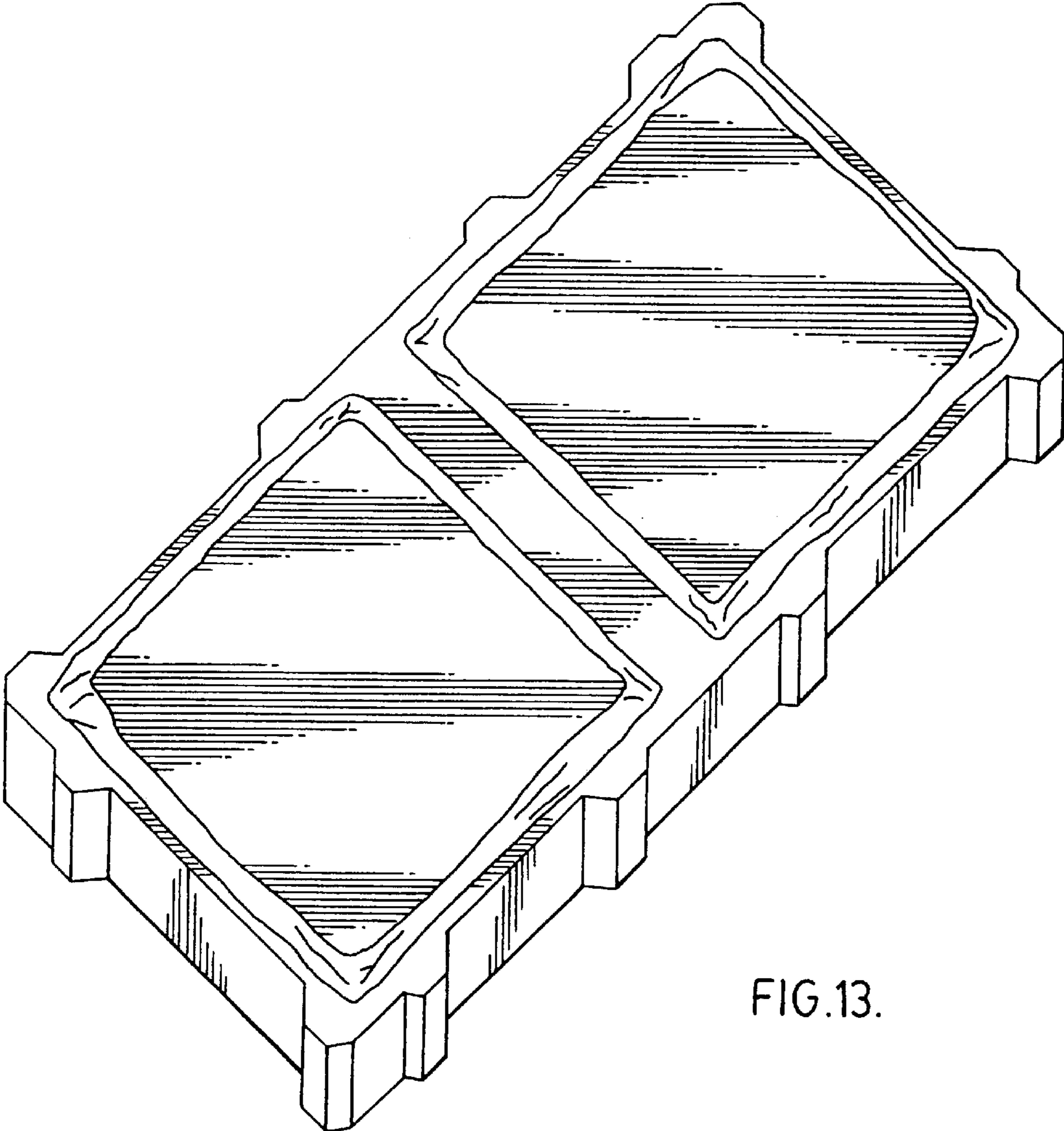


FIG.13.

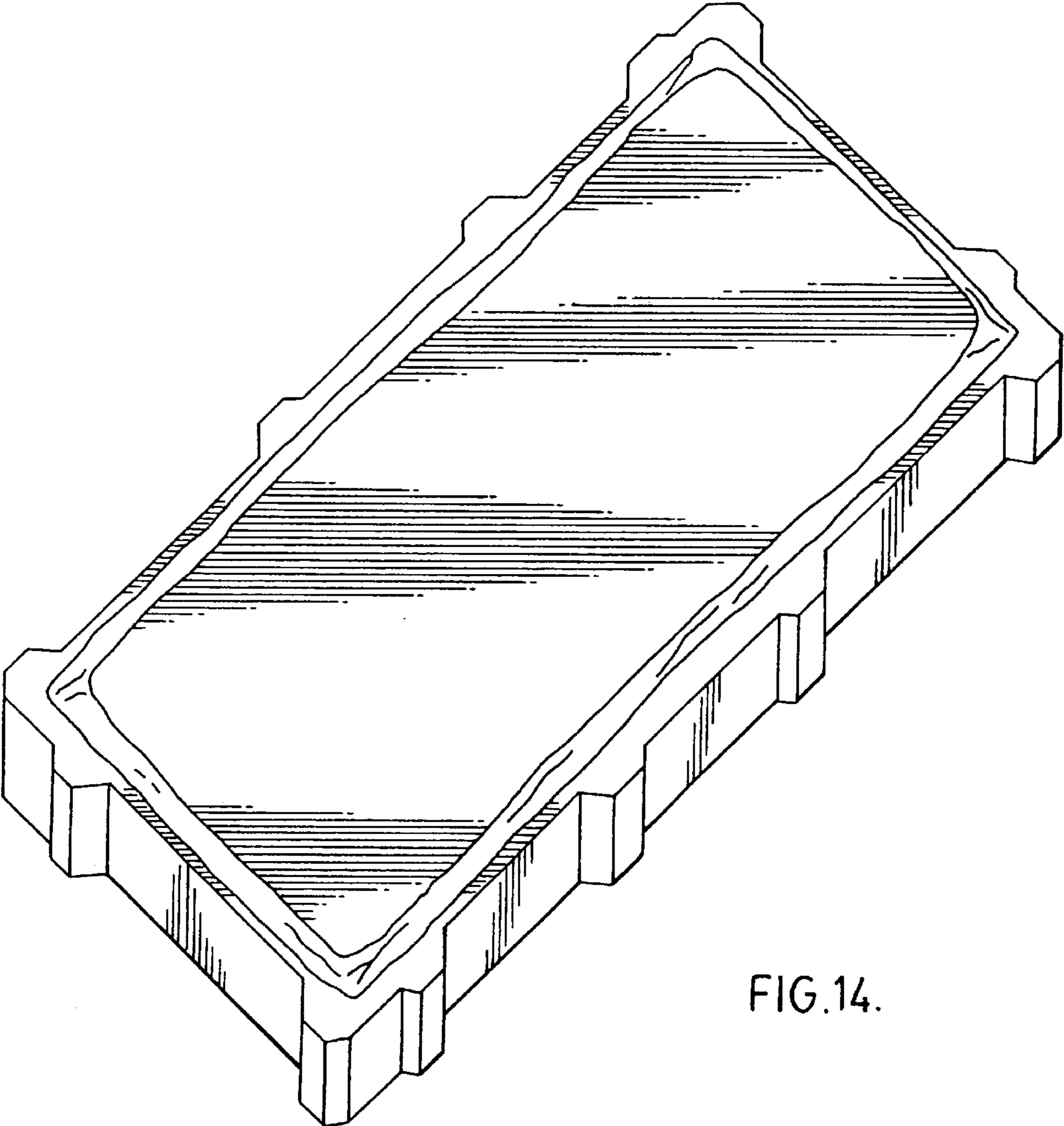
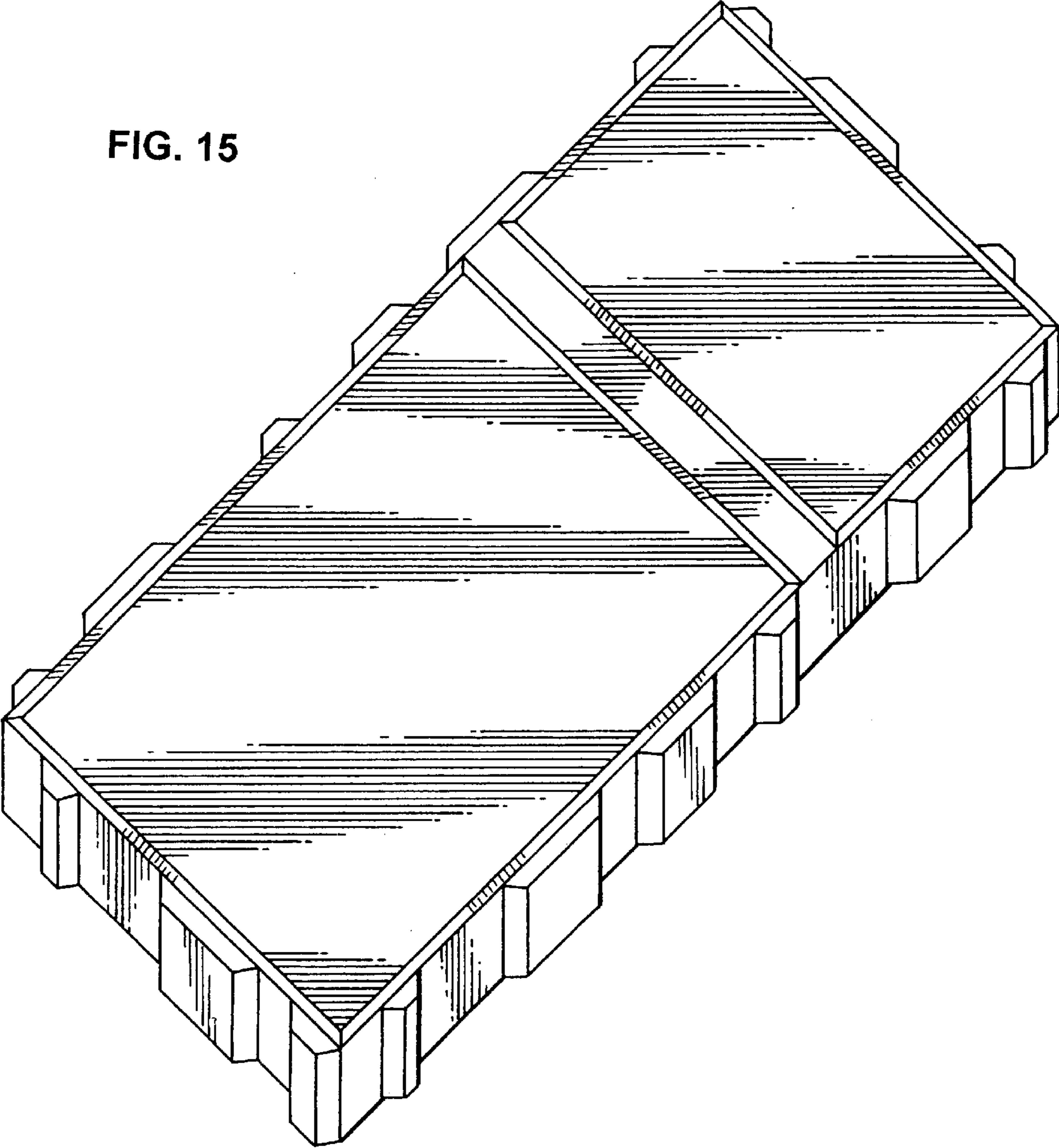


FIG.14.

FIG. 15



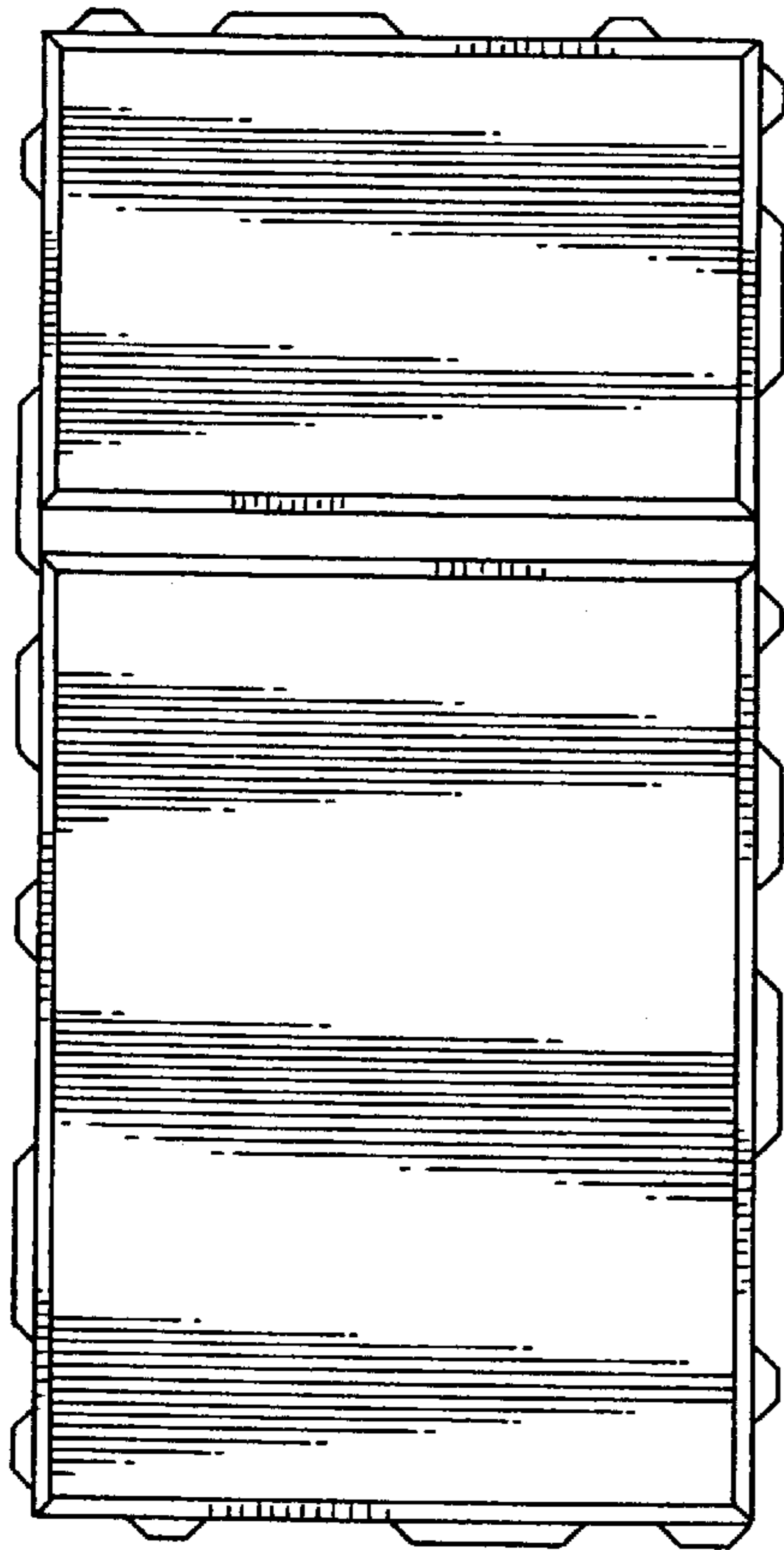


FIG. 16

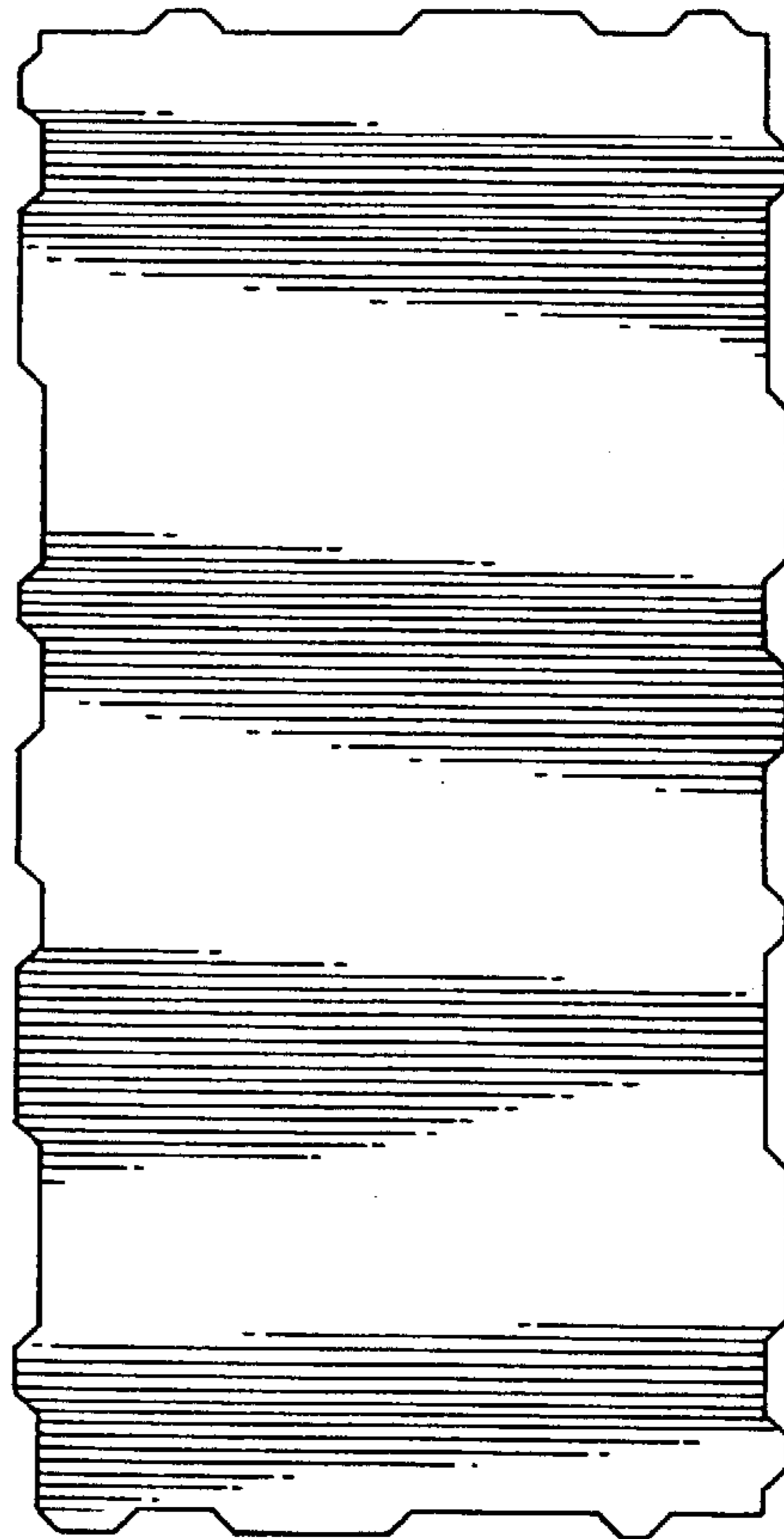


FIG. 17

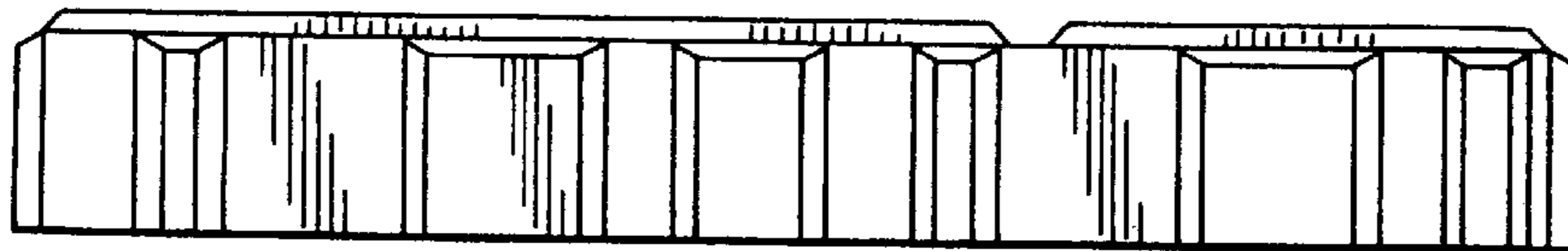


FIG. 18

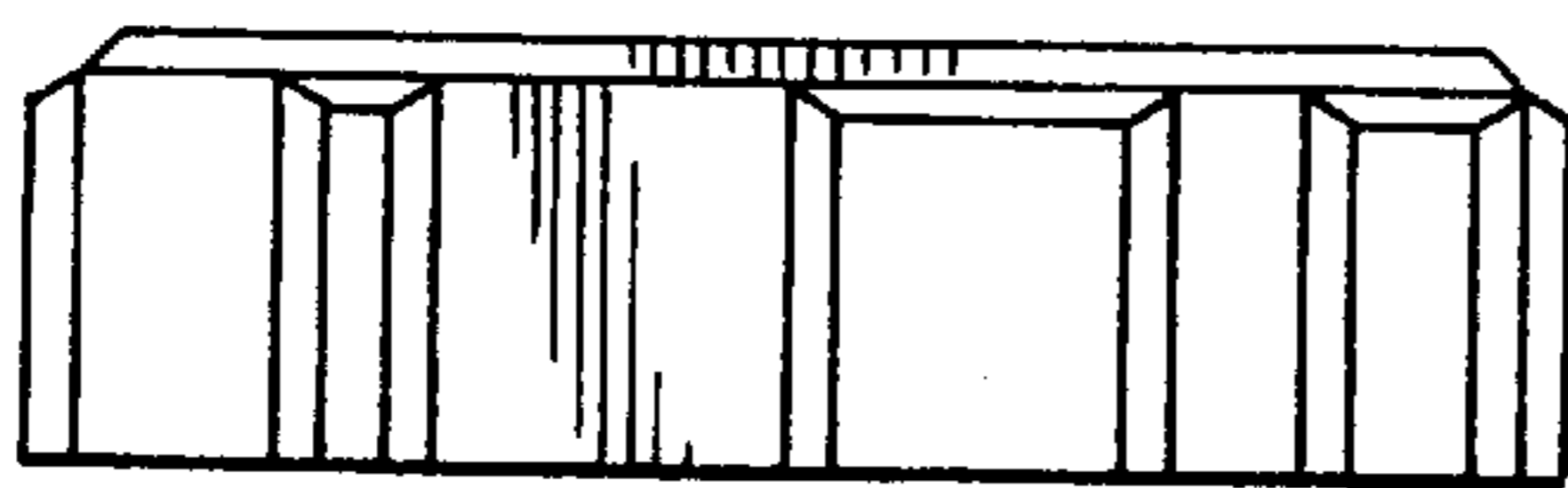


FIG. 19

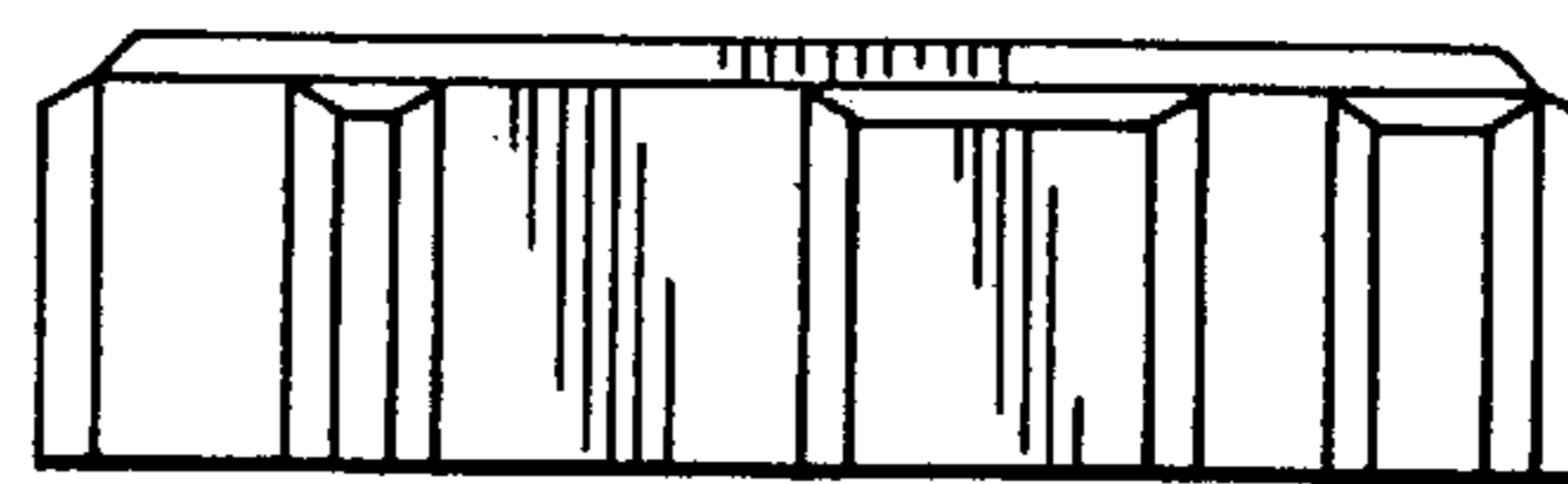


FIG. 20

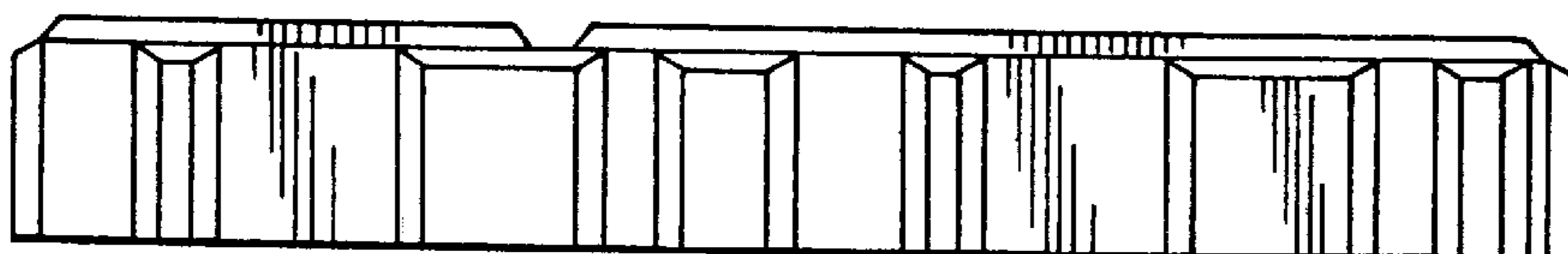


FIG. 21

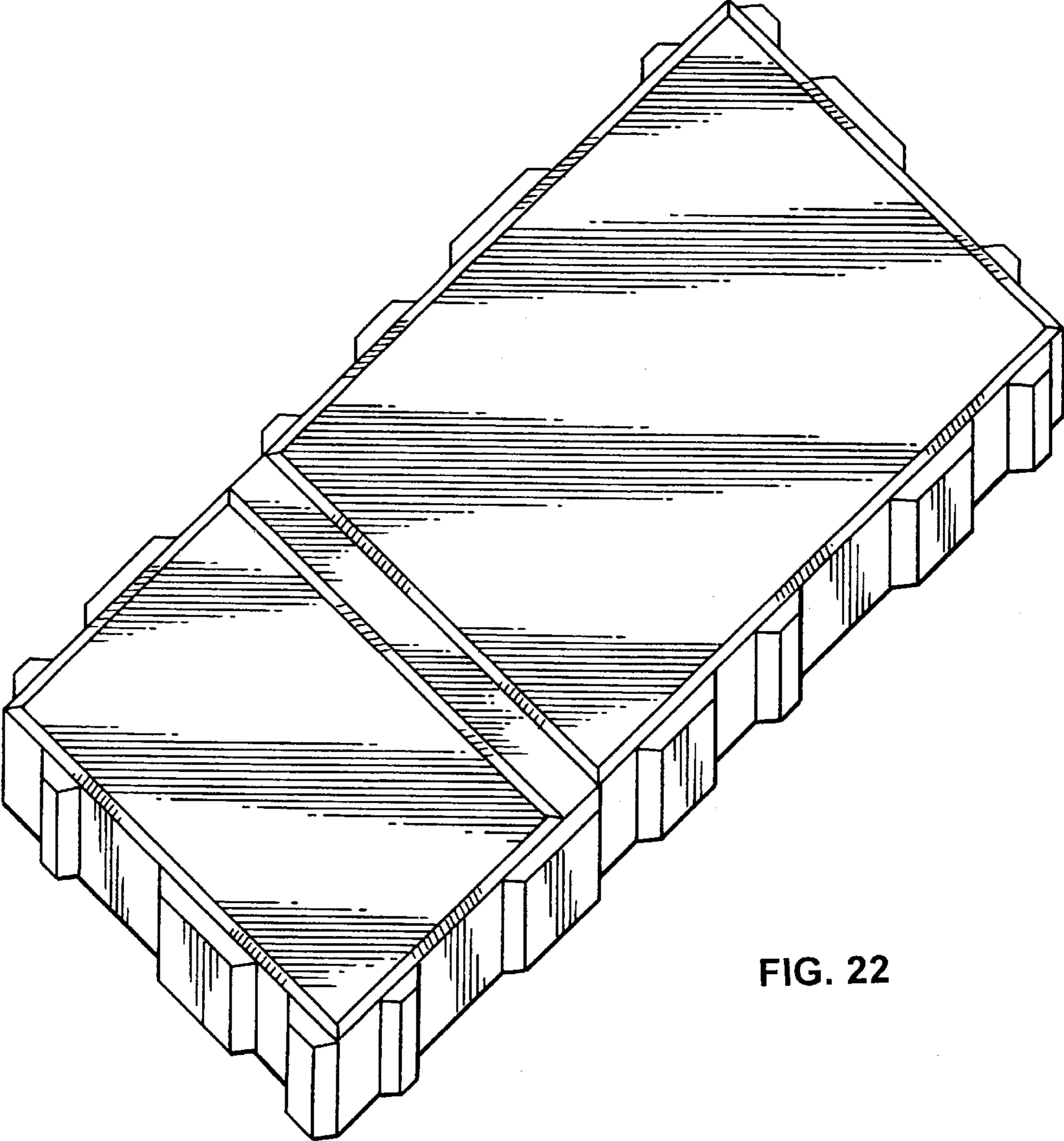


FIG. 22

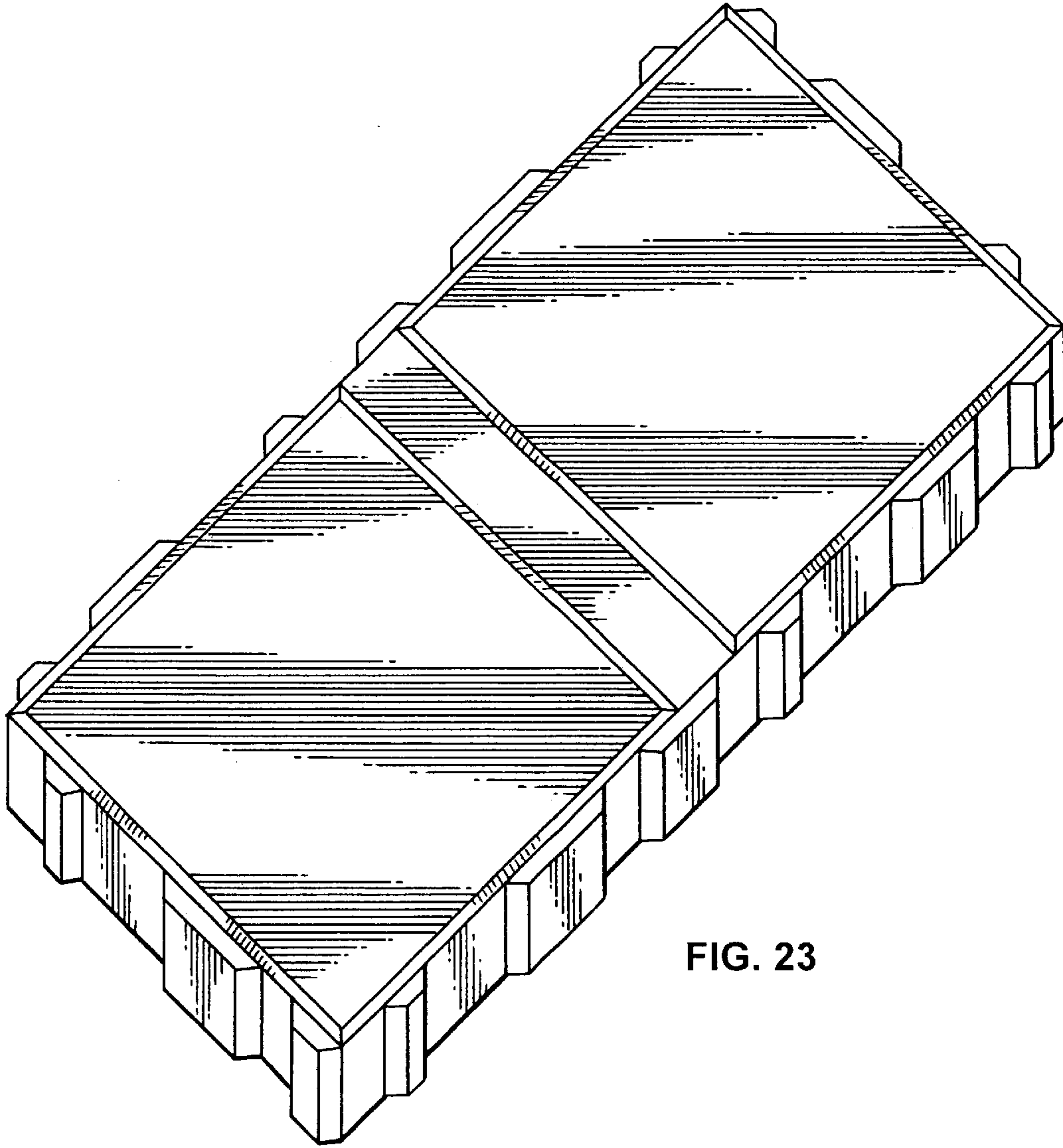


FIG. 23

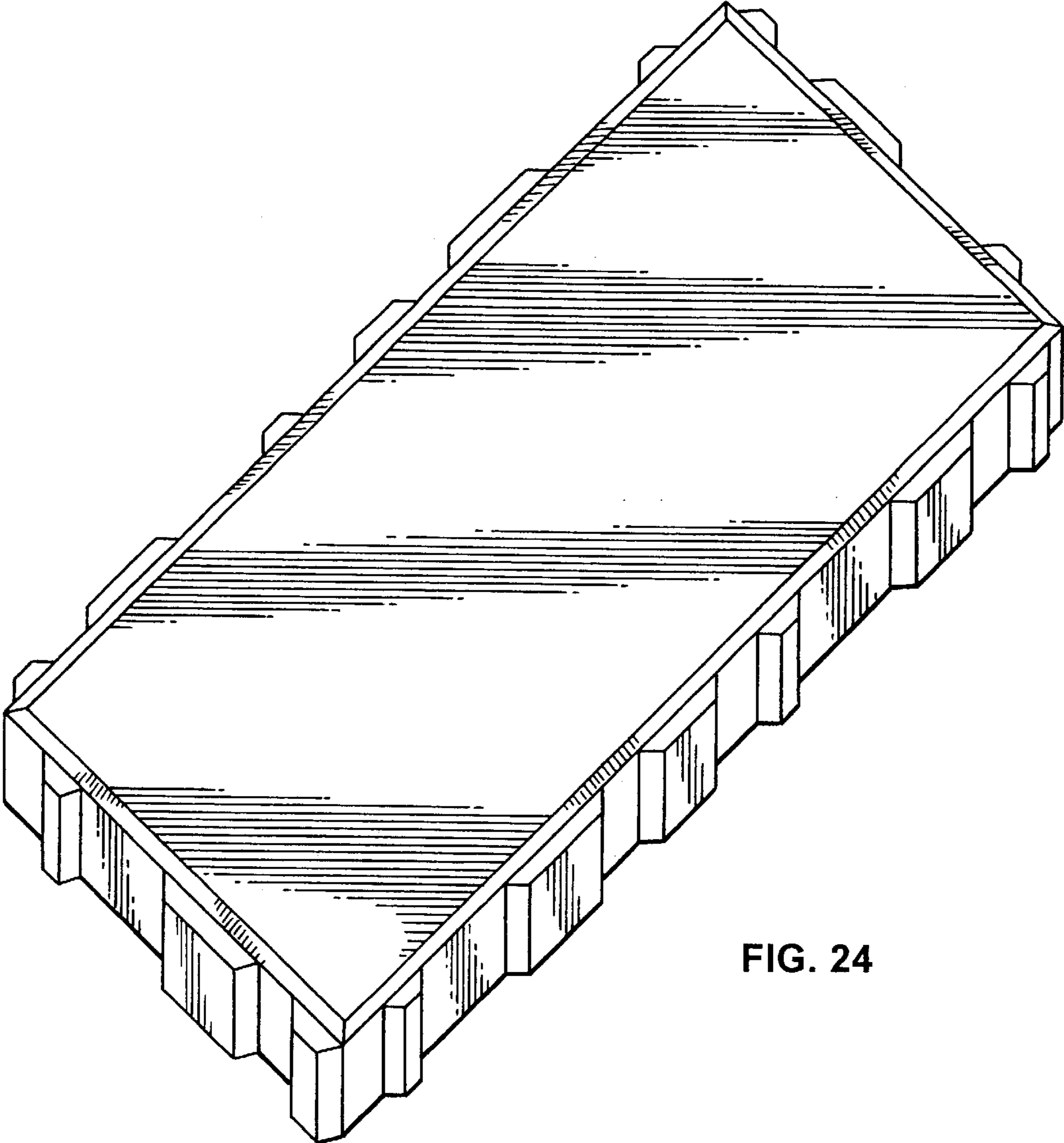


FIG. 24

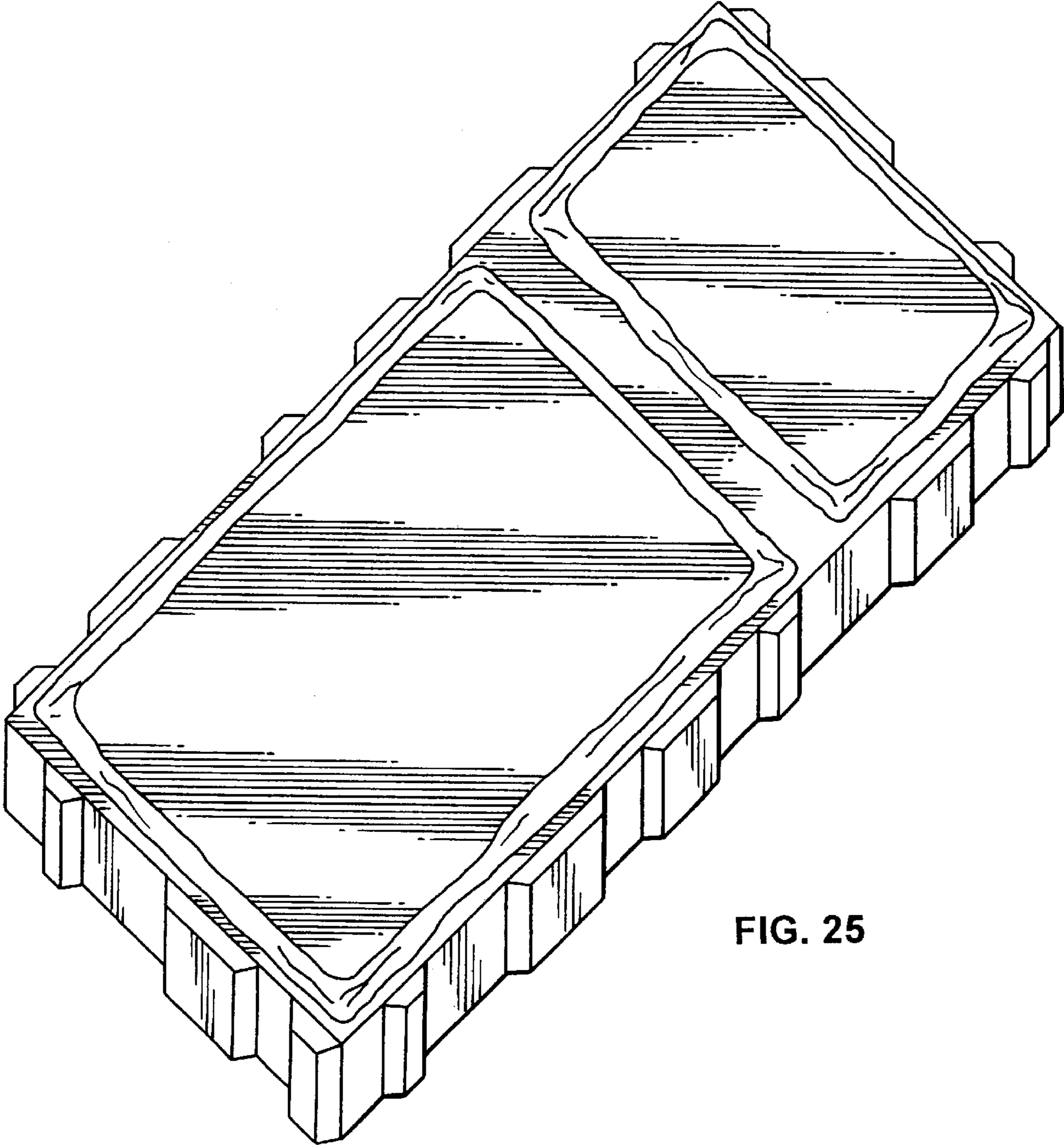


FIG. 25



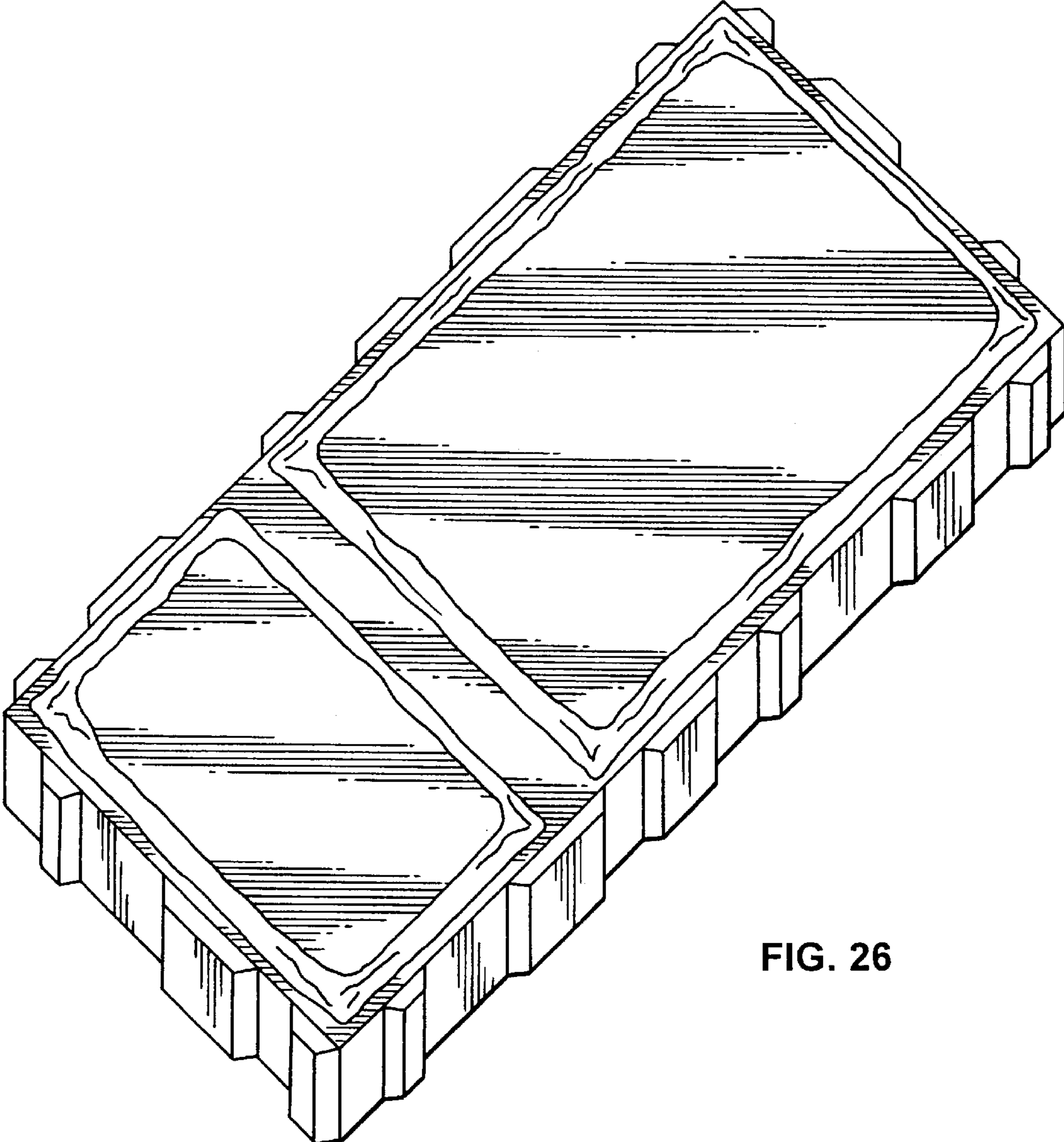


FIG. 26

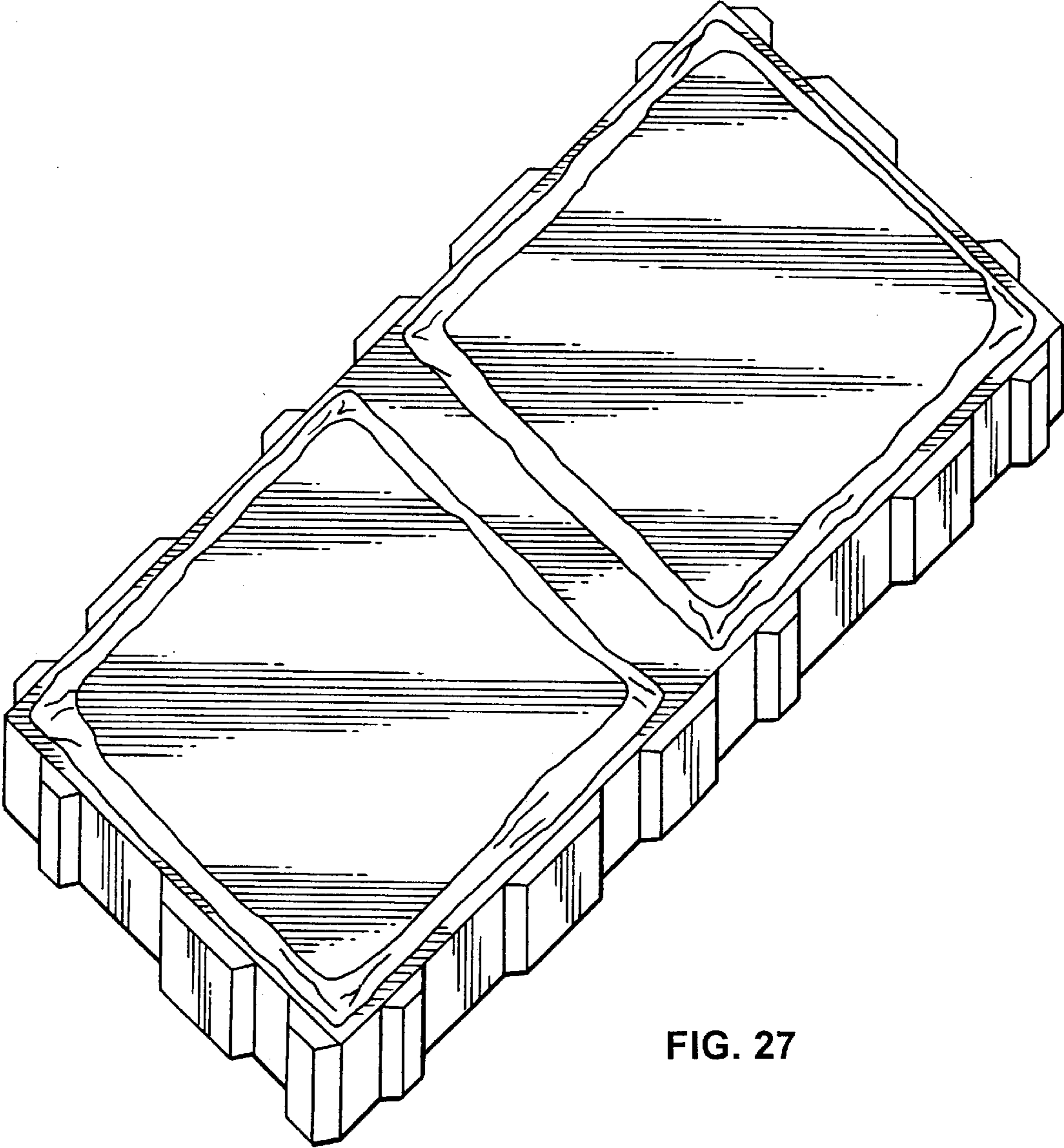


FIG. 27

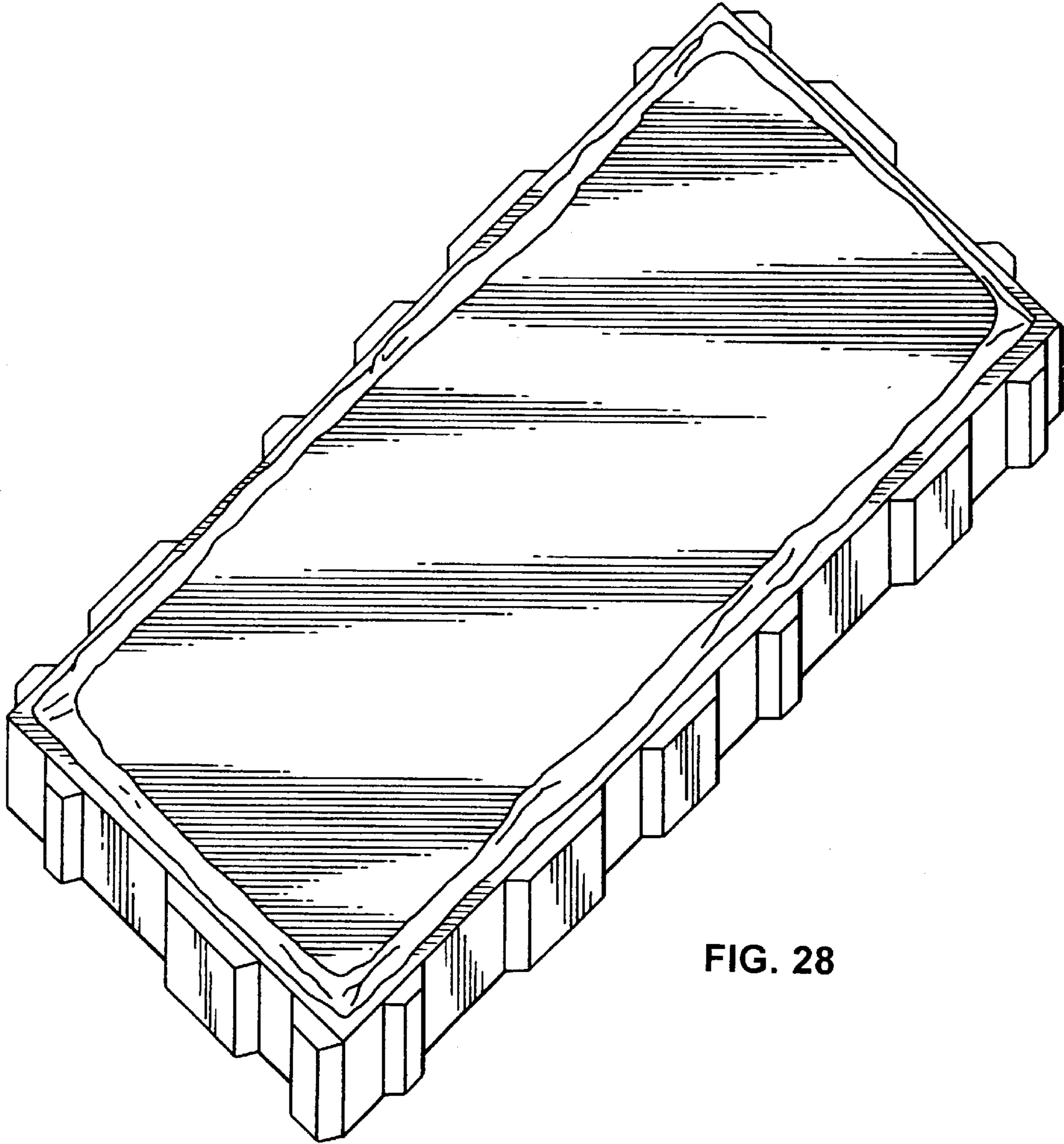


FIG. 28