



US00D511011S

(12) **United States Design Patent** (10) **Patent No.:** **US D511,011 S**
Crump (45) **Date of Patent:** **** Oct. 25, 2005**

(54) **PAVER**

(76) **Inventor:** **Thomas T. Crump**, 107 Chadwick Dr.,
Charleston, SC (US) 29407

(**) **Term:** **14 Years**

(21) **Appl. No.:** **29/198,216**

(22) **Filed:** **Jan. 27, 2004**

(51) **LOC (8) Cl.** **25-01**

(52) **U.S. Cl.** **D25/112**

(58) **Field of Search** D25/112-118,
D25/164; D21/483-486, 499-500; 404/17,
19-20, 27-31, 34-42; 52/102, 596, 574,
612, 603-609

(56) **References Cited**

U.S. PATENT DOCUMENTS

131,931 A	10/1872	Bolliger
903,906 A	11/1908	Soss
1,534,060 A	4/1925	Dexter
1,796,973 A	3/1931	Wright
2,605,681 A	8/1952	Trief
D201,966 S	8/1965	Frese
3,494,266 A	2/1970	Baumberger
3,602,111 A	8/1971	Clemente
D243,020 S	1/1977	Inderwick
5,348,417 A	9/1994	Scheiwiller

6,073,411 A 6/2000 Ciccarello
2001/0041092 A1 11/2001 Göpfert

Primary Examiner—Robert A Delehanty

(74) *Attorney, Agent, or Firm*—Nelson Mullins Riley &
Scarborough LLP

(57) **CLAIM**

The ornamental design of a paver, substantially as shown
and described.

DESCRIPTION

FIG. 1 is a perspective view of the design of the present
invention.

FIG. 2 is a left side elevation view of the design illustrated
in FIG. 1, with the right side elevation view being identical
thereto.

FIG. 3 is a front elevation view of the design illustrated in
FIG. 1, with the rear elevation view being identical thereto.

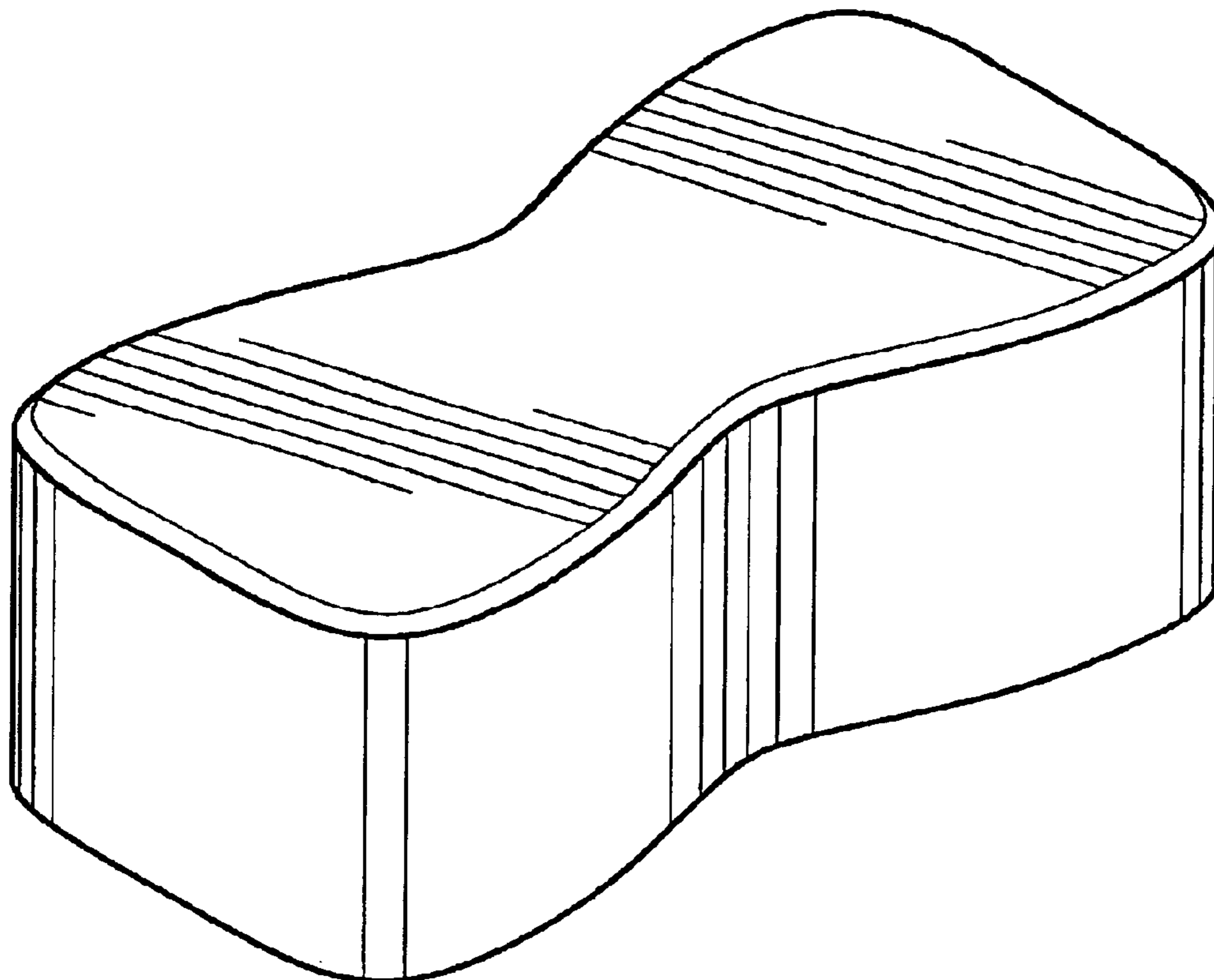
FIG. 4 is a top view of the design illustrated in FIG. 1.

FIG. 5 is a bottom view of the design illustrated in FIG. 1;
and,

FIG. 6 is a top plan view shown on a reduced scale of the
design illustrated in FIG. 1 with a multitude of like pavers
shown in broken lines. The pattern, as illustrated, is repeti-
tive throughout the width and length of the design.

The portions shown in broken lines do not form part of the
claimed design.

1 Claim, 3 Drawing Sheets



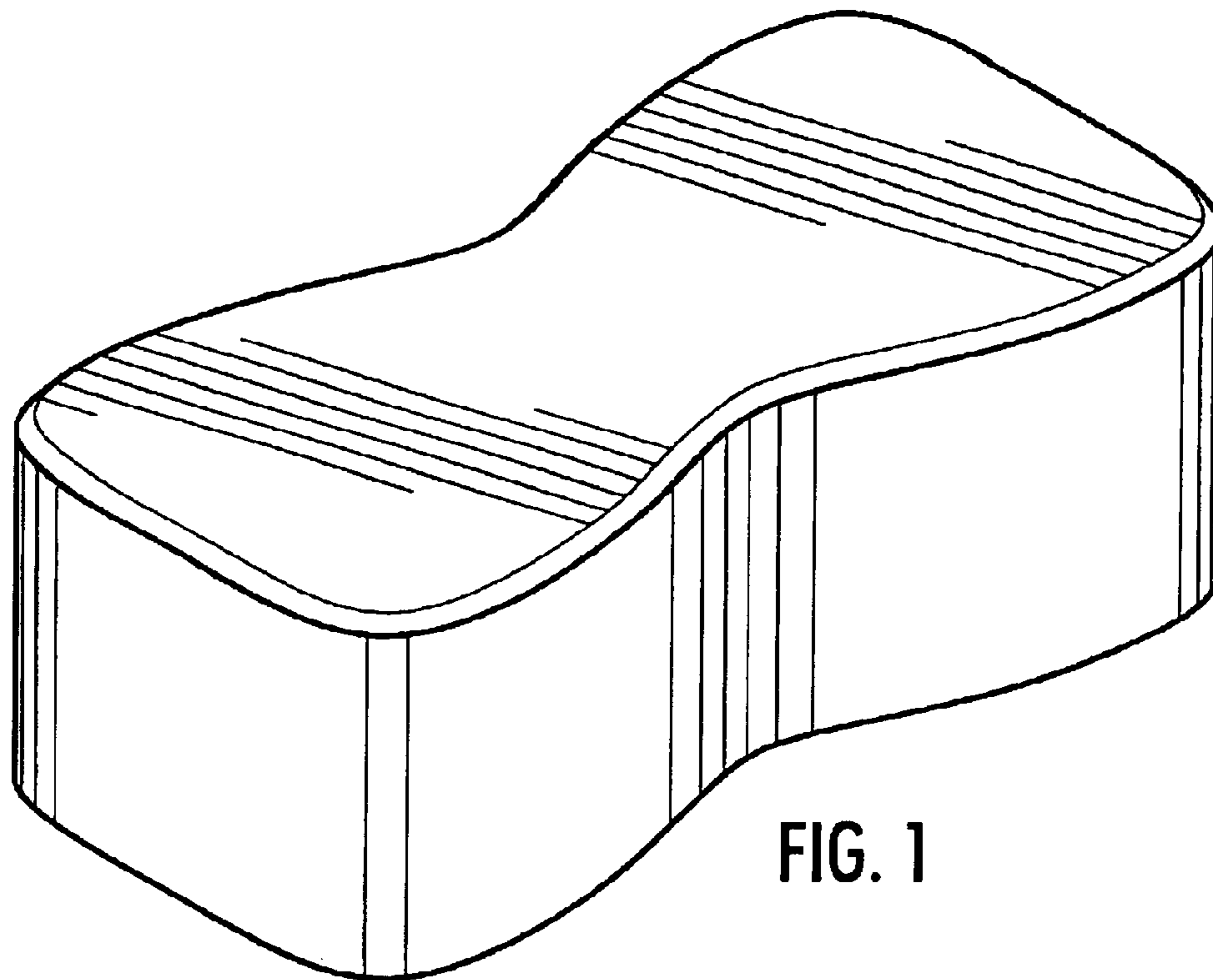


FIG. 1

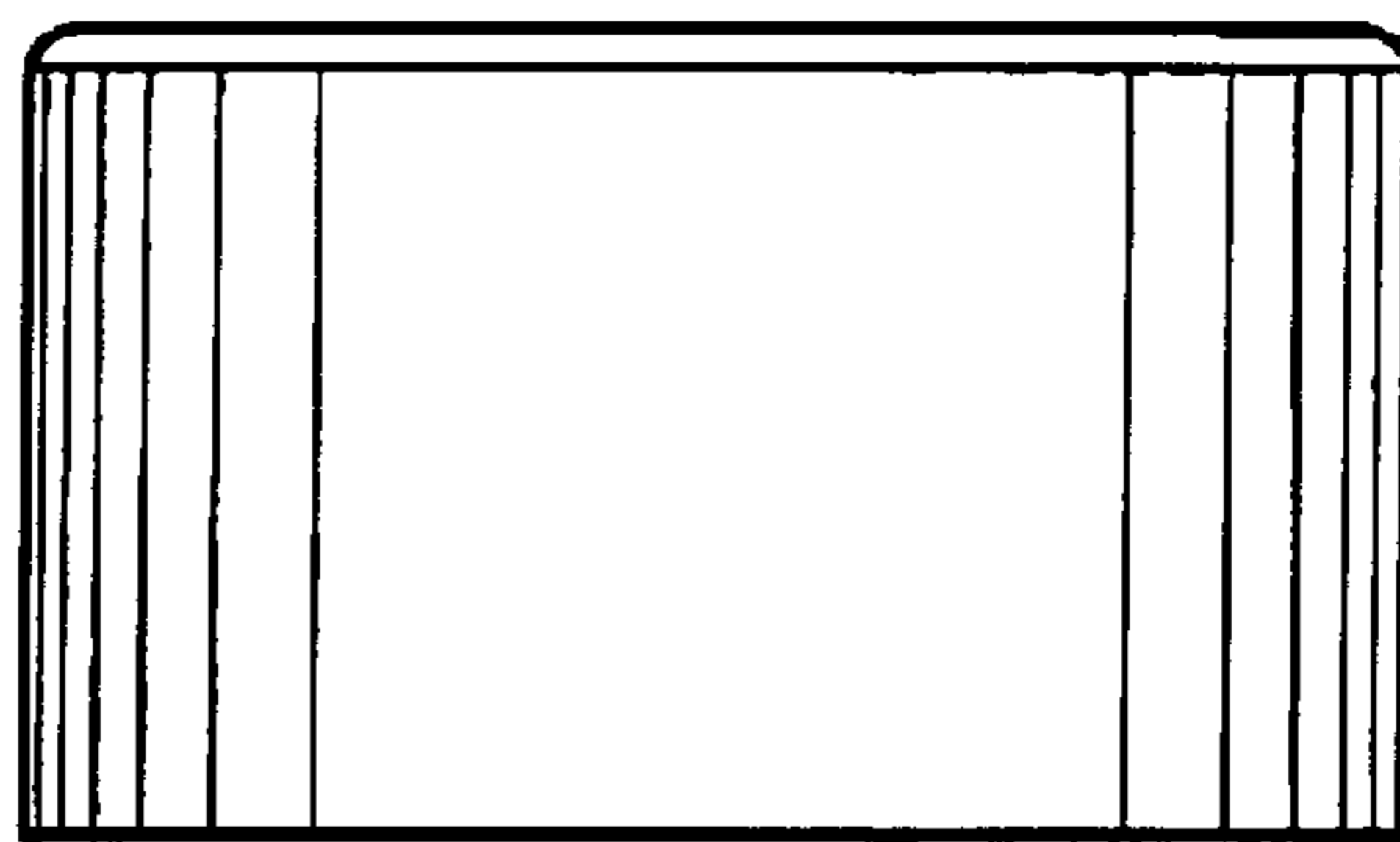


FIG. 2

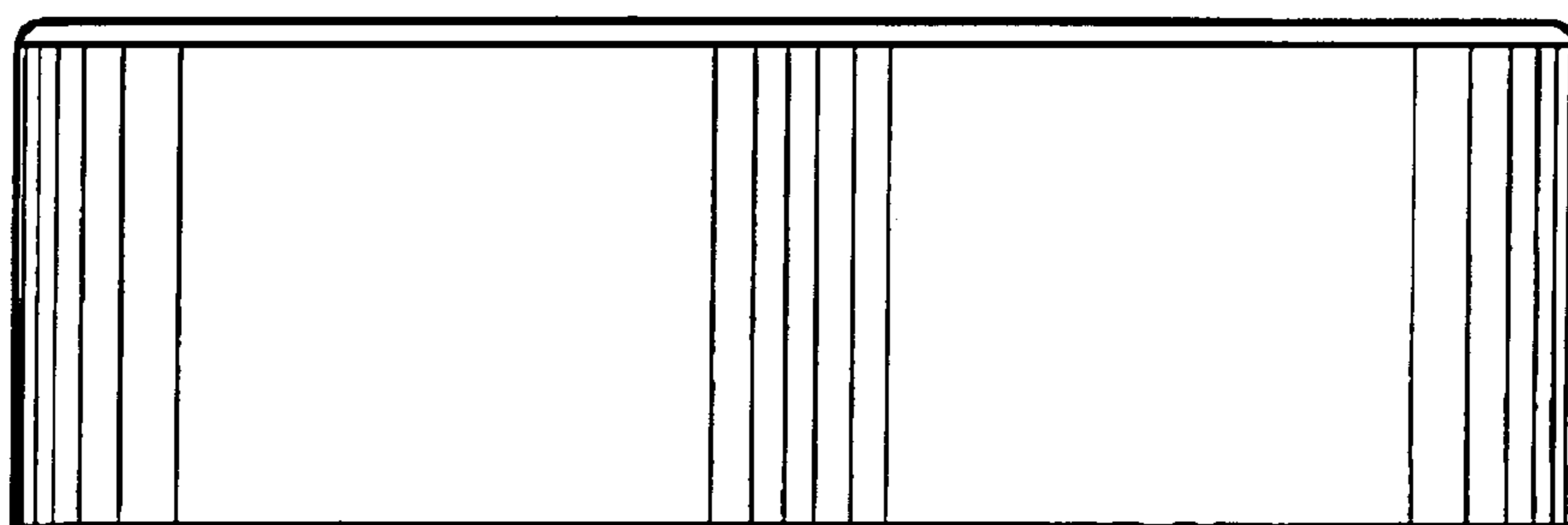


FIG. 3

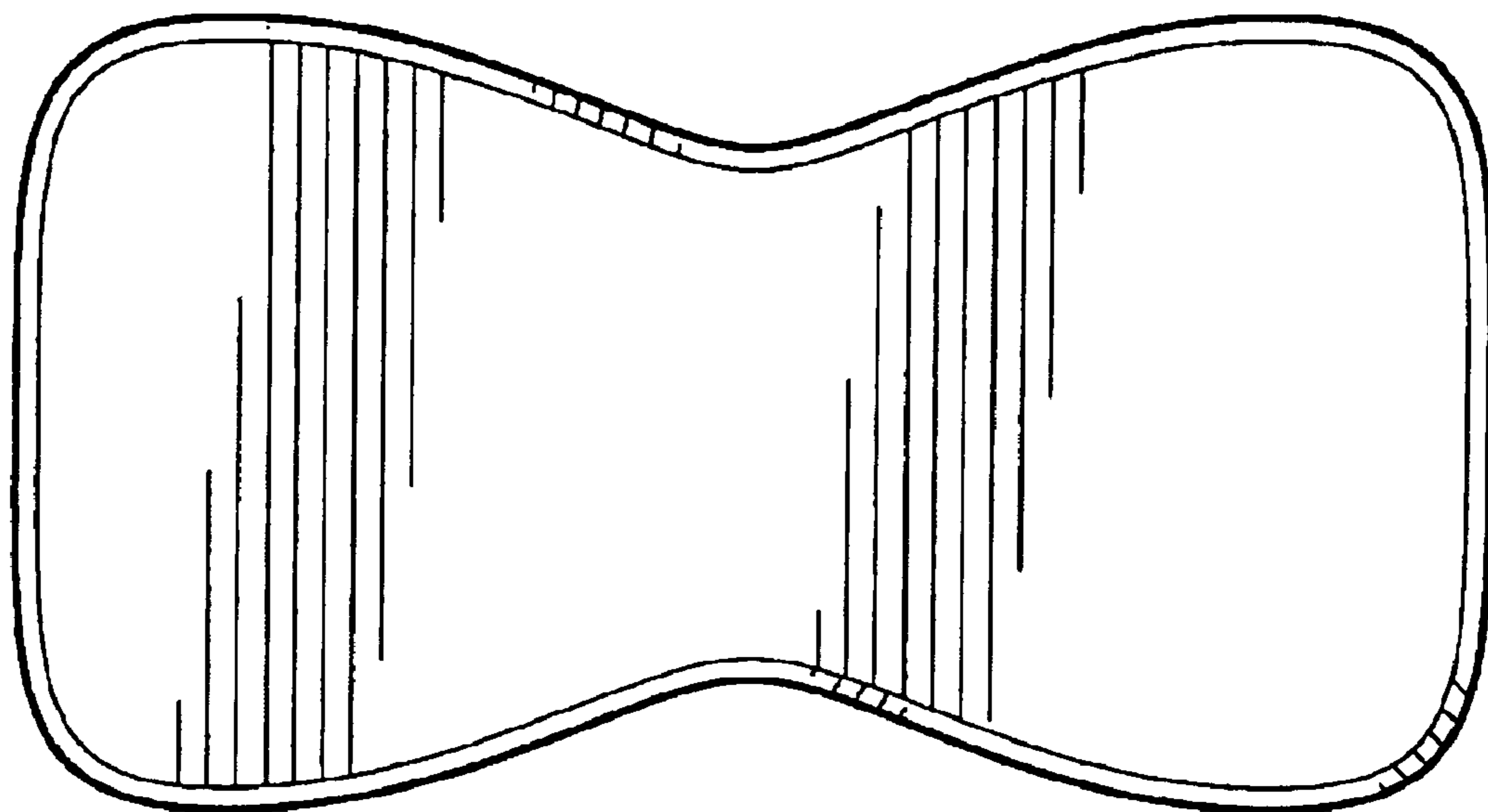


FIG. 4

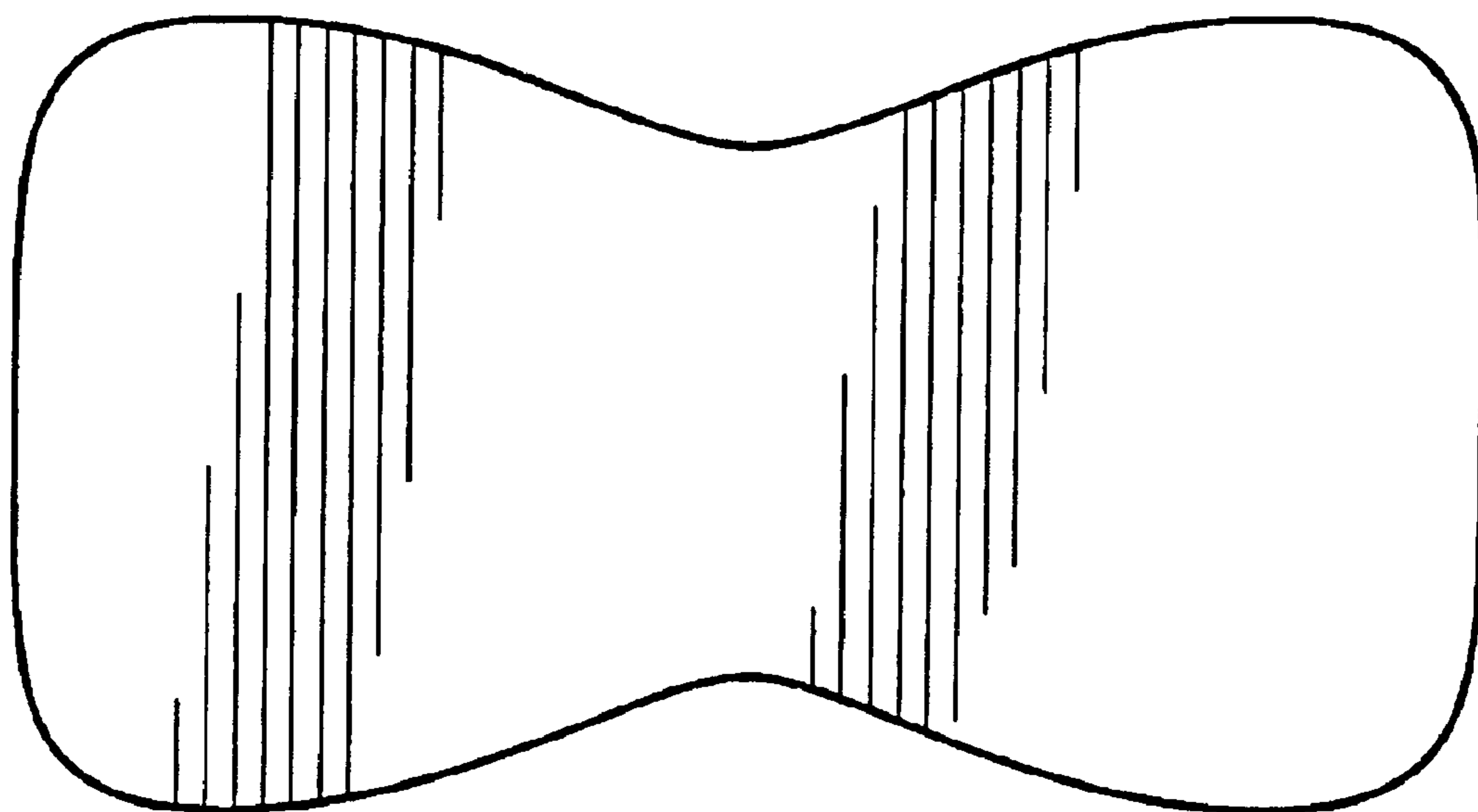


FIG. 5

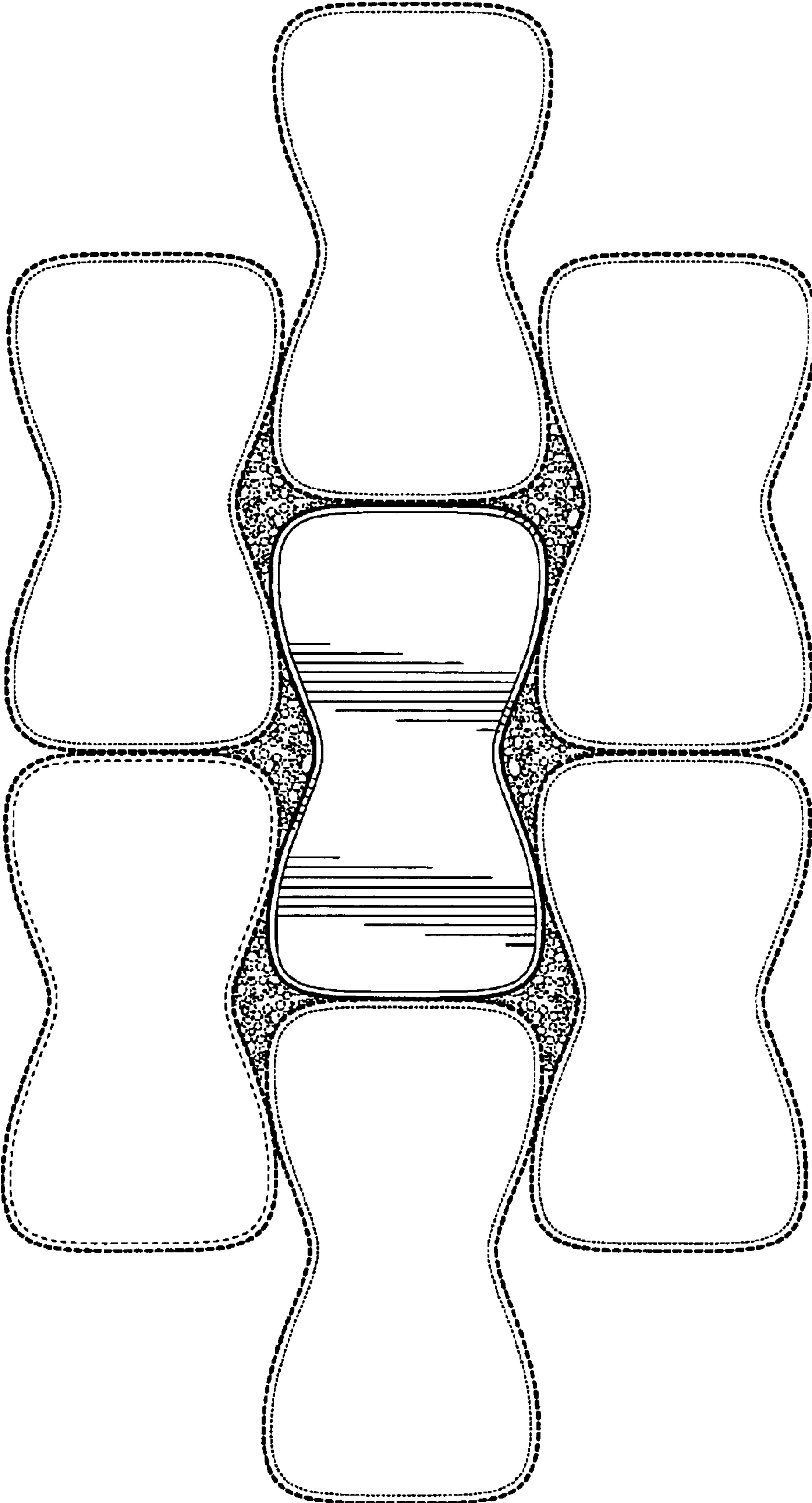


FIG. 6