



US00D511010S

(12) **United States Design Patent** (10) **Patent No.:** **US D511,010 S**
Schildge (45) **Date of Patent:** **** Oct. 25, 2005**

(54) **ARCHED DUAL UNIT CABLE STAY BUILDING**

(76) Inventor: **Adam T. Schildge**, 899 Green St., San Francisco, CA (US) 94133

(**) Term: **14 Years**

(21) Appl. No.: **29/206,574**

(22) Filed: **Jun. 1, 2004**

(51) **LOC (8) Cl.** **25-02**

(52) **U.S. Cl.** **D25/56**

(58) **Field of Search** D25/56; 52/82, 52/87, 83, 90.1; 135/908

(56) **References Cited**

U.S. PATENT DOCUMENTS

2,103,859 A	12/1937	MacFarren	108/1
2,574,307 A	11/1951	Whelan	52/83
D189,810 S	2/1961	Selby	25/56
D242,068 S	10/1976	Barber	25/21
D270,570 S	9/1983	Schildge	25/56
D274,842 S *	7/1984	Schildge, Jr.	D25/1
D415,572 S *	10/1999	Goldwitz	D25/56
6,026,614 A *	2/2000	Johnston	52/82

OTHER PUBLICATIONS

American Builder, May 1964, pp. 96 and 97, A-Frame Building Illustration.
 Engineering News-Record, Jan. 8, 1959, p. 33, Building Illustration.
 Engineering News-Record, Aug. 11, 2003, pp. 33, Monster Wood Ceiling Crowns City of Angels' Music Hall.

* cited by examiner

Primary Examiner—Doris Clark
(74) Attorney, Agent, or Firm—John K. Uilkema; Thelen Reid & Priest LLP

(57) **CLAIM**

The ornamental design for an arched dual unit cable stay building, as shown and described.

DESCRIPTION

FIG. 1 is a front perspective view of the arched dual unit cable stay building;

FIG. 2 is a front perspective view of the arched dual unit cable stay building, with the roof removed therefrom;

FIG. 3 is a front elevational view of the arched dual unit cable stay building;

FIG. 4 is an end elevational view of the arched dual unit cable stay building;

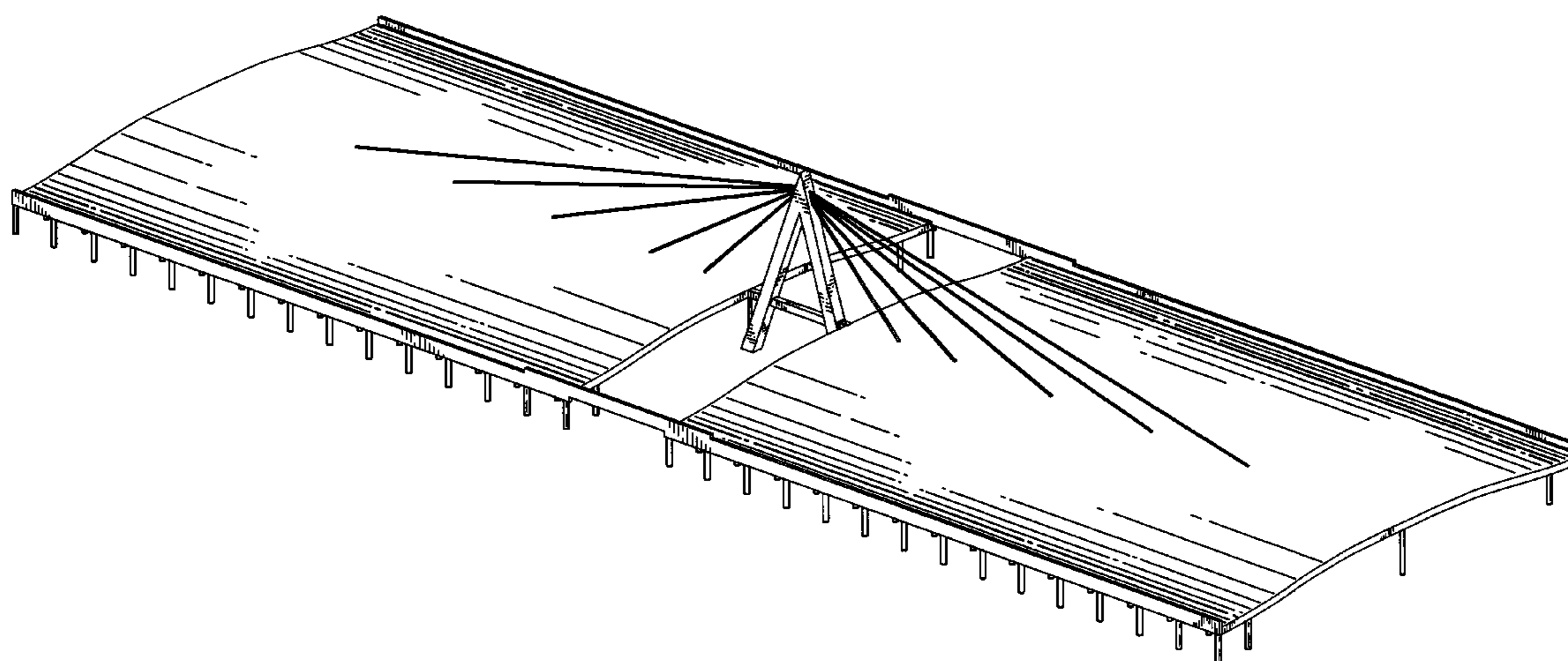
FIG. 5 is a top plan view of the arched dual unit cable stay building;

FIG. 6 is a front elevational view of the arched dual unit cable stay building, with broken lines showing a wall which may be placed on the side of the building; and,

FIG. 7 is an end elevational view of the arched dual unit cable stay building, with broken lines showing a wall which may be placed on the end of the building.

The broken line showings of the arched dual unit cable stay building are for illustrative purposes only and form no part of the claimed design.

1 Claim, 5 Drawing Sheets



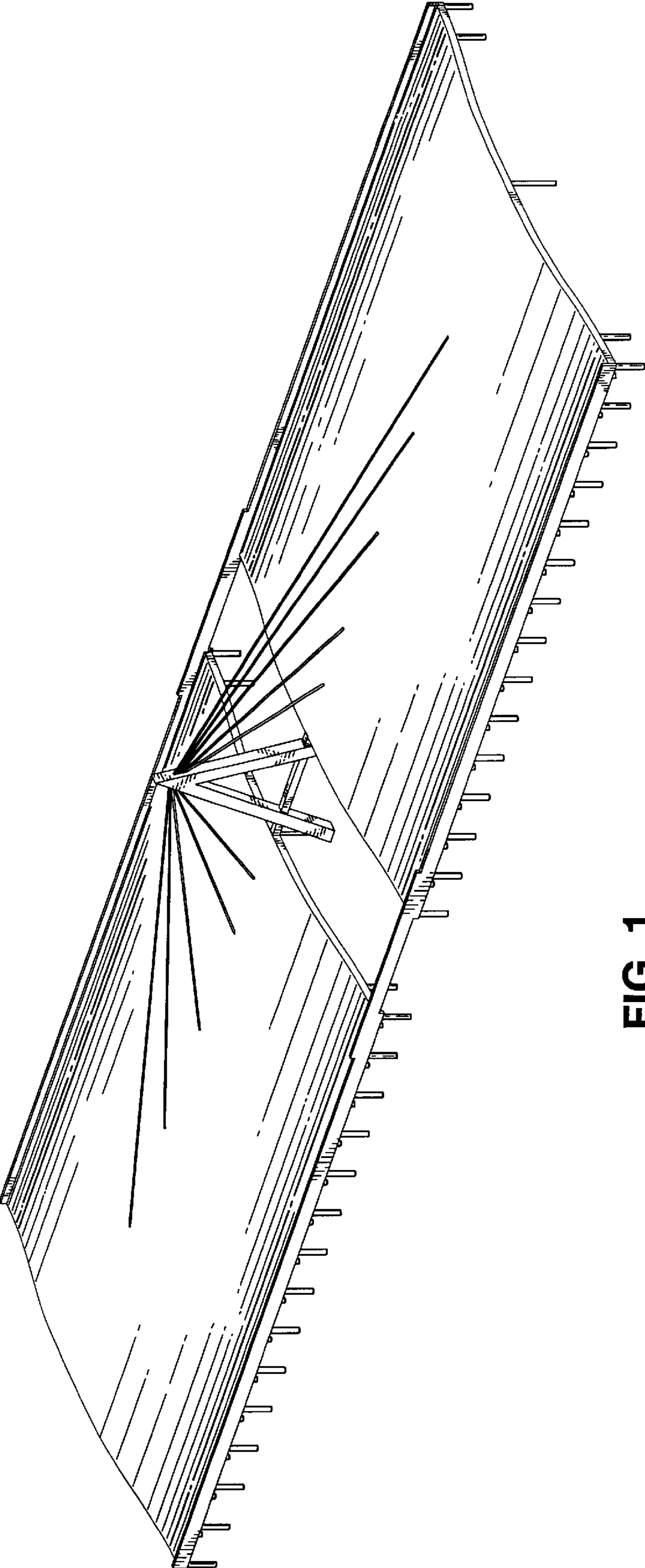


FIG. 1

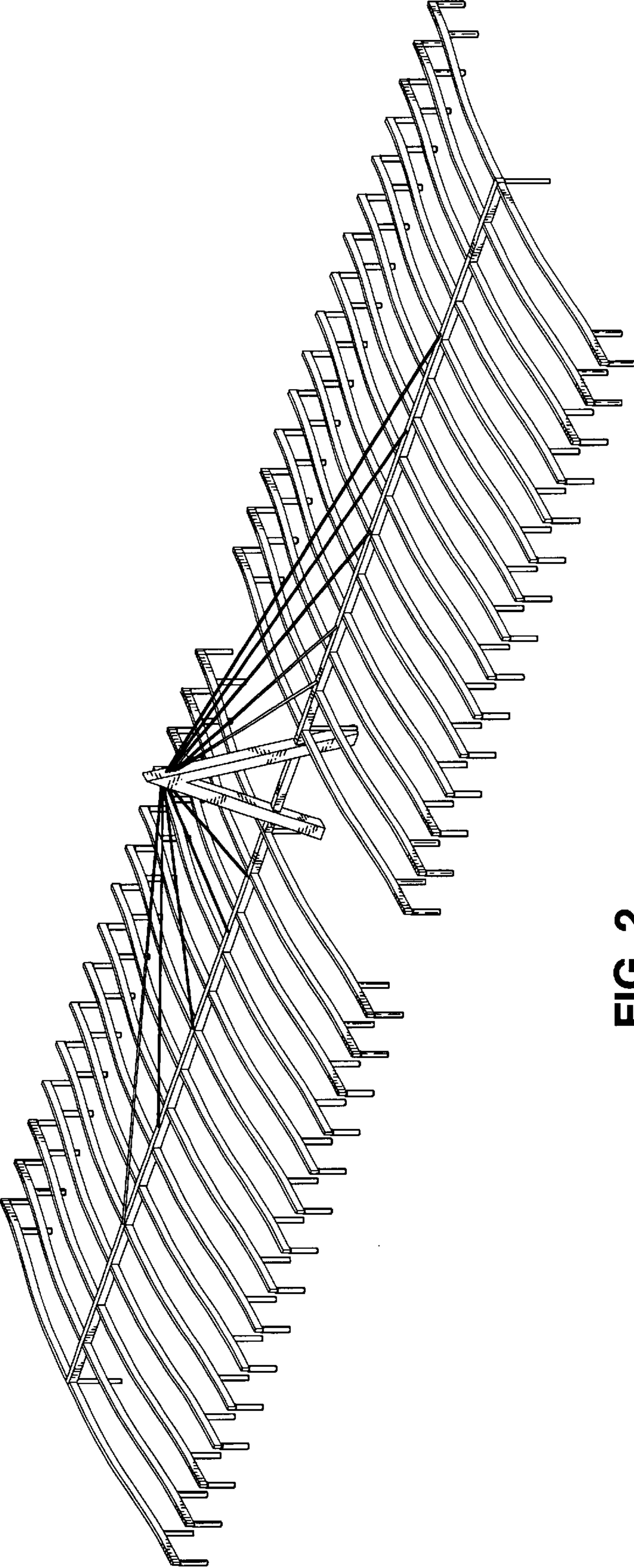


FIG. 2

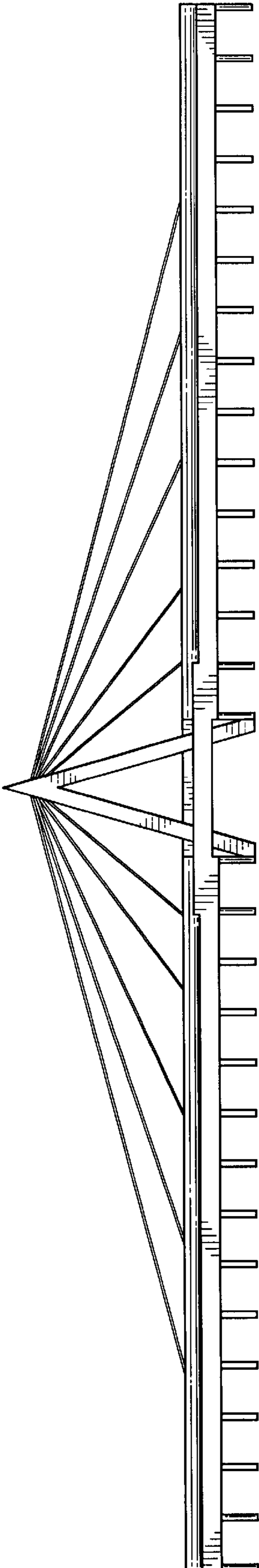


FIG. 3

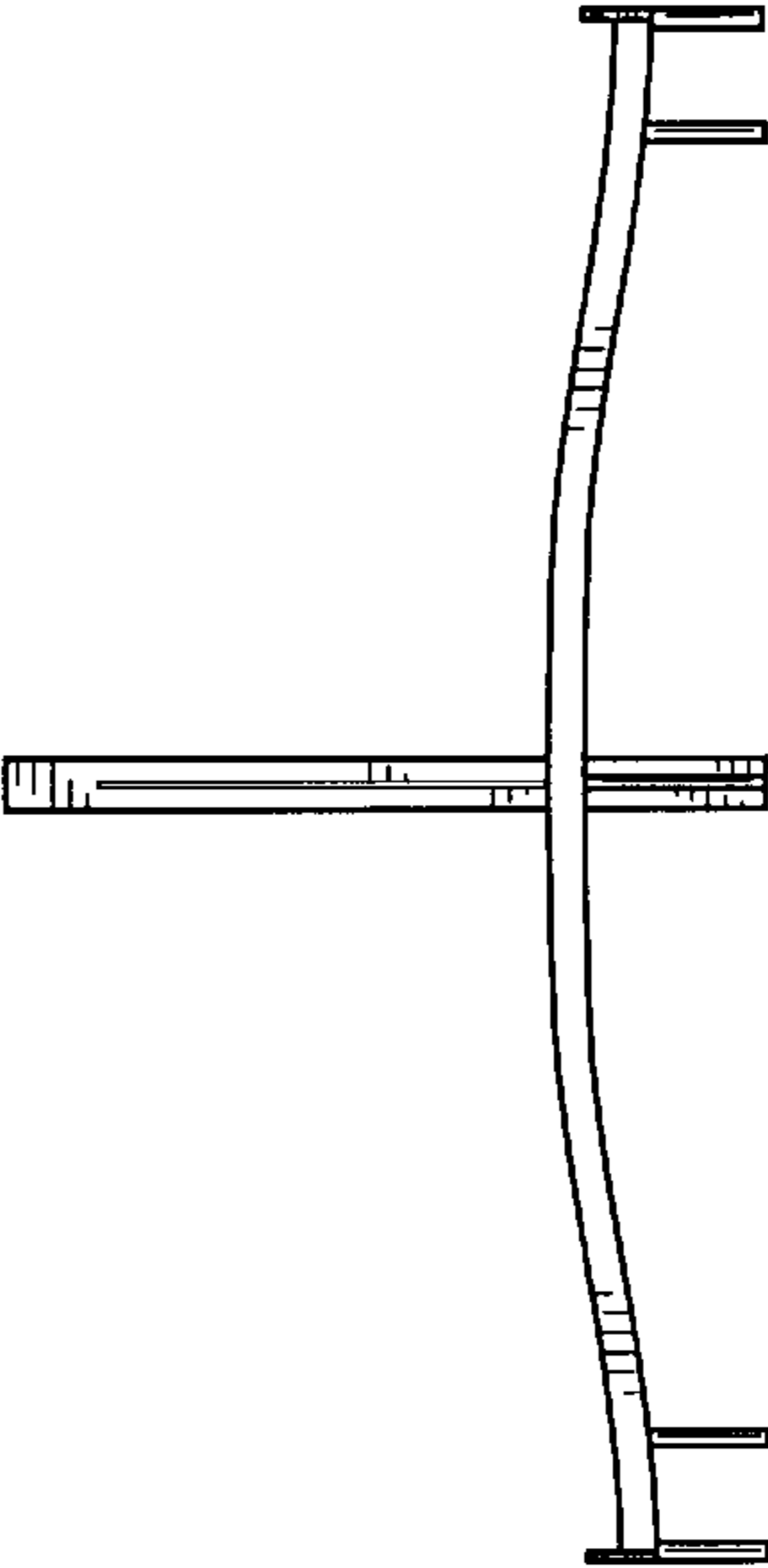


FIG. 4

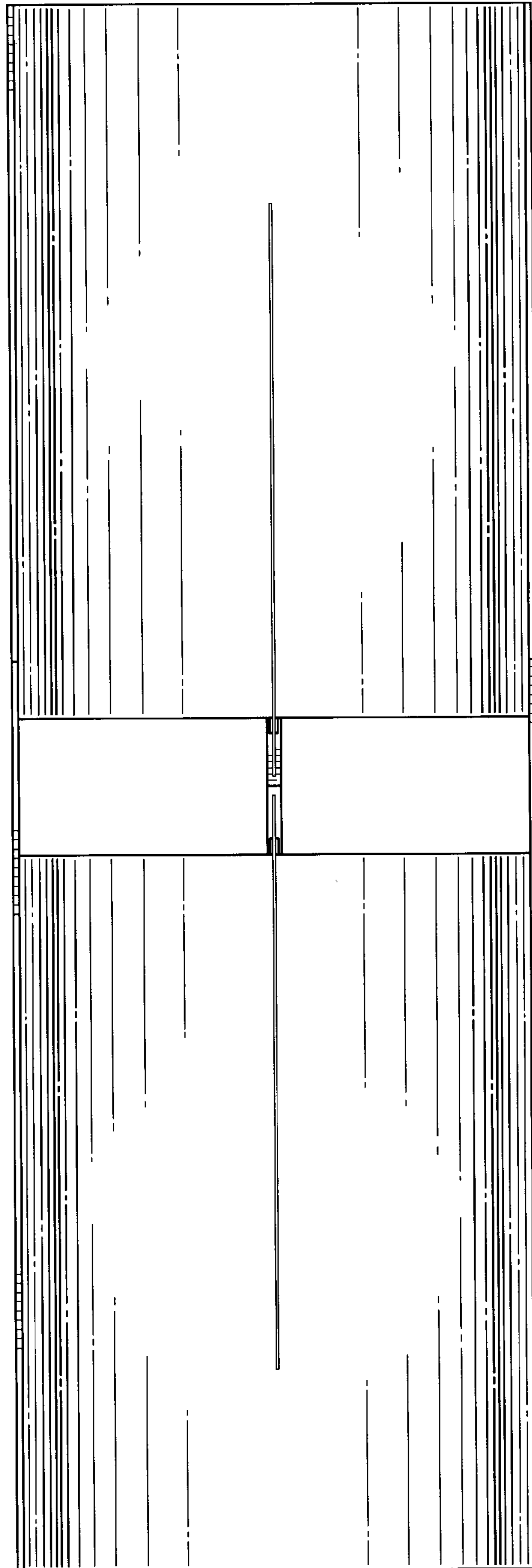


FIG. 5

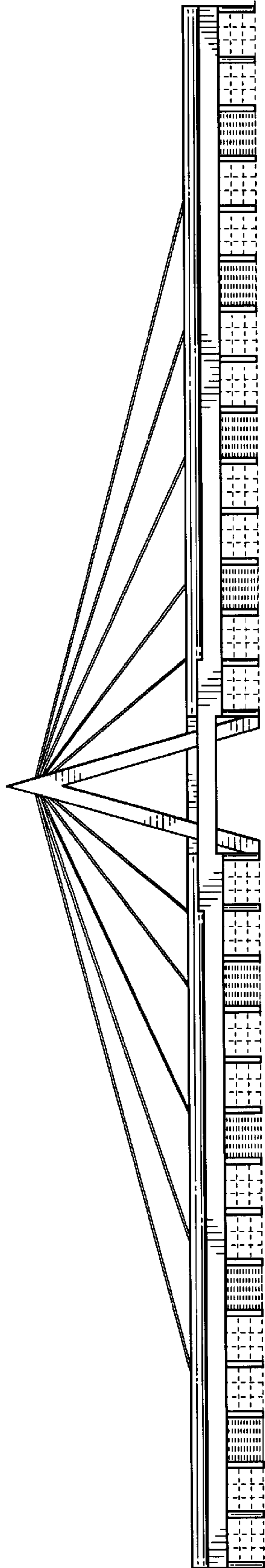


FIG. 6

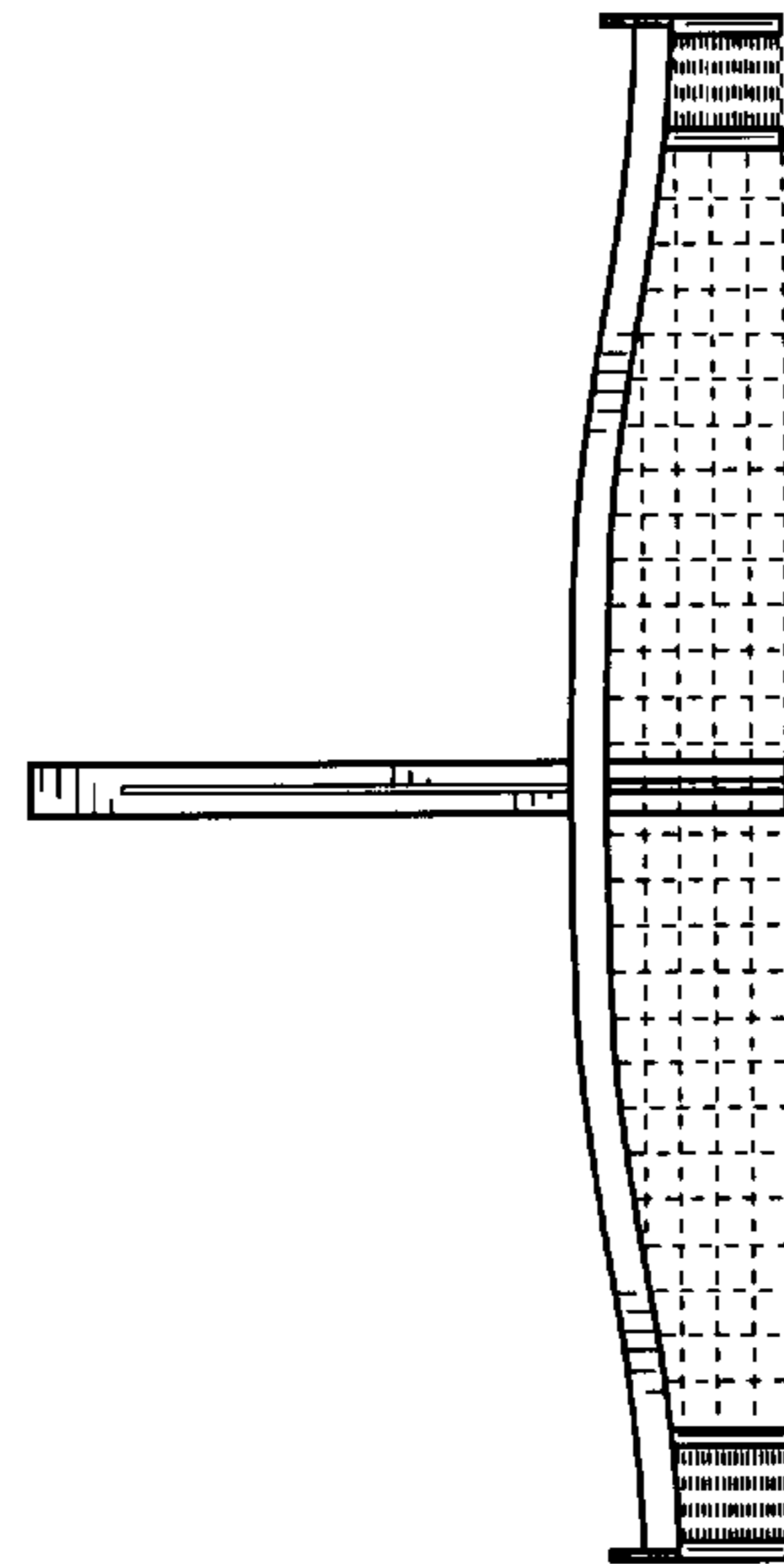


FIG. 7