



US00D511007S

(12) **United States Design Patent** (10) **Patent No.:** **US D511,007 S**  
**Ghédin** (45) **Date of Patent:** **\*\* Oct. 25, 2005**

(54) **COMBINED VACUUM AIDED MASSAGE DEVICE WITH HAND HELD ROLLER MASSAGER**

(76) Inventor: **Éric Ghédin**, 4360, rue Hingston, Montréal, Quebec (CA), H4A 2J9

(\*\*) Term: **14 Years**

(21) Appl. No.: **29/181,154**

(22) Filed: **May 7, 2003**

(30) **Foreign Application Priority Data**

Jan. 9, 2003 (CA) ..... 101730

(51) **LOC (8) Cl.** ..... **24-01**

(52) **U.S. Cl.** ..... **D24/200; D24/215**

(58) **Field of Search** ..... D24/200, 211, D24/214, 215; 601/72, 115, 73, 15, 149, 150, 7, 70, 71, 6, 123

(56) **References Cited**

**U.S. PATENT DOCUMENTS**

D329,291 S \* 9/1992 Wollman ..... D24/214  
D404,496 S \* 1/1999 Tudico ..... D24/215  
D438,309 S \* 2/2001 Young ..... D24/215  
D438,973 S \* 3/2001 Tudico ..... D24/200

\* cited by examiner

*Primary Examiner*—Ian Simmons

(57) **CLAIM**

The ornamental design for a combined vacuum aided massage device with hand held roller massager, as shown and described.

**DESCRIPTION**

FIG. 1 is a front view of a combined vacuum aided massage device with hand held roller massager showing my new design;

FIG. 2 is a left side view thereof;  
FIG. 3 is a right side view thereof;  
FIG. 4 is a rear view thereof;  
FIG. 5 is a perspective view thereof;  
FIG. 6 is a perspective view thereof, with the lid shown in open condition;  
FIG. 7 is an enlarged fragmentary front view thereof of the control panel;  
FIG. 8 is an enlarged fragmentary perspective front view thereof, with the lid shown in open condition, showing hand held roller massagers;  
FIG. 9 is a bottom plan view of the 38 millimeter hand held roller massager, shown removed from the combined vacuum aided massage device for ease of illustration;  
FIG. 10 is a side view thereof;  
FIG. 11 is a top plan view thereof;  
FIG. 12 is a perspective view thereof;  
FIG. 13 is a top plan view of the 51 millimeter hand held roller massager, shown removed from the combined vacuum aided massage device for ease of illustration;  
FIG. 14 is a rear view thereof;  
FIG. 15 is a side view thereof;  
FIG. 16 is a top plan view thereof;  
FIG. 17 is a perspective view thereof;  
FIG. 18 is a side view of the 64 millimeter hand held roller massager, shown removed from the combined vacuum aided massage device for ease of illustration;  
FIG. 19 is a top plan view thereof;  
FIG. 20 is a rear view thereof;  
FIG. 21 is a bottom plan view of the 25 millimeter hand held roller massager, shown removed from the combined vacuum aided massage device for ease of illustration;  
FIG. 22 is a side view thereof;  
FIG. 23 is a top plan view thereof; and,  
FIG. 24 is a perspective view thereof.

**1 Claim, 13 Drawing Sheets**

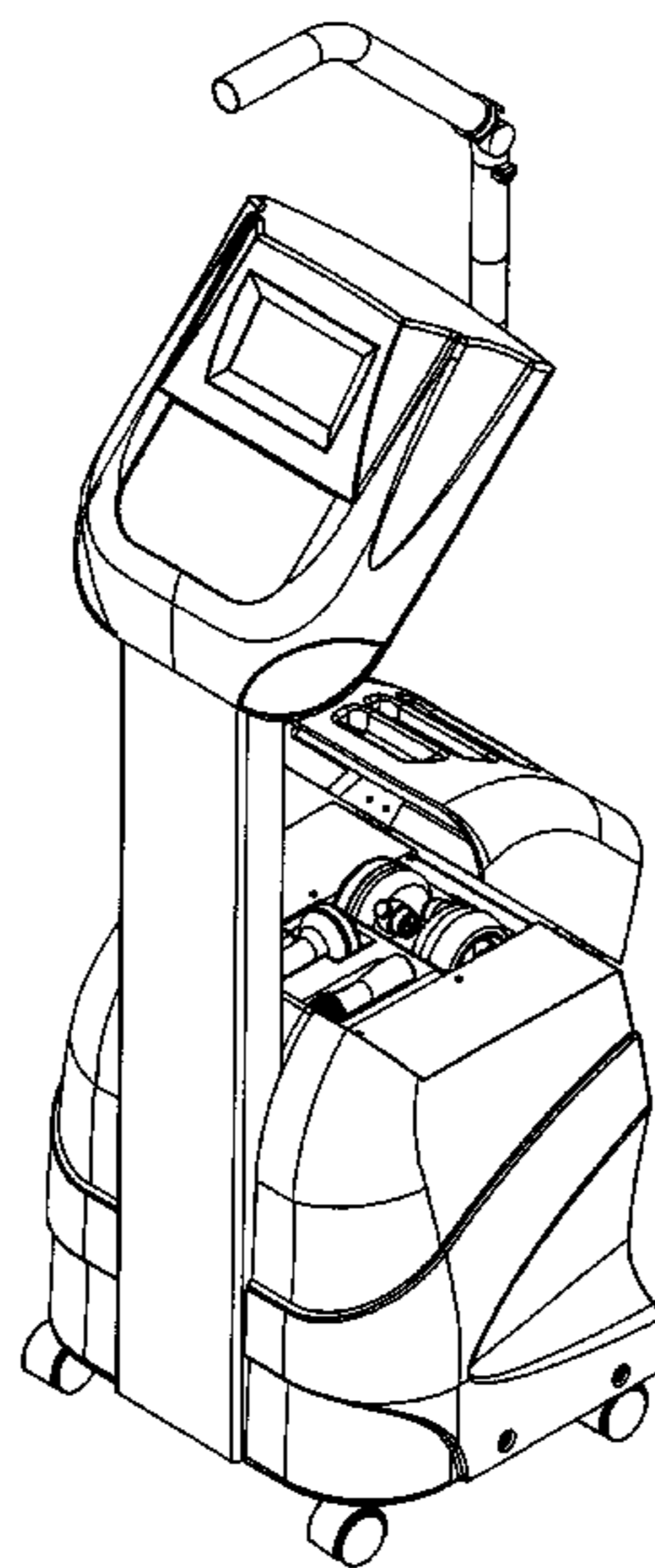


FIG. 1

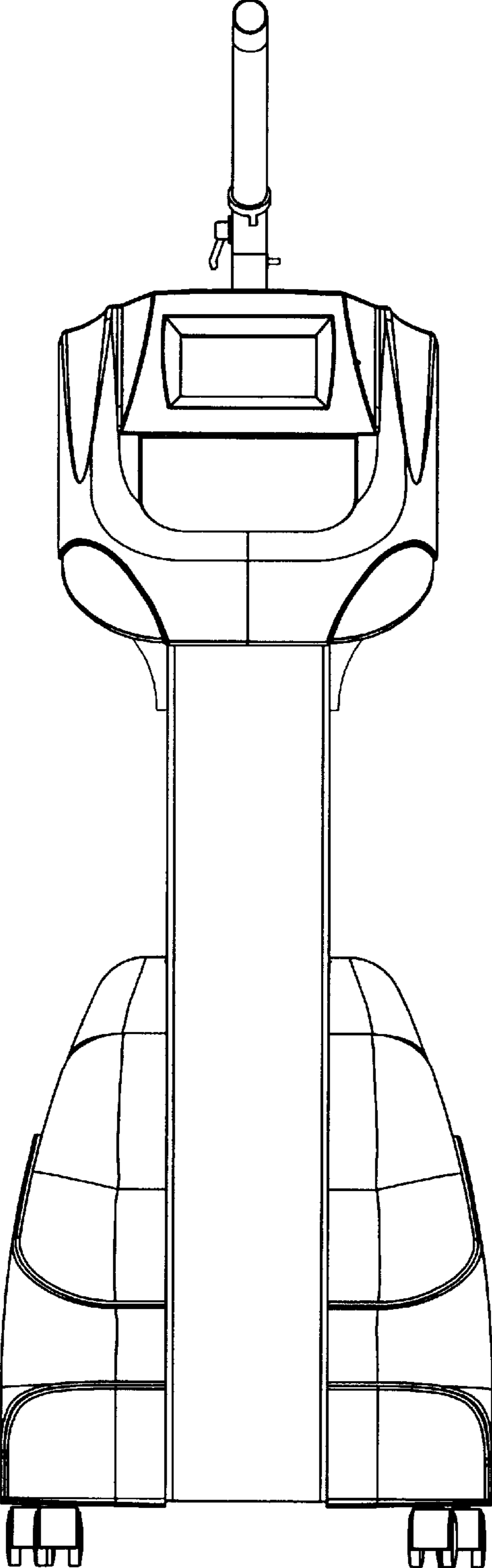


FIG. 2

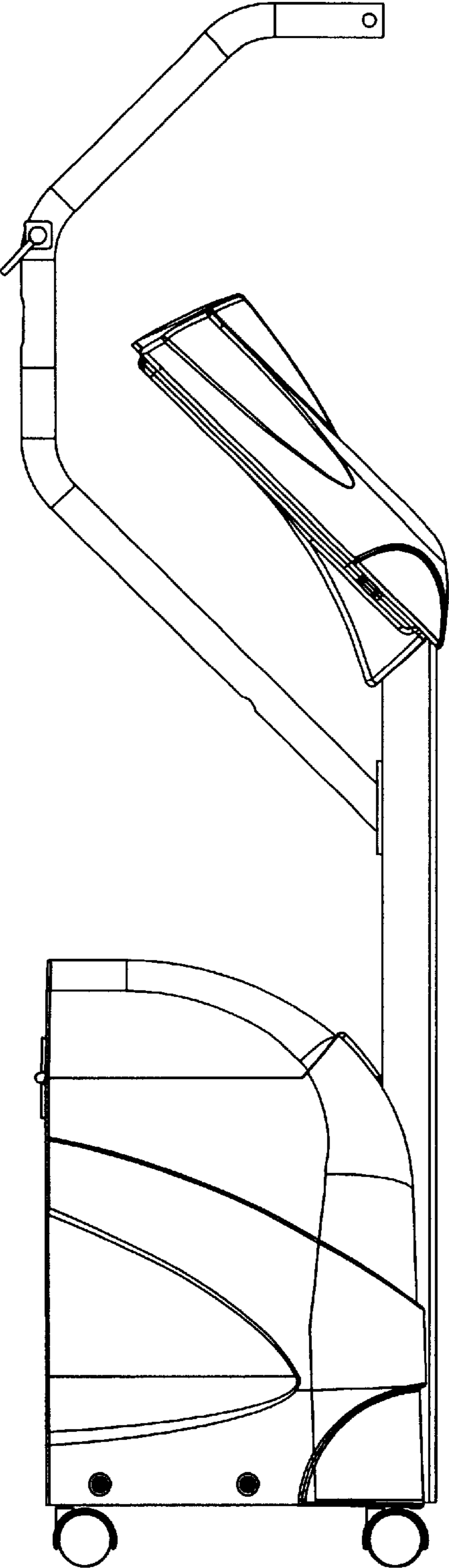


FIG. 3

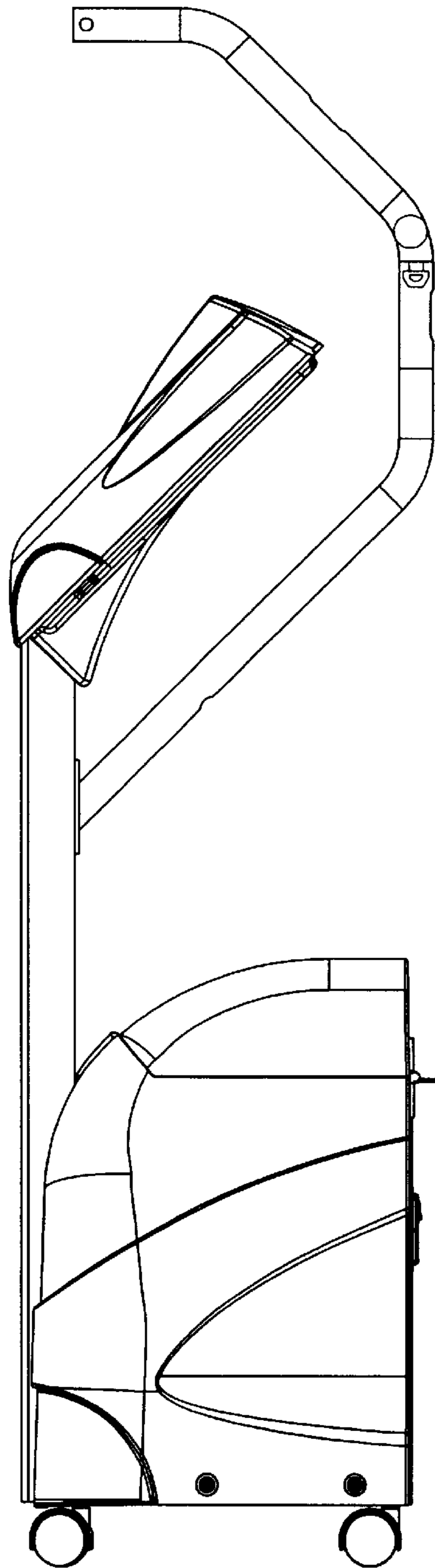


FIG. 4

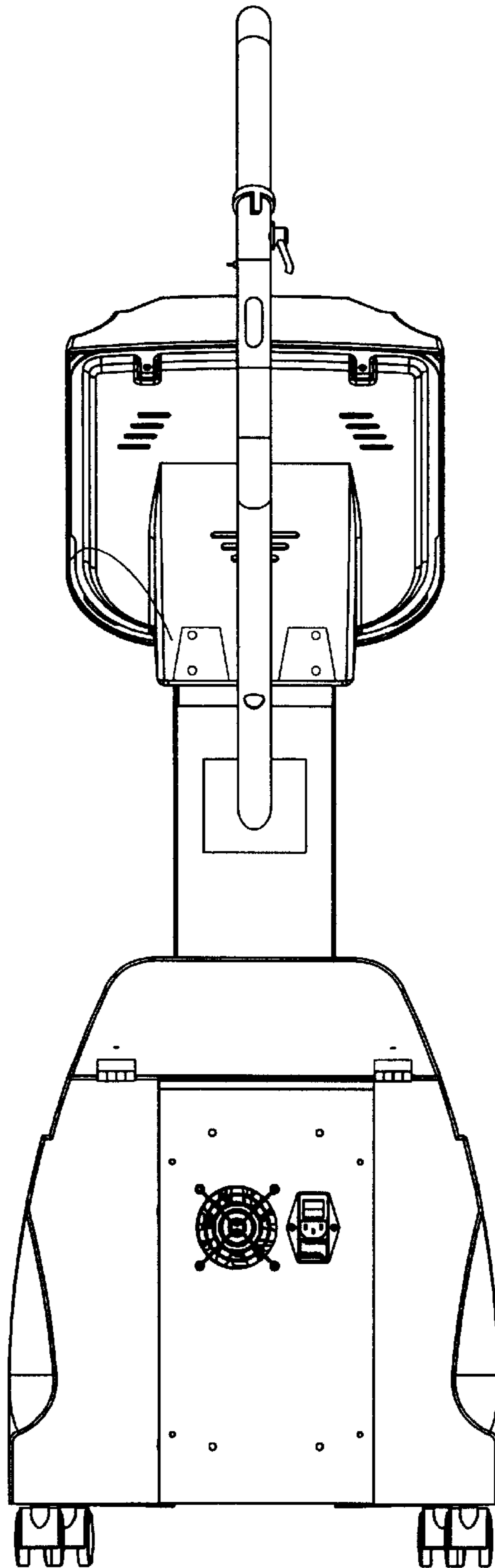


FIG. 5

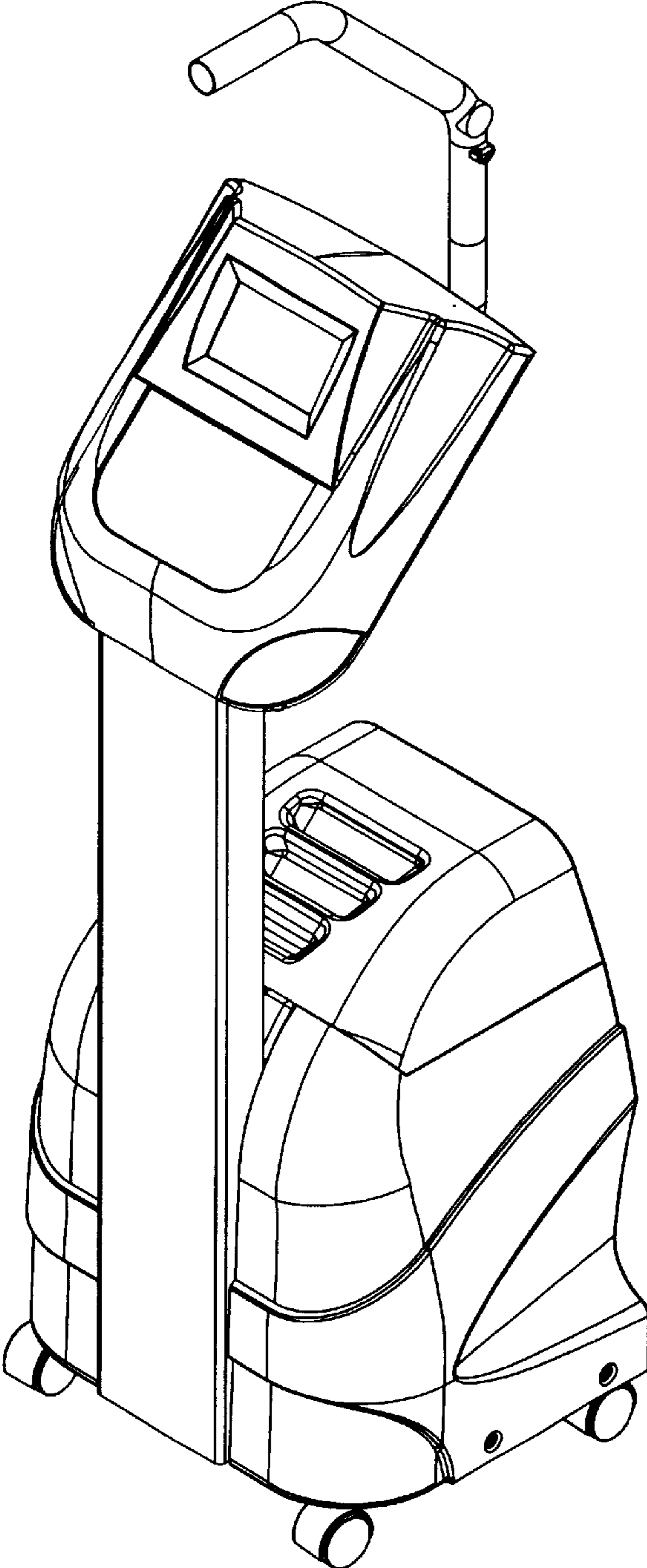


FIG. 6

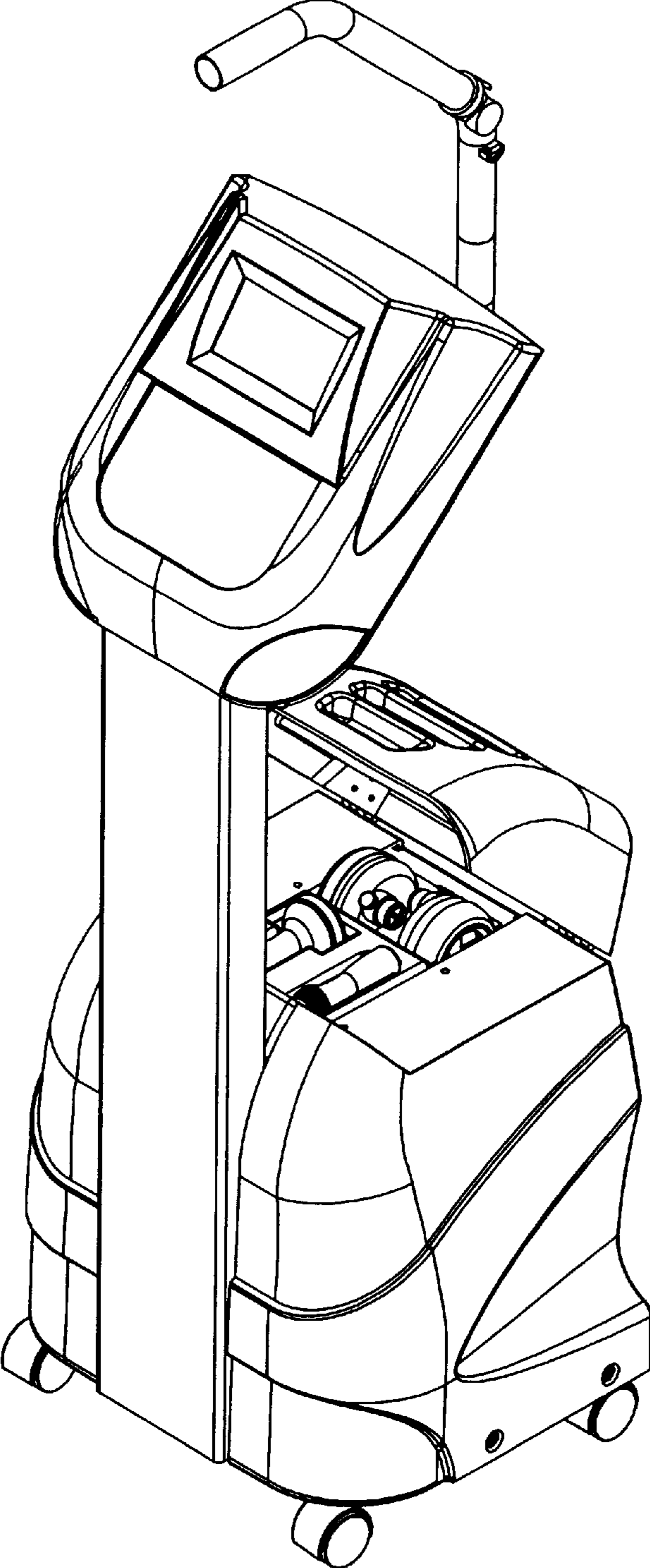


FIG. 7

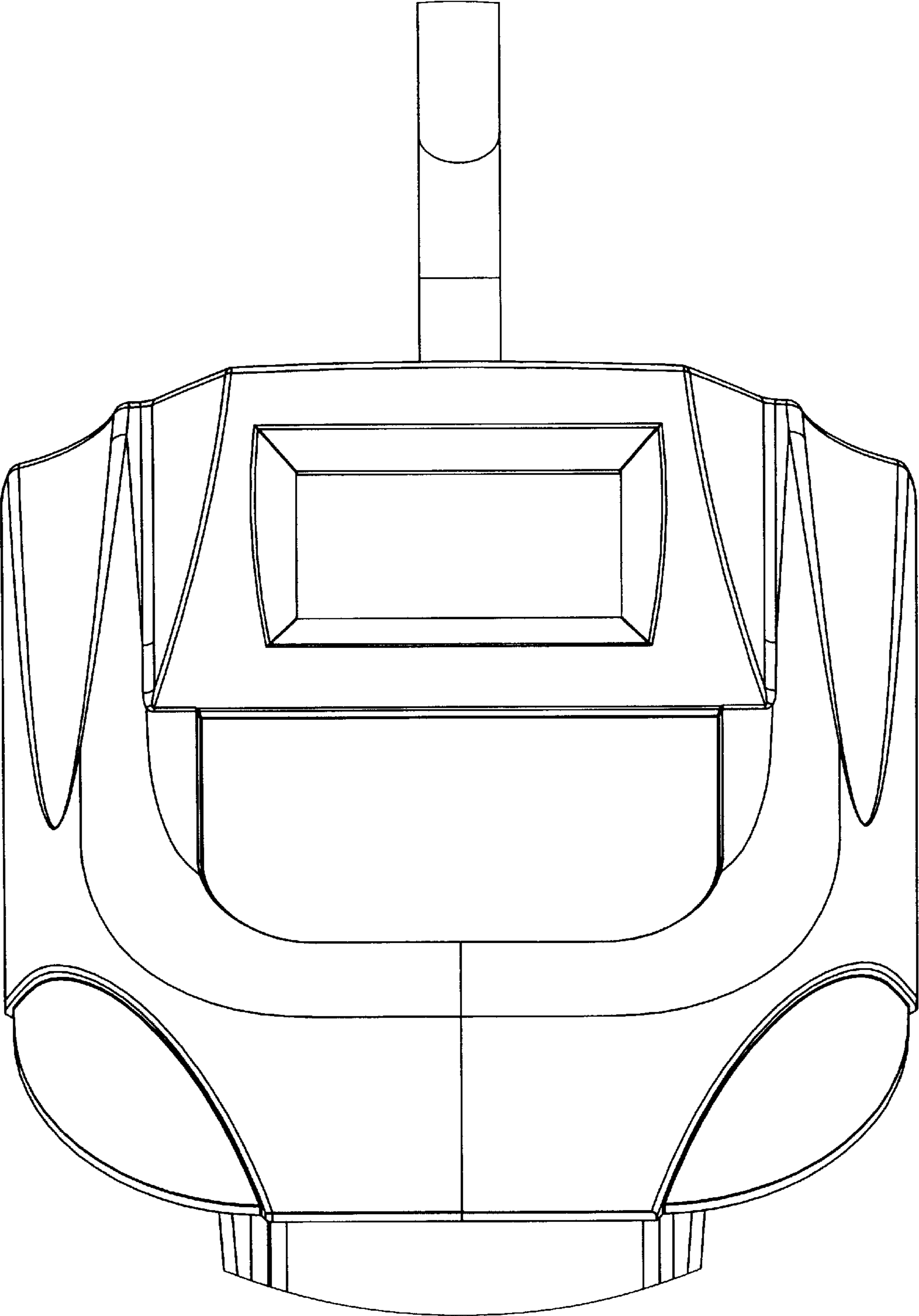
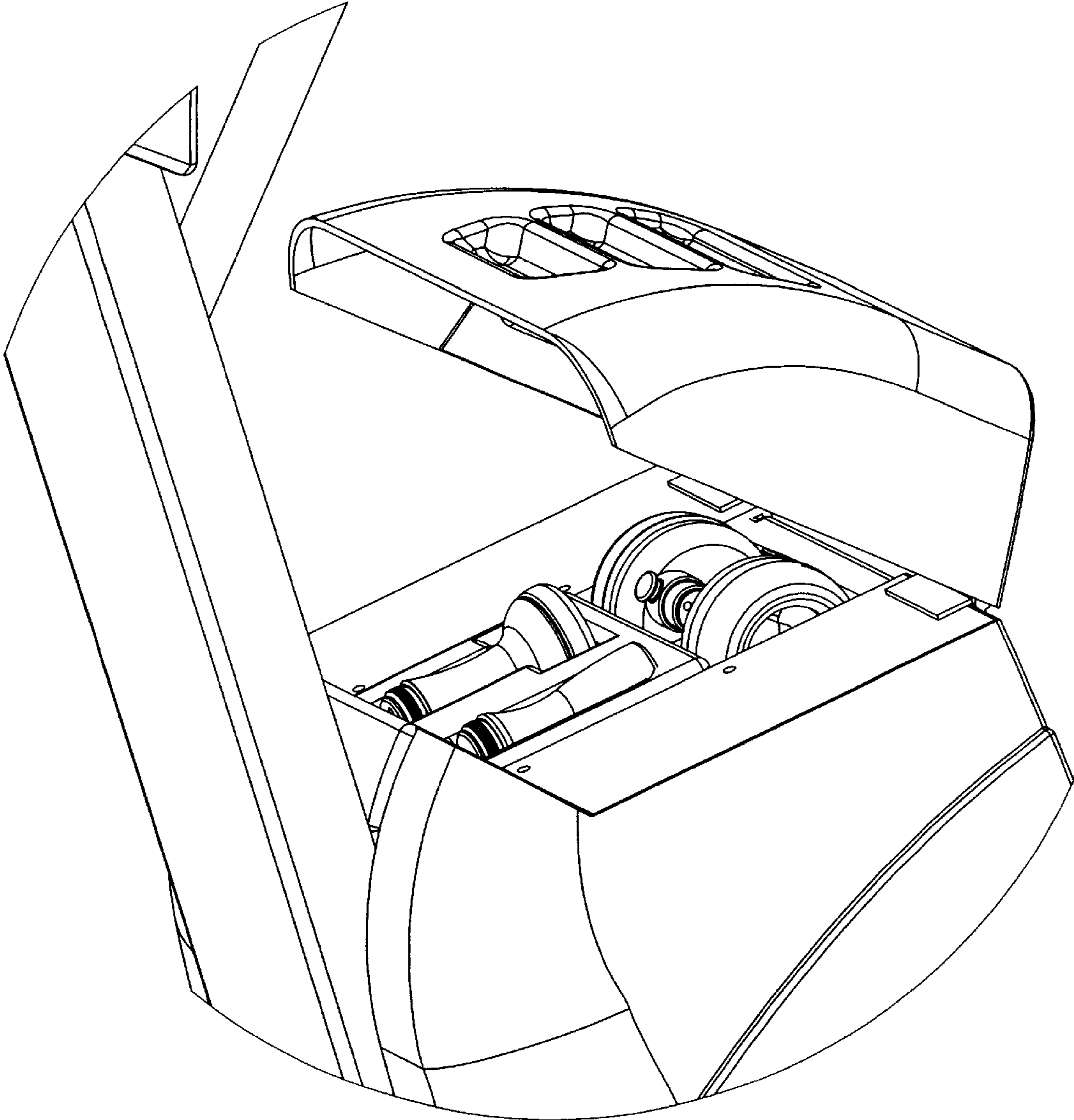




FIG. 8



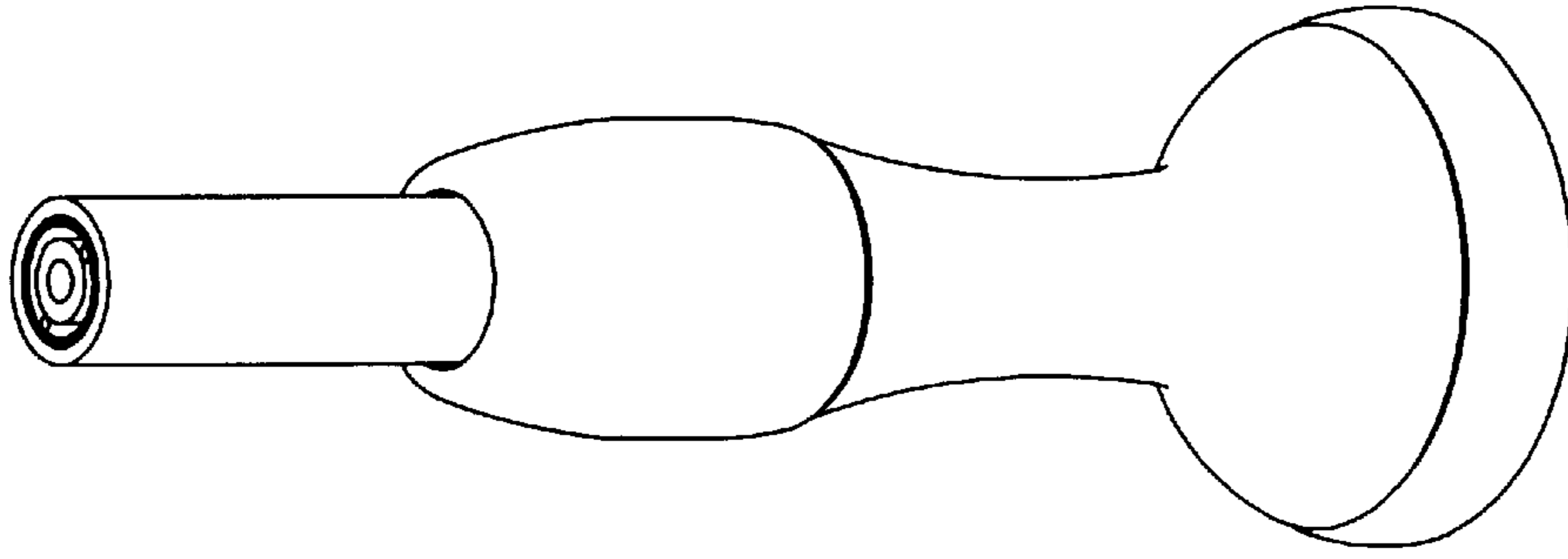


FIG. 12

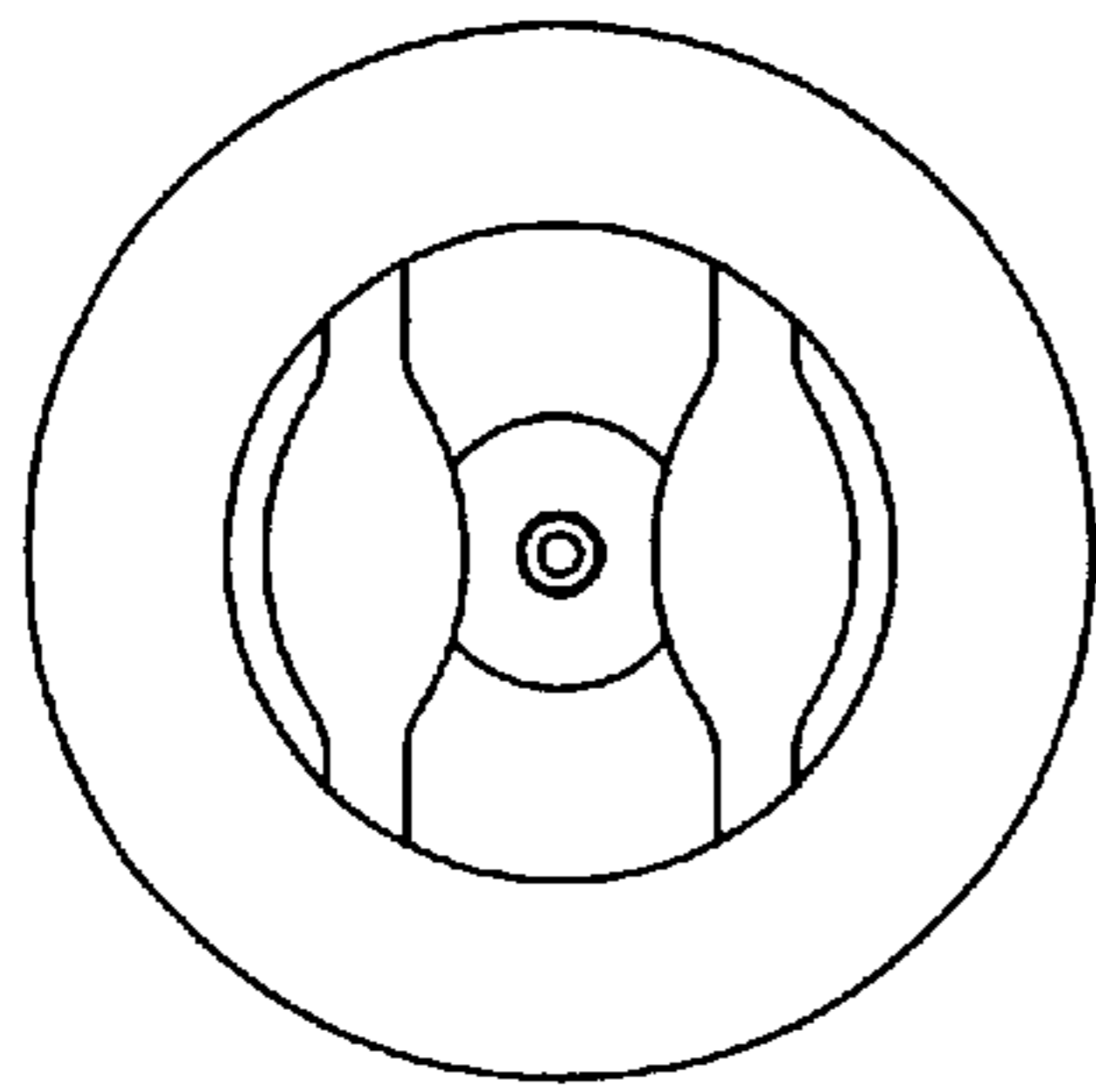


FIG. 9

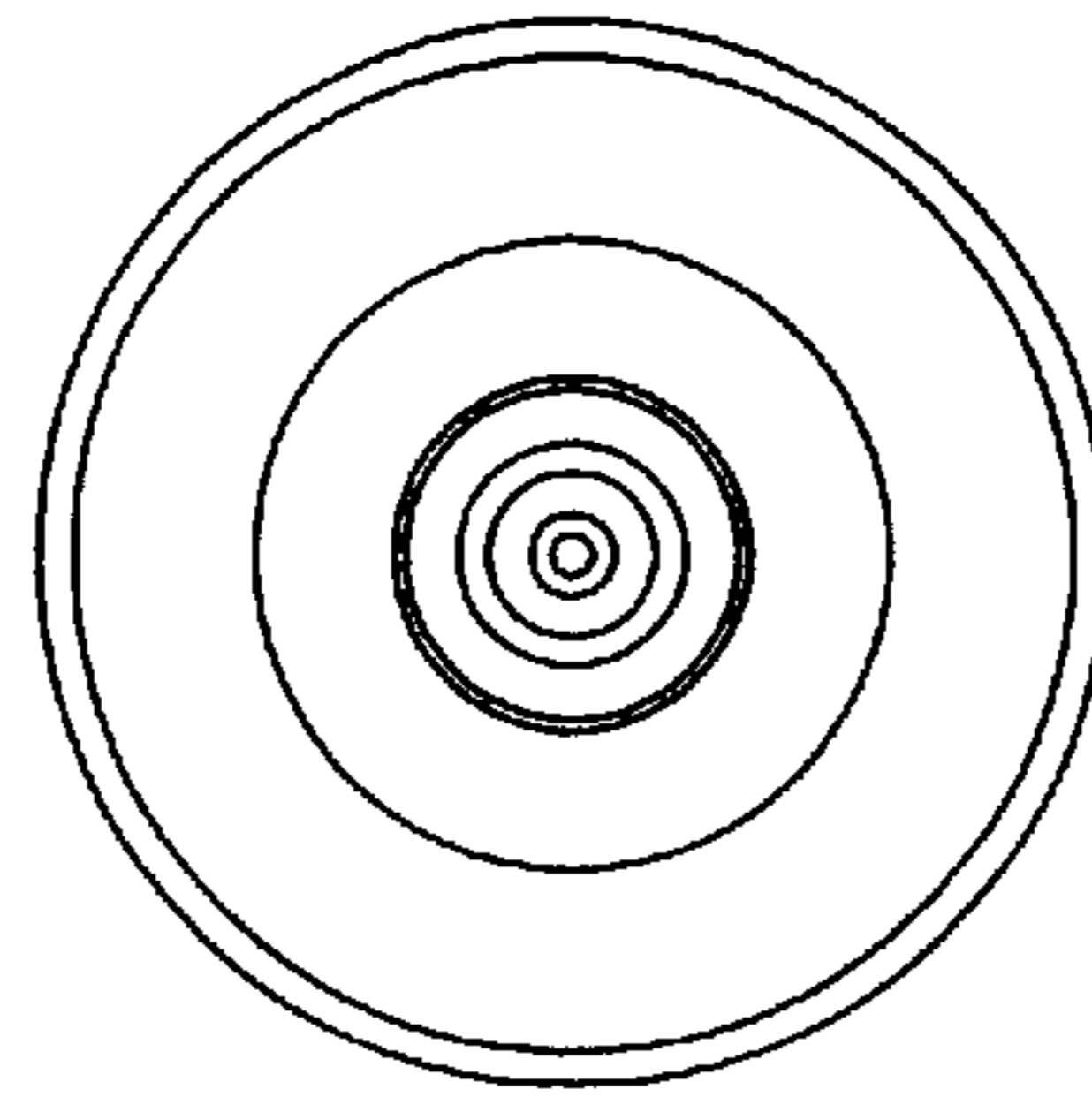


FIG. 11

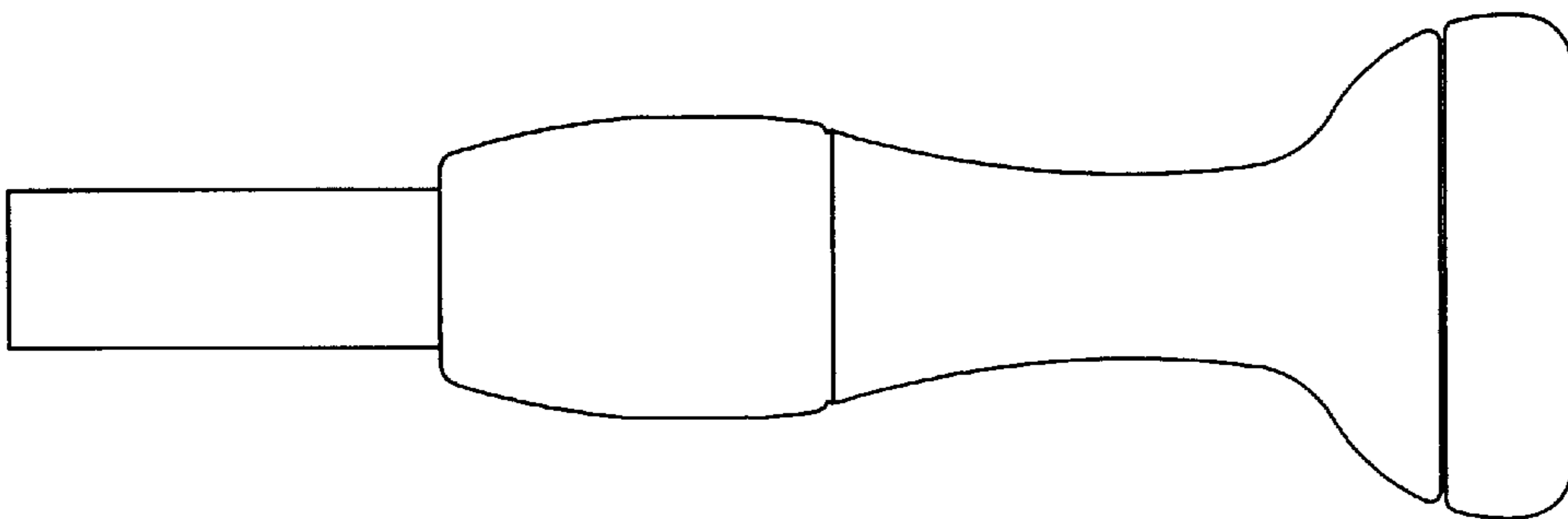


FIG. 10

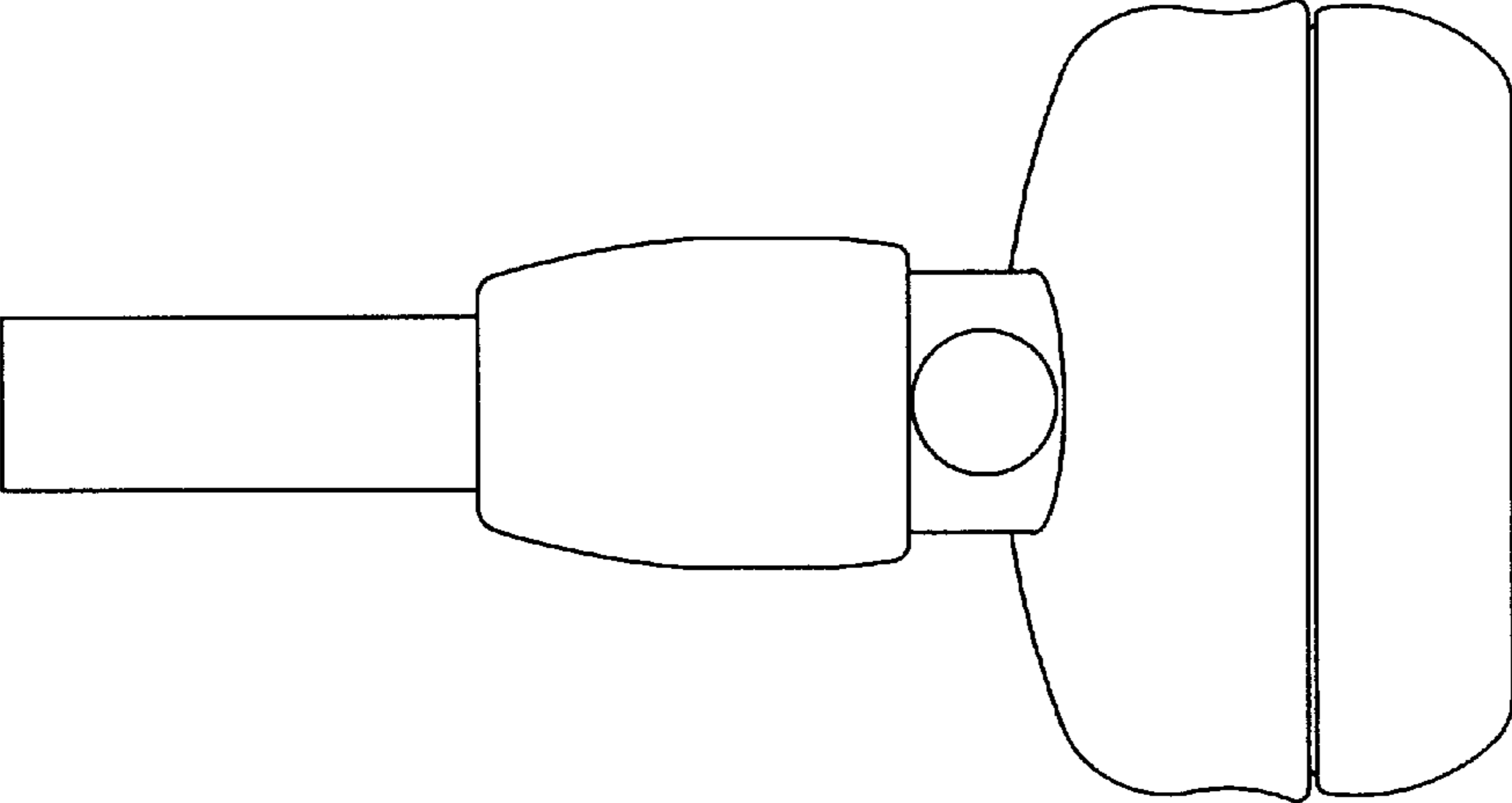


FIG. 14

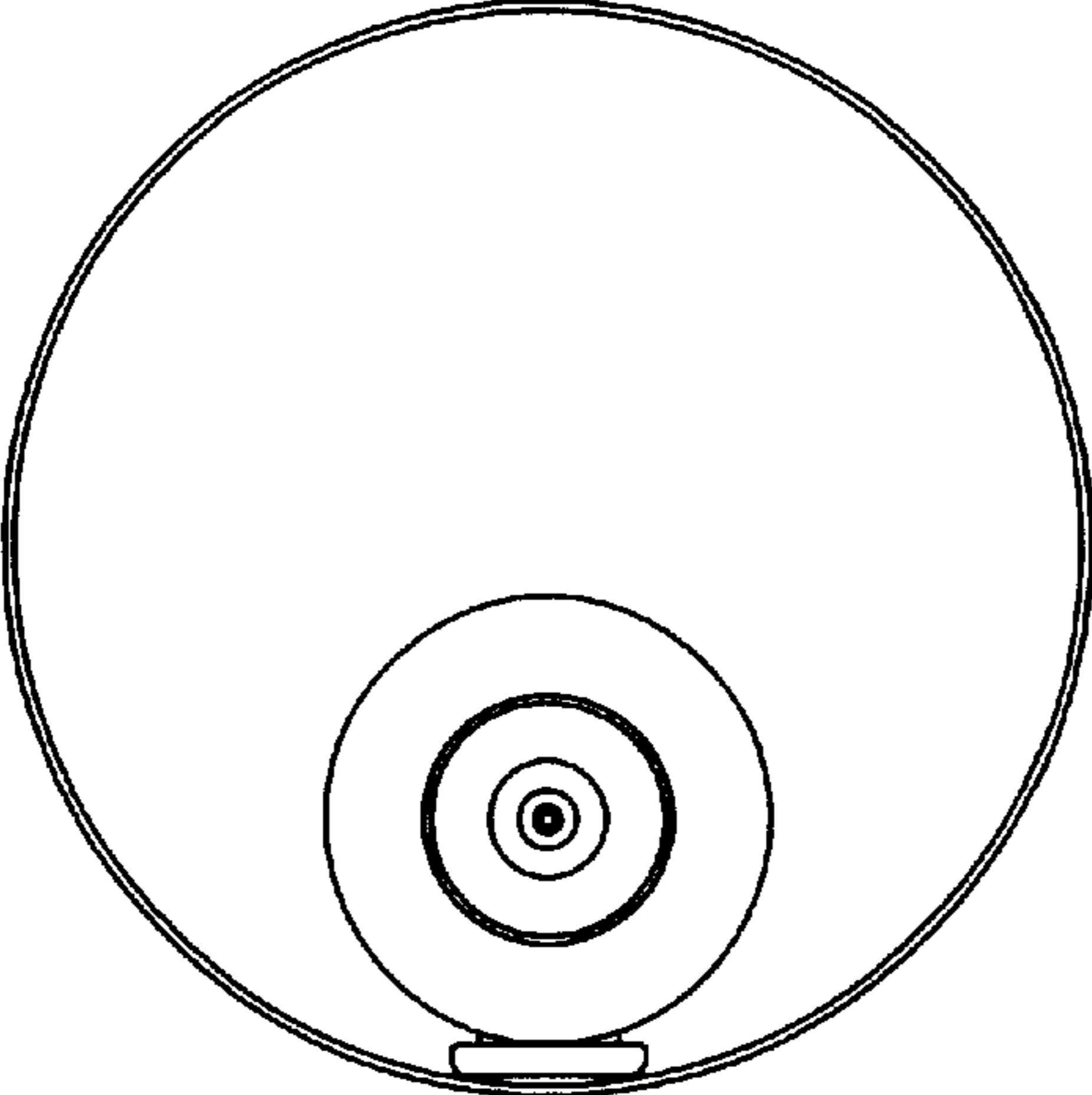


FIG. 13

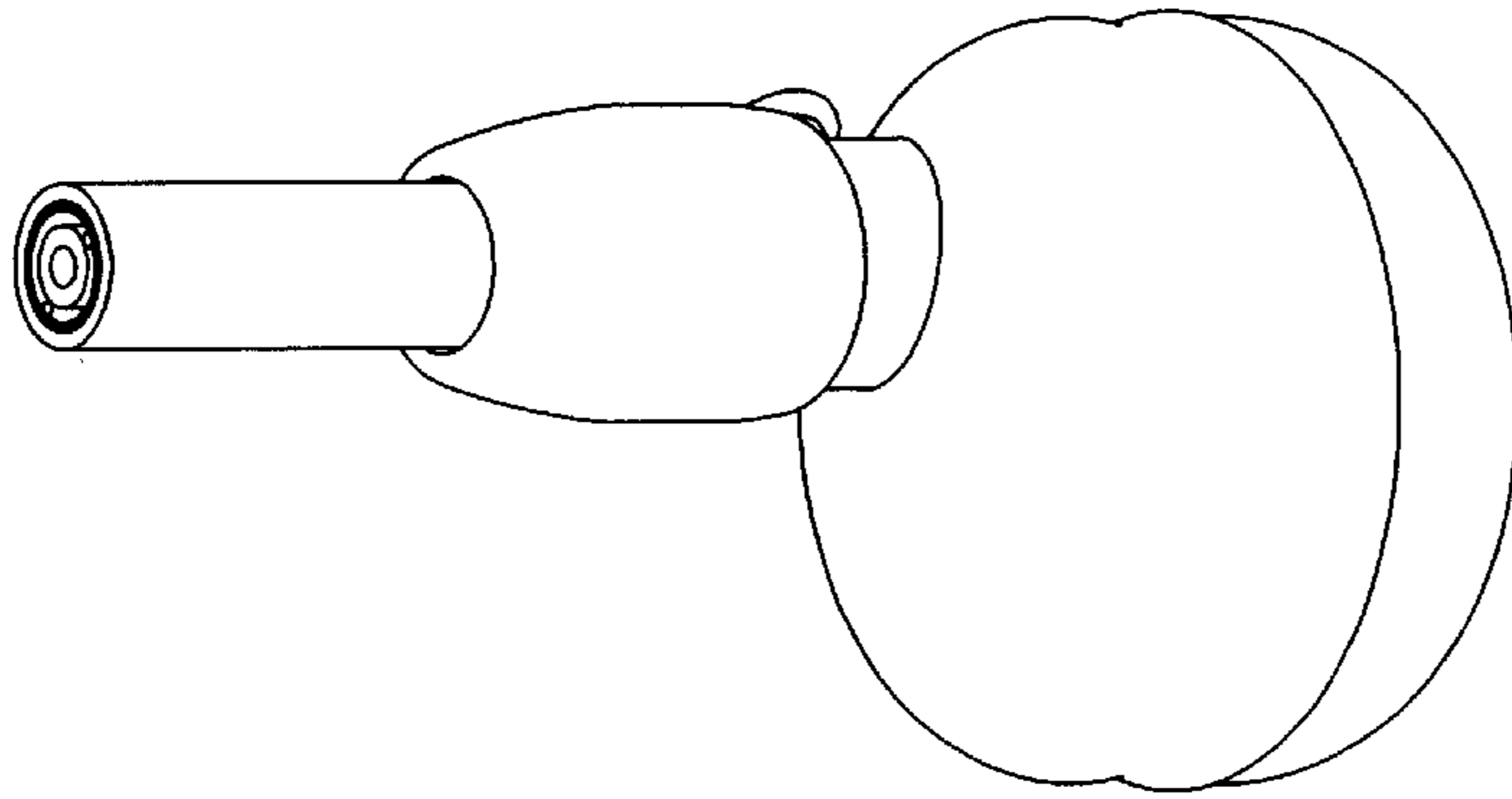


FIG. 17

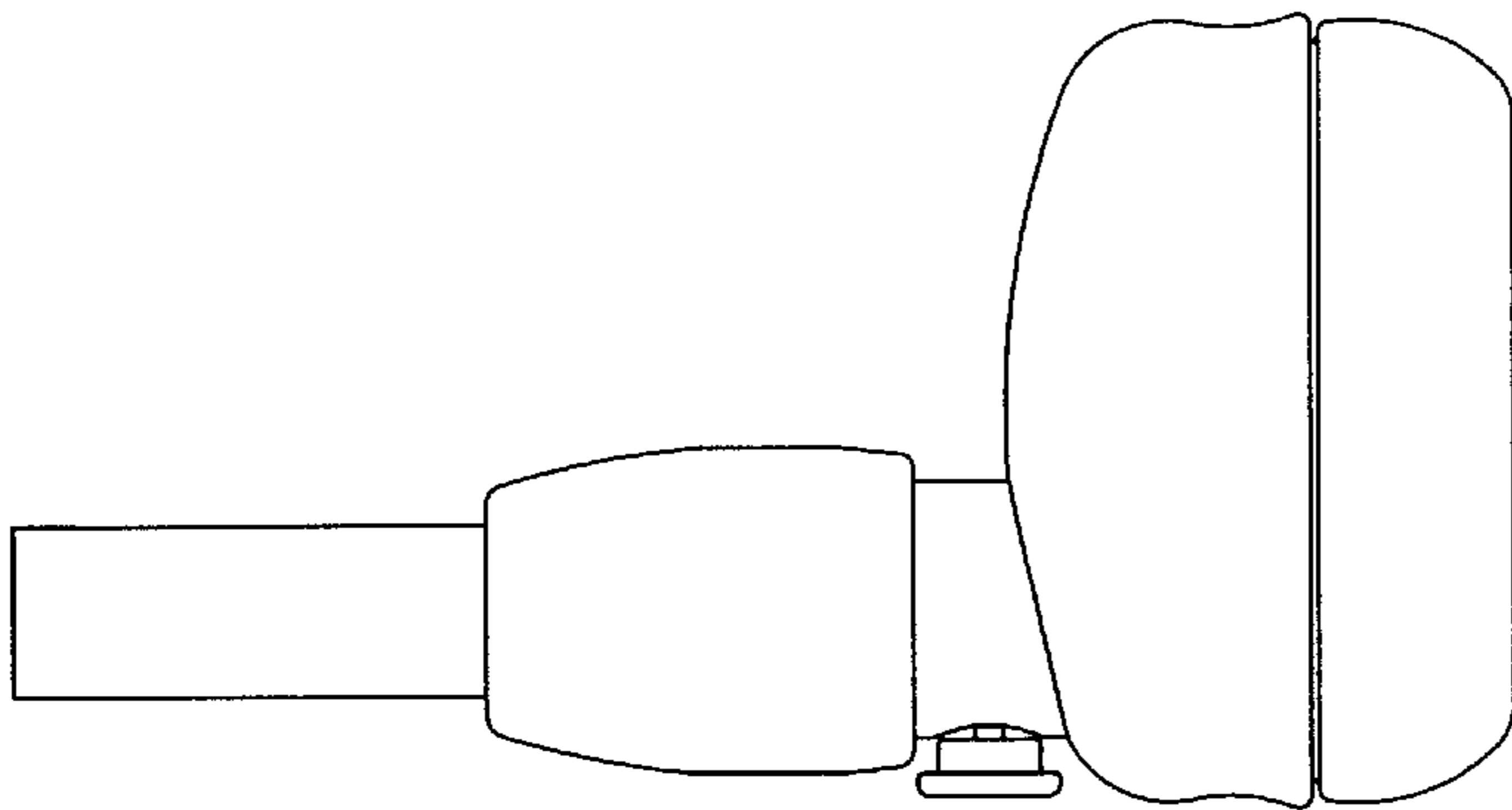


FIG. 15

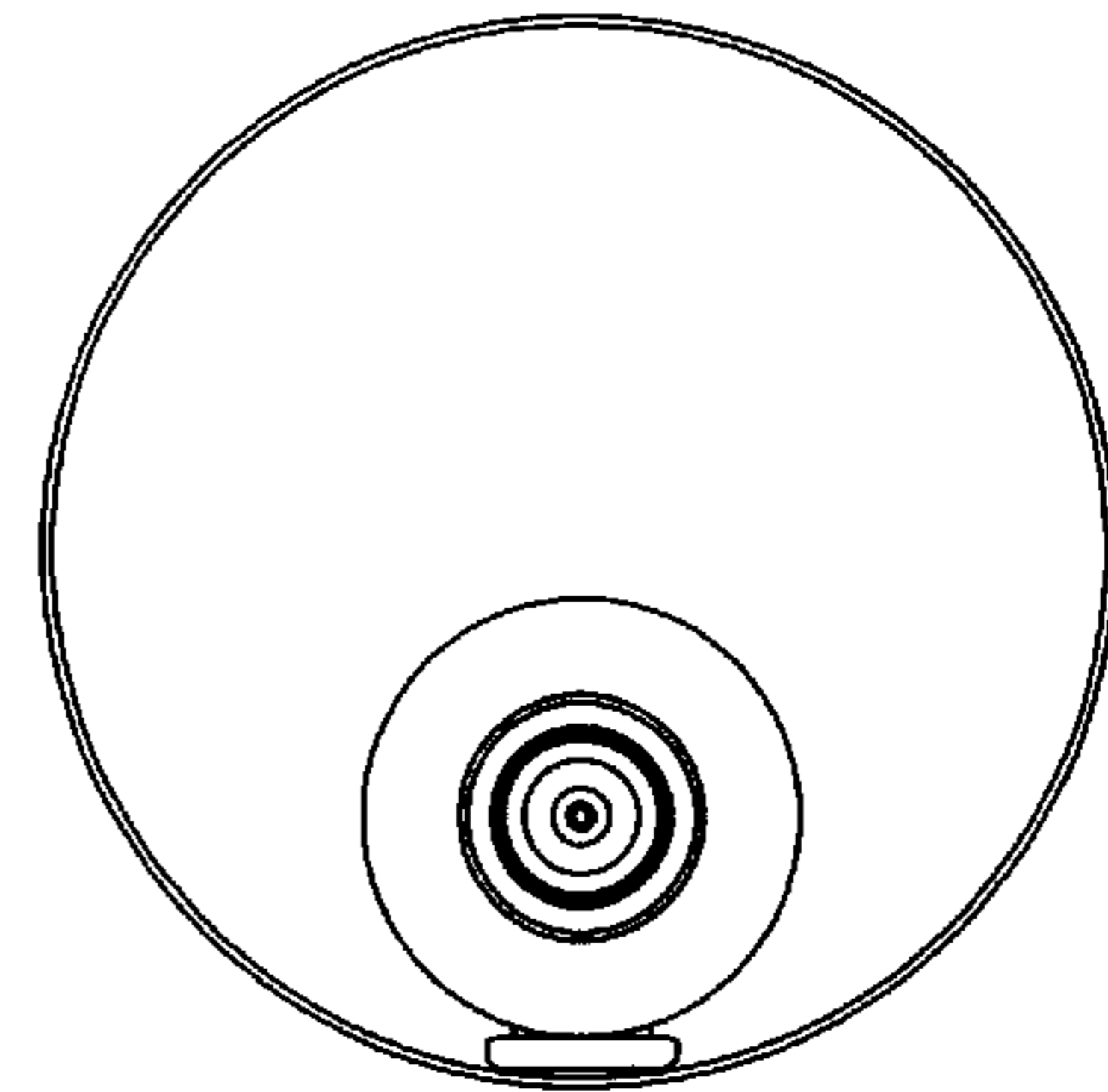


FIG. 16

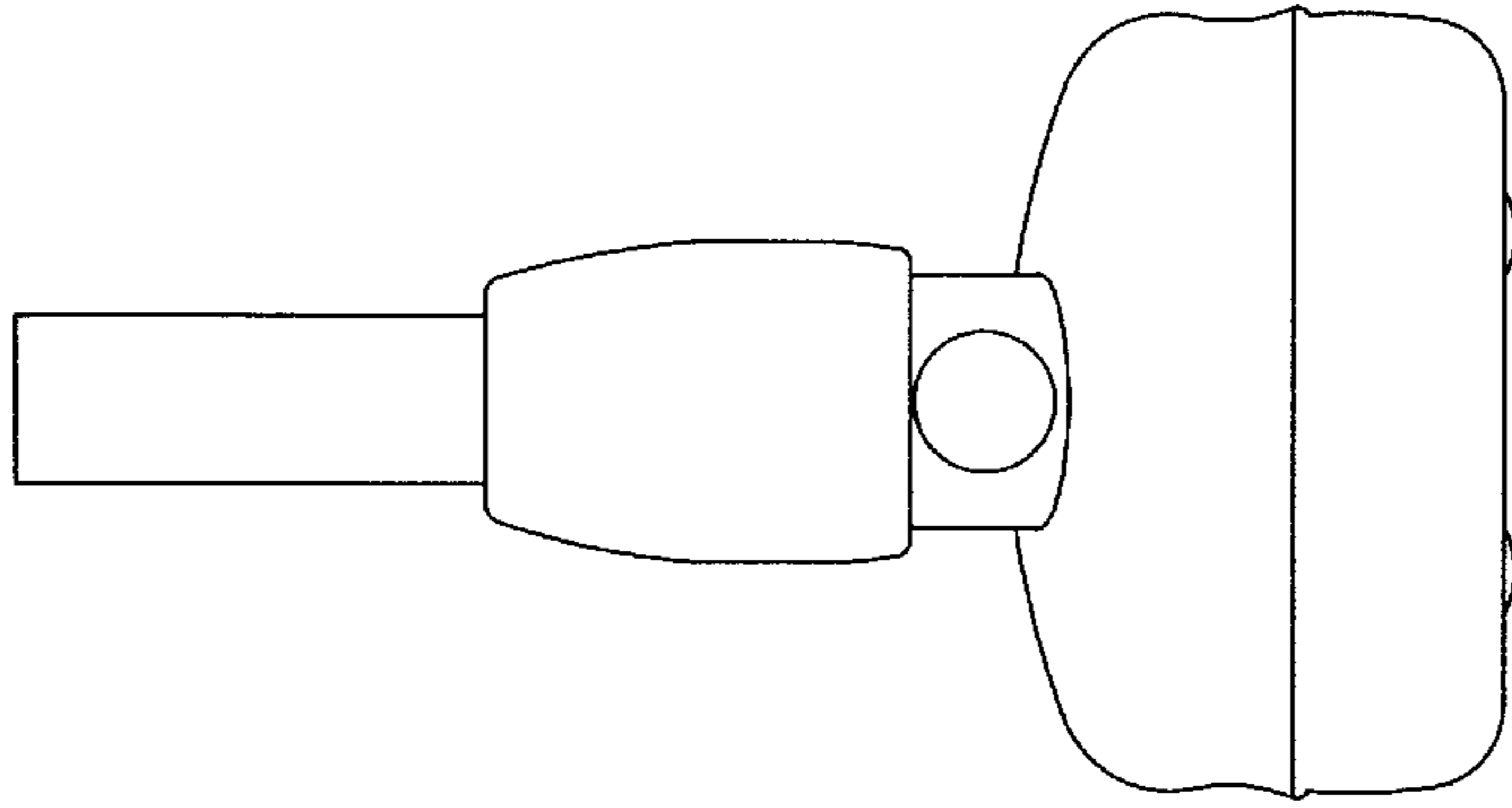


FIG. 20

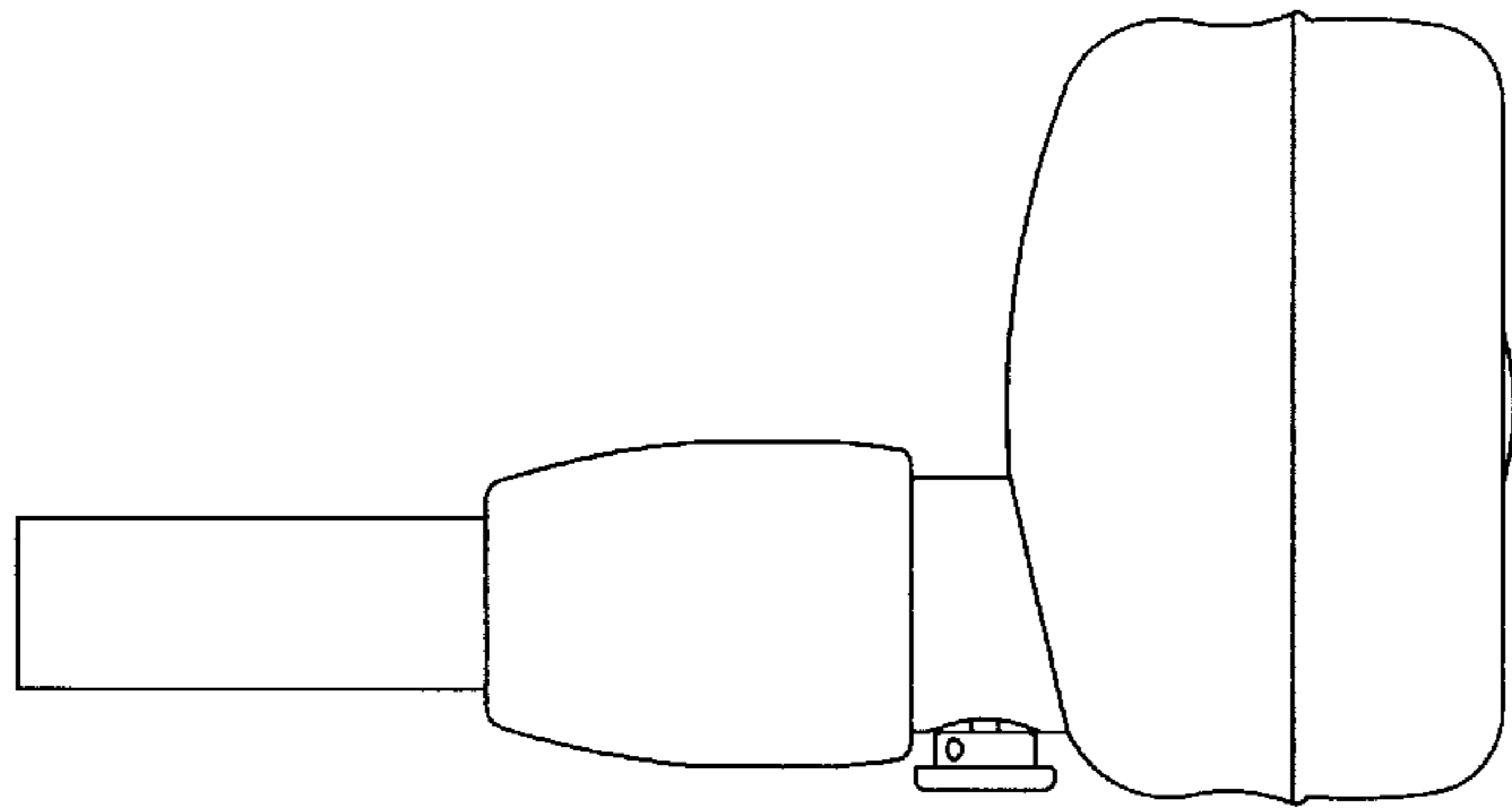


FIG. 18

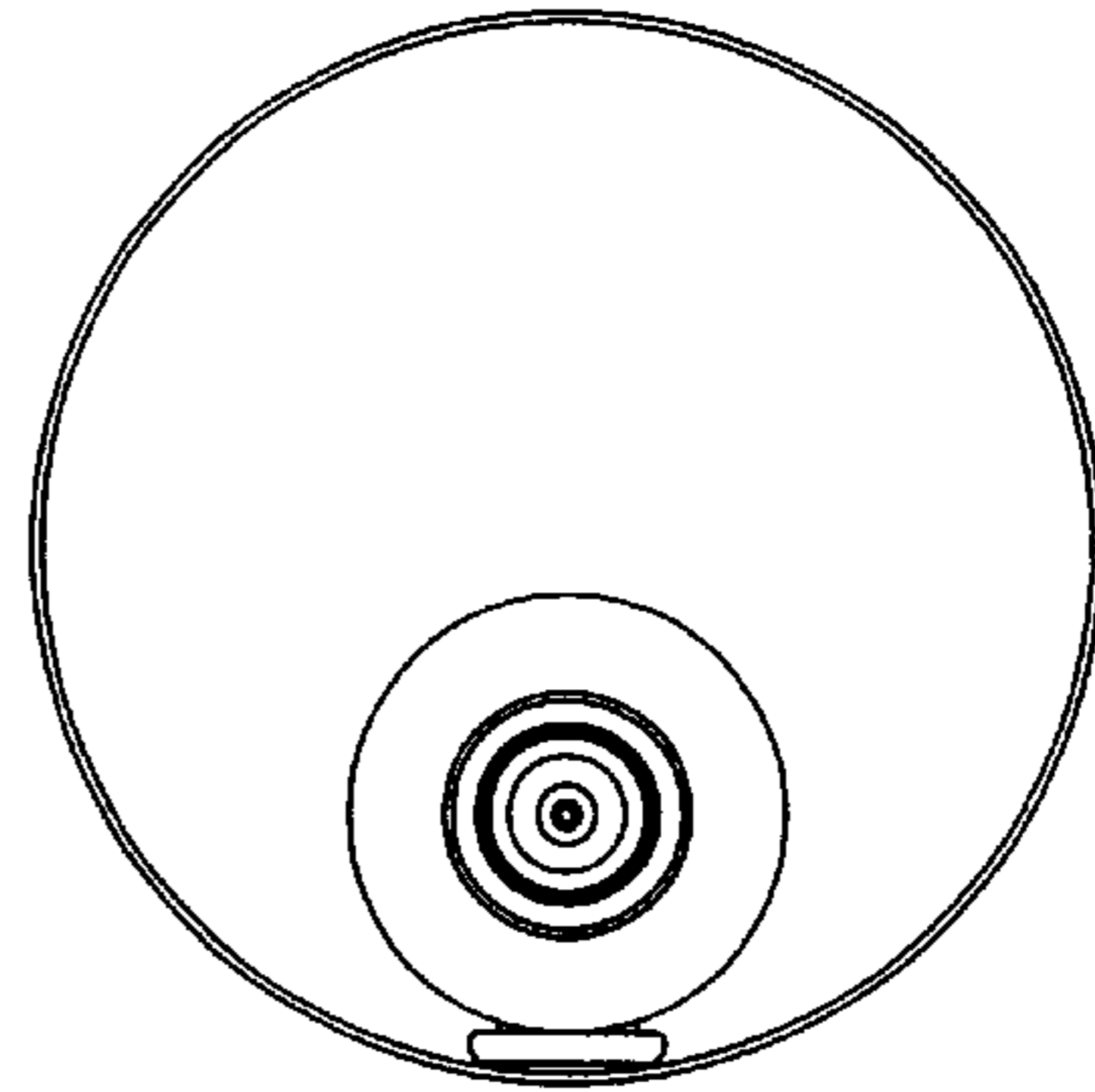


FIG. 19

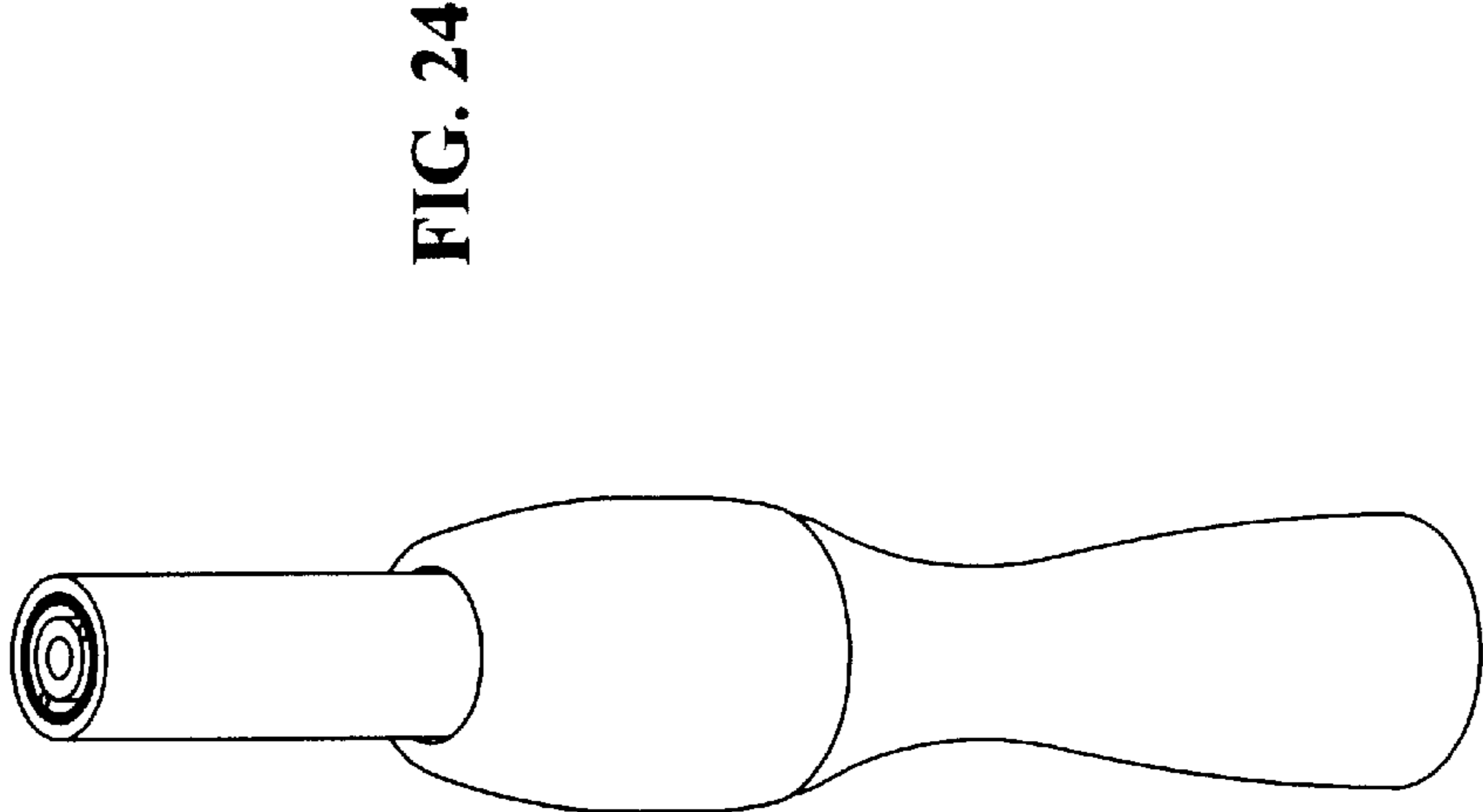


FIG. 24

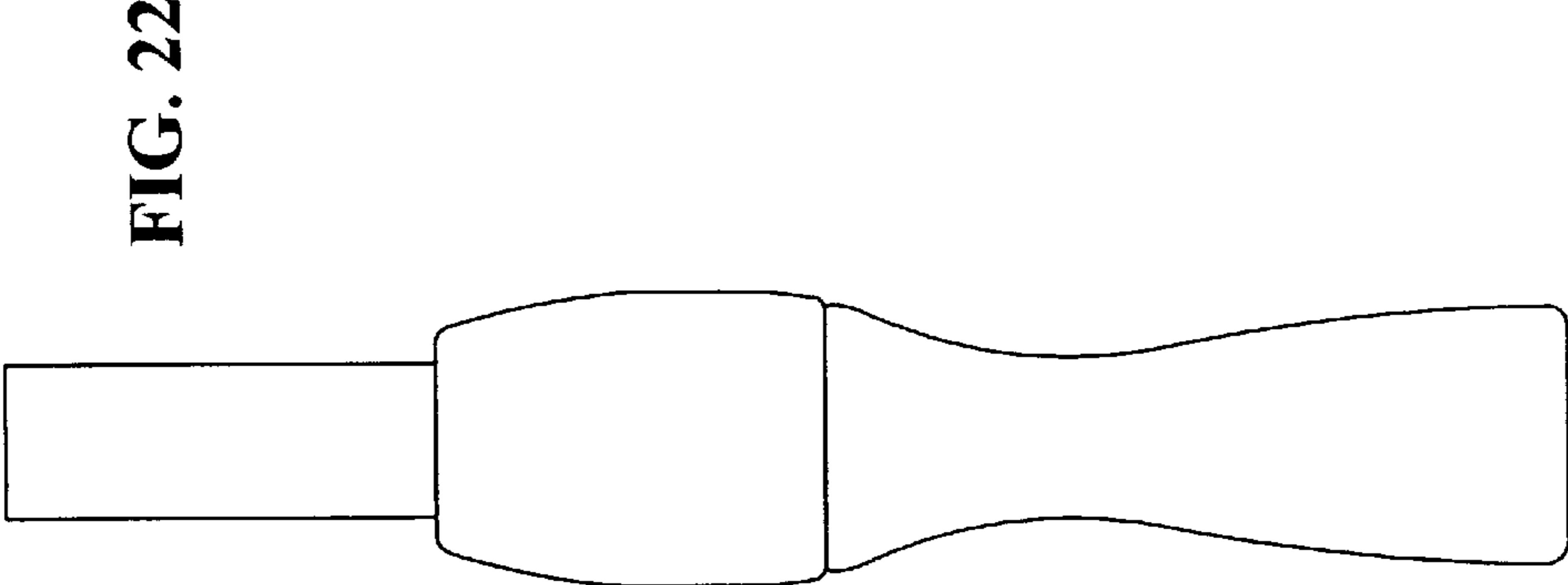


FIG. 22

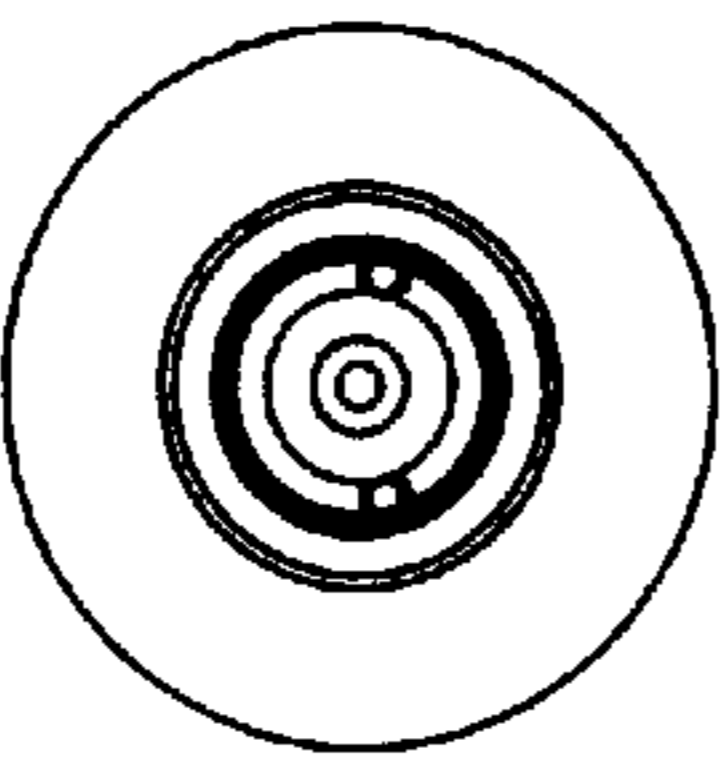


FIG. 21

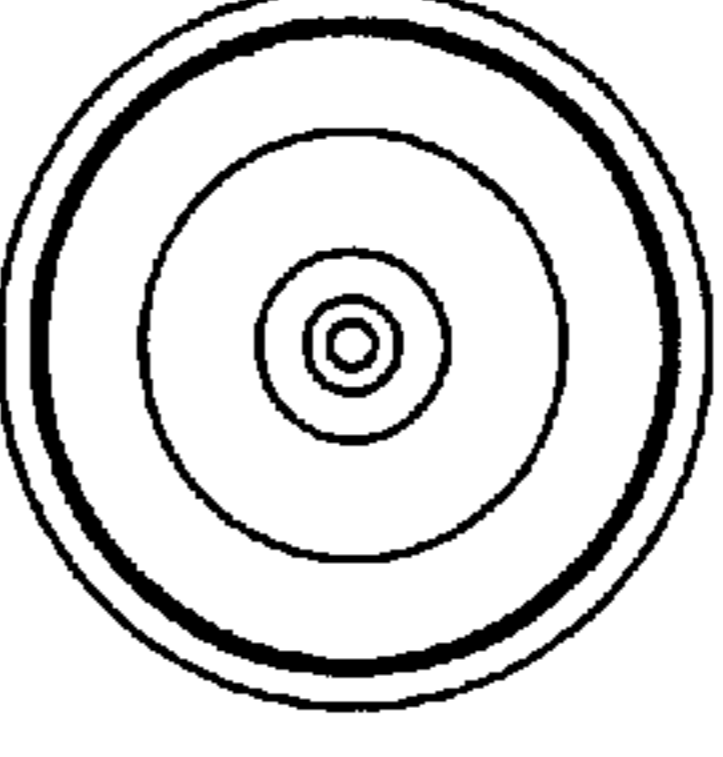


FIG. 23