

US00D511000S

(12) **United States Design Patent**  
**Young**

(10) **Patent No.:** **US D511,000 S**  
(45) **Date of Patent:** **\*\* Oct. 25, 2005**

(54) **CEILING FAN BLADE**

(75) Inventor: **Stanfield Young**, Garden Grove, CA  
(US)

(73) Assignee: **Minka Lighting, Inc.**, Corona, CA  
(US)

(\*\*) Term: **14 Years**

(21) Appl. No.: **29/204,842**

(22) Filed: **May 5, 2004**

(51) **LOC (8) Cl.** ..... **23-04**

(52) **U.S. Cl.** ..... **D23/413**

(58) **Field of Search** ..... D23/377, 379,  
D23/385, 413; D26/59, 81-86, 88, 51,  
72; 416/5; 362/96

(56) **References Cited**

**U.S. PATENT DOCUMENTS**

D328,785 S \* 8/1992 Markwardt ..... D23/377  
D480,465 S 10/2003 Wilson  
D483,474 S \* 12/2003 Young ..... D23/413  
D492,022 S \* 6/2004 Young ..... D23/377

**OTHER PUBLICATIONS**

Hampton Bay Ceiling Fans; vol. 1; Spring/Summer 2004; p. 27, Mar. 2004, Home Depot, Inc. USA.  
Craftmade 2003 New Products Jan. Update; p. 4, Jan. 2003, Craftmade, Inc. USA.  
Home Lighting & Accessories; vol. 87, No. 3; p. 109 (The Oslo Collection), p. 110 (Kitty Hawk) and p. 121 (Voyager), Mar. 2004, The Oslo Collection by Ellington Fans; Kitty Hawk Ceiling Fan by Emerson Fans; Voyager by Concord Fans.

Expo Design Center Advertisement; Hampton Bay Gallery Cessna Ceiling Fan; p. 299, Apr. 2004, Home Depot, Inc. USA.

\* cited by examiner

*Primary Examiner*—Lisa Lichtenstein

(74) *Attorney, Agent, or Firm*—Baker & McKenzie LLP

(57) **CLAIM**

The ornamental design for a ceiling fan blade, as shown and described.

**DESCRIPTION**

FIG. 1 is a perspective view from below of a ceiling fan blade in accordance with my design, including the environment thereof;

FIG. 2 is a bottom plan view of the ceiling fan blade in accordance with my design;

FIG. 3 is a top plan view of the ceiling fan blade in accordance with my design;

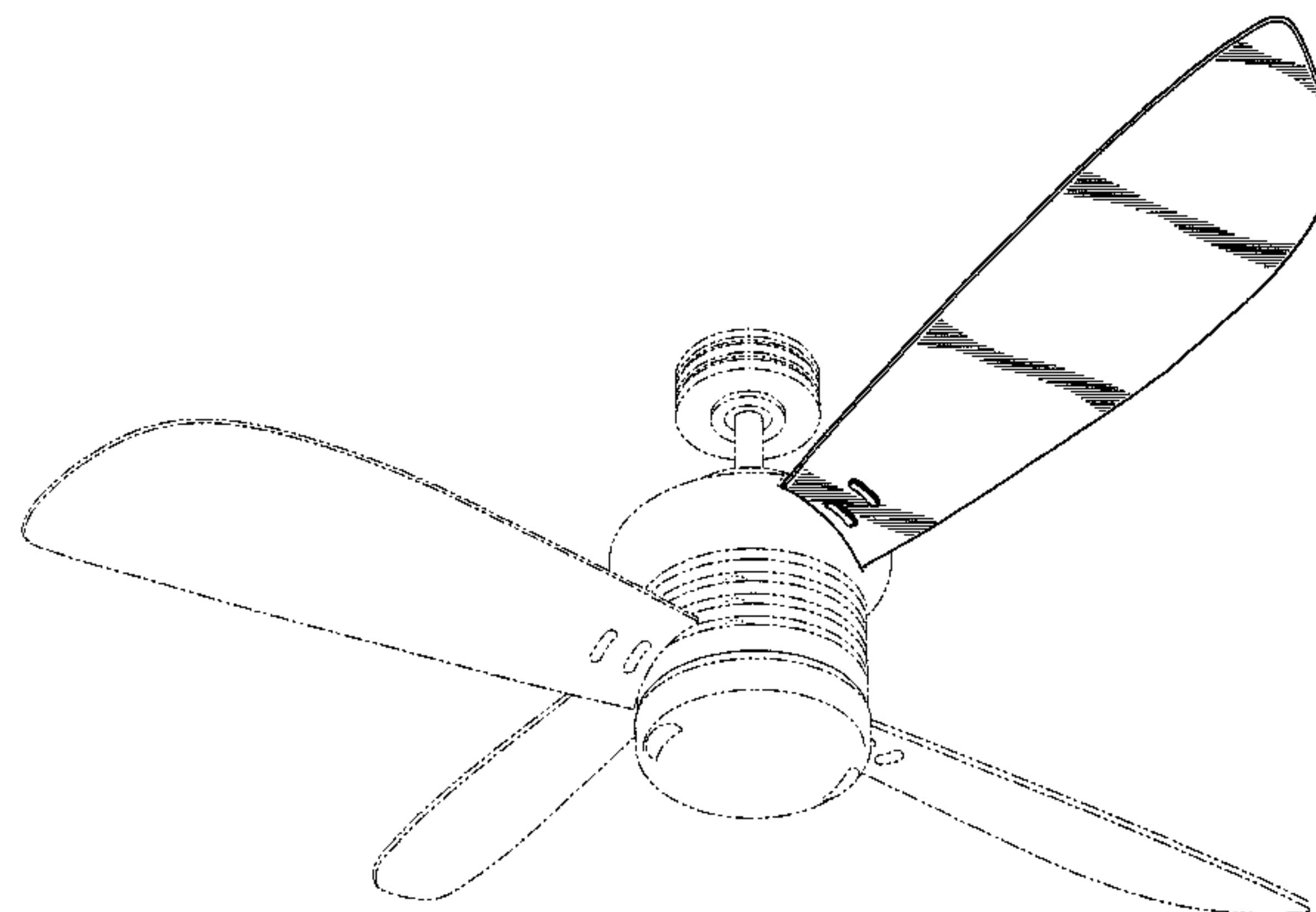
FIG. 4 is a proximal end view of the ceiling fan blade in accordance with my design;

FIG. 5 is a side elevation view of the ceiling fan blade in accordance with my design; and,

FIG. 6 is a perspective view from above of a ceiling fan blade in accordance with my design.

The broken lines showing environmental structure are for illustrative purposes and form no part of the claimed design.

**1 Claim, 3 Drawing Sheets**



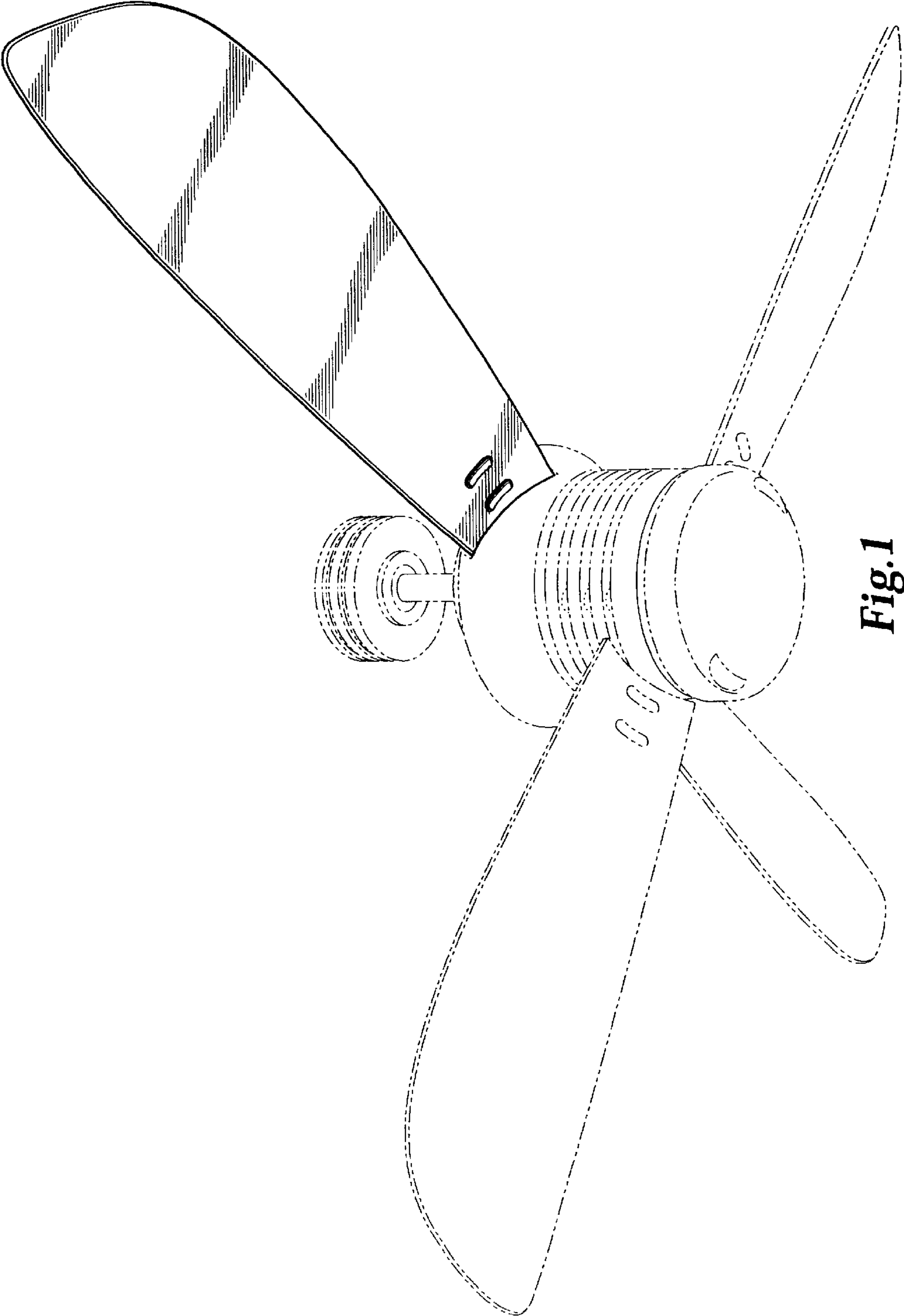


Fig. 1

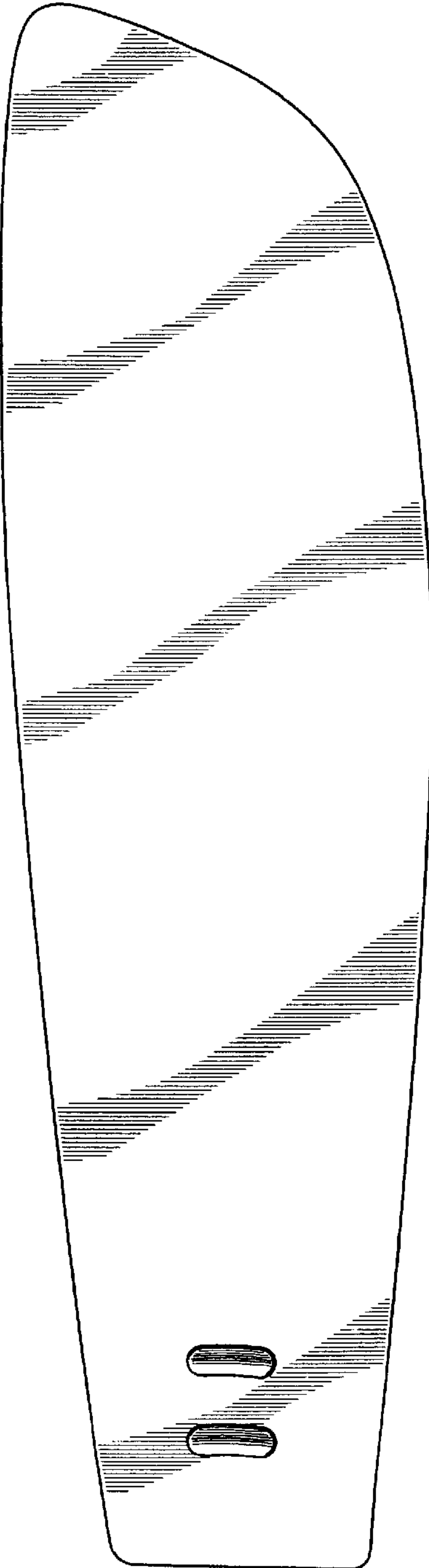


Fig. 2

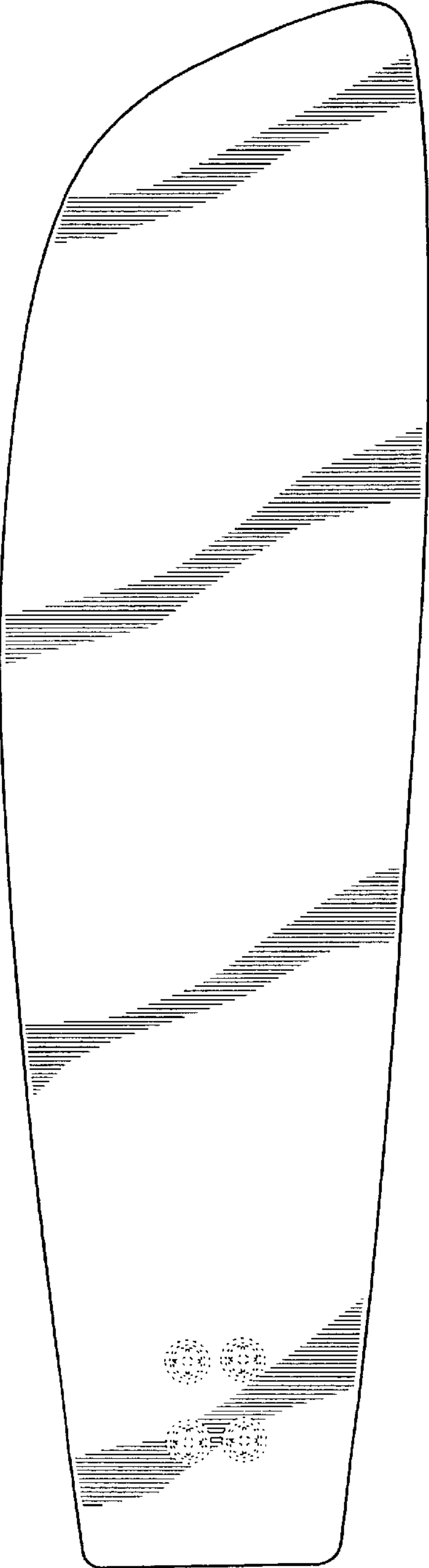
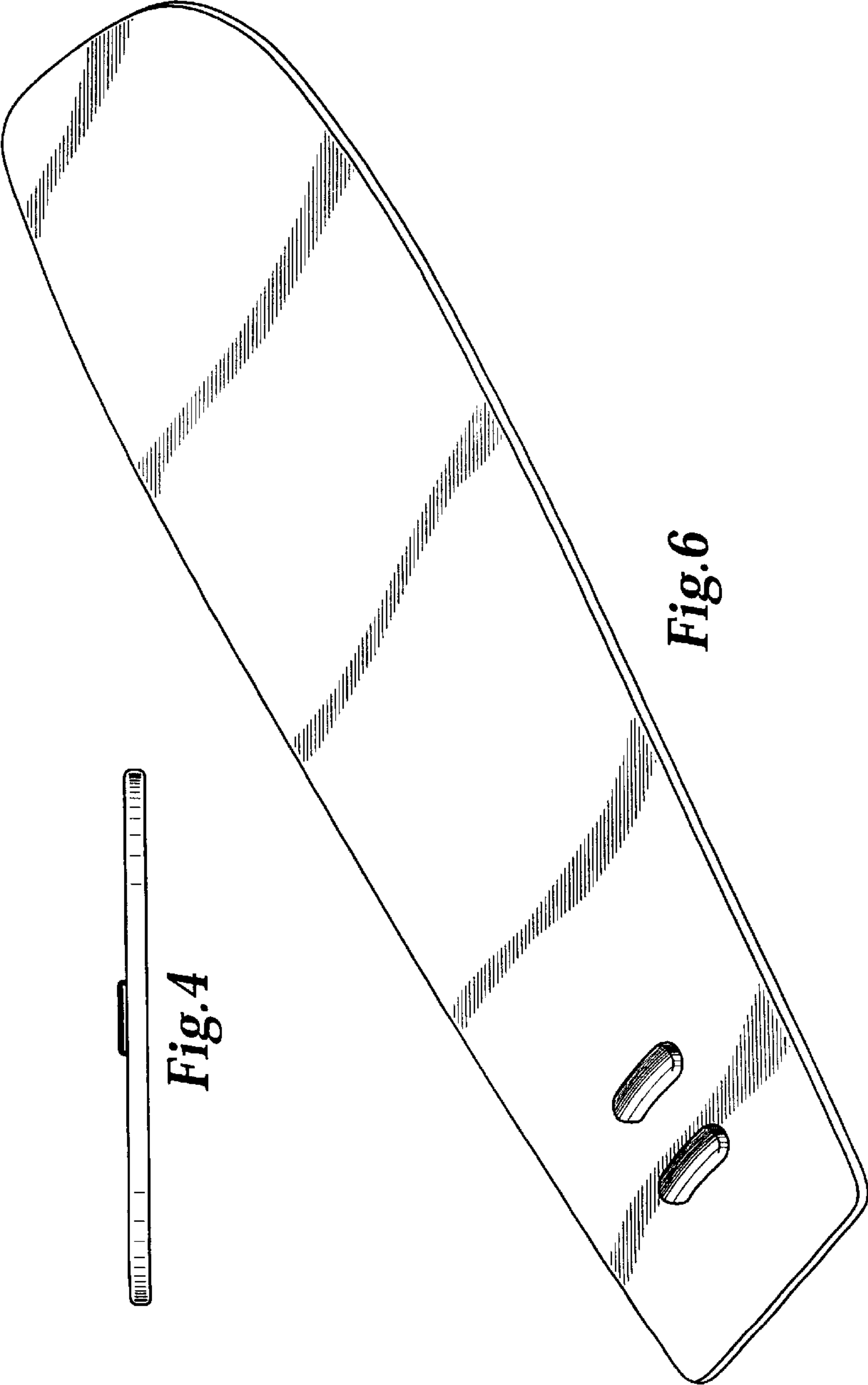


Fig. 3



*Fig. 6*



*Fig. 4*



*Fig. 5*