



US00D510999S

(12) **United States Design Patent** (10) **Patent No.:** **US D510,999 S**
Thomas, Jr. (45) **Date of Patent:** **** Oct. 25, 2005**

(54) **CEILING FAN BLADE IRON**

(75) Inventor: **James C. Thomas, Jr.**, Germantown, TN (US)

(73) Assignee: **Hunter Fan Company**, Memphis, TN (US)

(**) Term: **14 Years**

(21) Appl. No.: **29/195,552**

(22) Filed: **Dec. 12, 2003**

(51) **LOC (8) Cl.** **23-04**

(52) **U.S. Cl.** **D23/411**

(58) **Field of Search** D23/411, 377, D23/379, 385, 413; 416/5, 210 R

(56) **References Cited**

U.S. PATENT DOCUMENTS

D490,512 S * 5/2004 Campbell D23/411
D501,250 S * 1/2005 Thomas, Jr. D23/411

OTHER PUBLICATIONS

2001 Hunter Fan Prestige Catalog (Mariner, 44" Dominion, The Archive, Santa Barbara).

* cited by examiner

Primary Examiner—Lisa Lichtenstein
(74) *Attorney, Agent, or Firm*—Baker Donelson

(57) **CLAIM**

The ornamental design for a ceiling fan blade iron, as shown and described.

DESCRIPTION

FIG. 1 is a perspective view of a ceiling fan blade iron showing my new design, shown in an inverted position for clarity.

FIG. 2 is a bottom view thereof.

FIG. 3 is a top view thereof.

FIG. 4 is a right side view thereof.

FIG. 5 is a left side view thereof.

FIG. 6 is a rear view thereof; and,

FIG. 7 is a front view thereof.

The broken line showing of environmental structure is for illustrative purposes only and forms no part of the claimed design.

1 Claim, 4 Drawing Sheets

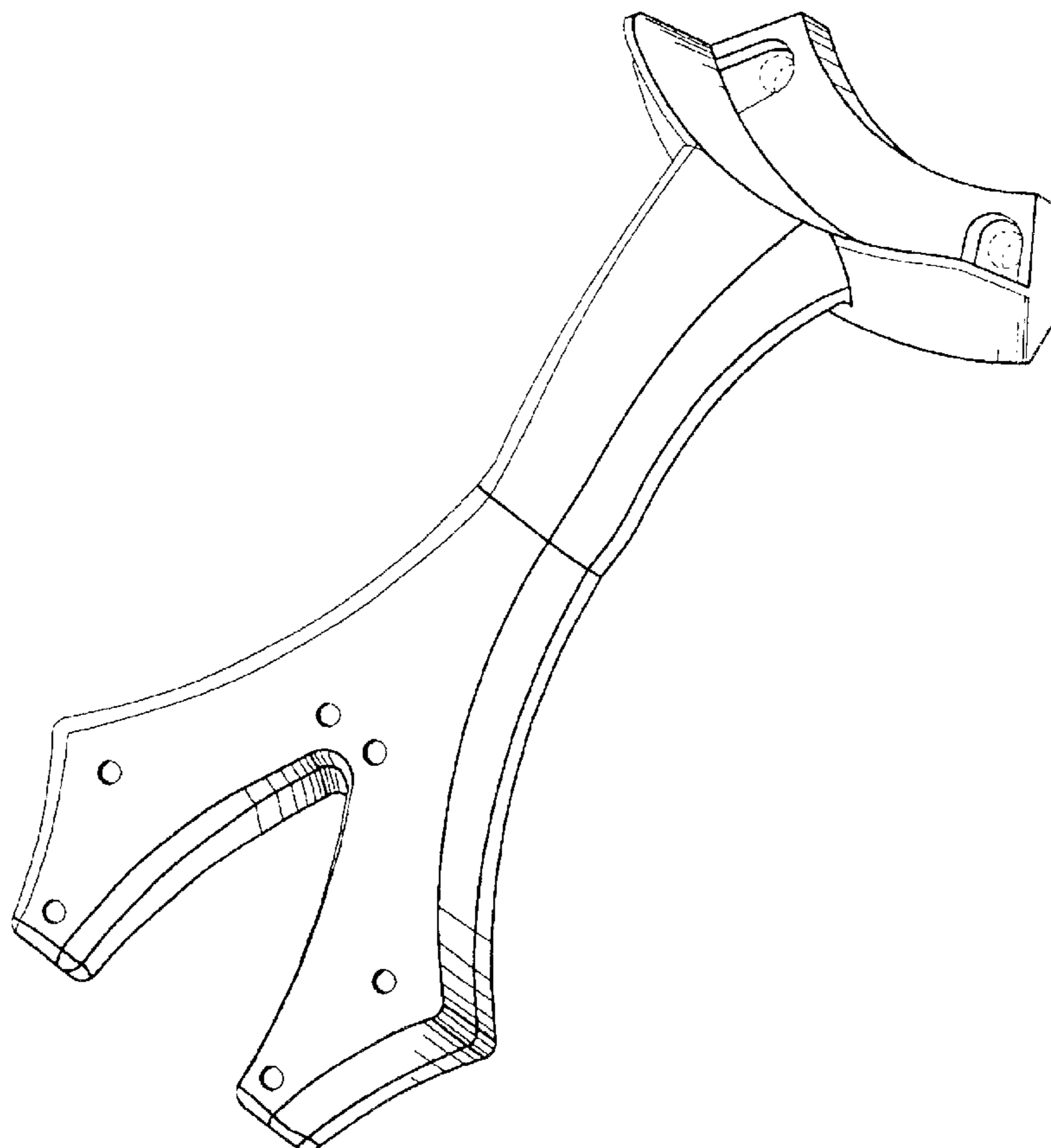


Fig. 1

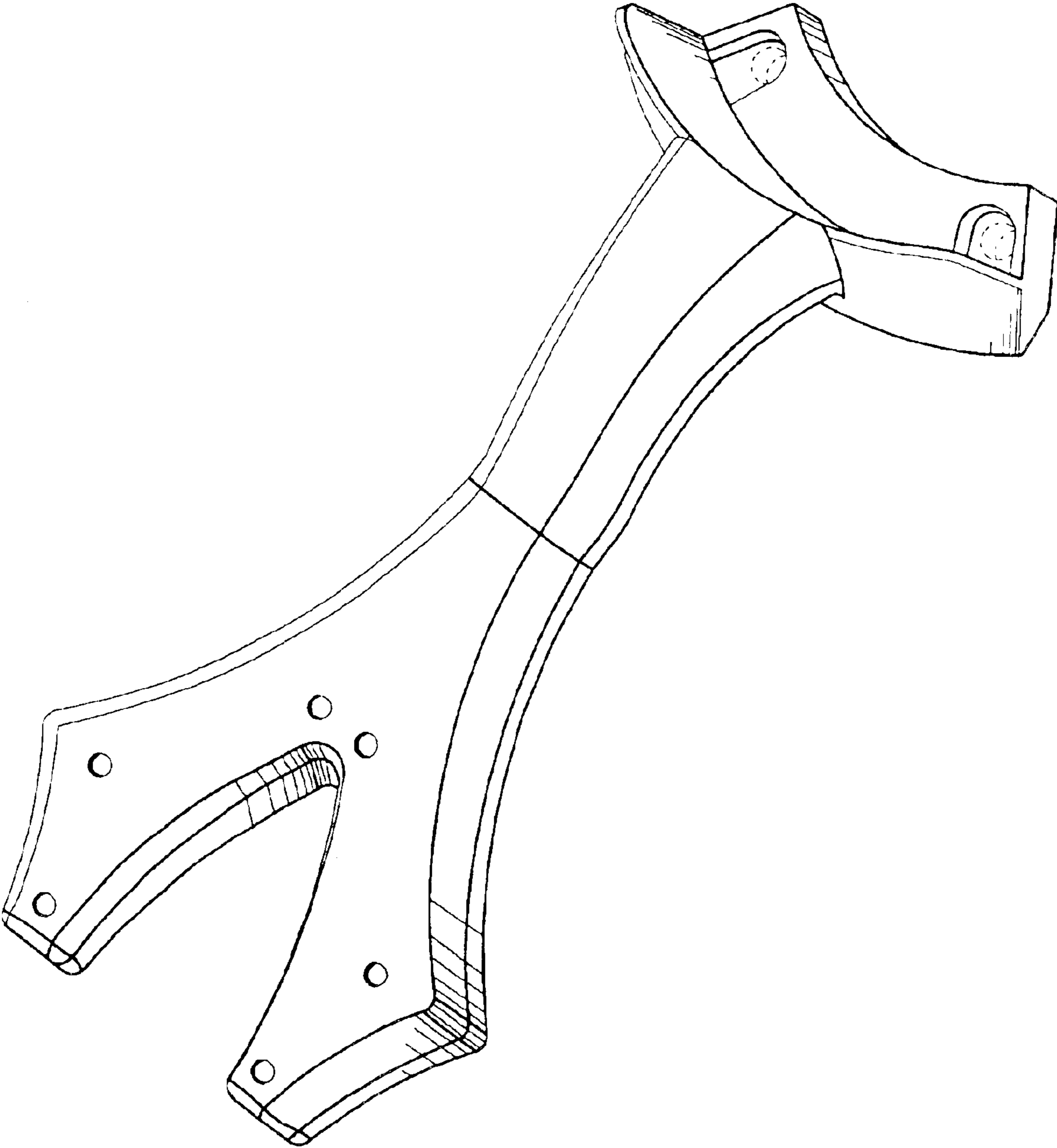


Fig. 2

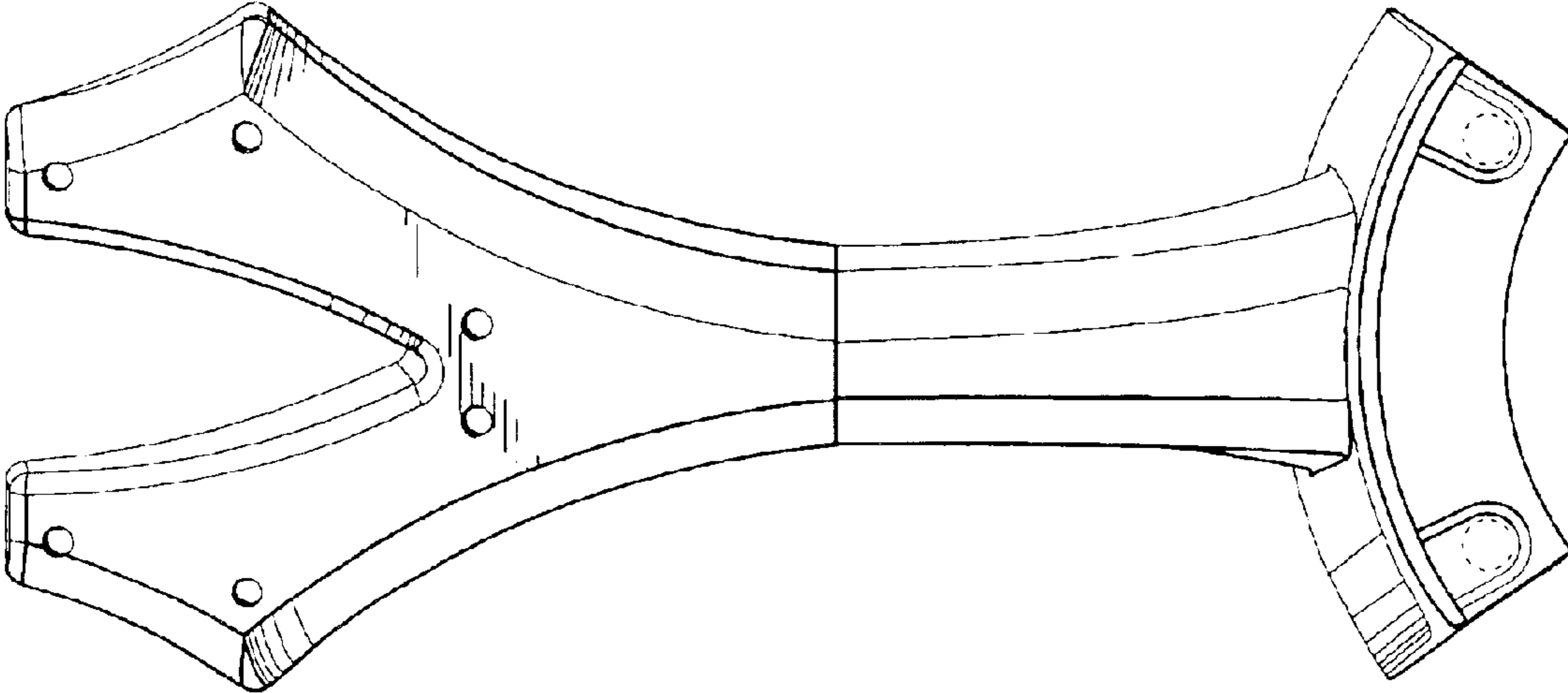


Fig. 3

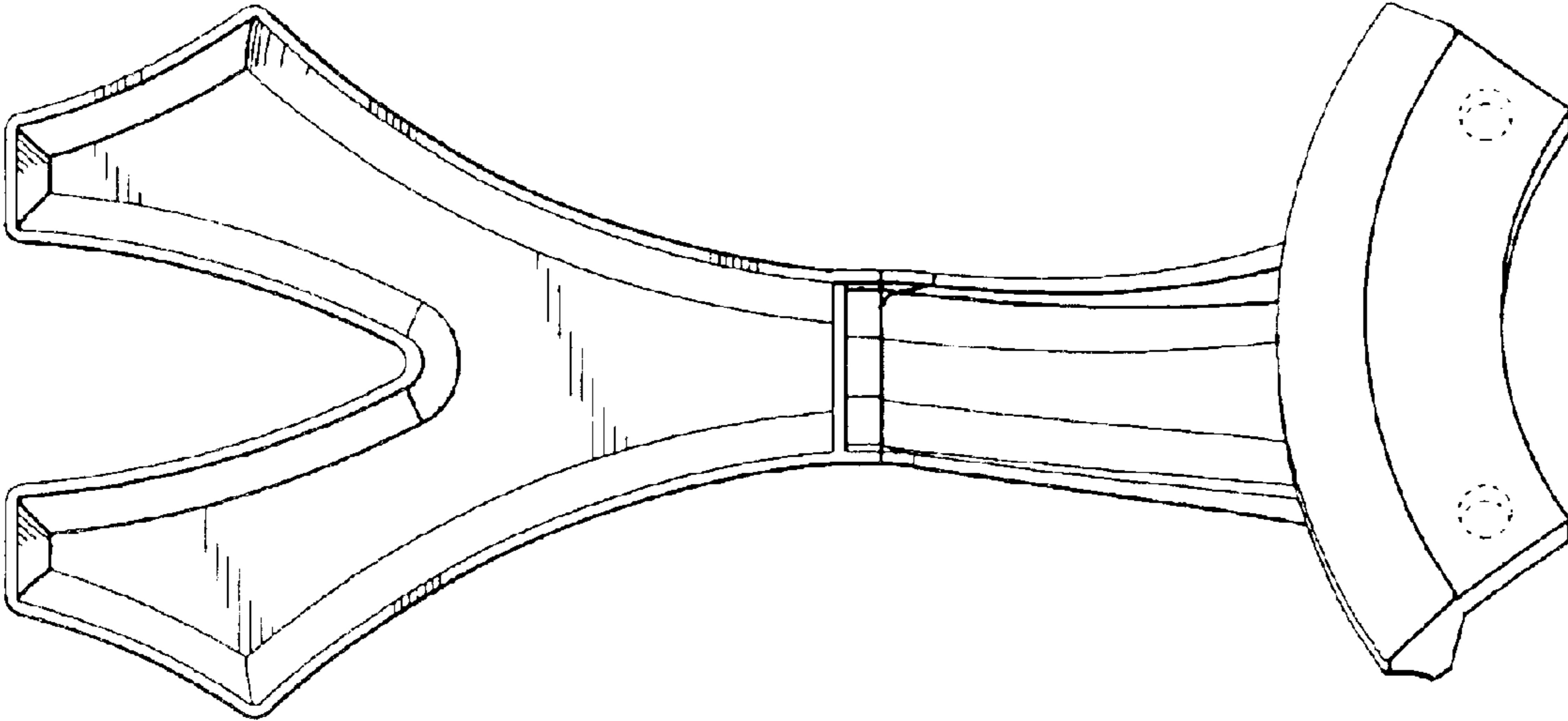


Fig. 4

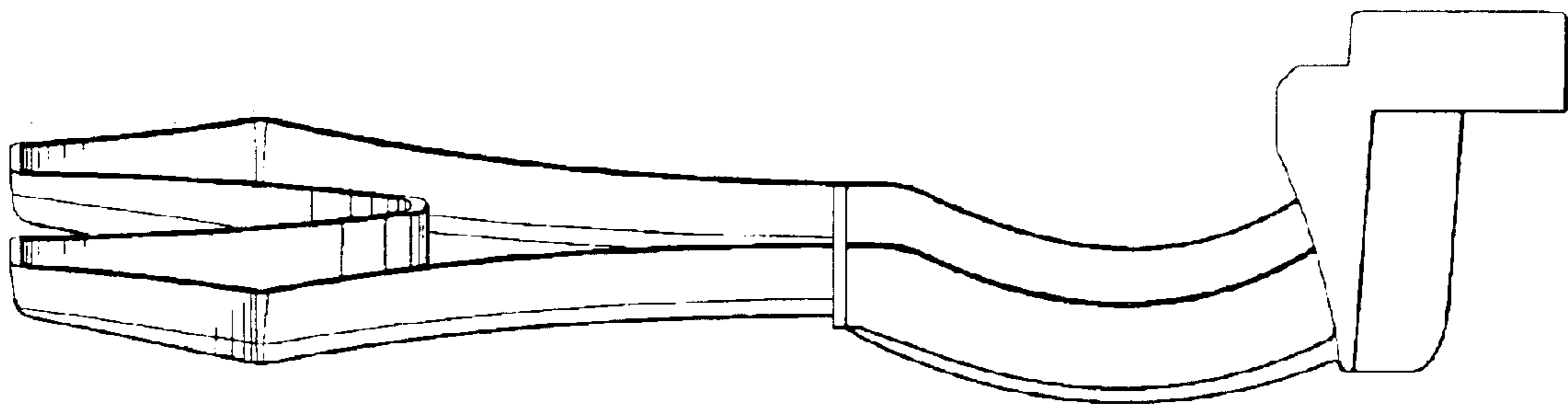


Fig. 5

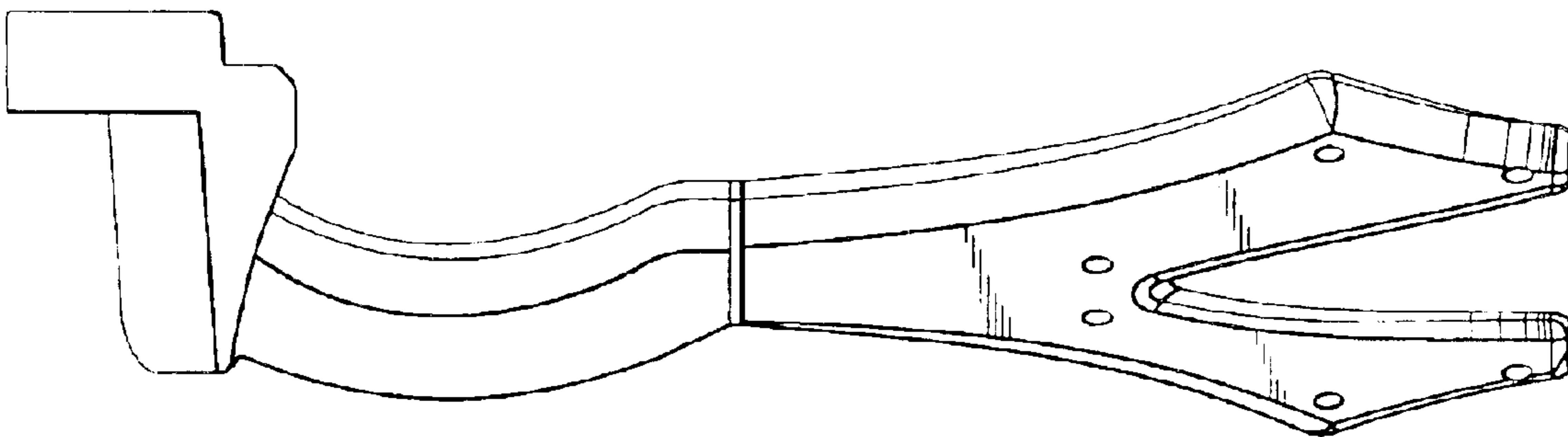


Fig. 6

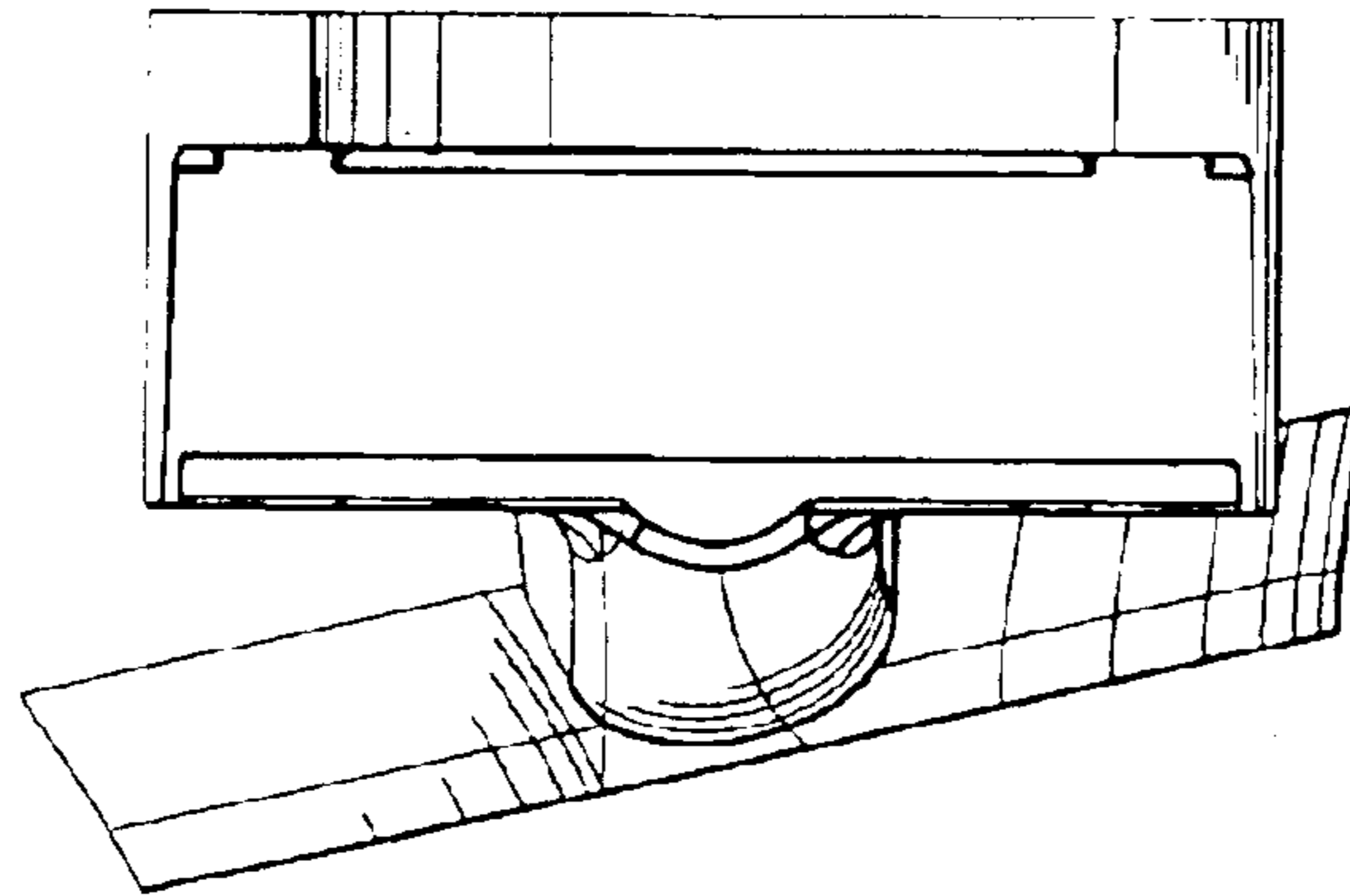


Fig. 7

